



US00D330332S

United States Patent [19]

[11] Patent Number: **Des. 330,332**

Pezzoli et al.

[45] Date of Patent: **** Oct. 20, 1992**

[54] **COMBINED BOTTLE CAP AND DUST COVER**

D. 289,379	4/1987	DeVaughn	D9/454 X
4,170,316	10/1979	La Barbera	D9/445 X
4,235,344	11/1980	Kulle et al. .	
4,934,545	6/1990	Pezzoli et al. .	
4,951,845	8/1990	Pezzoli et al. .	
4,984,700	1/1991	Knickerbocker	215/250 X

[75] Inventors: **Paul A. Pezzoli, Worthington; Elwood L. Stokesbury, Westerville, both of Ohio**

[73] Assignee: **Abbott Laboratories, Abbott Park, Ill.**

Primary Examiner—Bernard Ansher
Assistant Examiner—Dominic Simone
Attorney, Agent, or Firm—Lonnie R. Drayer; Donald O. Nickey

[**] Term: **14 Years**

[21] Appl. No.: **620,596**

[57] **CLAIM**

[22] Filed: **Nov. 30, 1990**

The ornamental design for a combined bottle cap and dust cover, as shown.

[52] U.S. Cl. **D9/435; D9/445; D9/453**

DESCRIPTION

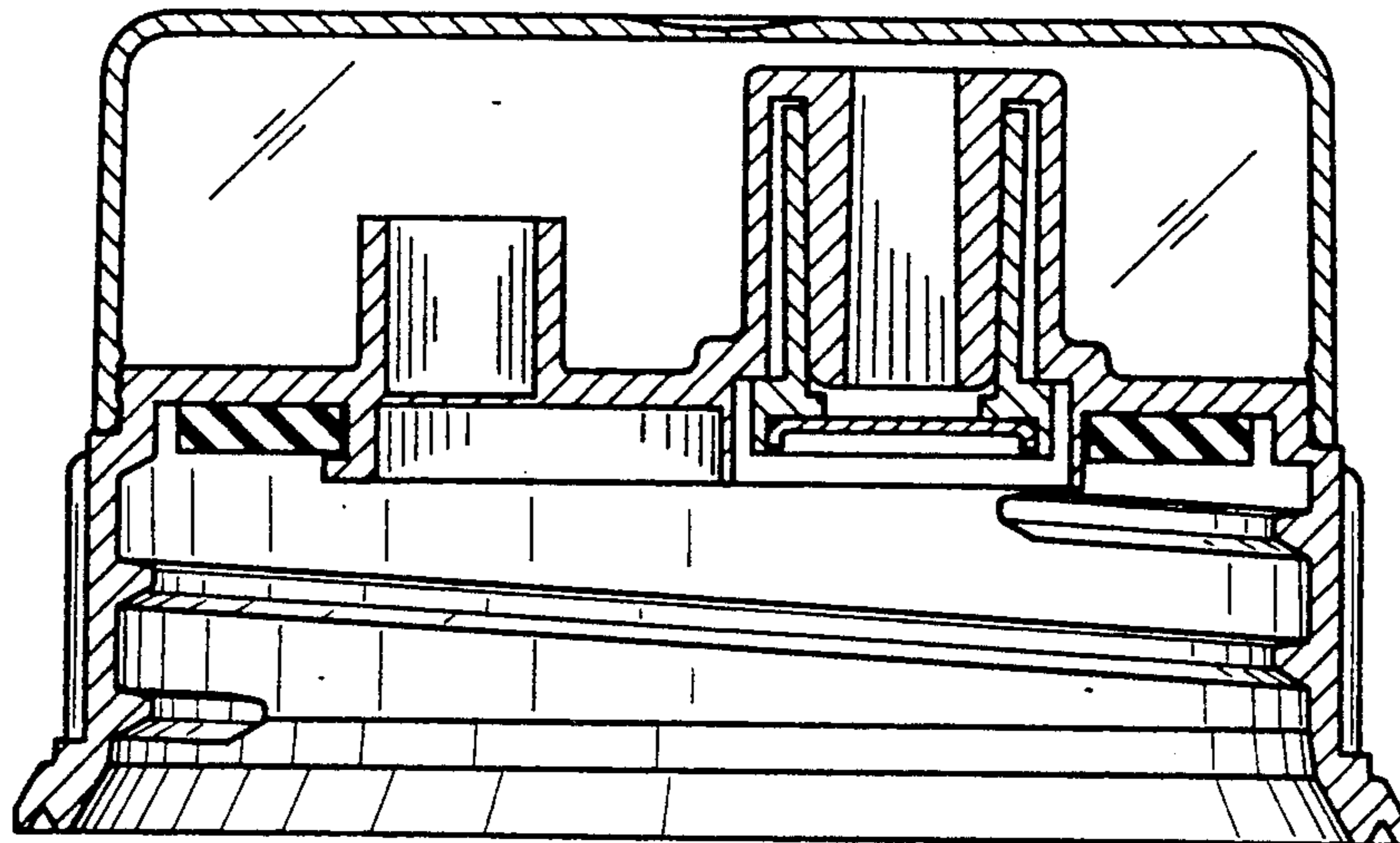
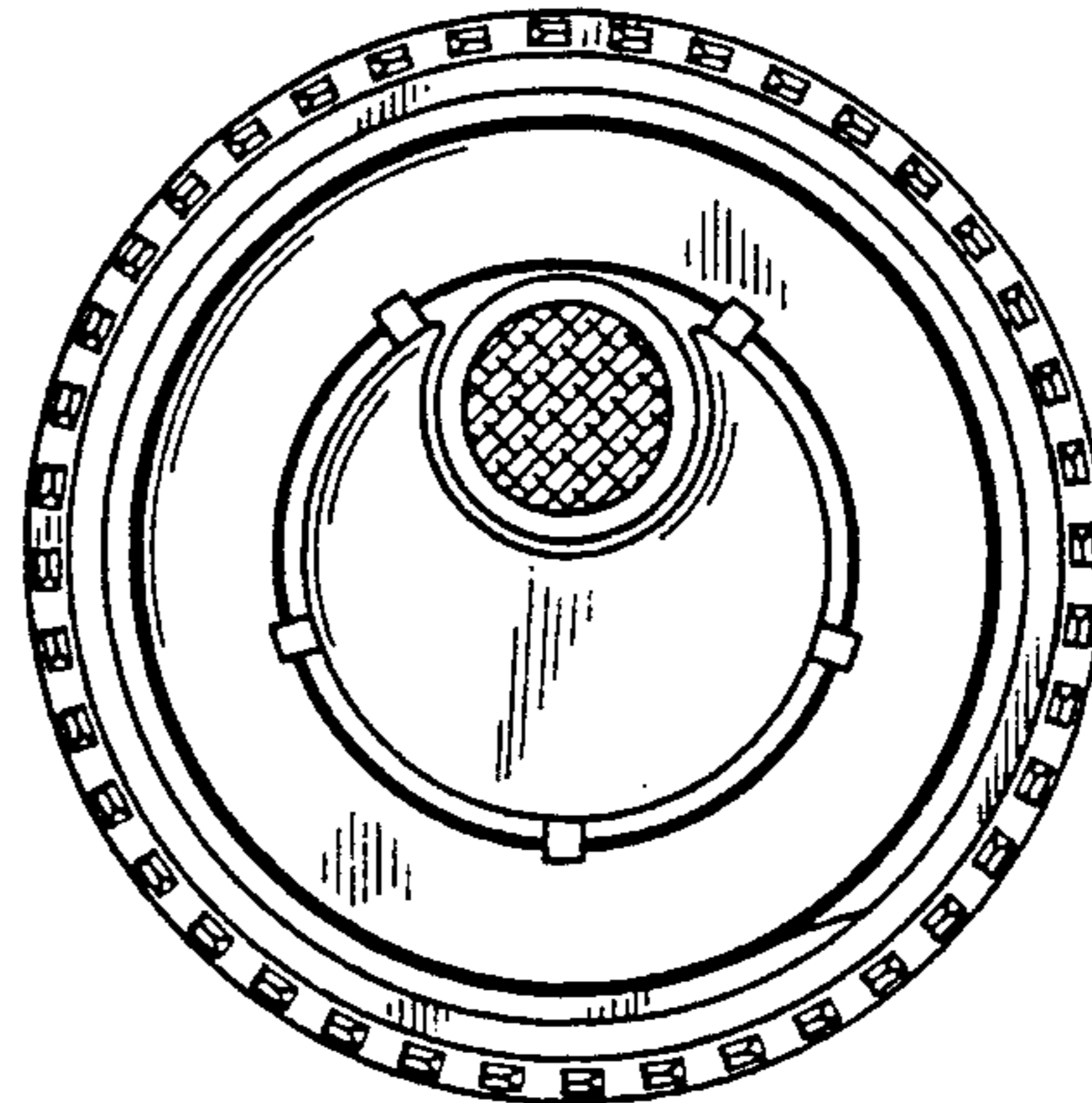
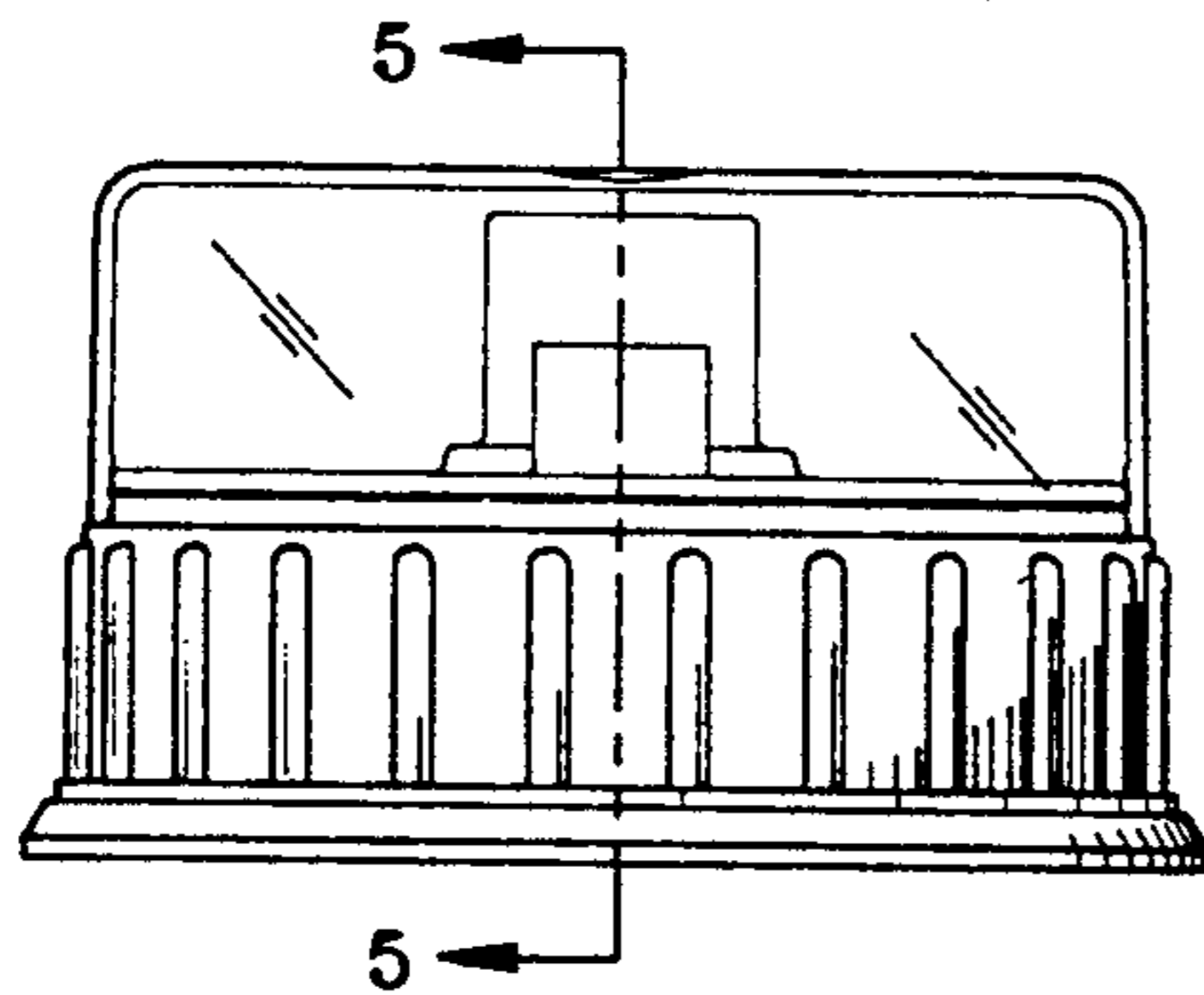
[58] Field of Search **D9/435, 445, 448, 453, D9/452; 215/250, 252-253, 334, 339, 340**

FIG. 1 is a top plan view of a combined bottle cap and dust cover showing our new design;
FIG. 2 is a front elevation view thereof;
FIG. 3 is a side elevation view thereof;
FIG. 4 is a bottom plan view thereof; and,
FIG. 5 is an enlarged cross-sectional view thereof, taken in the direction of the arrows along line 5—5 of FIG. 2.

[56] **References Cited**

U.S. PATENT DOCUMENTS

D. 171,280	1/1954	Juengling	D9/452
D. 268,650	4/1983	Kustine	D9/453 X
D. 274,499	7/1984	Soos	D9/445 X



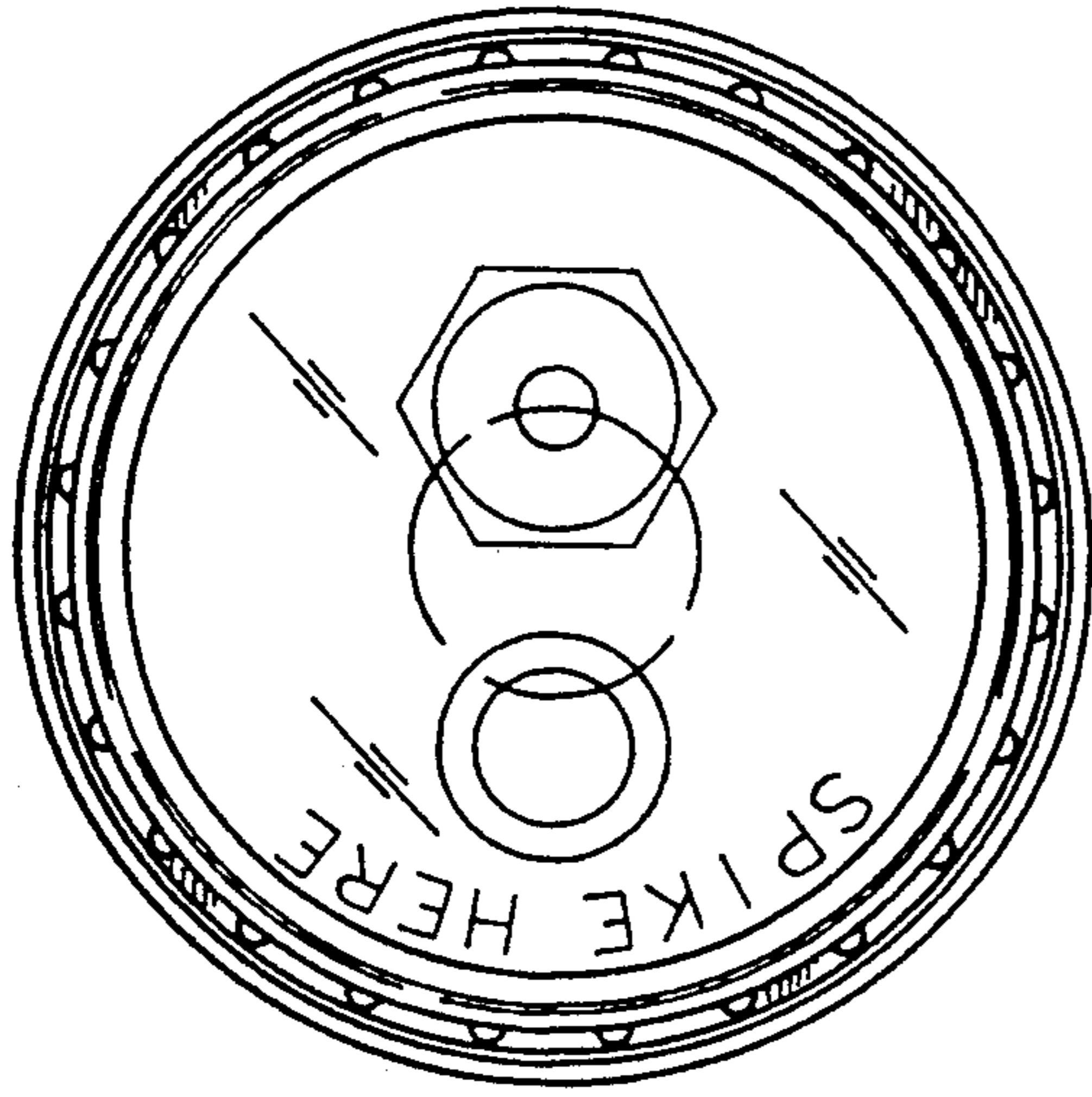


FIG-1

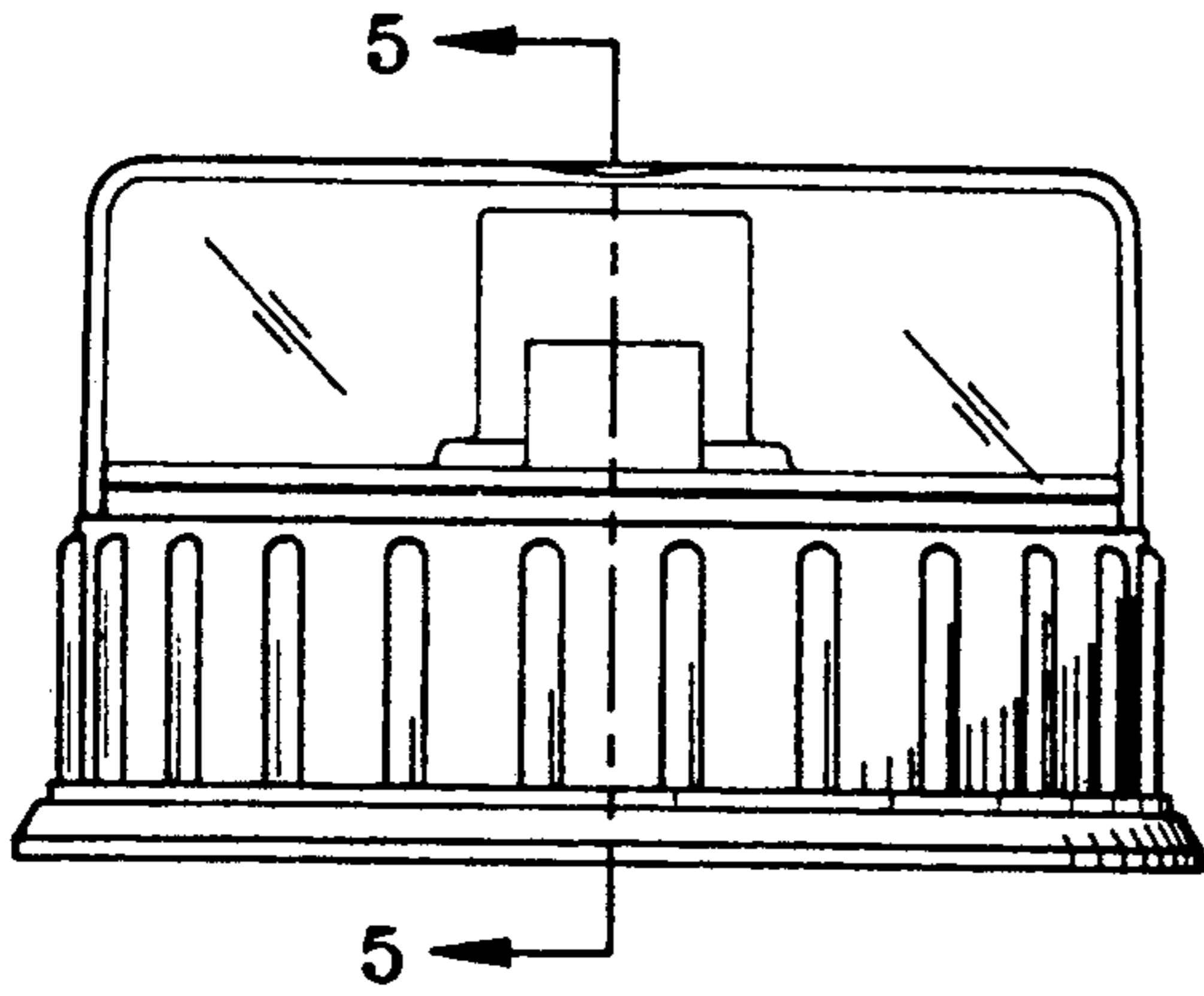


FIG-2

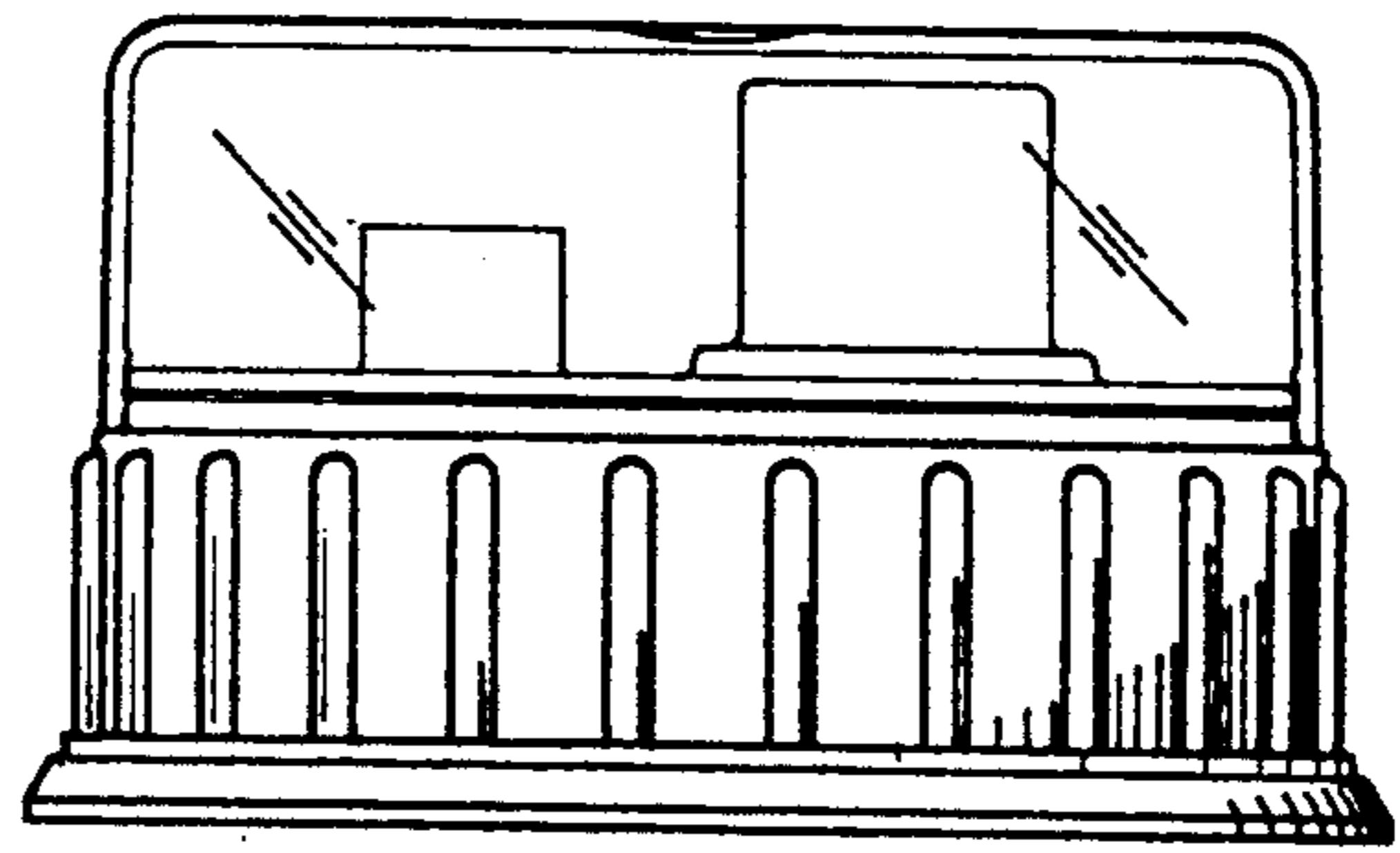


FIG-3

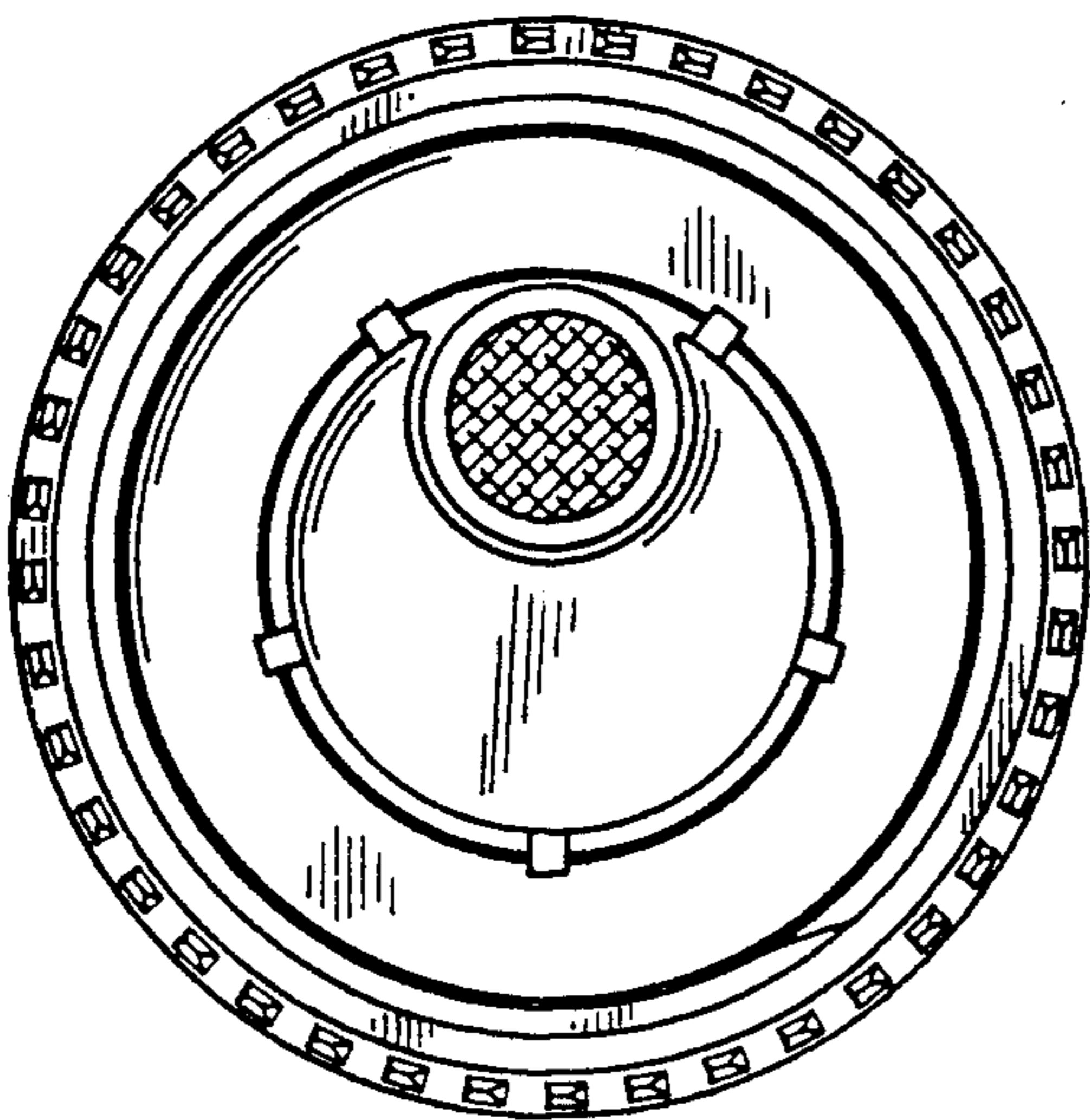


FIG-4

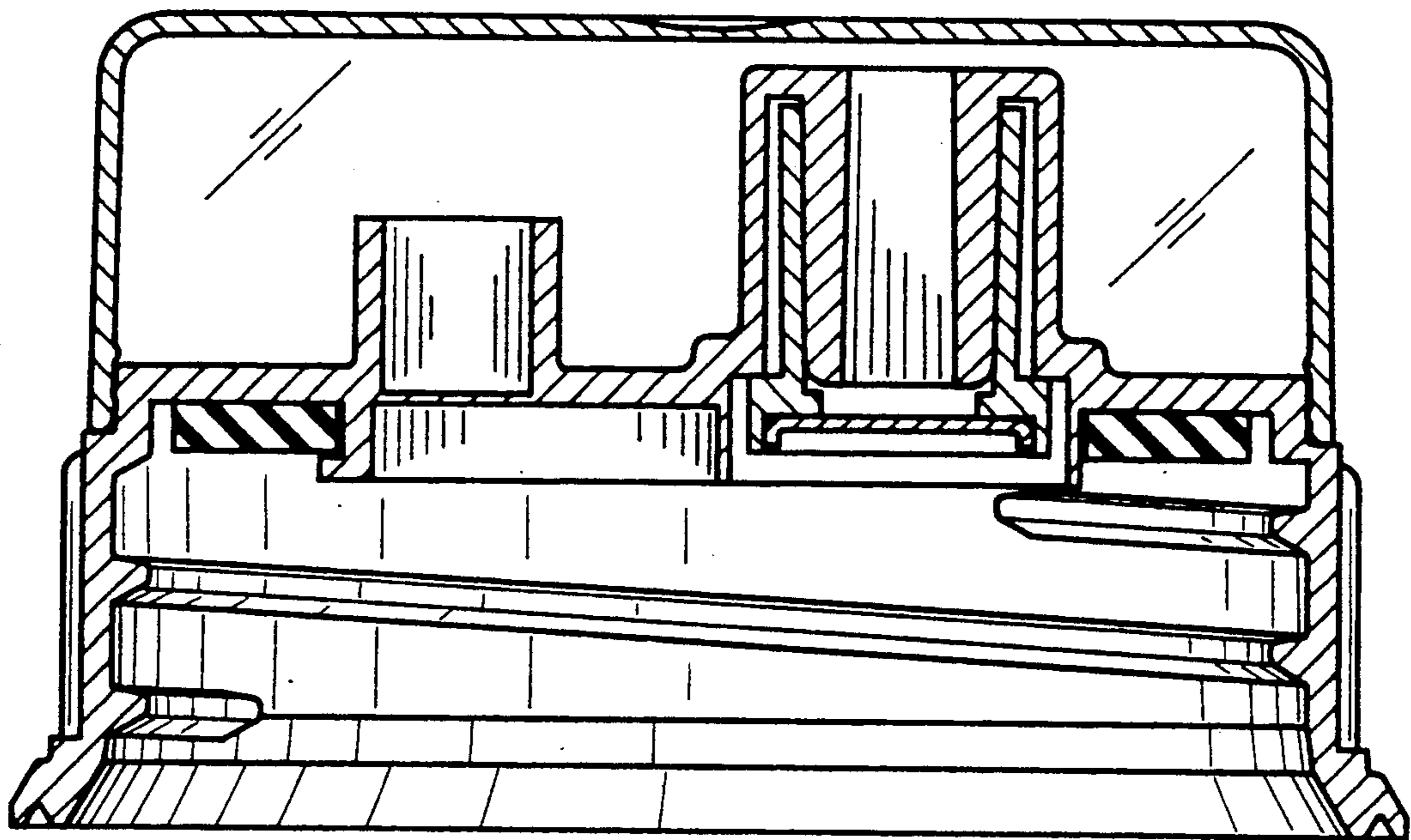


FIG-5