



US00D330328S

United States Patent [19]

DiSesa, Jr.

[11] Patent Number: Des. 330,328

[45] Date of Patent: ** Oct. 20, 1992

[54] STORAGE CONTAINER

[75] Inventor: Frank J. DiSesa, Jr., Lunenburg, Mass.

[73] Assignee: Tucker Housewares, Inc., Leominster, Mass.

[**] Term: 14 Years

[21] Appl. No.: 481,371

[22] Filed: Feb. 15, 1990

[52] U.S. Cl. D9/420; D9/425; D34/43

[58] Field of Search D9/420-423, D9/424, 425; D34/40-46; 206/501, 508, 503, 510, 515, 518; 220/4 C, 4 D, 9.2

[56] References Cited

U.S. PATENT DOCUMENTS

D. 239,695	4/1976	Fier, Jr.	D9/425
D. 286,937	11/1986	Schifer	D34/43
2,897,999	8/1959	Bishop	206/508 X
3,282,462	11/1966	Box	206/508 X
3,379,341	4/1968	Miles .	
3,512,696	5/1970	Ebert .	
3,860,309	1/1975	Brendgard .	
3,998,327	12/1976	Box	256/508
4,523,692	6/1985	Lemkin .	

4,588,086	5/1986	Coe .	
4,620,644	11/1986	Miller	206/508 X
4,718,552	1/1988	Rossi et al. .	
4,767,003	8/1988	Rice et al. .	
4,789,075	12/1988	Sun	206/508 X
5,038,937	8/1991	DiSesa, Jr. .	

FOREIGN PATENT DOCUMENTS

1401306 4/1965 France .

OTHER PUBLICATIONS

Lewisystems Cat Jan. 1983, p. 26 as shown.

Primary Examiner—Melvin B. Feifer
Assistant Examiner—Prabhakar Deshmukh
Attorney, Agent, or Firm—Darby & Darby

[57] CLAIM

The ornamental design for a storage container, as shown and described.

DESCRIPTION

FIG. 1 is a perspective view of a storage container showing my new design;
FIG. 2 is a top plan view thereof;
FIG. 3 is a right side elevational view thereof; the left side elevational view being a mirror image thereof;
FIG. 4 is a front elevational view thereof;
FIG. 5 is a rear elevational view thereof; and,
FIG. 6 is a bottom plan view thereof.

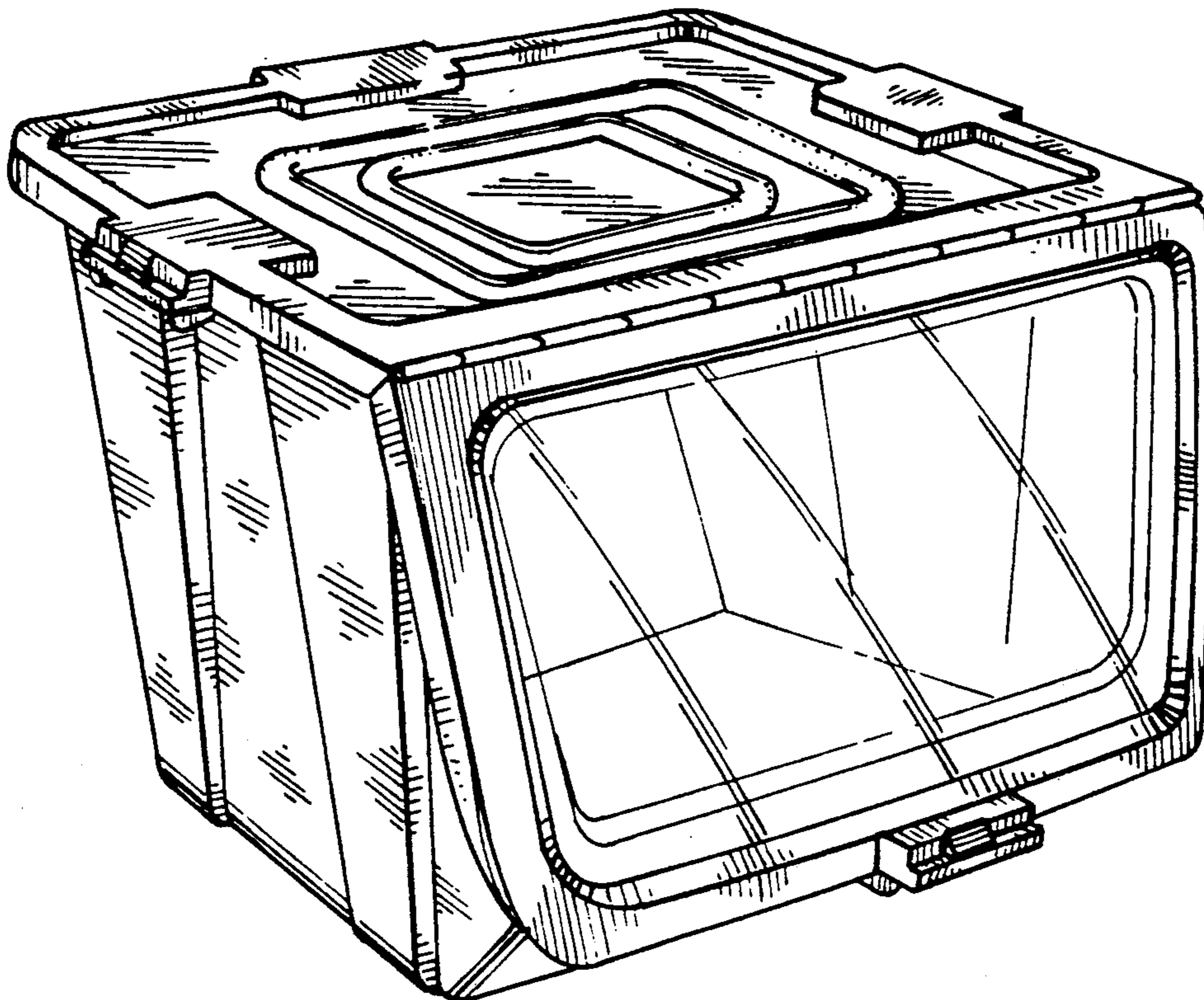


FIG. 1

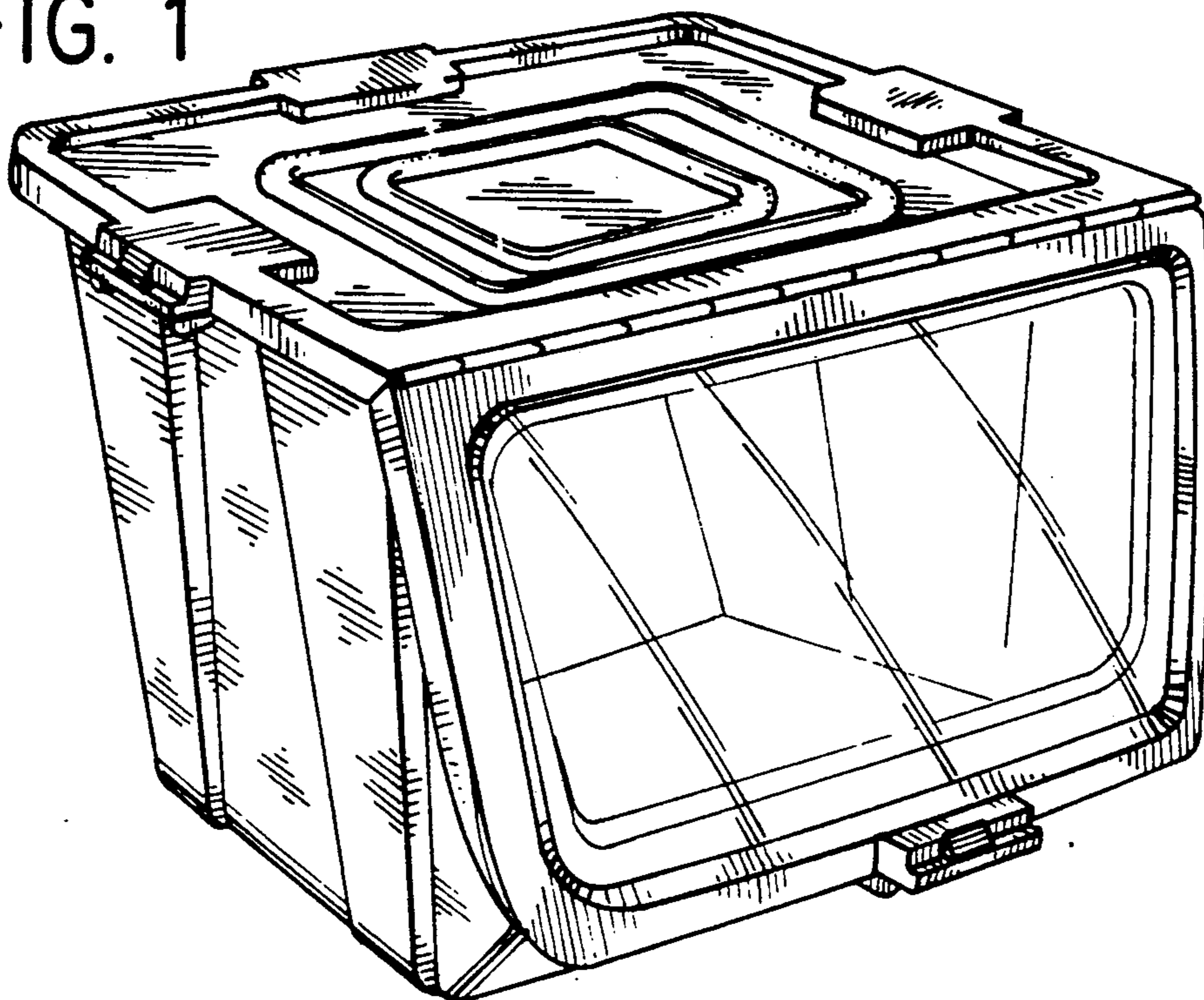


FIG. 2

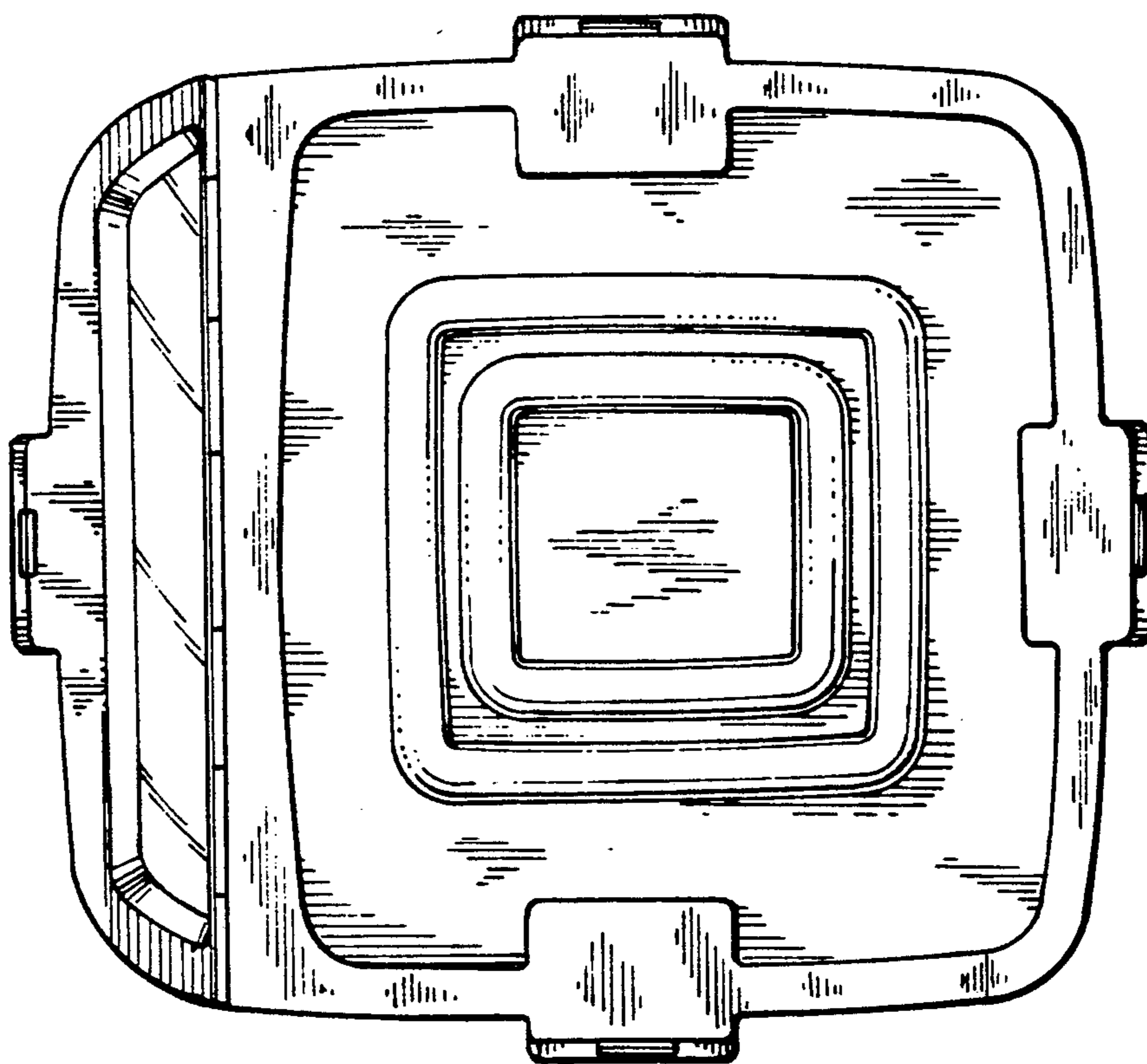


FIG. 3

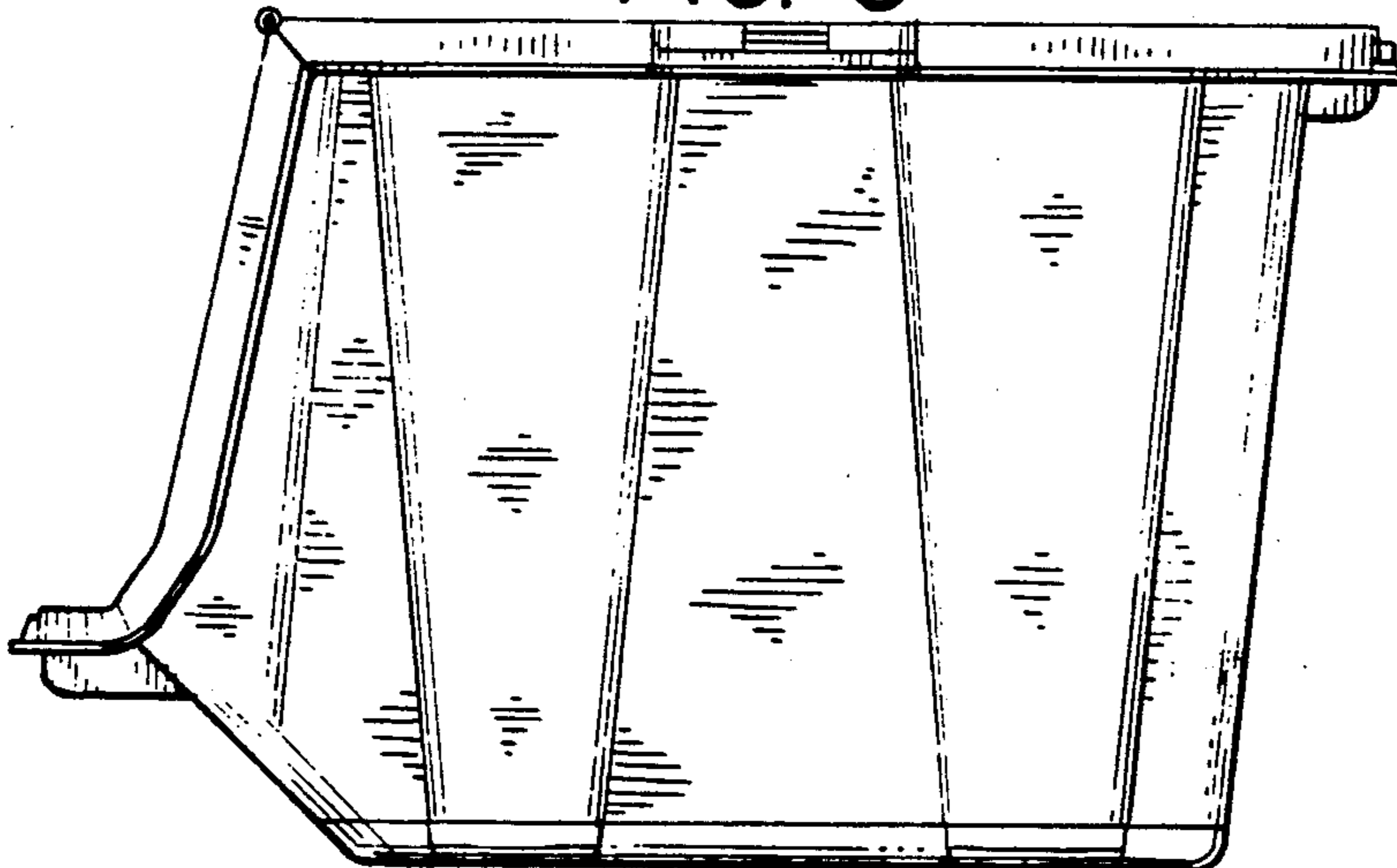


FIG. 4

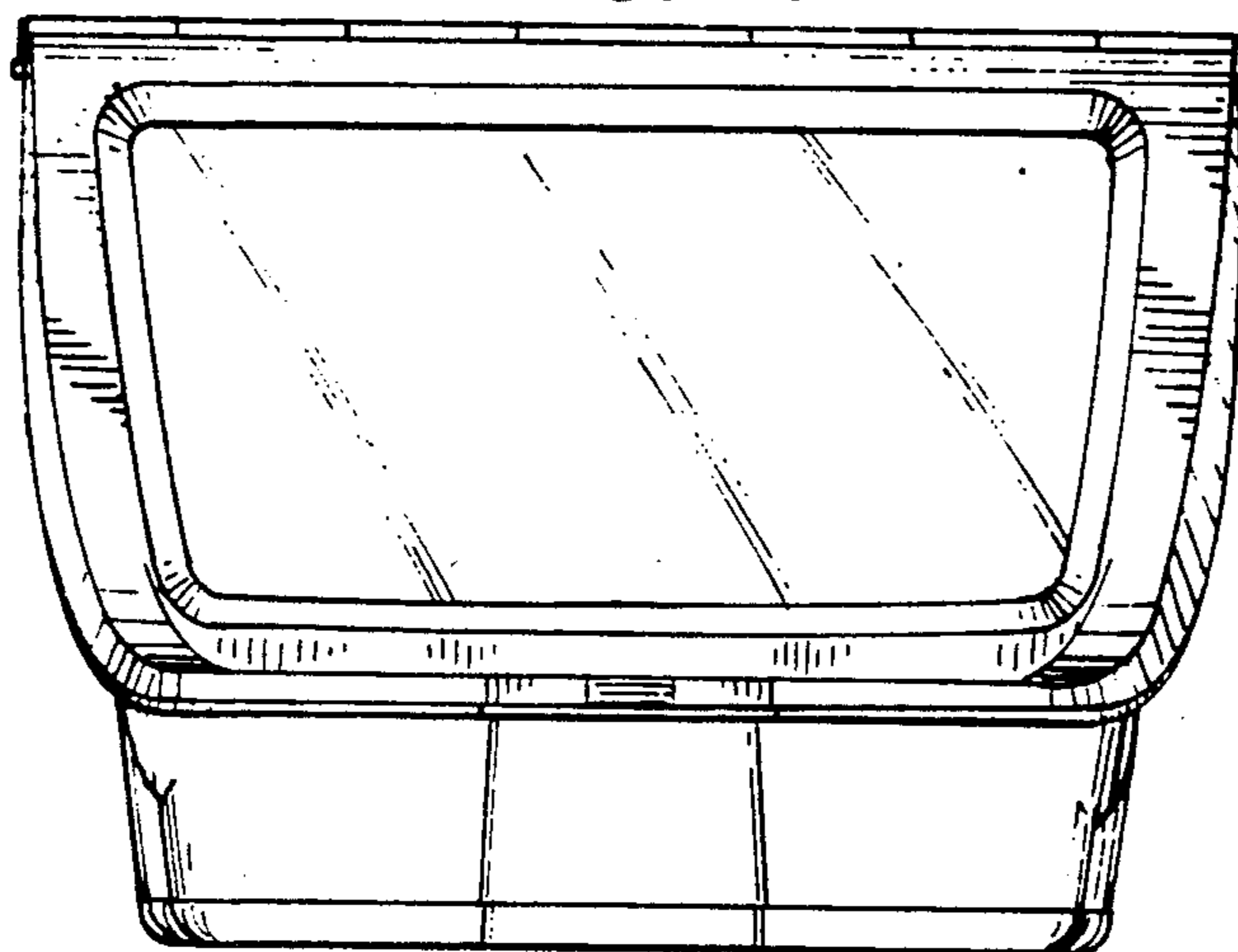


FIG. 5

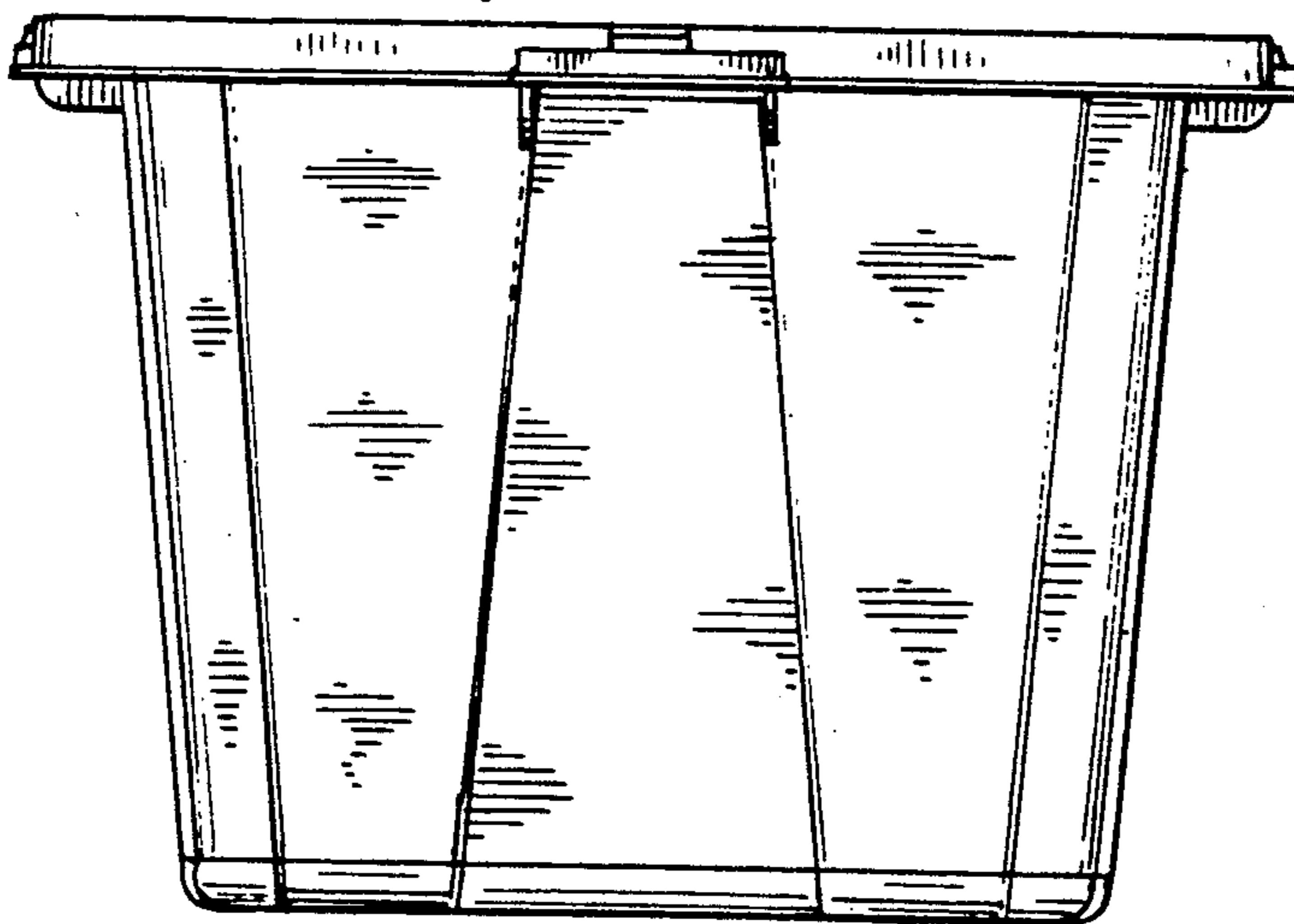


FIG. 6

