



US00D330324S

United States Patent [19]

[11] Patent Number: **Des. 330,324**

Solbeck

[45] Date of Patent: **** Oct. 20, 1992**

[54] FLEXIBLE STRAP FOR FASTENING A TARPAULIN TO A SCAFFOLDING

4,576,664	3/1986	Dalahunty	248/499
4,580,319	4/1986	Paradis	24/30.5 P
4,792,016	12/1988	Ingalsbe et al.	182/107

[75] Inventor: Peter Solbeck, Rungsted Strandvej, Denmark

FOREIGN PATENT DOCUMENTS

[73] Assignee: Polysheet A/S, Herlev, Denmark

0310850	9/1988	European Pat. Off.
2326958	5/1973	Fed. Rep. of Germany
3204654	8/1983	Fed. Rep. of Germany

[**] Term: 14 Years

OTHER PUBLICATIONS

[21] Appl. No.: 586,012

PCT International Patent Classification⁴: F16B 5/00,2/08,E04G 21/28; International Publ. No. WO 88/04368; International Publ. Date: Jun. 16, 1988.

[22] Filed: Sep. 20, 1990

[30] Foreign Application Priority Data

Mar. 27, 1990	[DK]	Denmark	377/90
Sep. 17, 1990	[DK]	Denmark	1106/90

[52] U.S. Cl. D8/394; D25/68

[58] Field of Search D25/66, 68; D34/28, D34/33, 35; 182/3, 5, 6, 8-10, 137-140, 107, 221, 133; 248/499; D8/44, 356, 394, 396; 24/114.5, 115 M, 163 R, 454, 522, 265 A, 265 R, DIG. 16, 16 PB, 30.5 P

Primary Examiner—A. Hugo Word
Assistant Examiner—Doris Clark
Attorney, Agent, or Firm—Beveridge, DeGrandi & Weilacher

[56] References Cited

U.S. PATENT DOCUMENTS

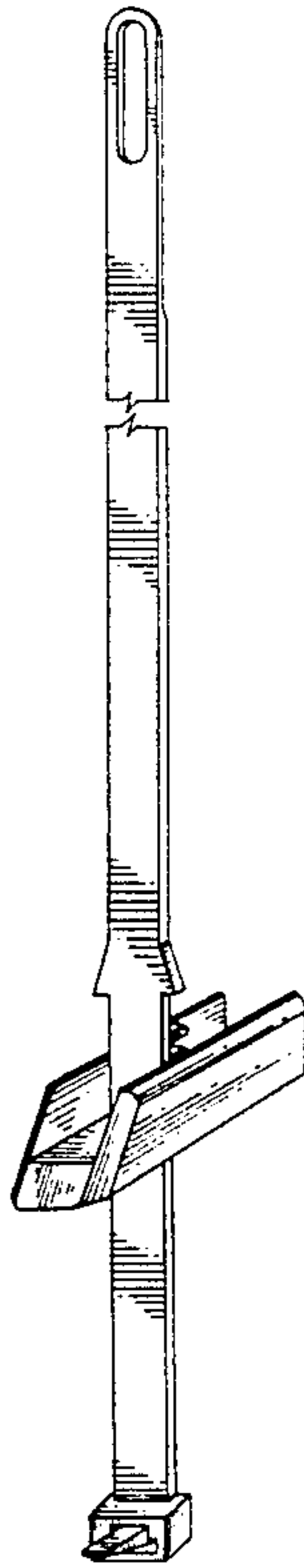
D. 224,960	10/1972	Wilson	D8/394
D. 280,974	10/1985	Ruetsch	D8/396
2,933,157	4/1960	Huber	182/133
4,008,669	2/1977	Sumrell	248/499
4,347,648	9/1982	Dekkers	24/16 PB
4,413,380	11/1983	Suzuki	24/16 PB
4,470,173	9/1984	Adamson	24/16 PB
4,545,460	10/1985	Byrd	182/107

[57] CLAIM

The ornamental design for a flexible strap for fastening a tarpaulin to a scaffolding, as shown and described.

DESCRIPTION

FIG. 1 is a front perspective view of a flexible strap for fastening a tarpaulin to a scaffolding showing my new design, the strap being broken away in the center to indicate indeterminate length; FIG. 2 is a rear perspective view thereof; FIG. 3 is a perspective view thereof, the bracket partially shown to fully expose the belt; FIG. 4 is a side elevational view thereof; and, FIG. 5 is a front elevational view thereof.



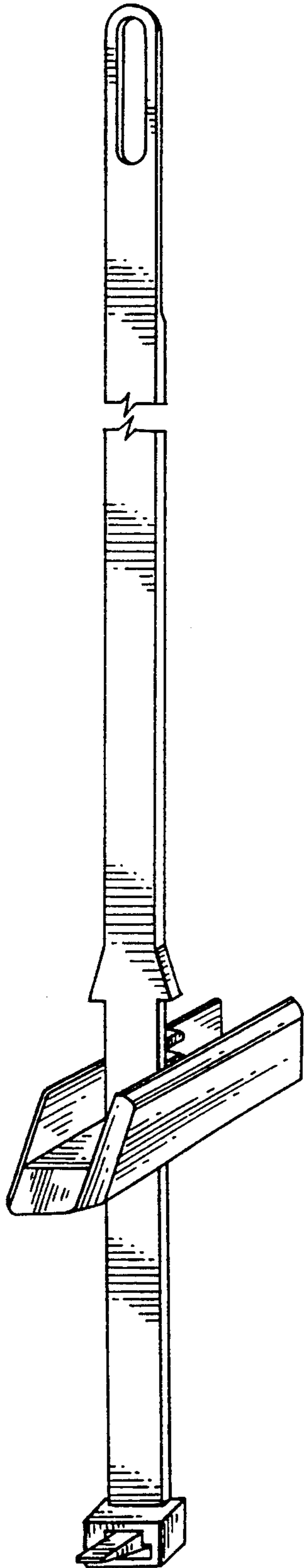


FIG. 1

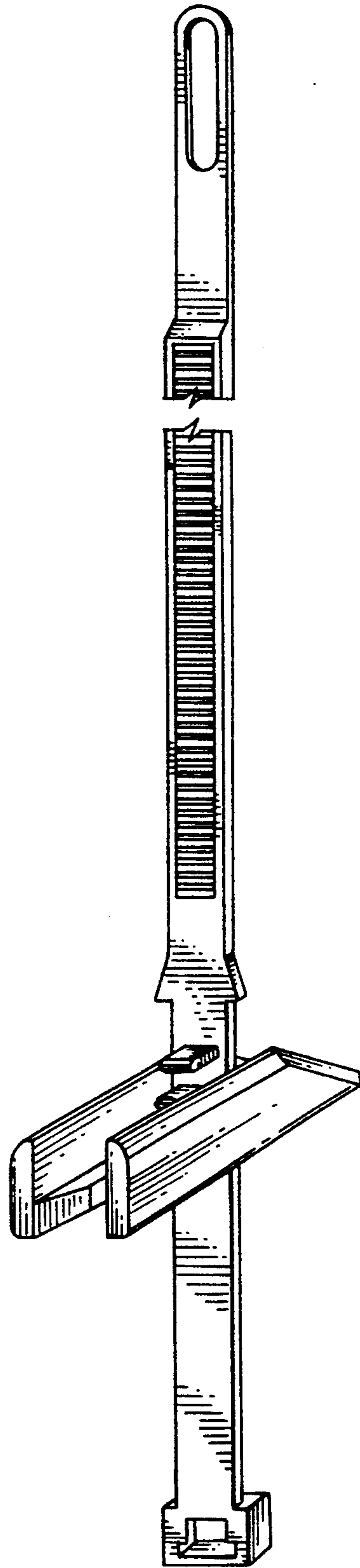


FIG. 2

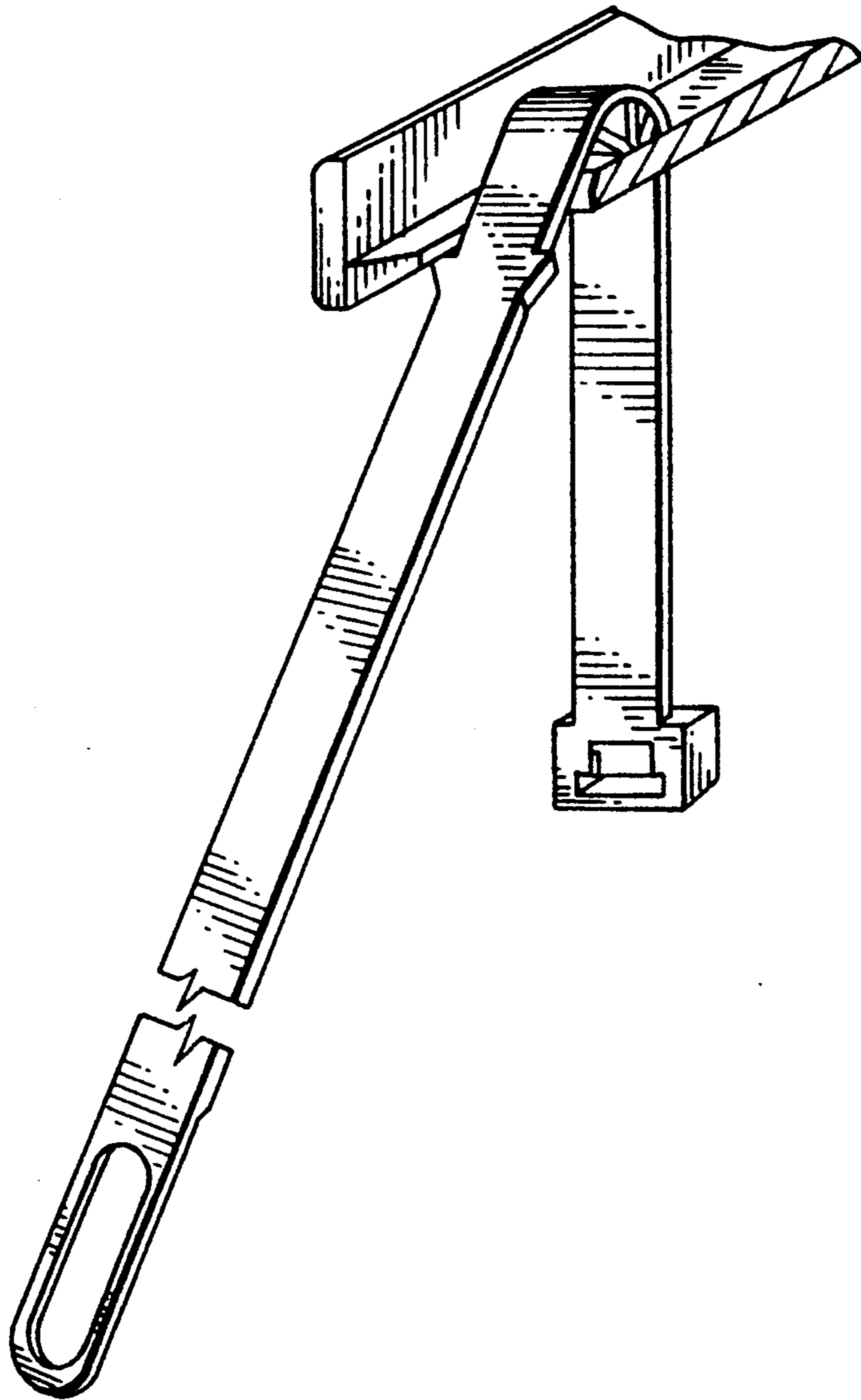


FIG. 3

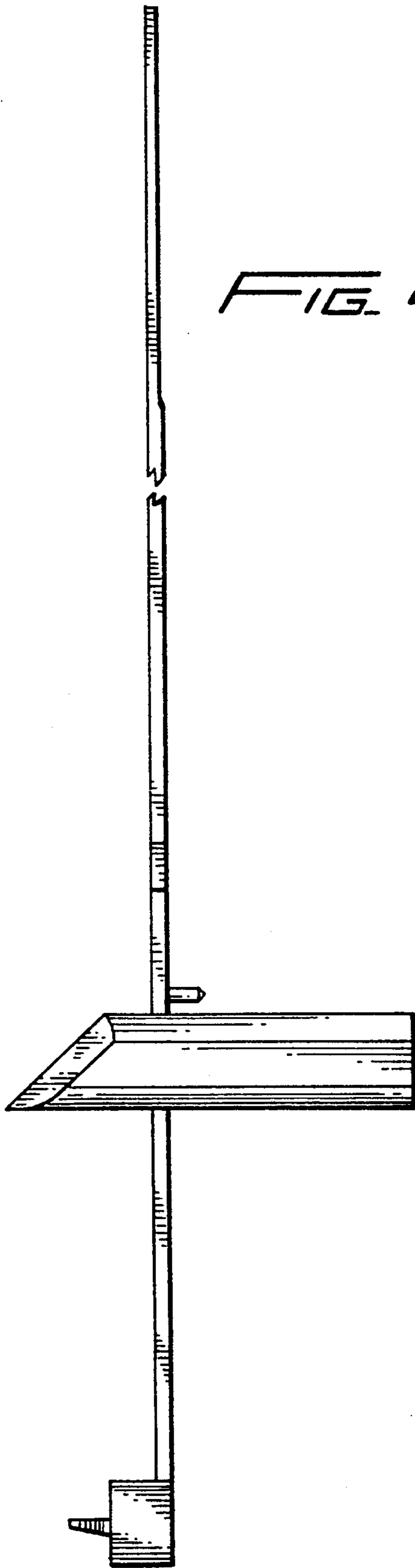


FIG. 4

FIG. 5

