



US00D330323S

# United States Patent [19]

[11] Patent Number: **Des. 330,323**

Hu

[45] Date of Patent: **\*\* Oct. 20, 1992**

[54] CORD HOLDER

[76] Inventor: **Dye-Chung Hu**, P.O. Box 55-1670,  
Taipei, Taiwan

[\*\*] Term: **14 Years**

[21] Appl. No.: **548,743**

[22] Filed: **Jul. 5, 1990**

[52] U.S. Cl. .... **D8/359; D8/358**

[58] Field of Search ..... **D8/358, 359; 242/85.1**

[56] **References Cited**

**U.S. PATENT DOCUMENTS**

D. 228,117	8/1973	Turner	.....	D8/359
4,123,012	10/1978	Hough	.....	D8/385 X
4,778,125	10/1988	Hu	.....	242/85.1

**FOREIGN PATENT DOCUMENTS**

2157263 10/1985 United Kingdom ..... 242/85.1

*Primary Examiner*—Wallace R. Burke

*Assistant Examiner*—H. Baynham

[57] **CLAIM**

The ornamental design for a cord holder, as shown and described.

**DESCRIPTION**

FIG. 1 is a front elevational view of a cord holder showing my new design;

FIG. 2 is a rear elevational view thereof;

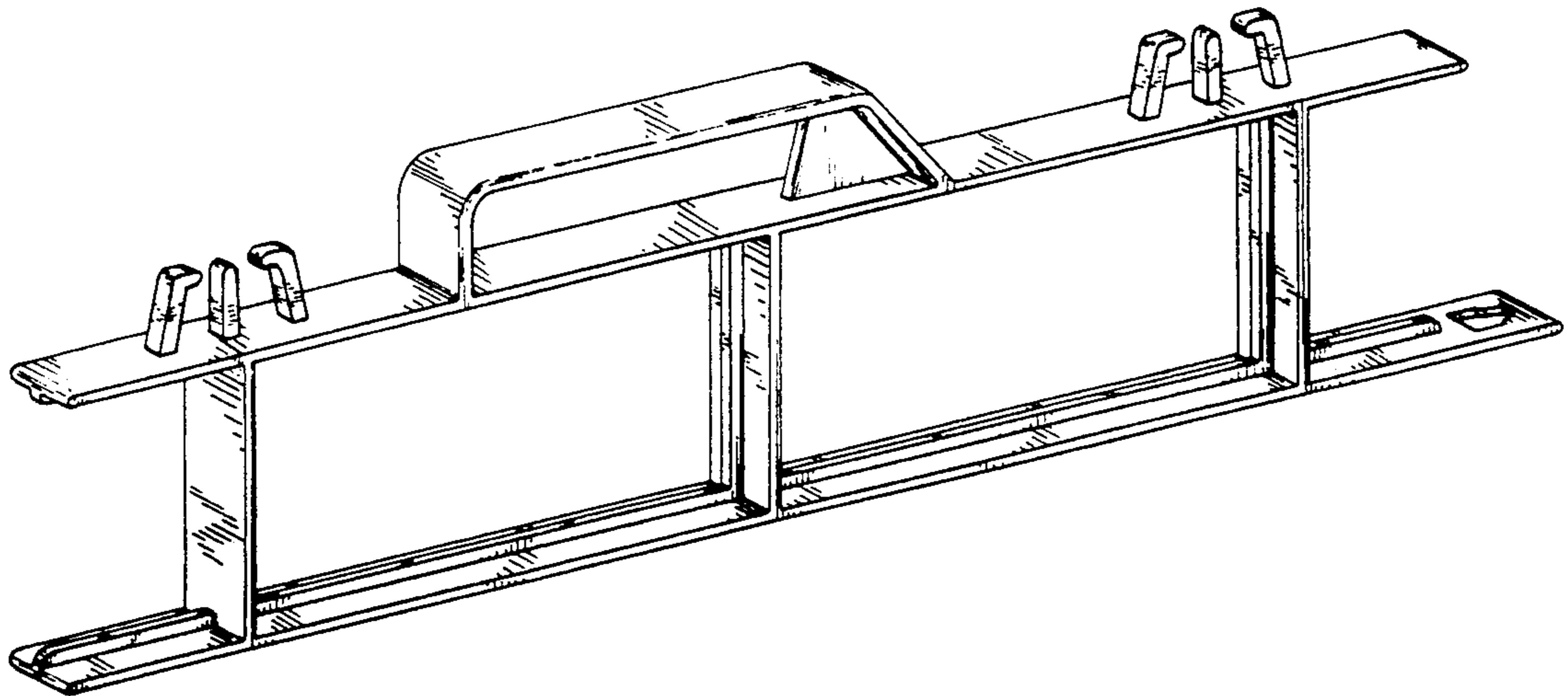
FIG. 3 is a left side elevational view thereof;

FIG. 4 is a right side elevational view thereof;

FIG. 5 is a top plan view thereof;

FIG. 6 is a bottom plan view thereof; and,

FIG. 7 is a perspective view thereof.



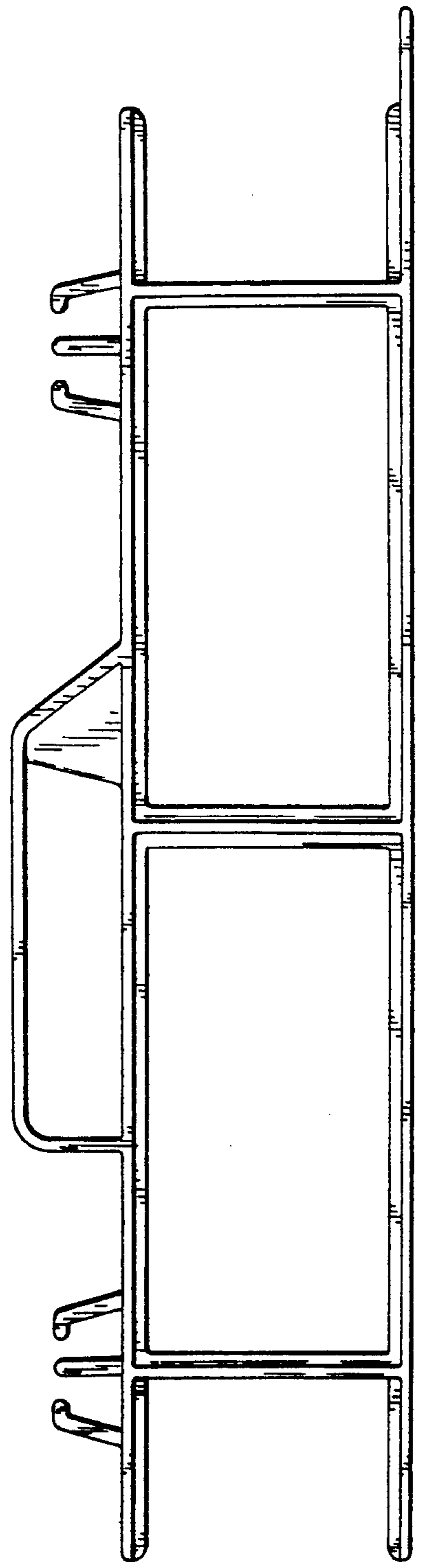


FIG. 1

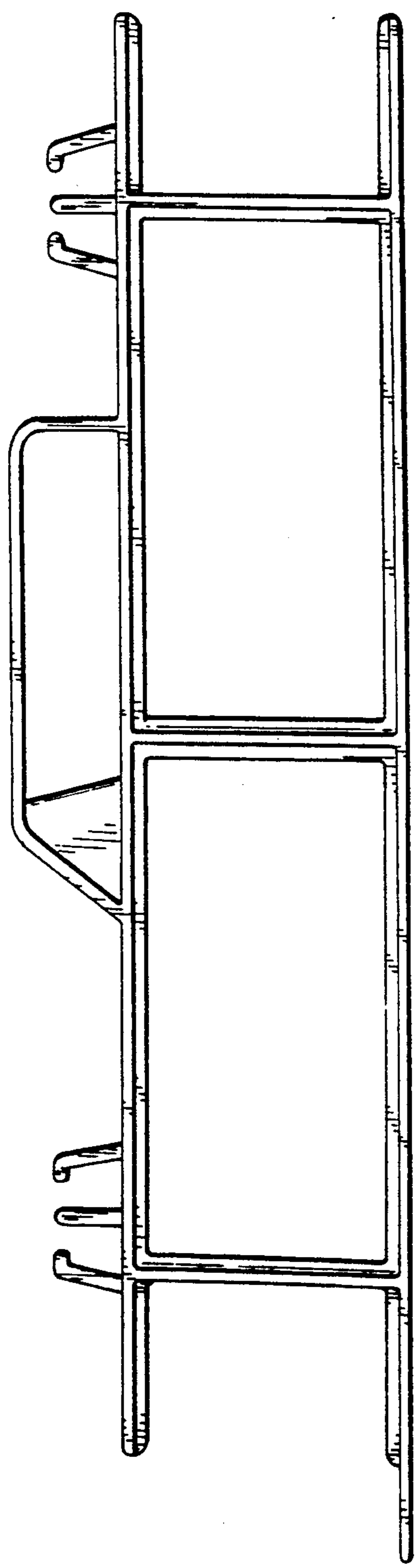


FIG. 2



FIG. 3

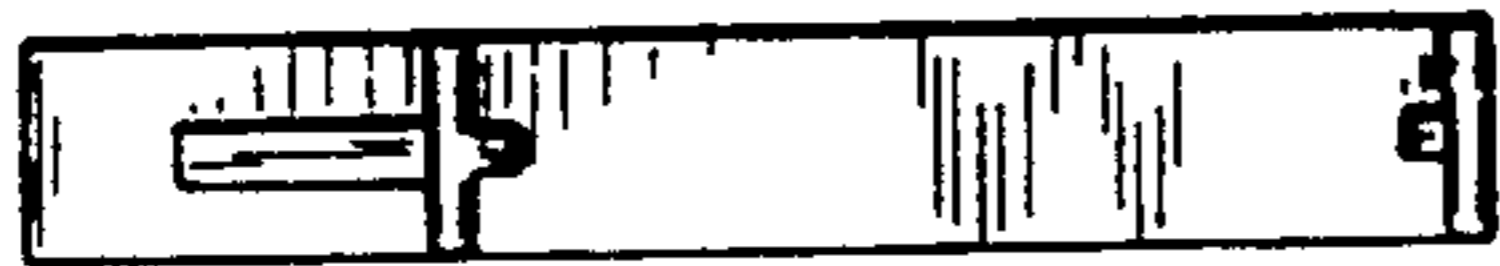


FIG. 4



FIG. 5

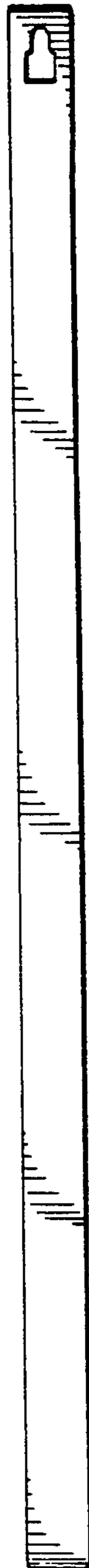


FIG. 6

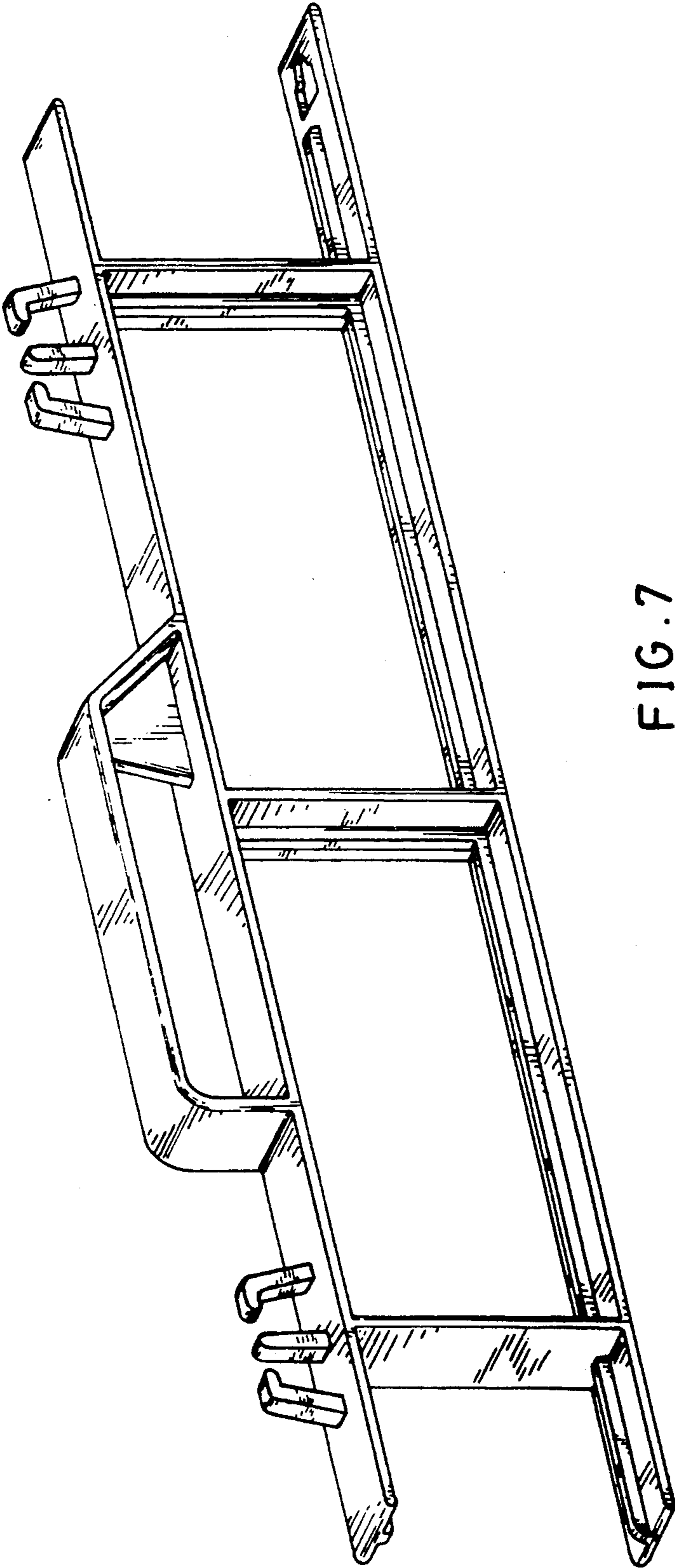


FIG. 7