



US00D330322S

United States Patent [19]

[11] Patent Number: Des. 330,322

Wilson

[45] Date of Patent: ** Oct. 20, 1992

[54] COMBINED HOSE CONTAINER AND LID THEREFOR

1,892,157	12/1932	Maier	47/66
1,959,800	5/1934	Rogge	.	
2,700,847	2/1955	Brasol	47/66
4,330,005	5/1982	Kjarsgaard	.	
4,481,733	11/1984	Jacobs	.	

[76] Inventor: James Wilson, 113 Hancock La., Greer, S.C. 29650

[**] Term: 14 Years

OTHER PUBLICATIONS

[21] Appl. No.: 511,533

Encyclopedia of Crafts, 1978, p. 2323, patch work design, item A at left of page.

[22] Filed: Apr. 20, 1990

Primary Examiner—Wallace R. Burke

[52] U.S. Cl. D8/356

Assistant Examiner—H. Baynham

[58] Field of Search 137/355.28; 248/75, 248/89; 242/86, 96, 129; D23/266; 47/66, 79, 48.5; D11/151; D8/1

Attorney, Agent, or Firm—Terry M. Gernstein

[57] CLAIM

[56] References Cited

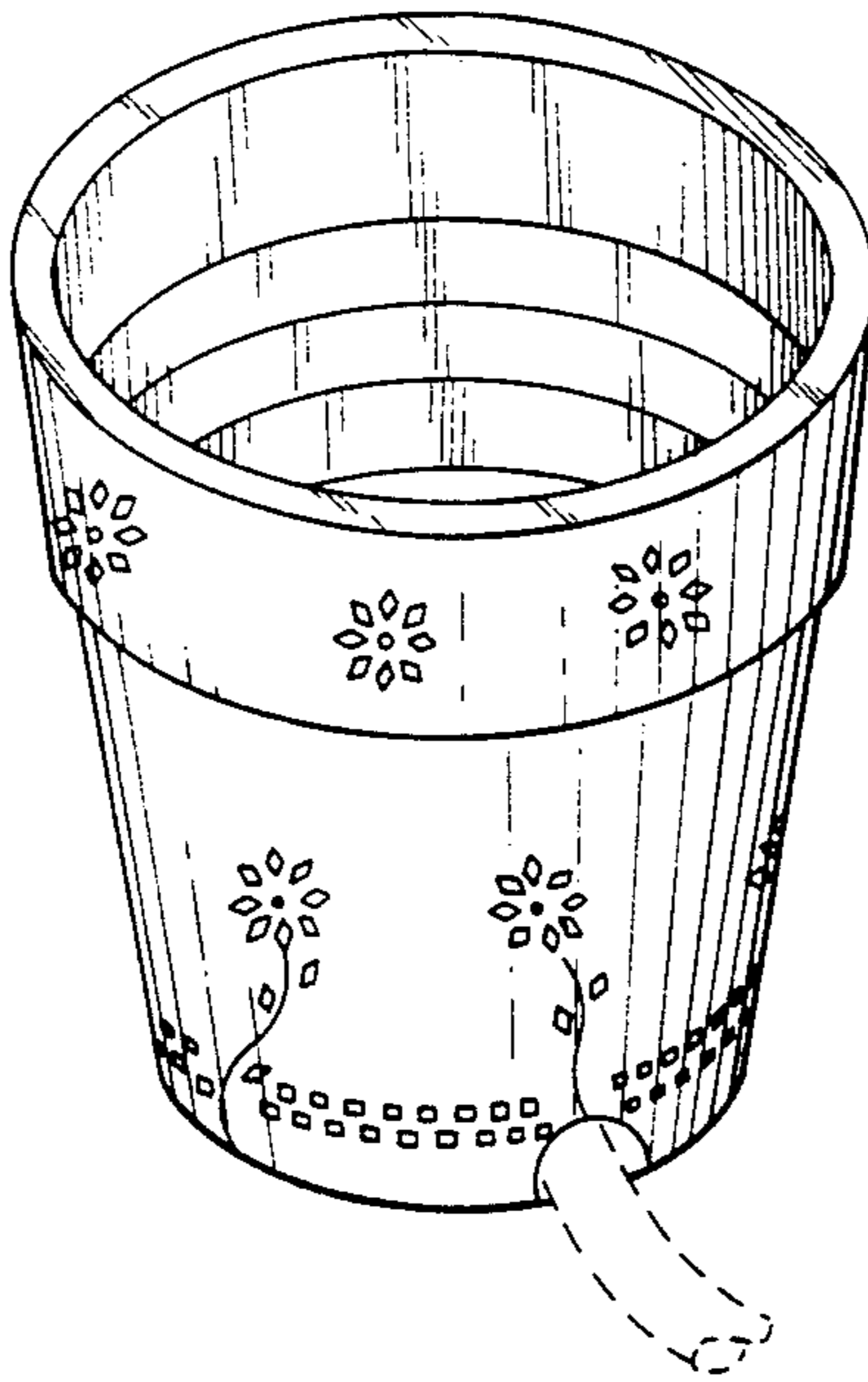
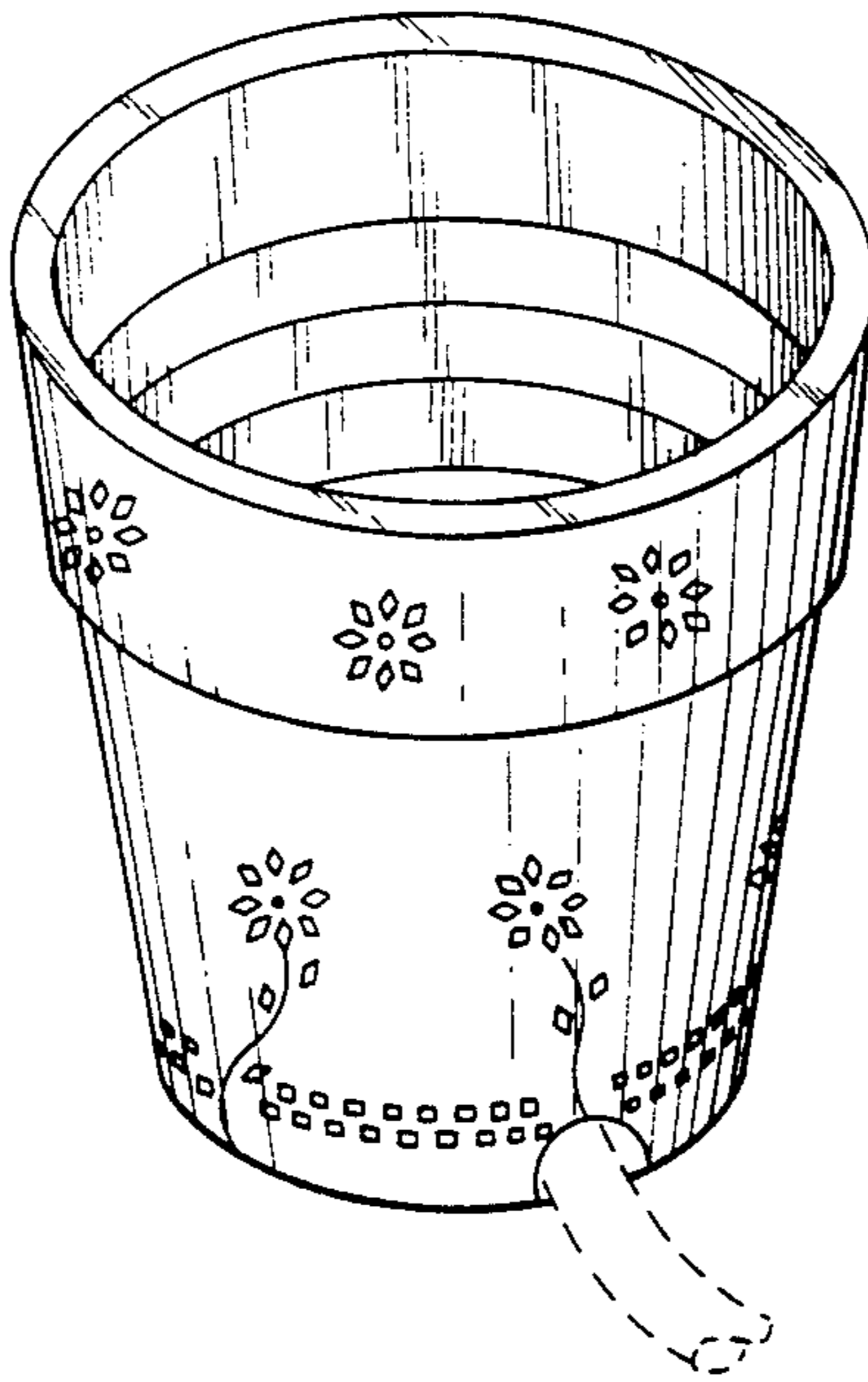
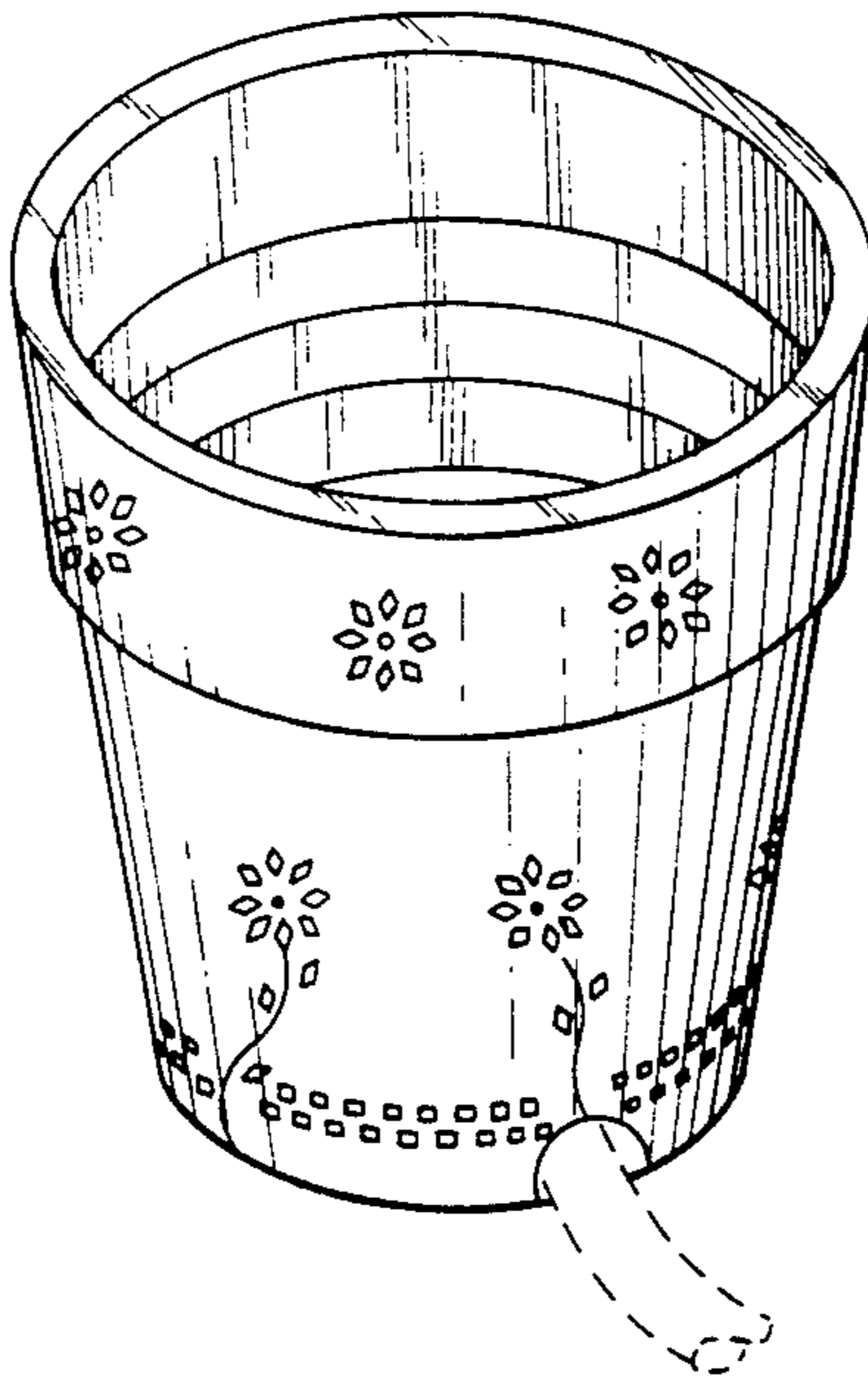
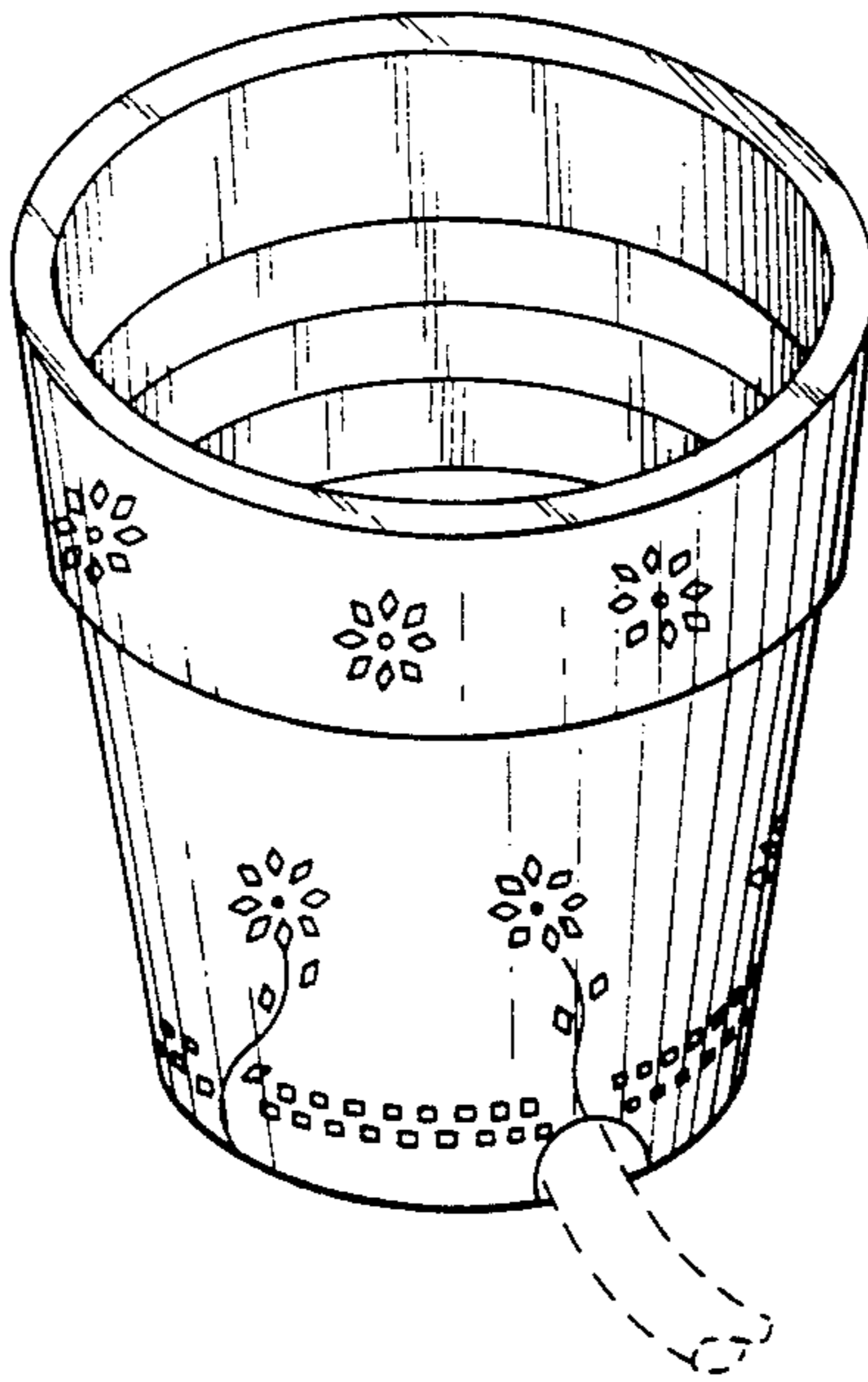
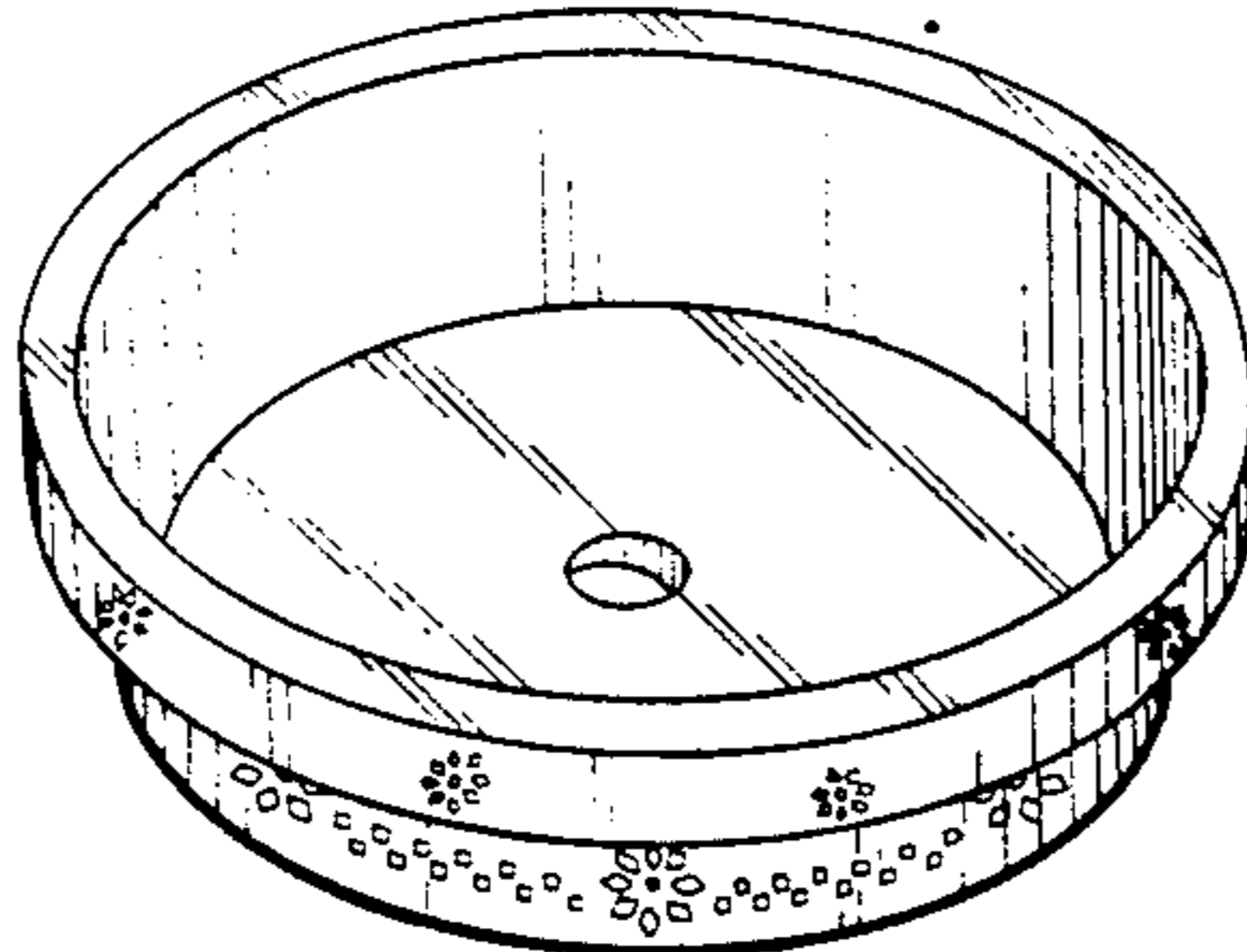
The ornamental design for a combined hose container and lid therefor, as shown and described.

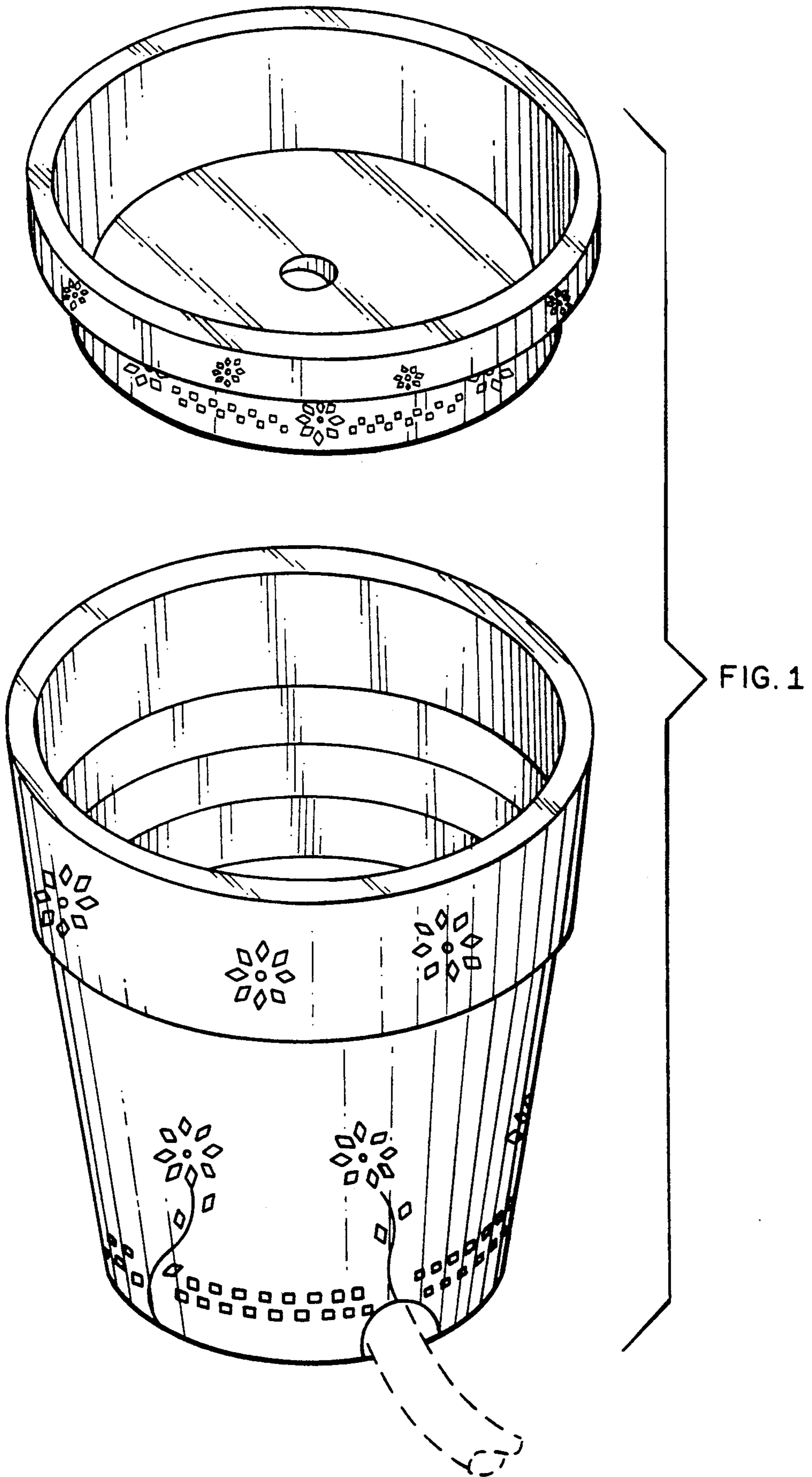
U.S. PATENT DOCUMENTS

DESCRIPTION

19,280	8/1889	Whilldin	47/66 X
D. 50,221	1/1917	Smith	D11/151
D. 196,120	8/1963	Roop	D11/151
D. 245,155	7/1977	Harshman et al.	D11/151 X
D. 260,134	8/1981	Bercu	D8/356 X
D. 287,346	12/1986	Bussell	D11/151
1,532,177	4/1925	Gist	248/89
1,689,418	10/1928	Young	D11/143 X
1,710,878	4/1929	Kelso	47/66

FIG. 1 is an exploded perspective view of a combined hose container and lid therefor showing my new design; FIG. 2 is a bottom plan view of the hose container lid; FIG. 3 is a bottom plan view of the hose container; FIG. 4 is a top plan view of the lid; and, FIG. 5 is a top plan view of the hose container. The broken line showing of a hose is for illustrative purposes only and forms no part of the claimed design.





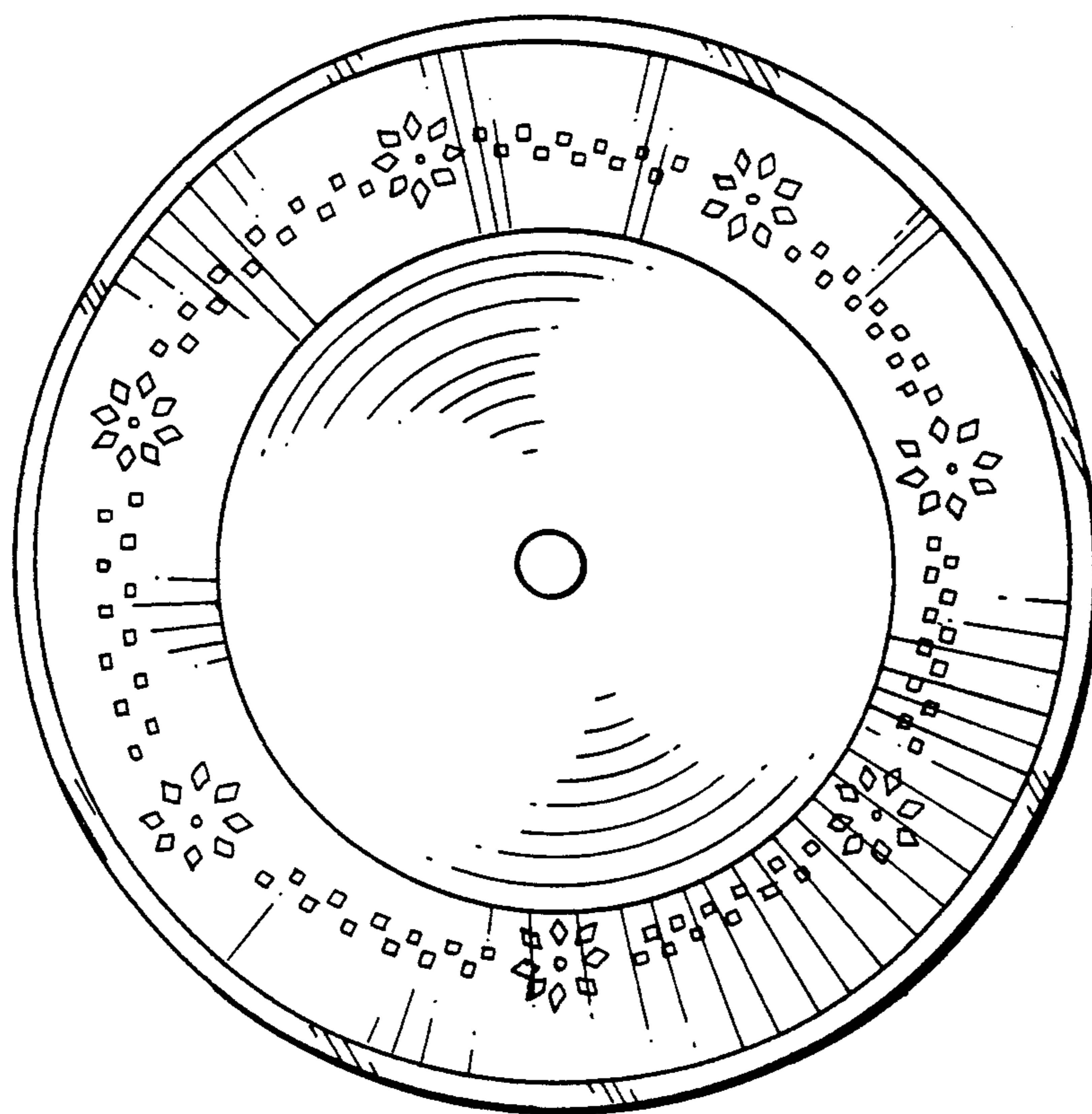


FIG. 2

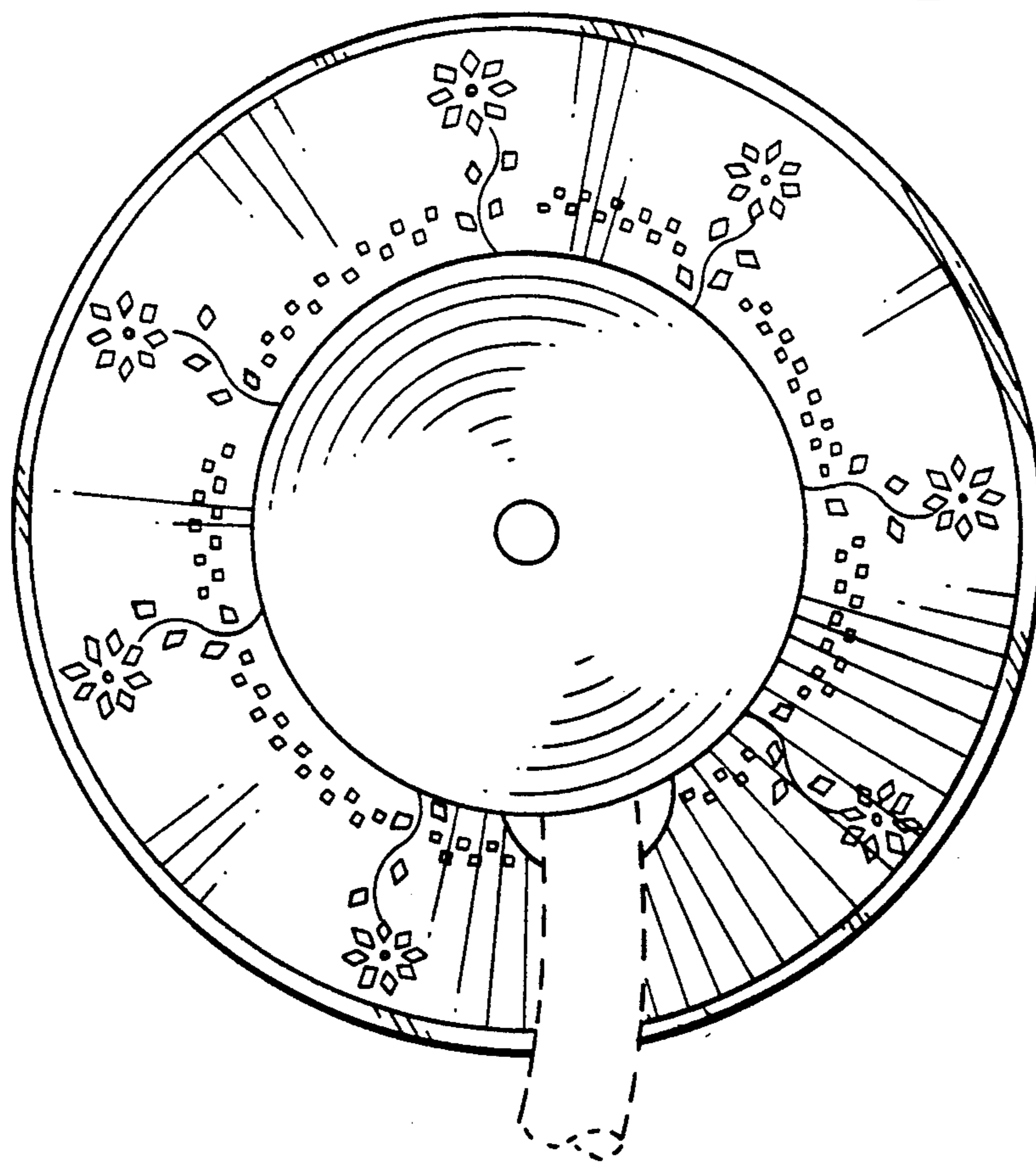


FIG. 3

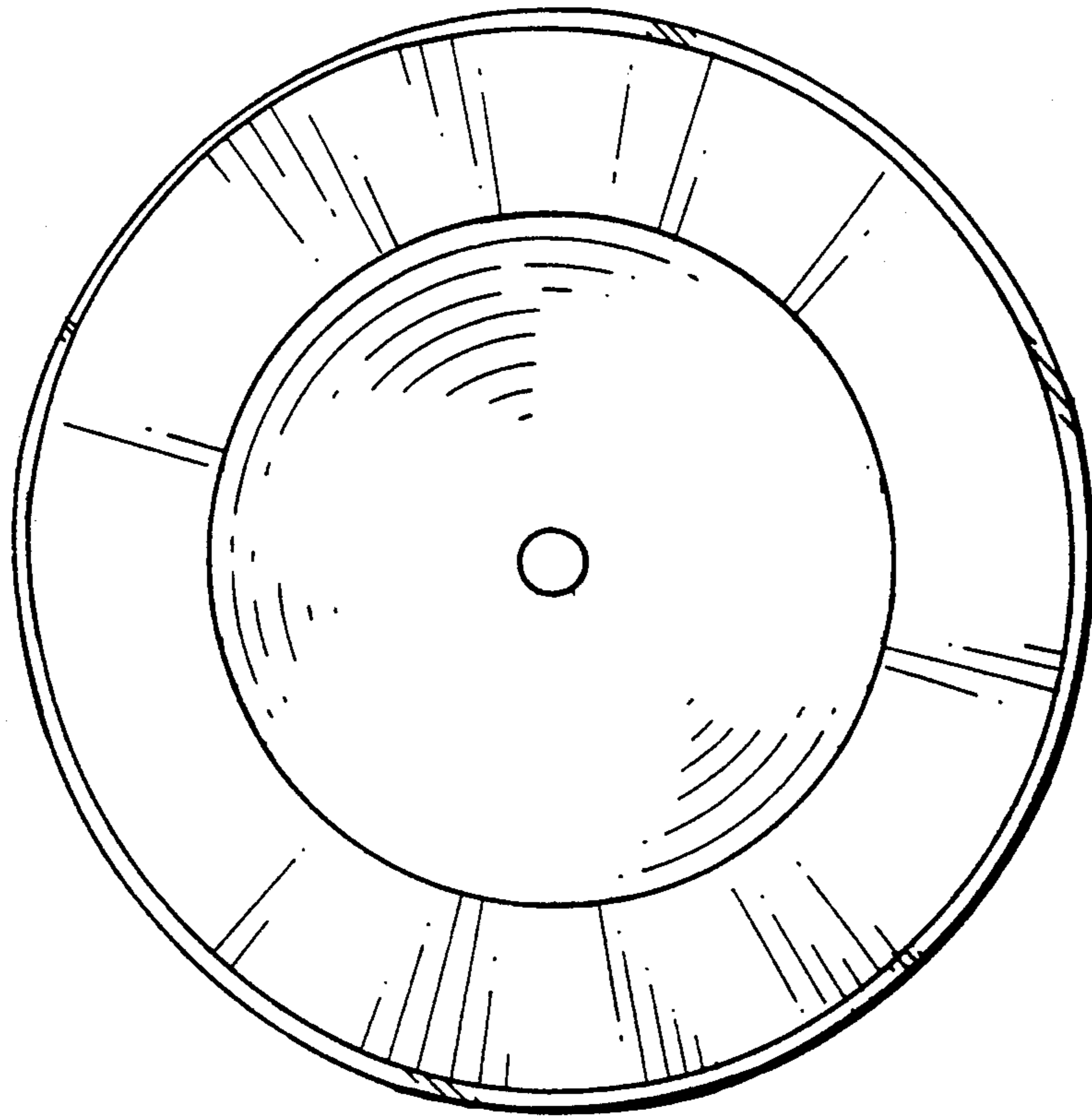


FIG. 4

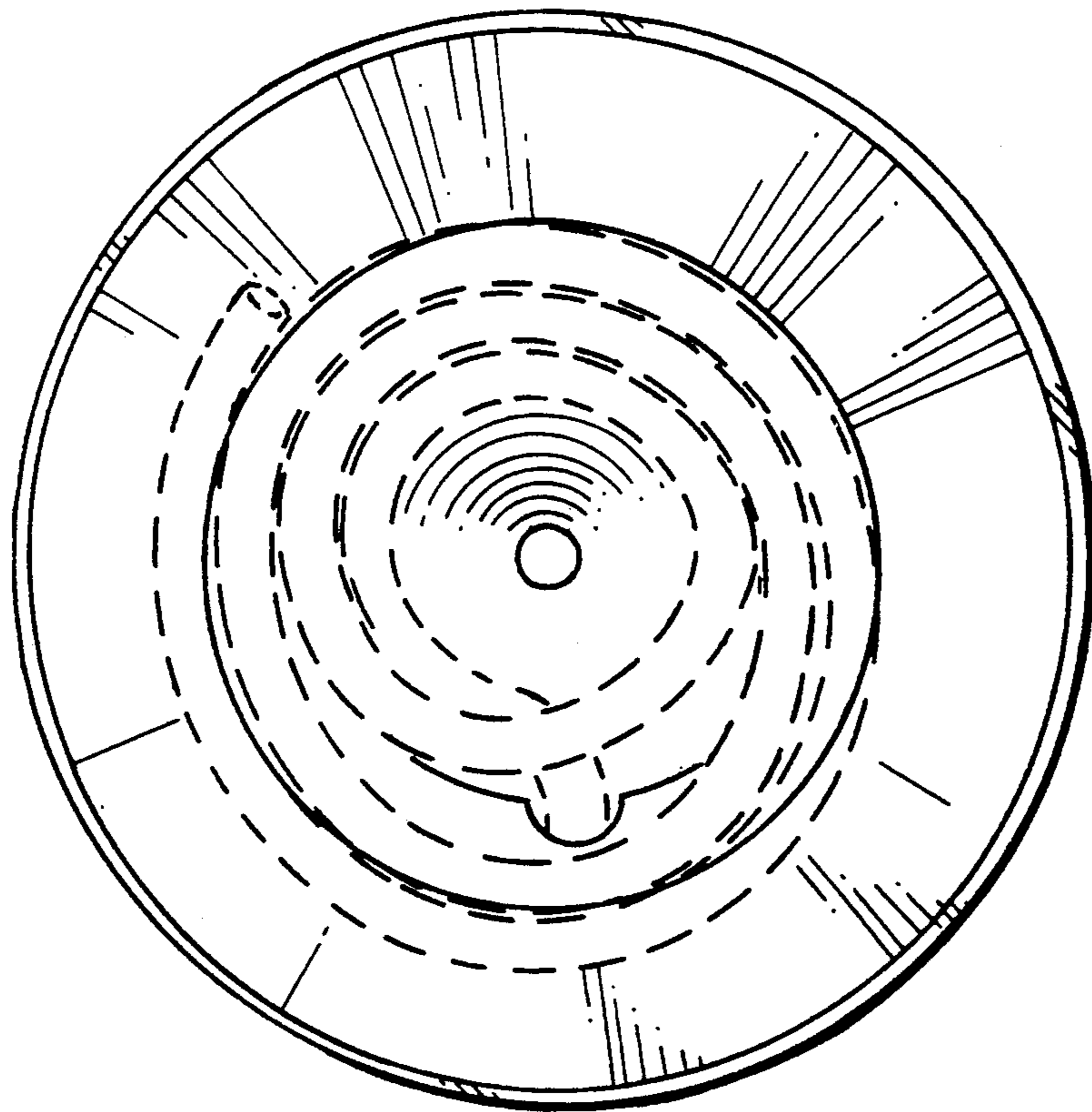


FIG. 5