



US00D330316S

# United States Patent [19]

[11] Patent Number: **Des. 330,316**

So

[45] Date of Patent: **\*\* Oct. 20, 1992**

[54] **COMBINED GRATER/SHREDDER/SLICER AND CONTAINER**

[57] **CLAIM**

[75] Inventor: **Shun So, Kowloon, Hong Kong**

The ornamental design for a combined grater/shredder/slicer and container, as shown.

[73] Assignee: **Ki Mee Metal & Plastic Factory Limited, Hong Kong**

**DESCRIPTION**

[\*\*] Term: **14 Years**

FIG. 1 is a top, front, right side perspective view of a combined grater/shredder/slicer and container showing my new design;

[21] Appl. No.: **584,256**

FIG. 2 is a right side elevational view thereof;

[22] Filed: **Sep. 18, 1990**

FIG. 3 is a rear elevational view thereof;

[30] **Foreign Application Priority Data**

Apr. 4, 1990 [GB] United Kingdom ..... 2005931

FIG. 4 is a bottom plan view thereof;

Apr. 4, 1990 [GB] United Kingdom ..... 2005932

FIG. 5 is an exploded, reduced scale perspective view thereof;

[52] U.S. Cl. .... **D7/678**

FIG. 6 is an exploded, reduced scale perspective view thereof;

[58] Field of Search ..... D7/381, 385, 669, 678;  
241/95, 100, 168, 273.1-273.4

FIG. 7 is an exploded, reduced scale perspective view thereof;

[56] **References Cited**

**U.S. PATENT DOCUMENTS**

2,615,486 10/1952 Marcus ..... 241/273.1 X

FIG. 8 is a top, front, right side perspective view of an alternative embodiment of FIG. 1;

2,720,234 10/1955 Fett ..... 241/273.1

FIG. 9 is a right side elevational view of FIG. 8;

4,037,793 7/1977 Puustinen ..... 241/168 X

FIG. 10 is a rear elevational view of FIG. 8;

FIG. 11 is a bottom plan view of FIG. 8;

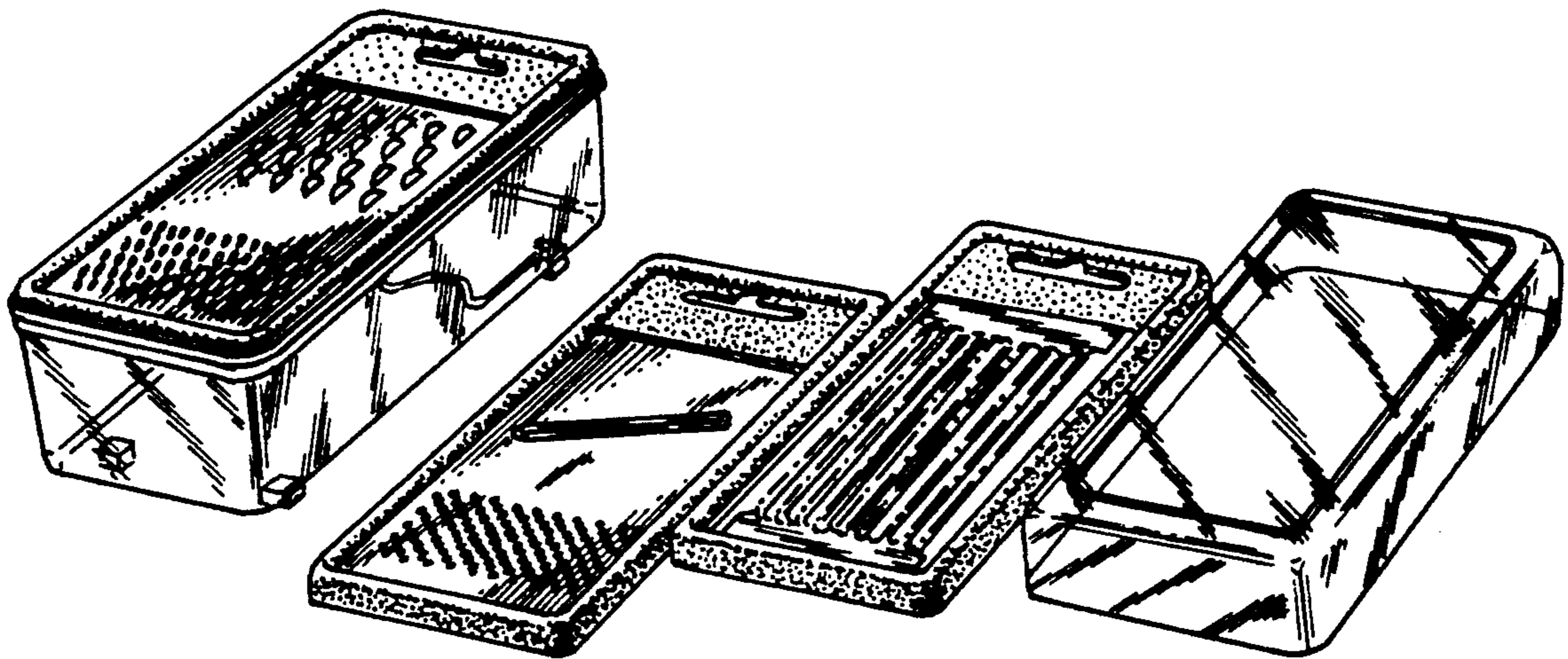
FIG. 12 is an exploded, reduced scale perspective view of FIG. 8;

*Primary Examiner*—Terry A. Pfeffer

*Attorney, Agent, or Firm*—Wood, Herron & Evans

FIG. 13 is an exploded, reduced scale perspective view of FIG. 8; and,

FIG. 14 is an exploded, reduced scale perspective view of FIG. 8.



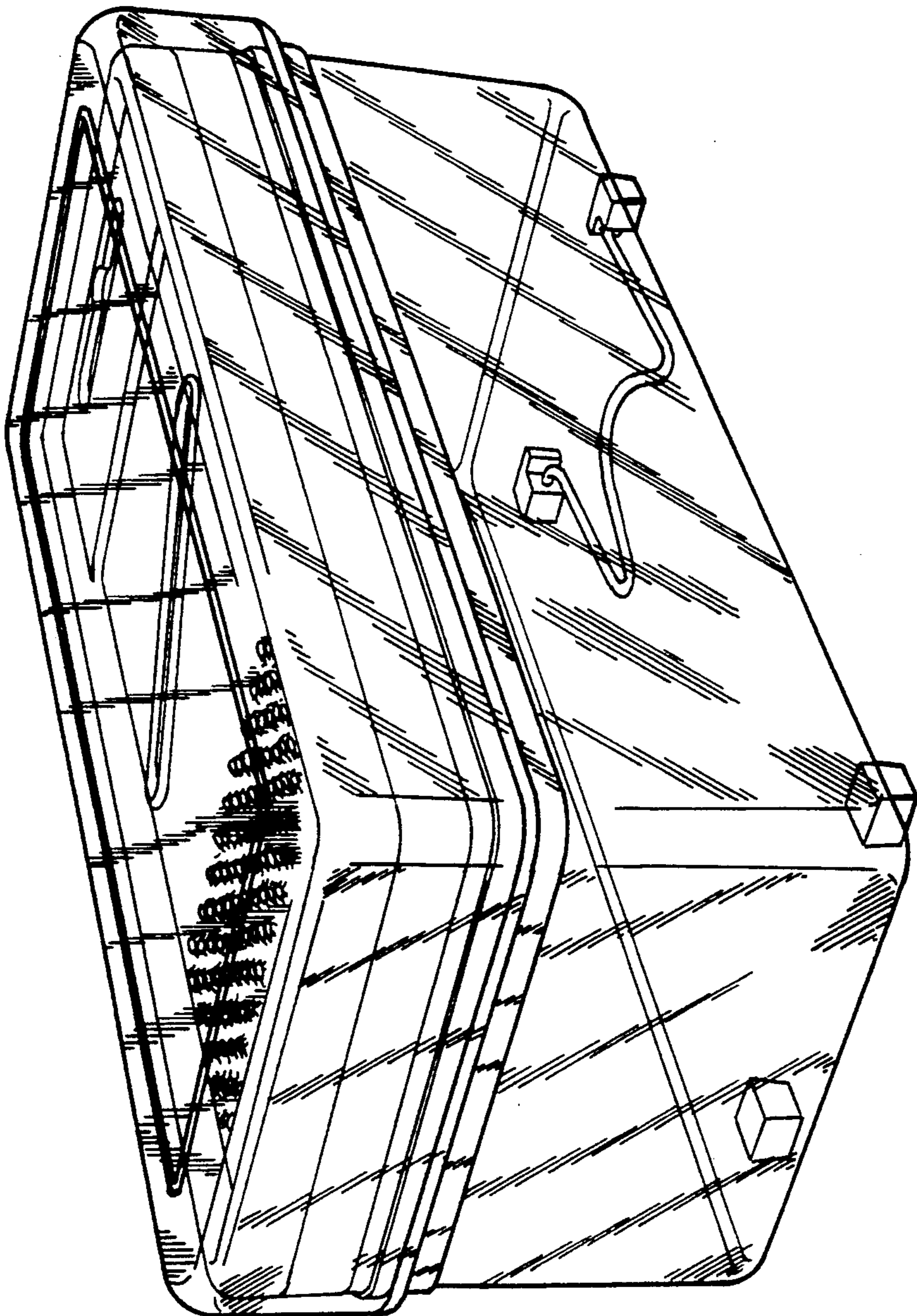


FIG. 1

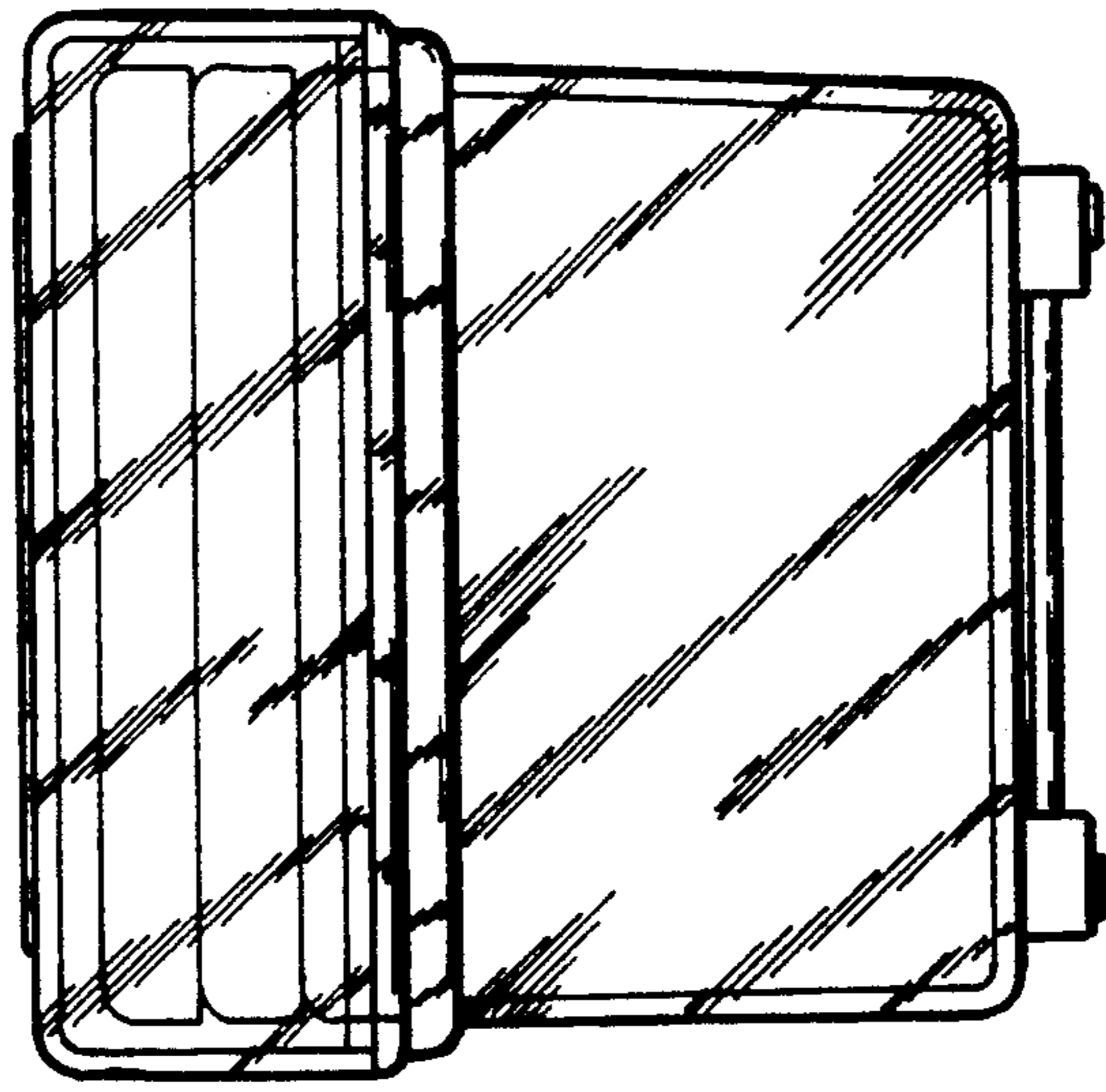


FIG. 3

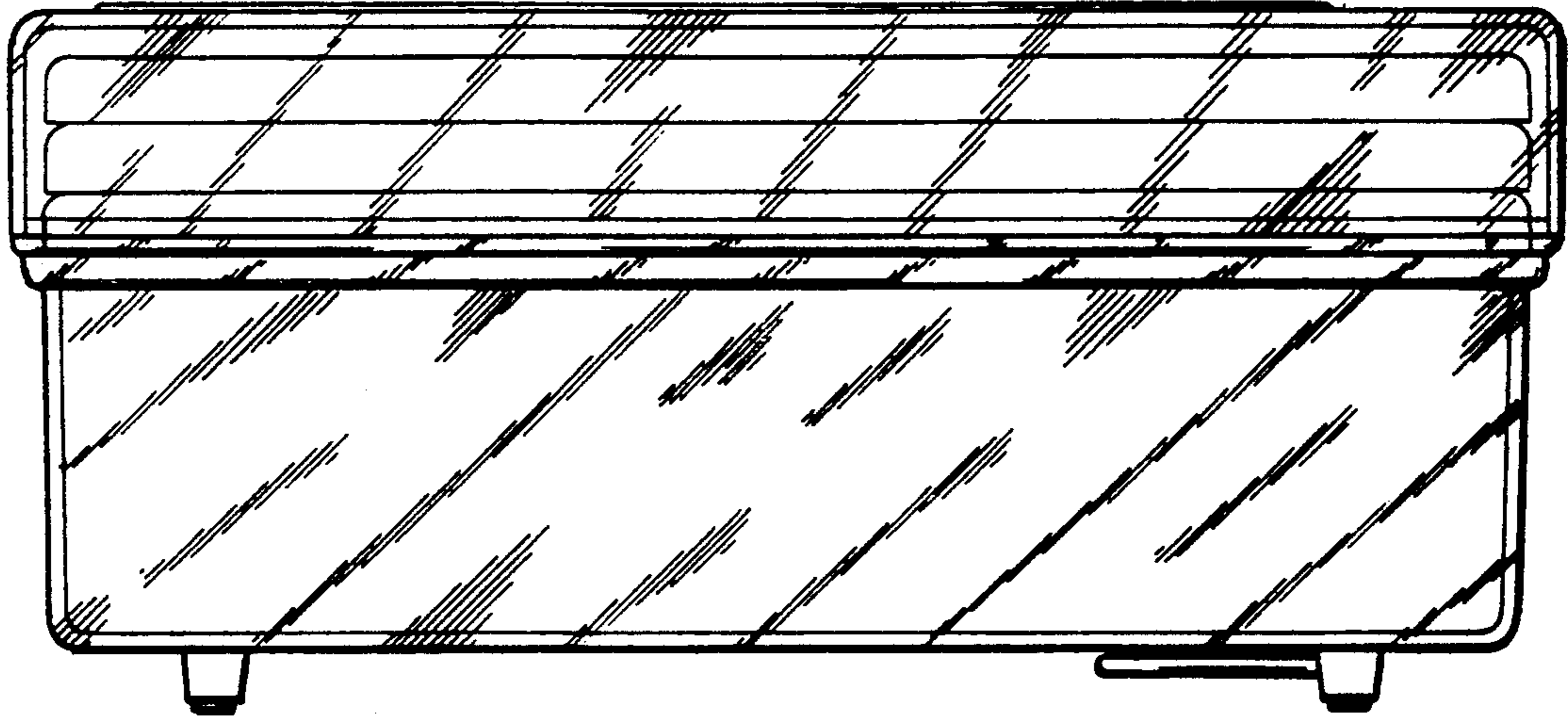


FIG. 2

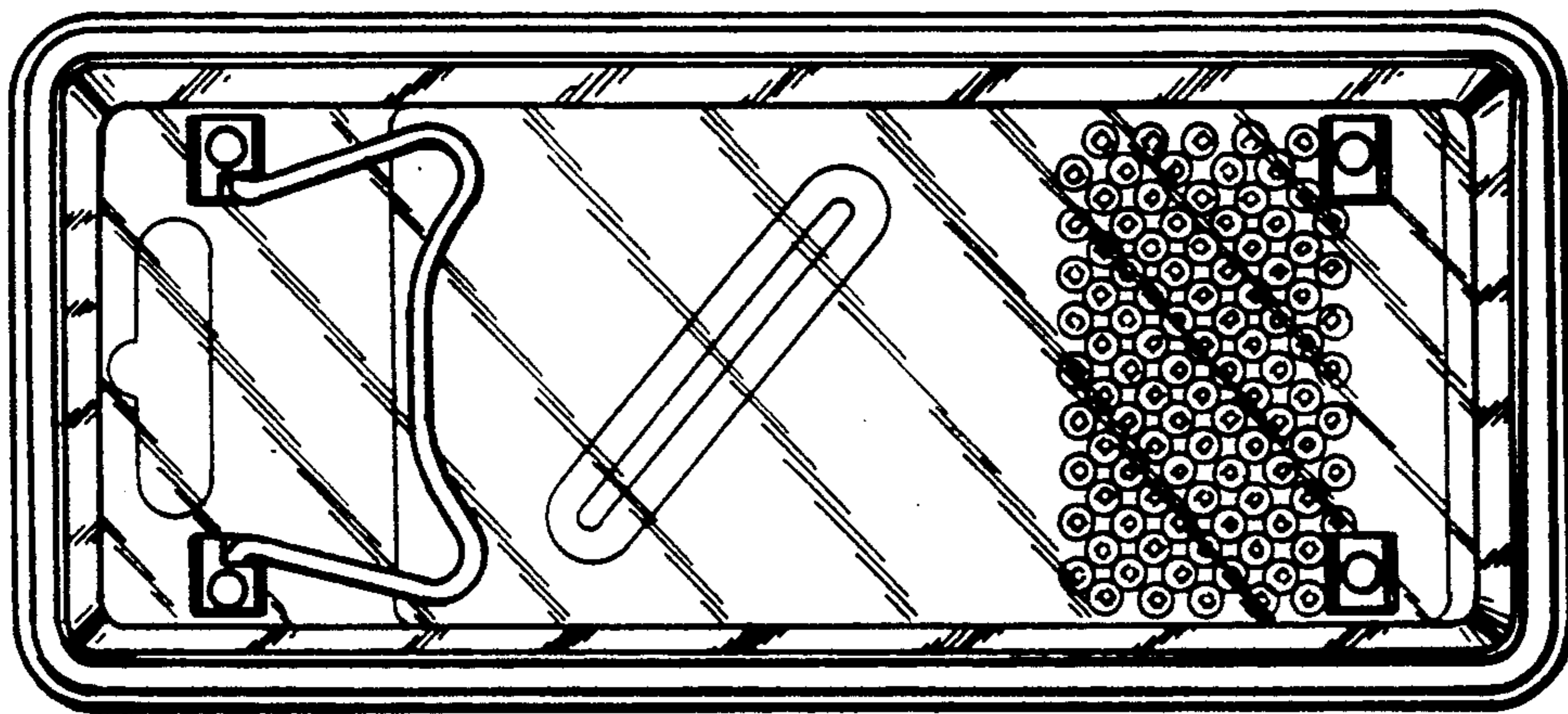


FIG. 4

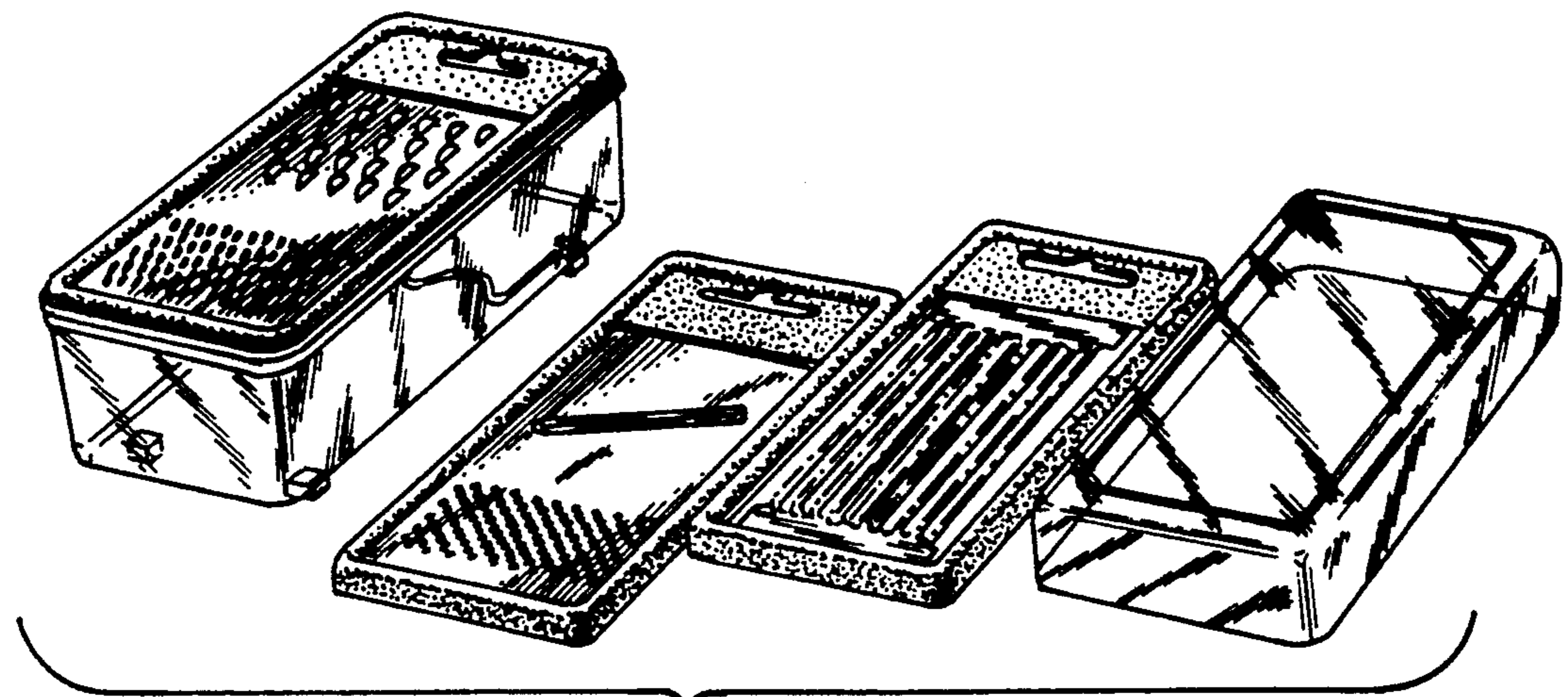


FIG. 5

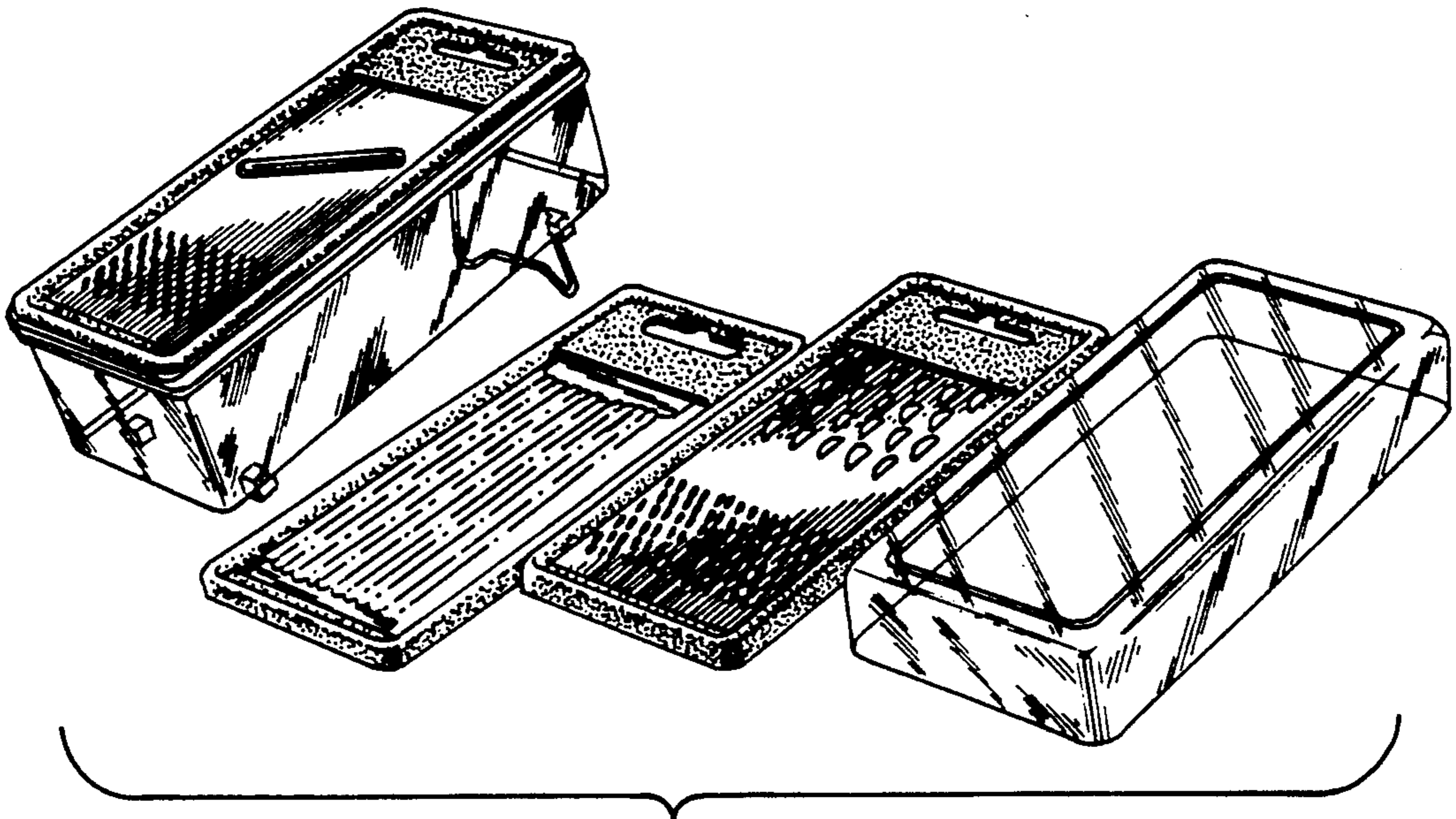


FIG. 6

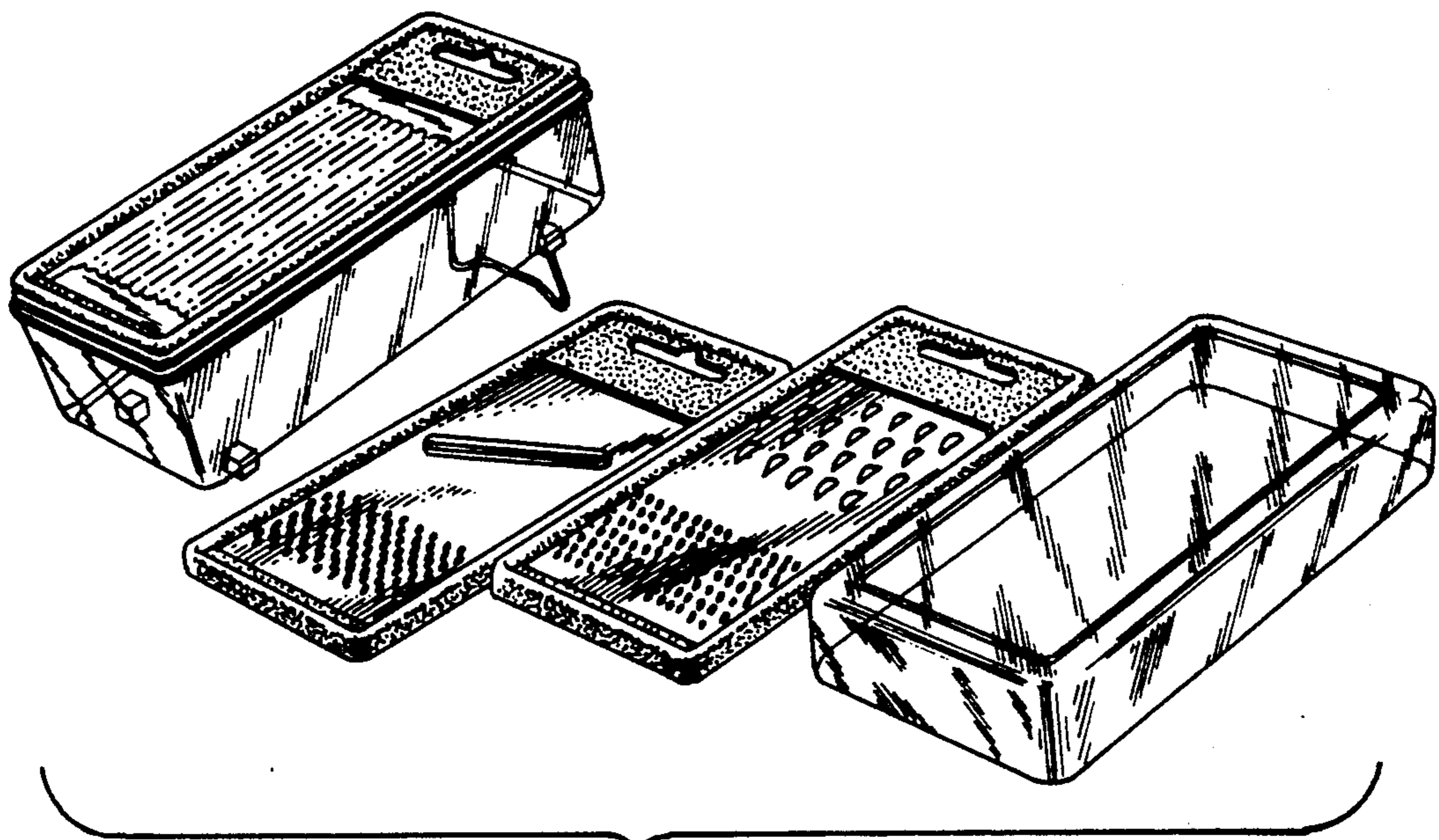
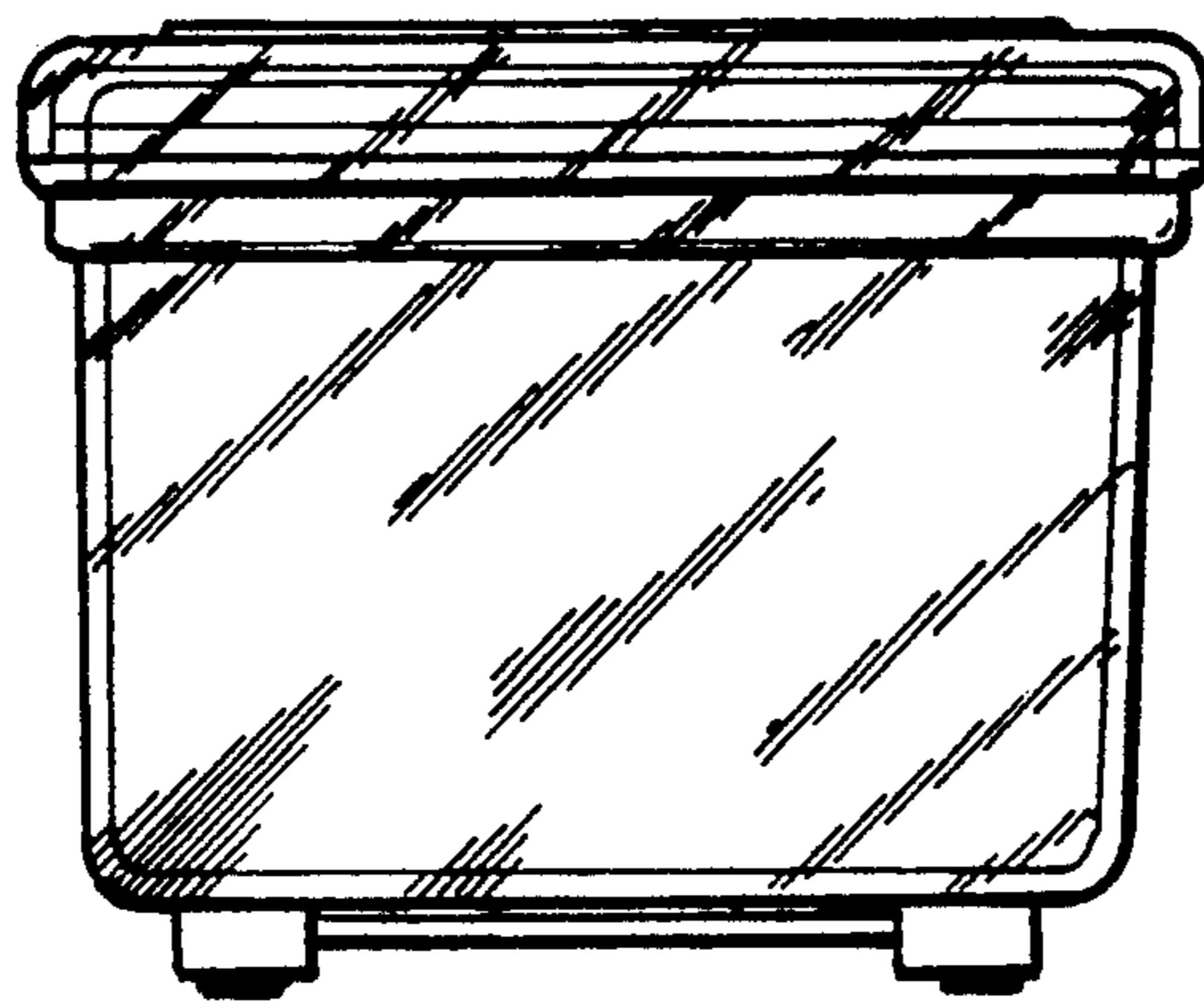
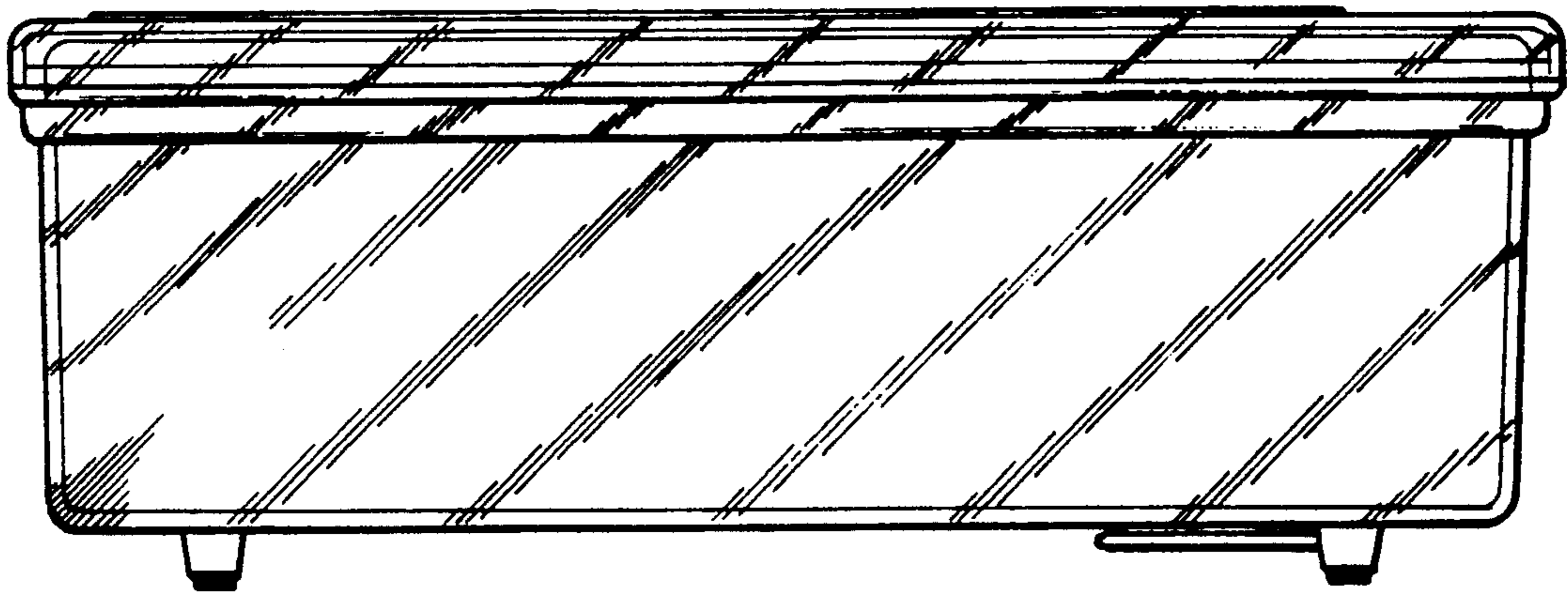
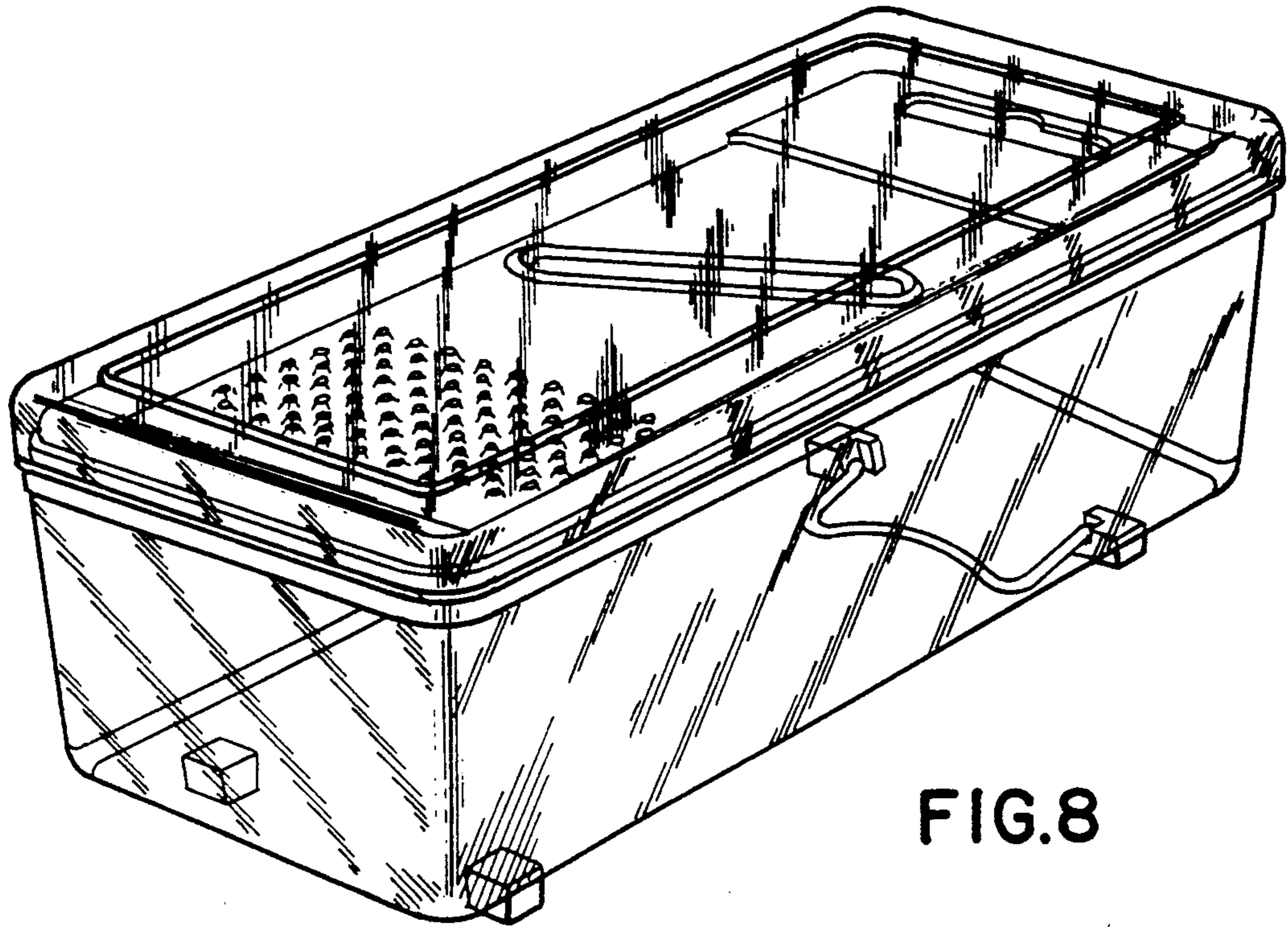


FIG. 7



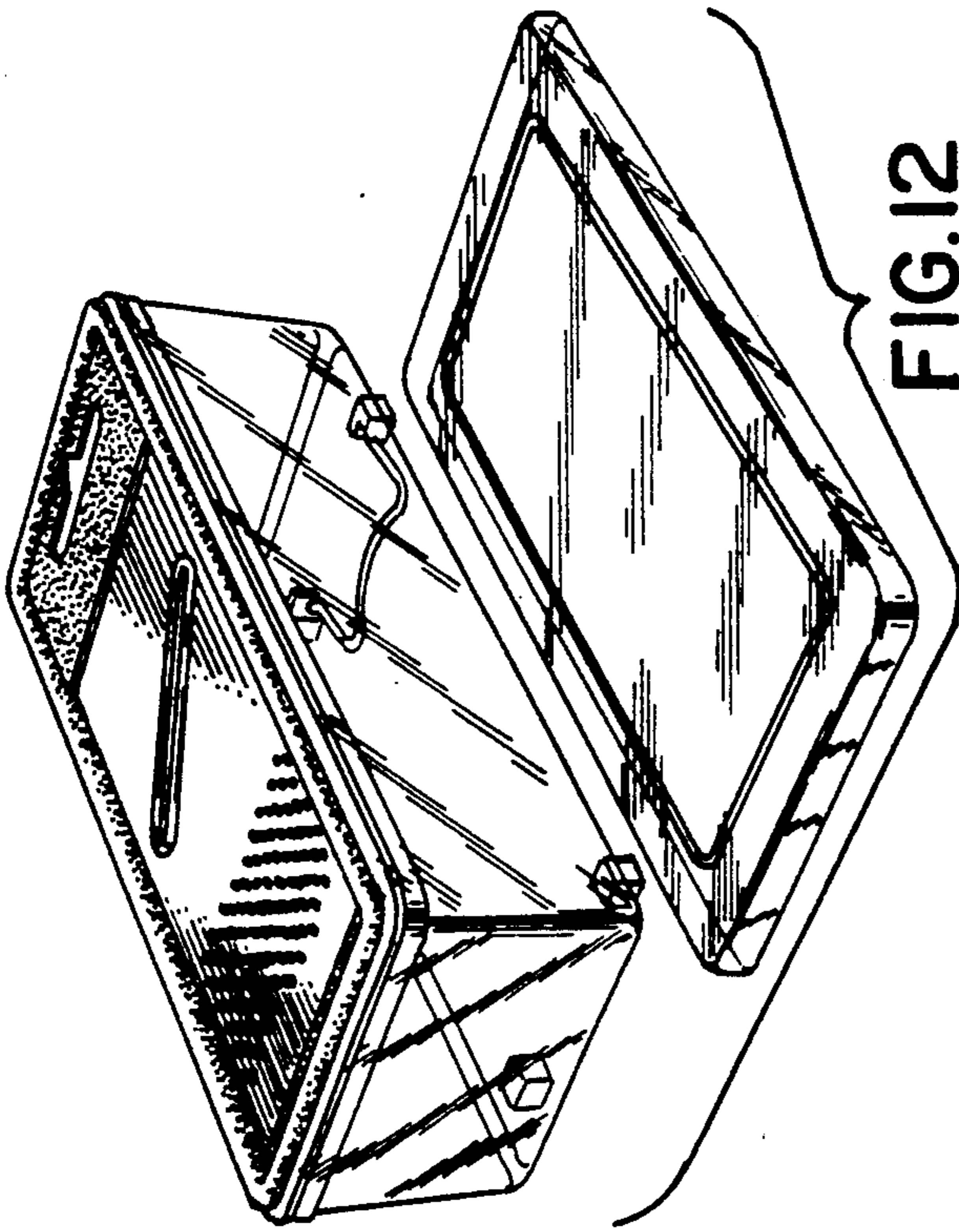


FIG. 12

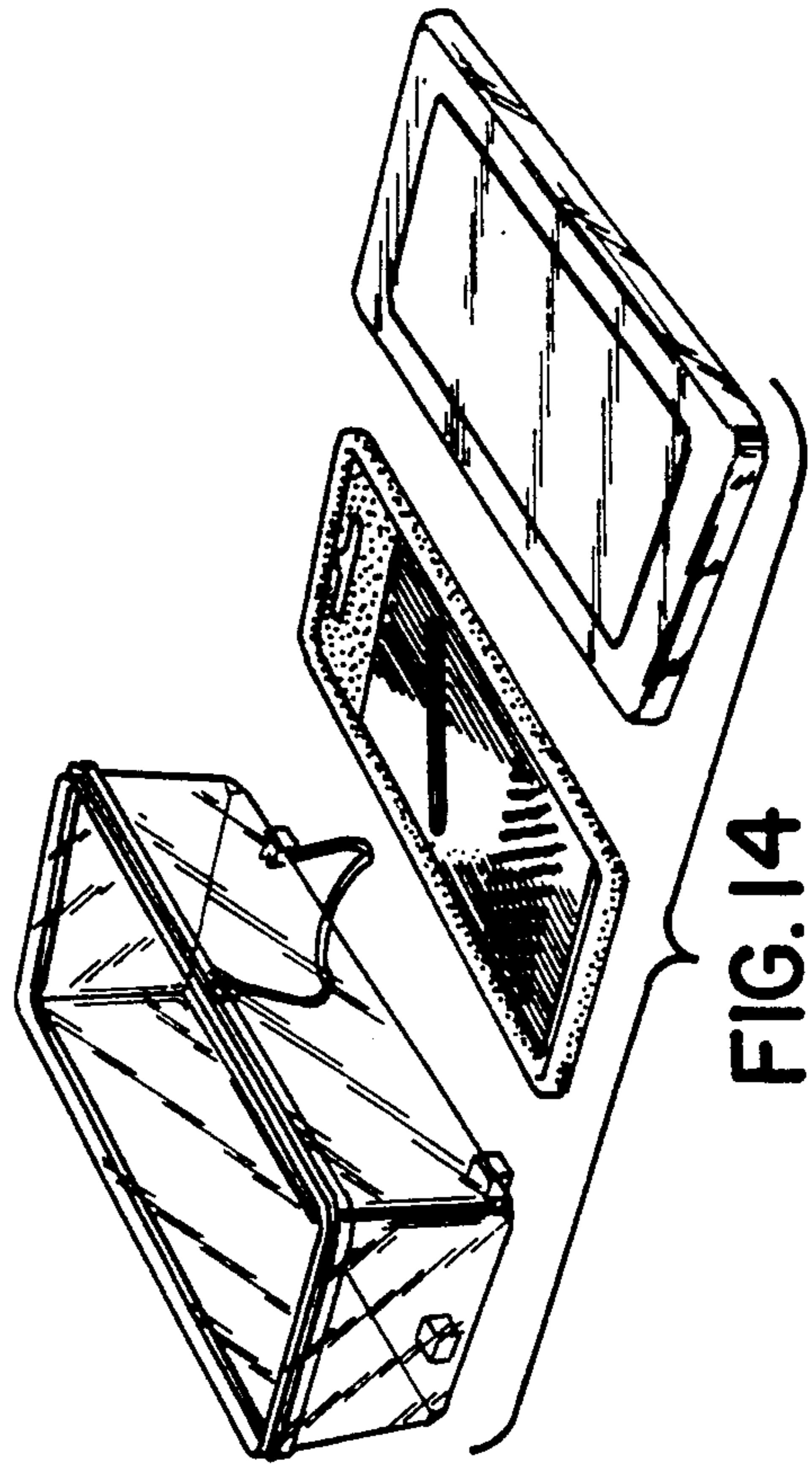


FIG. 14

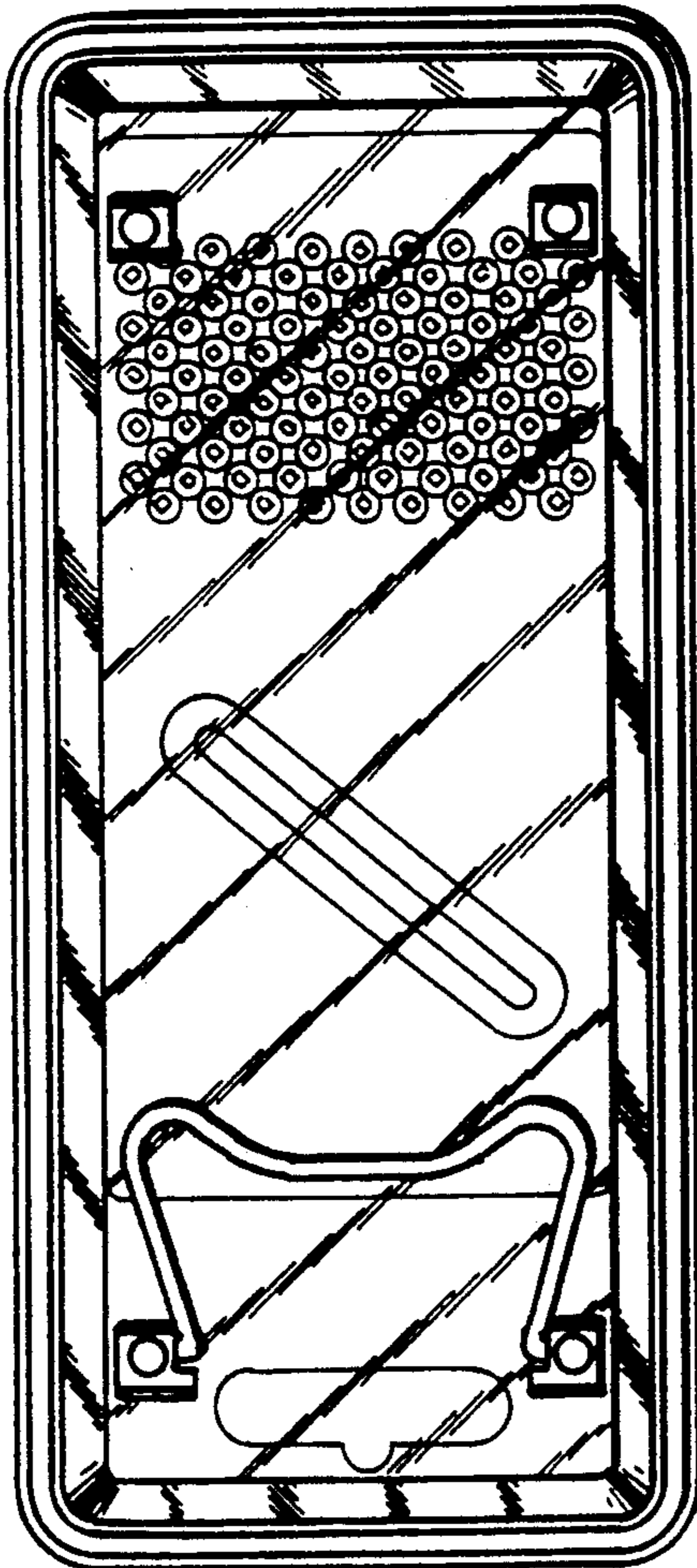


FIG. 11

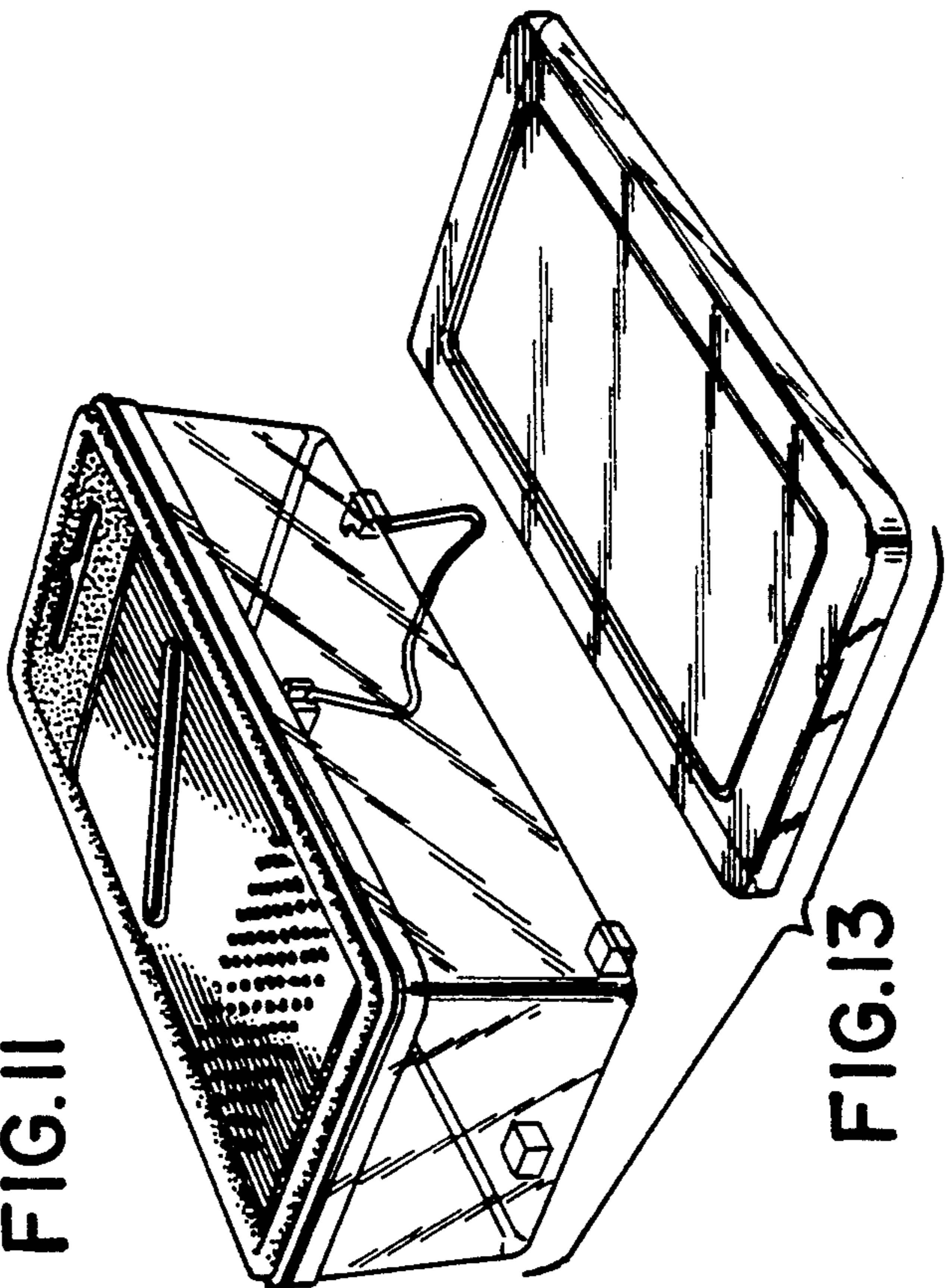


FIG. 13