



US00D330315S

United States Patent [19]

[11] Patent Number: **Des. 330,315**

Shved

[45] Date of Patent: **** Oct. 20, 1992**

[54] **BAGEL SLICING JIG**
 [75] Inventor: **Seymour Shved, Coconut Creek, Fla.**
 [73] Assignee: **Wynmoor Products, Inc., Coconut Creek, Fla.**
 [**] Term: **14 Years**
 [21] Appl. No.: **588,413**
 [22] Filed: **Sep. 26, 1990**
 [52] U.S. Cl. **D7/673**
 [58] Field of Search **D7/673, 674; 83/451, 83/609, 761-762; 269/87.2, 287, 288, 291, 295**

4,399,989 5/1981 Baillie .

Primary Examiner—Terry A. Pfeffer
Attorney, Agent, or Firm—Shefte, Pinckney & Sawyer

[57] CLAIM

The ornamental design for a bagel slicing jig, as shown and described.

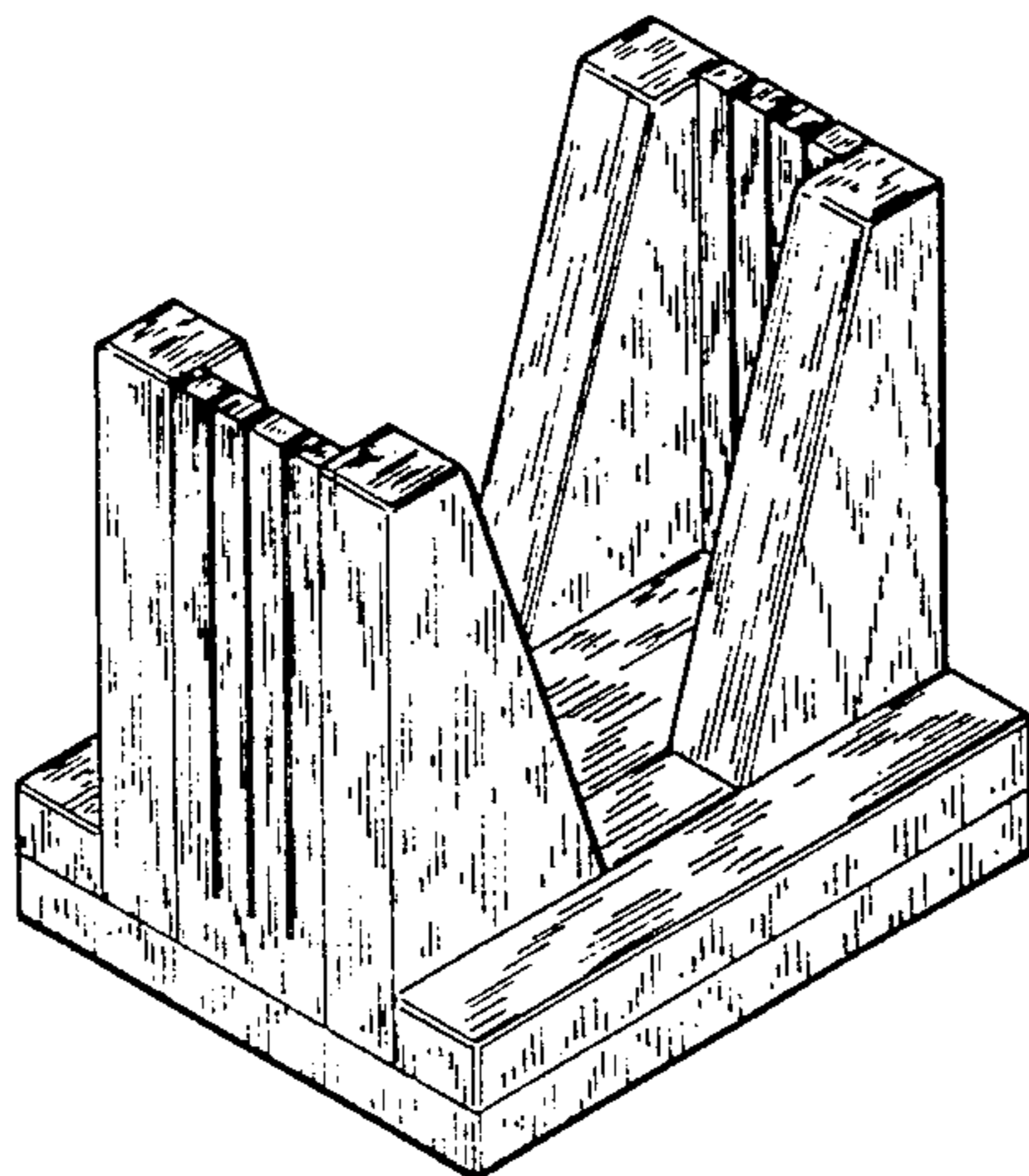
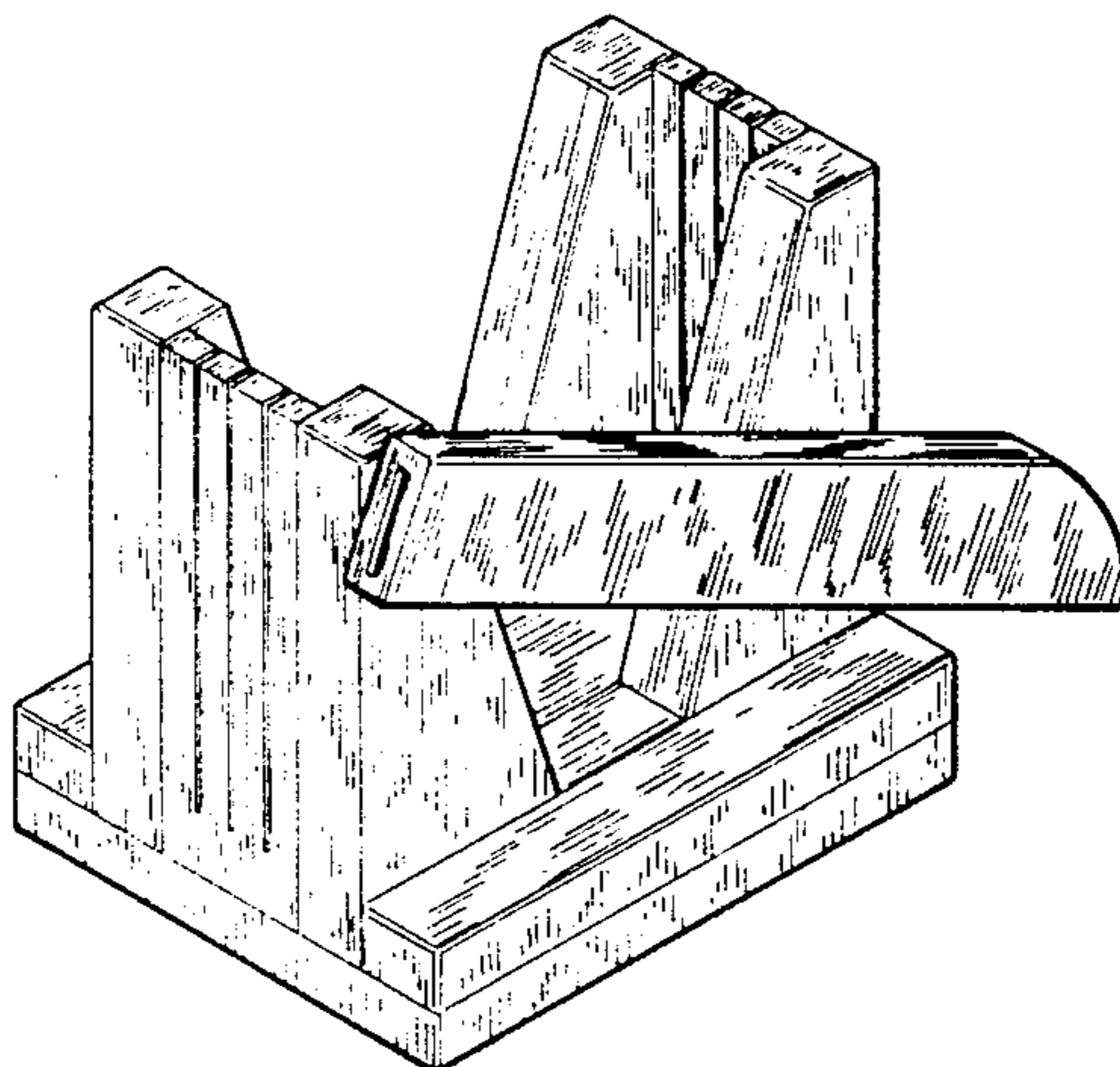
DESCRIPTION

FIG. 1 is a perspective view of a bagel slicing jig, showing my new design;
 FIG. 2 is a right side elevational view thereof;
 FIG. 3 is a left side elevational view thereof;
 FIG. 4 is a front elevational view thereof;
 FIG. 5 is a rear elevational view thereof;
 FIG. 6 is a top plan view thereof;
 FIG. 7 is a bottom plan view thereof;
 FIG. 8 is a perspective view of an alternate embodiment of FIG. 1;
 FIG. 9 is a side elevational view of FIG. 8 the opposite being identical;
 FIG. 10 is a front elevational view of FIG. 8 the opposite side being identical;
 FIG. 11 is a top plan view of FIG. 8; and,
 FIG. 12 is a bottom plan view of FIG. 8.

[56] References Cited

U.S. PATENT DOCUMENTS

- D. 255,634 9/1978 Zuck .
- D. 270,648 6/1981 Mayo .
- D. 277,066 1/1983 Levine .
- D. 277,445 5/1984 Levine .
- D. 279,156 7/1983 Levine .
- D. 315,275 3/1991 Aziz et al. **D7/673**
- 1,953,137 4/1930 Streckfuss .
- 3,018,806 1/1958 Moore .
- 3,338,282 8/1967 Blum .
- 3,347,296 8/1965 Rothman .



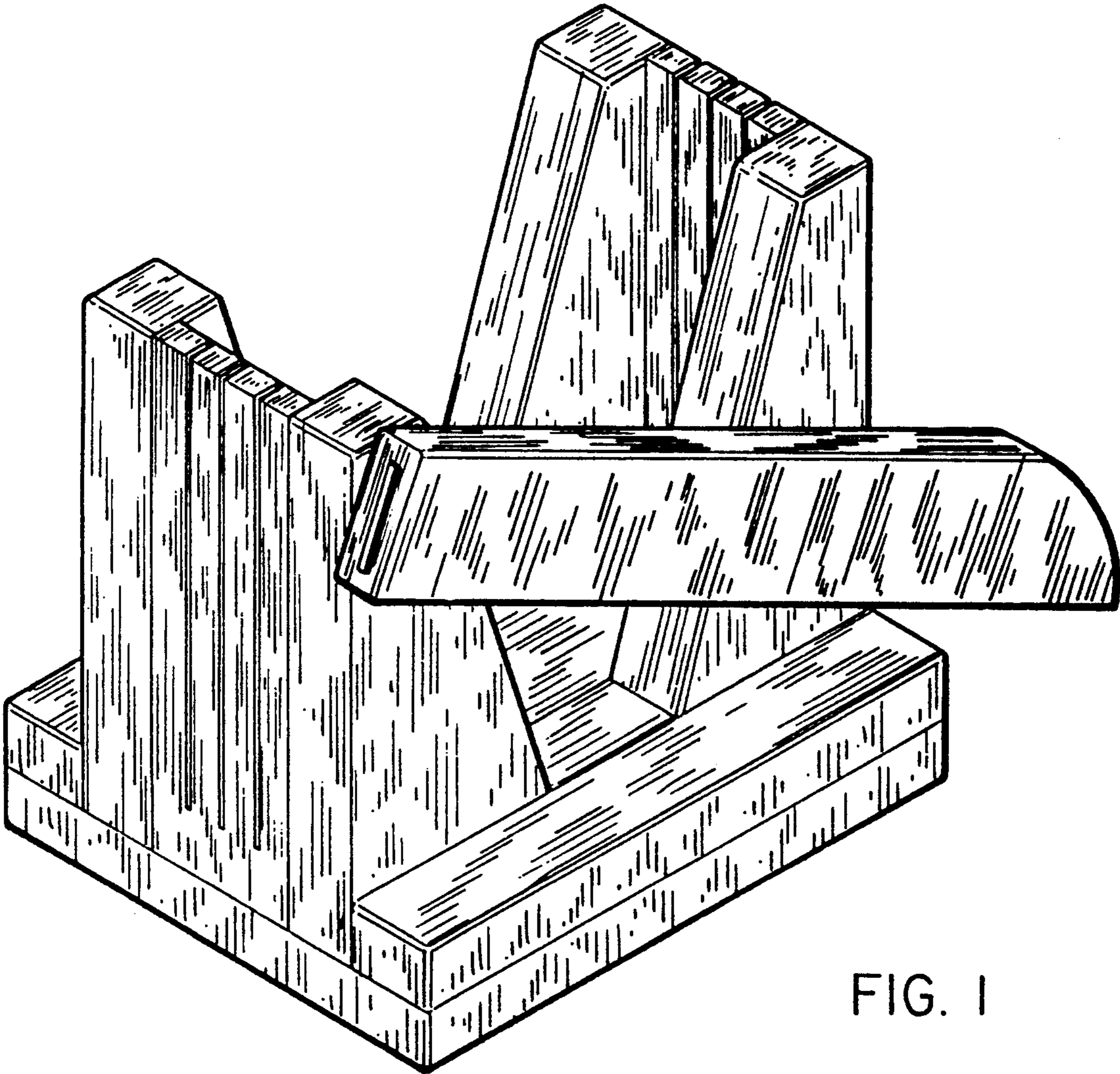


FIG. 1

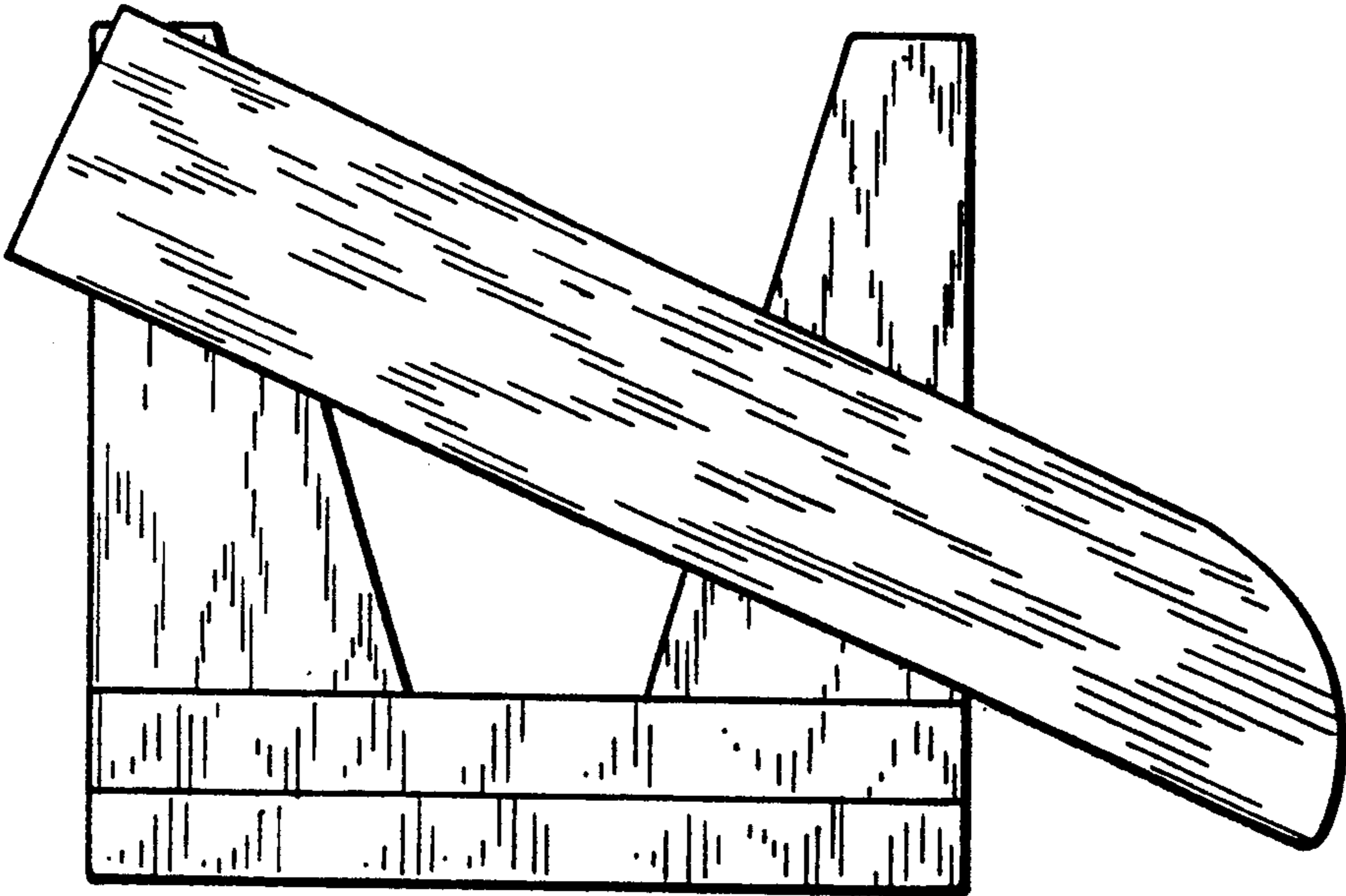


FIG. 2

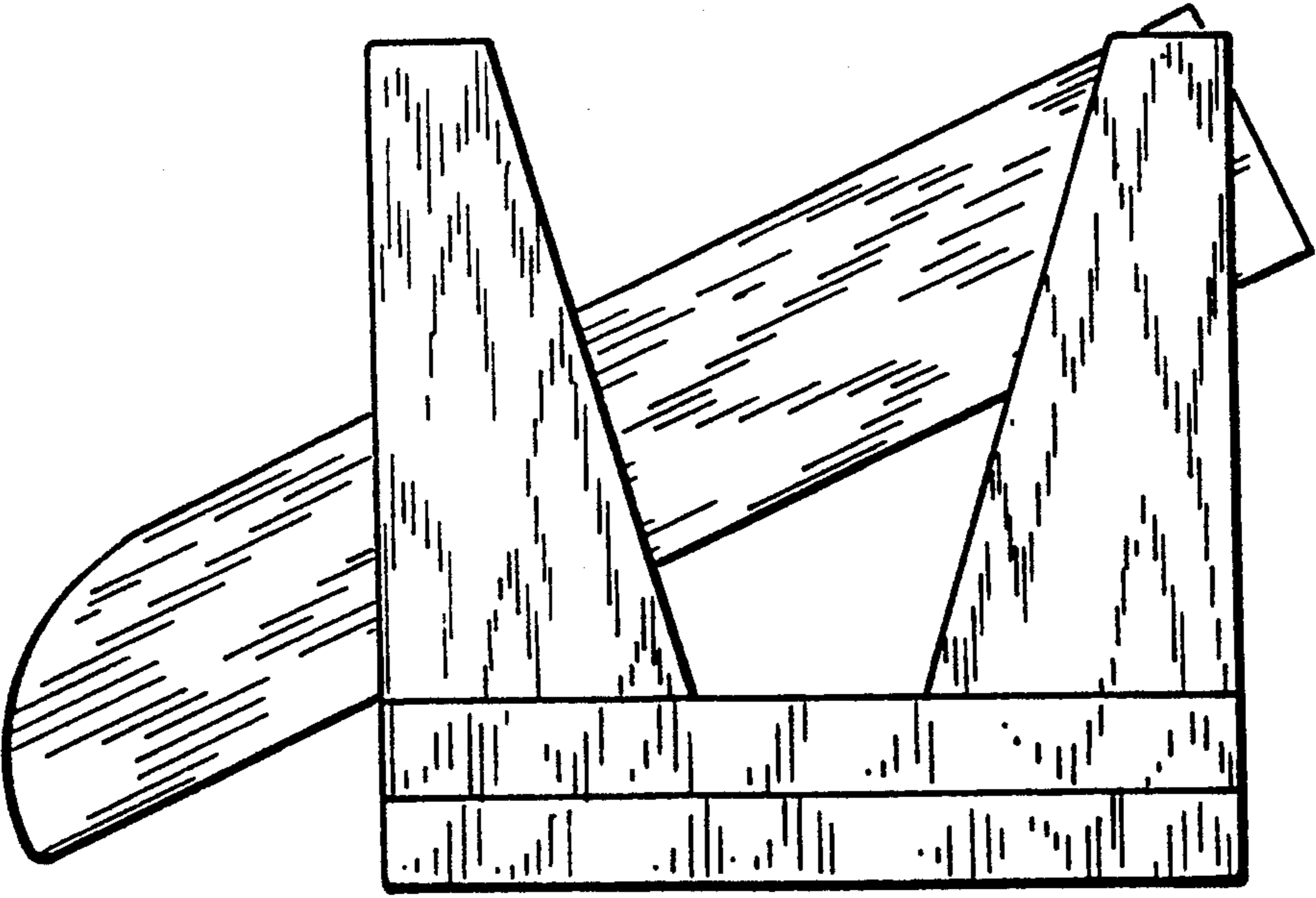


FIG. 3

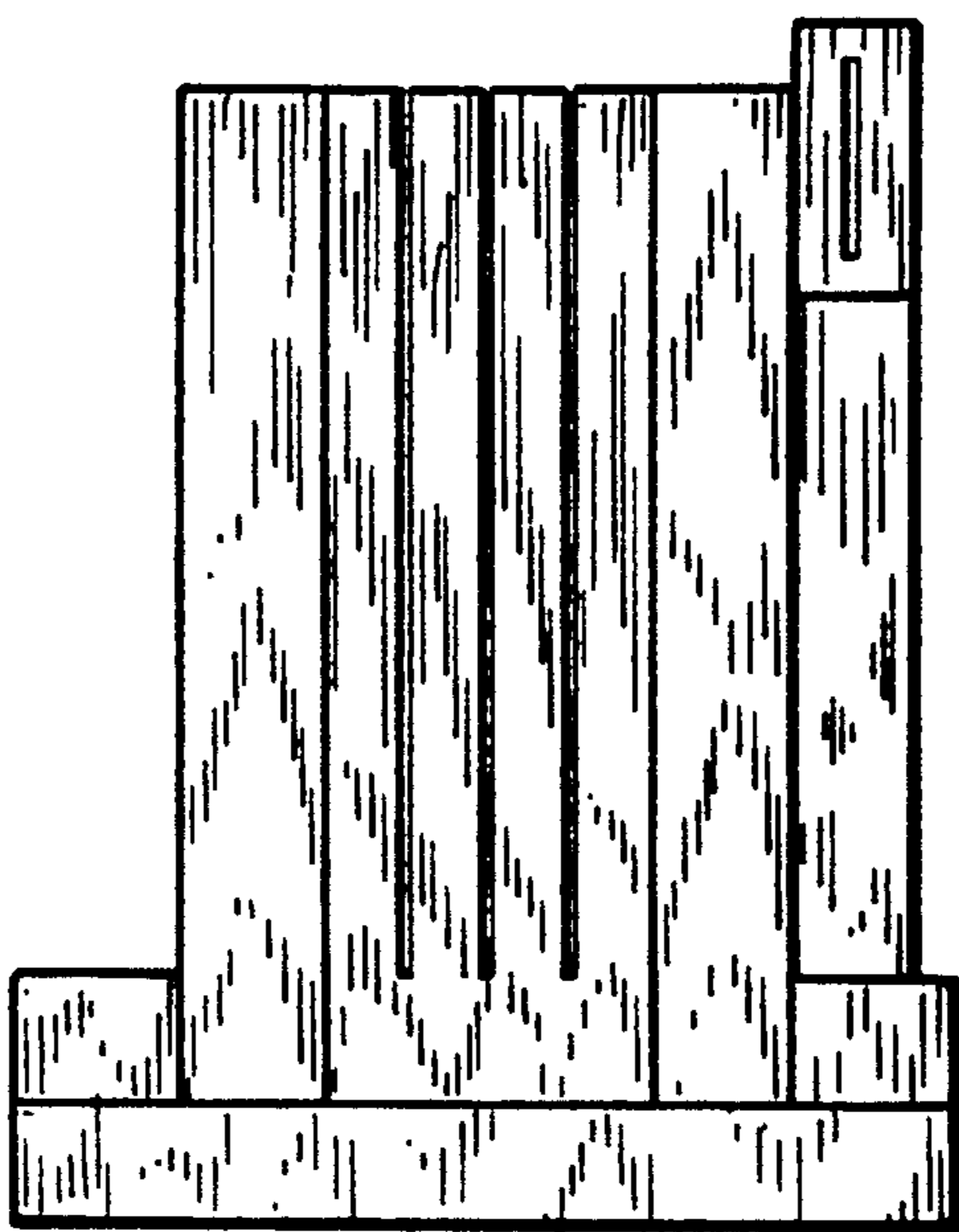


FIG. 4

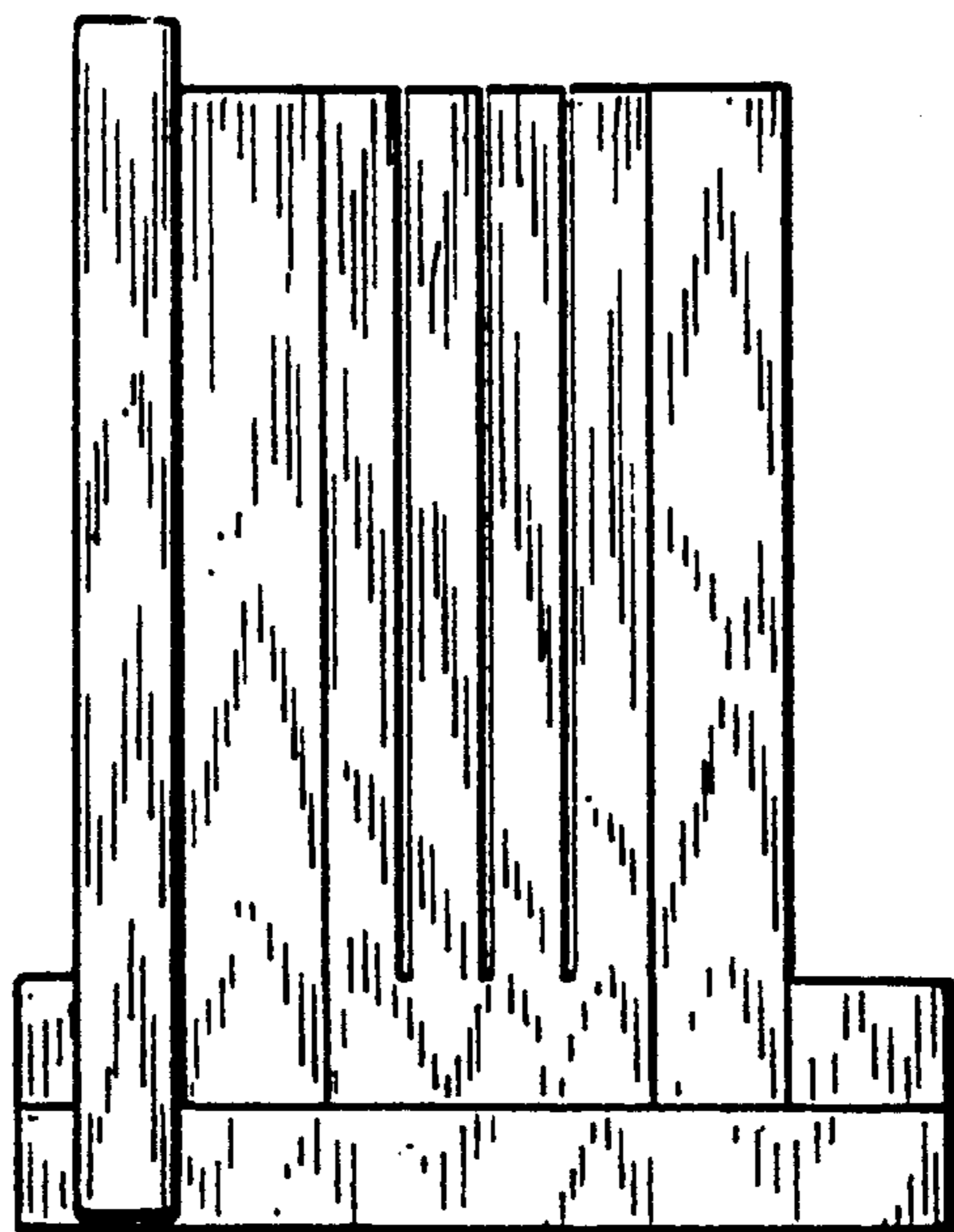


FIG. 5

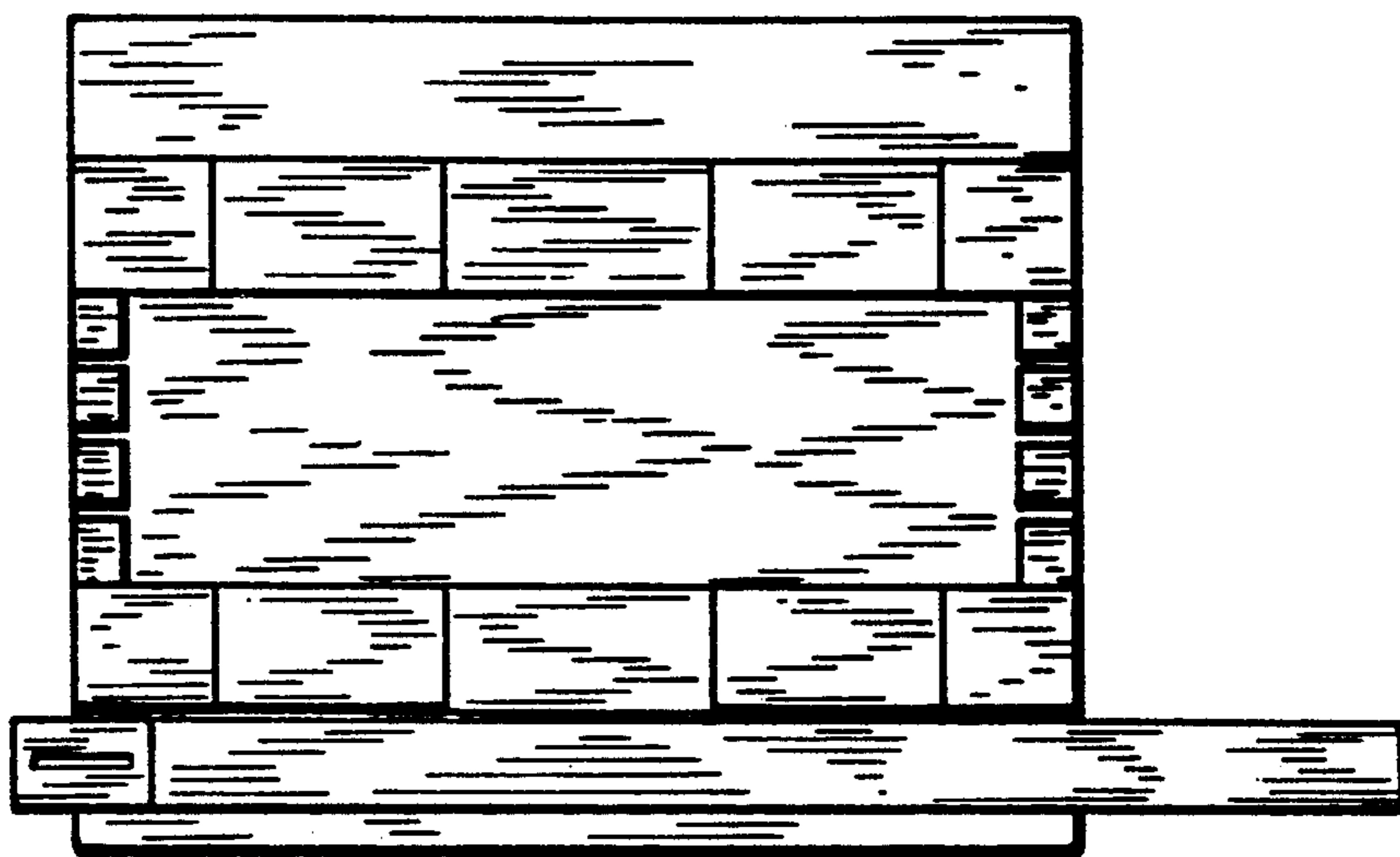


FIG. 6

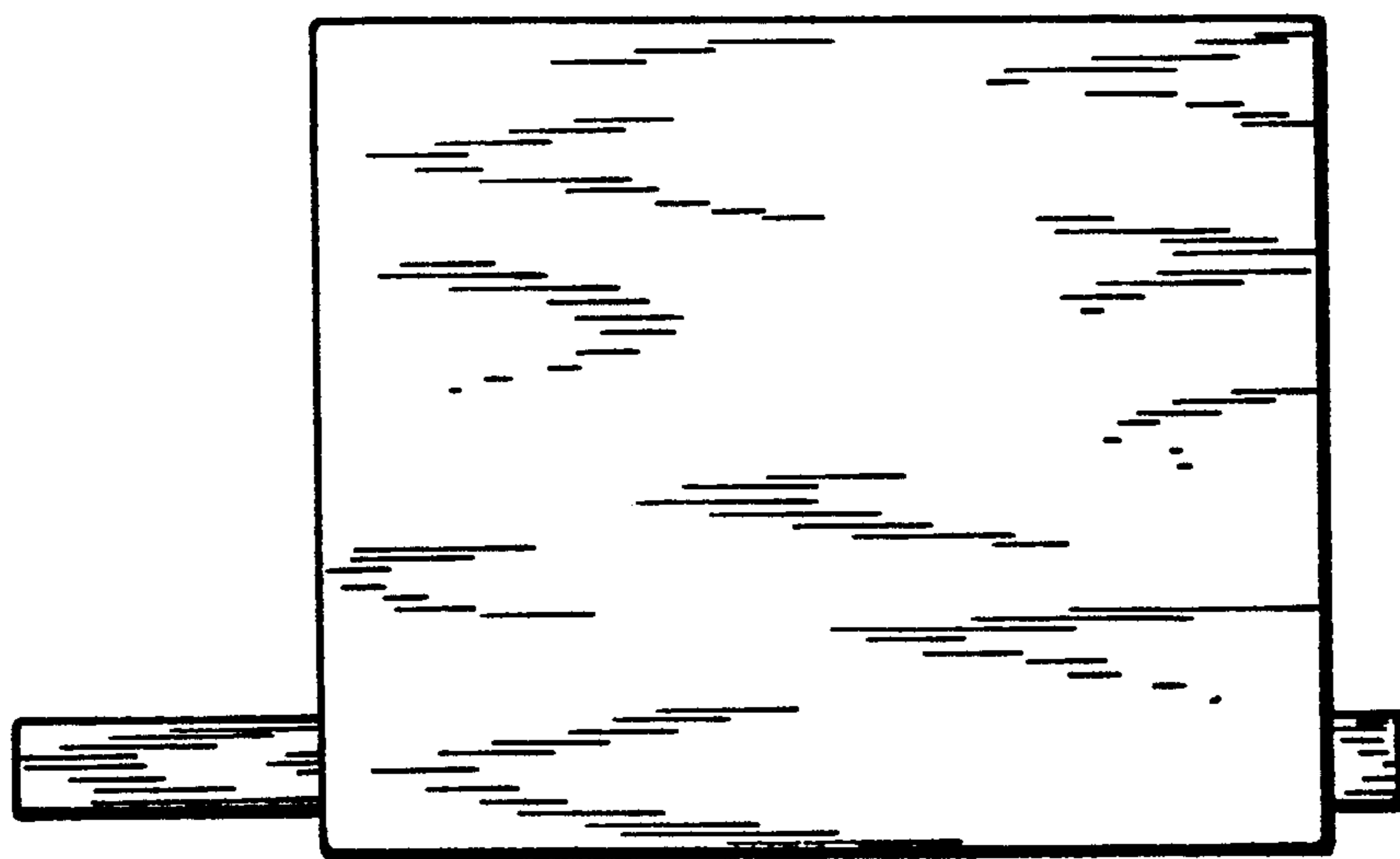


FIG. 7

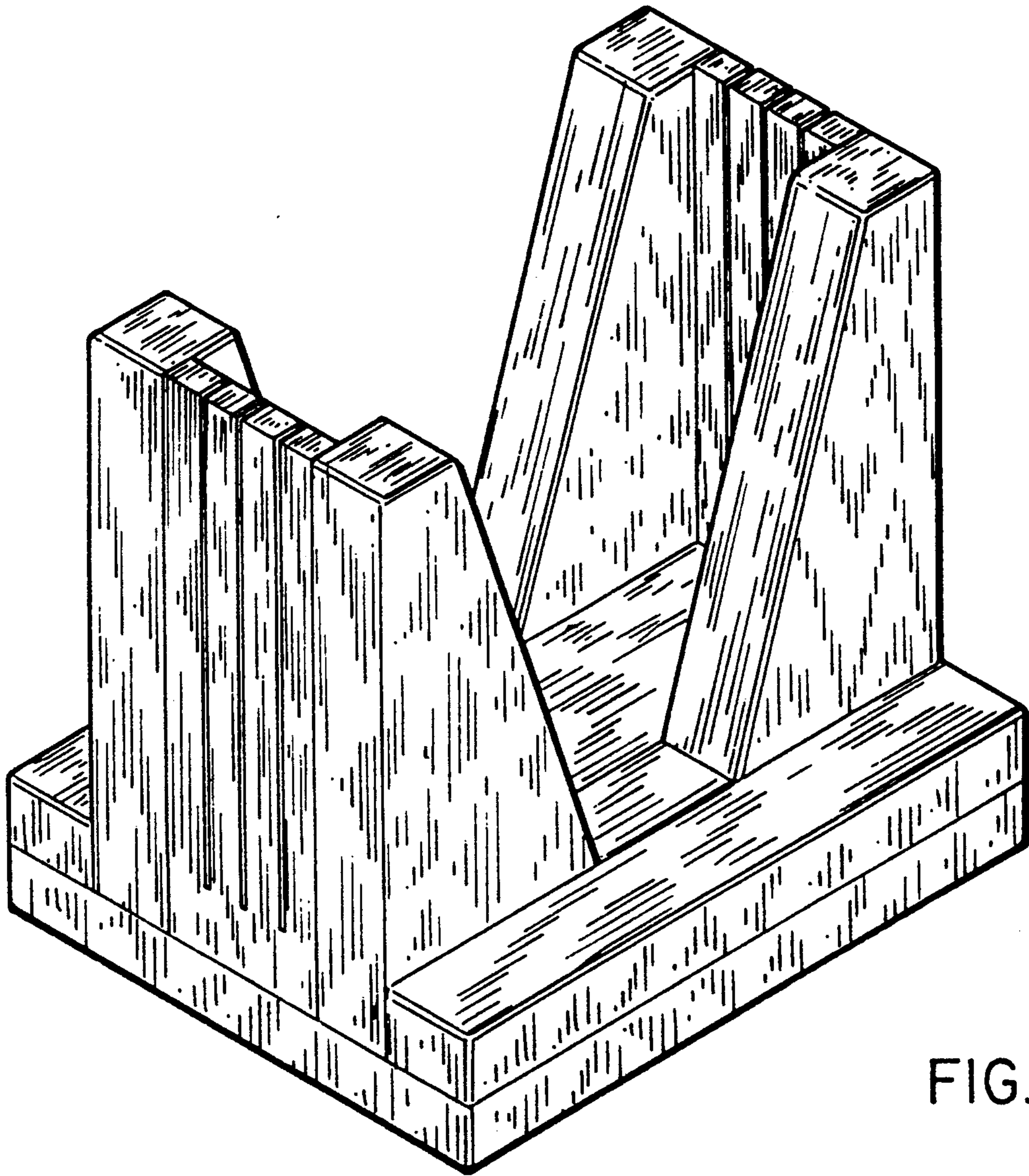


FIG. 8

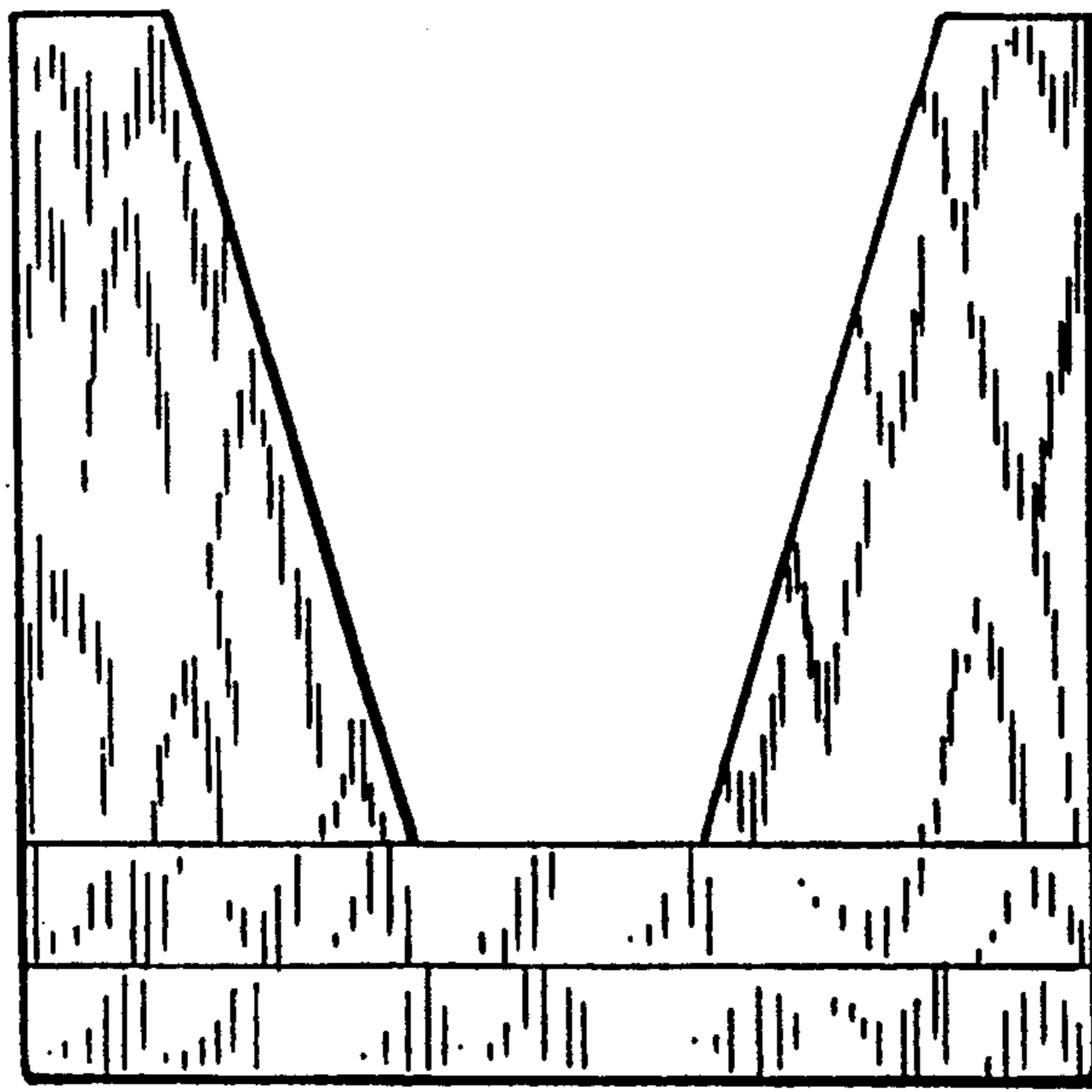


FIG. 9

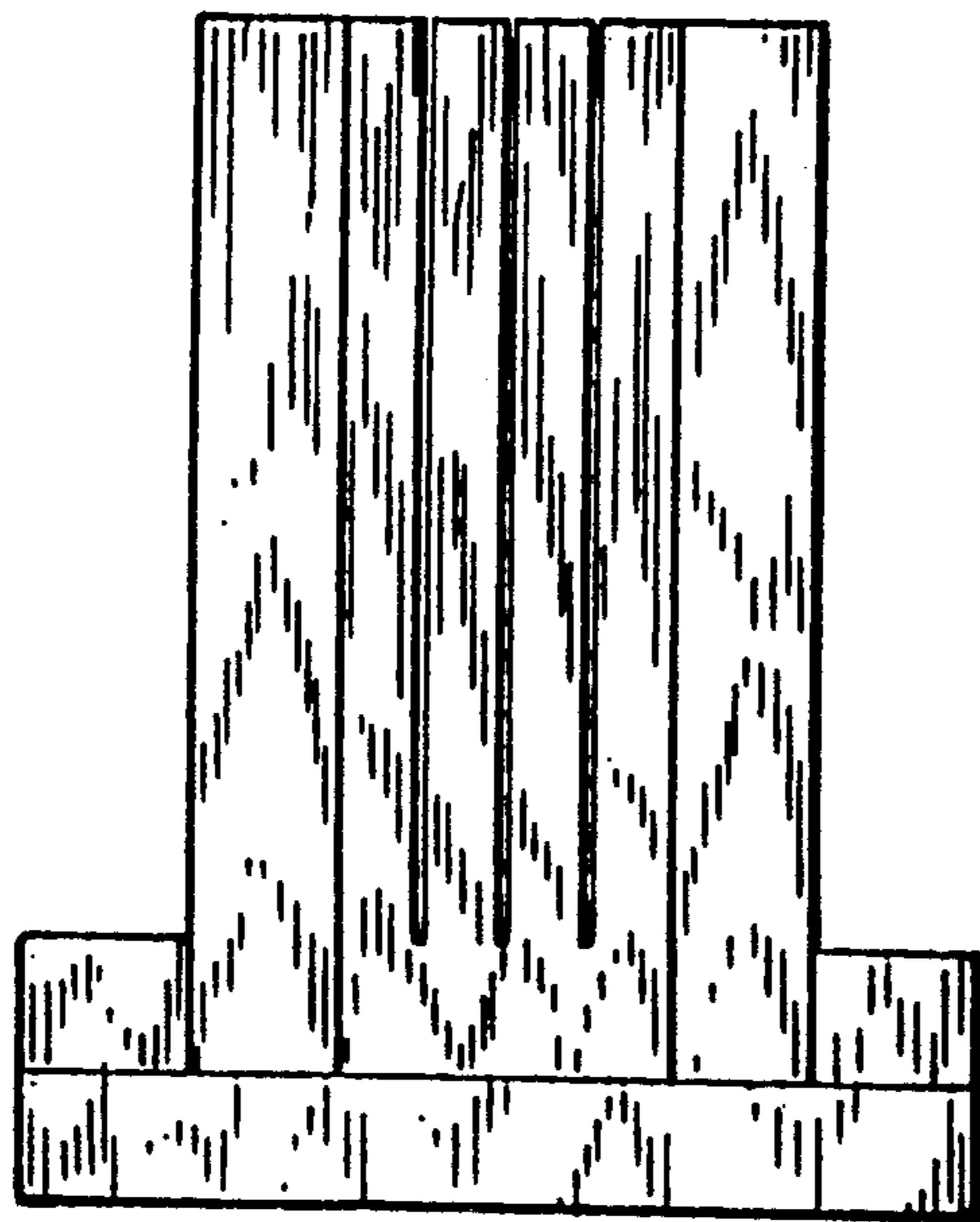


FIG. 10

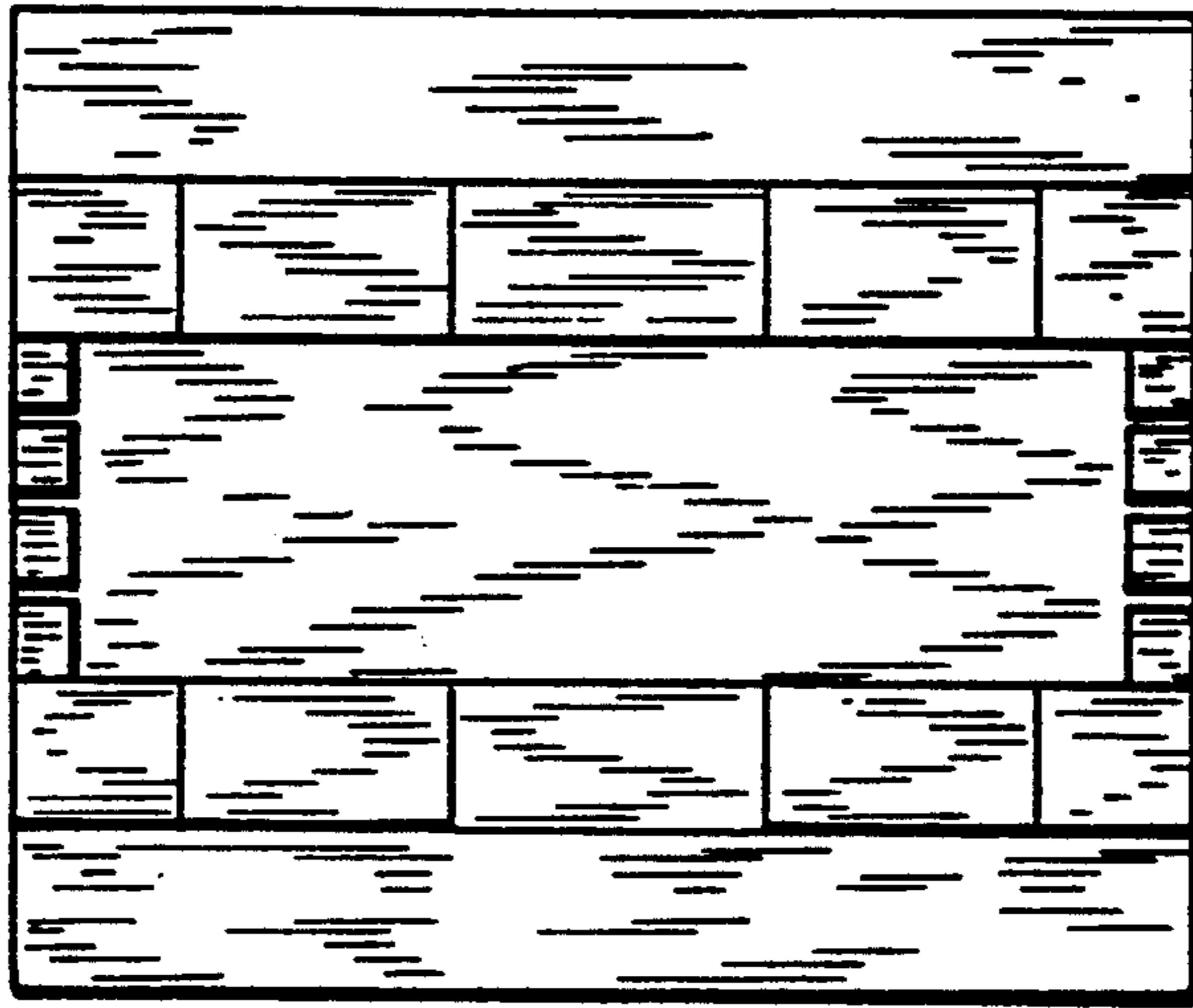


FIG. 11



FIG. 12