



US00D330313S

# United States Patent [19]

[11] Patent Number: **Des. 330,313**

Green

[45] Date of Patent: **\*\* Oct. 20, 1992**

[54] CANNED FOOD PRESS

4,355,574 10/1982 Bond ..... D7/666

[76] Inventor: **Kevin J. Green, R.R. 1 Box 3520, Edgecomb, Me. 04556**

*Primary Examiner*—Terry A. Pfeffer  
*Attorney, Agent, or Firm*—Leon Gilden

[\*\*] Term: **14 Years**

[57] **CLAIM**

[21] Appl. No.: **564,978**

The ornamental design for a canned food press, as shown and described.

[22] Filed: **Aug. 9, 1990**

**DESCRIPTION**

[52] U.S. Cl. .... **D7/666; D7/686**

[58] Field of Search ..... **D7/666, 674, 686, 687; 100/104, 125, 234, 243; 294/12, 16, 28, 29, 32**

FIG. 1 is a front elevational view of the canned food press showing my new design;

FIG. 2 is a rear elevational view thereof;

FIG. 3 is a left side elevational view thereof;

FIG. 4 is a right side elevational view thereof;

FIG. 5 is a top plan view thereof; and,

FIG. 6 is a bottom plan view thereof.

[56] **References Cited**

**U.S. PATENT DOCUMENTS**

D. 311,116 10/1990 Pentland ..... D7/666

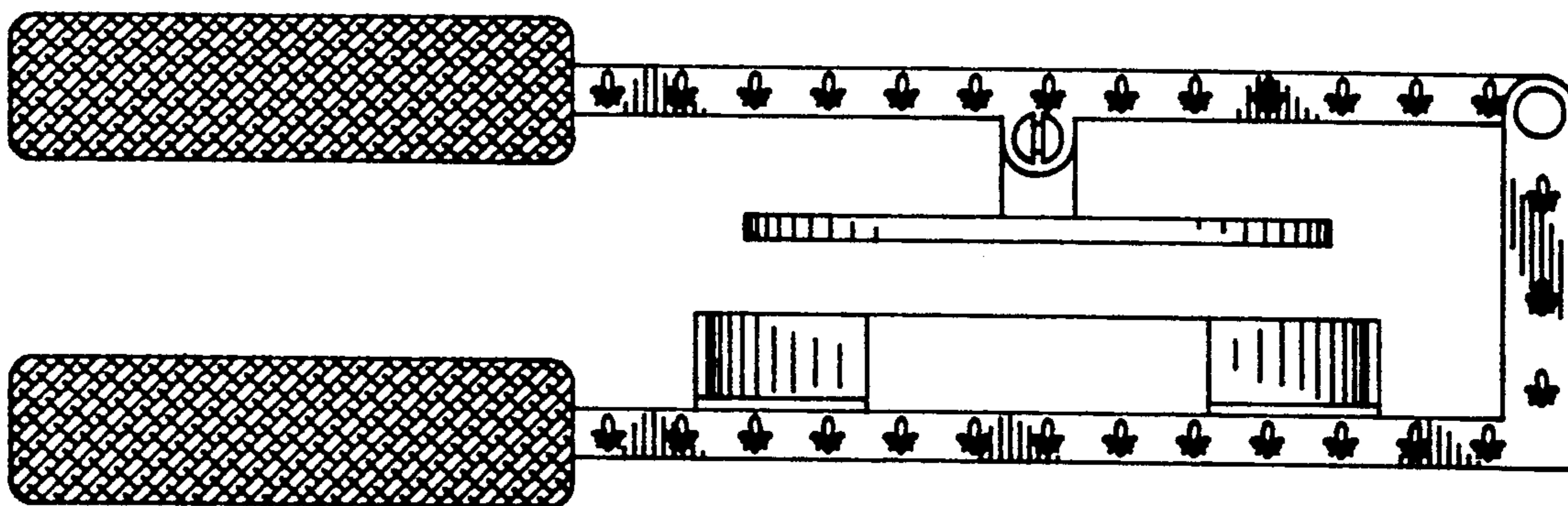


FIG. 1

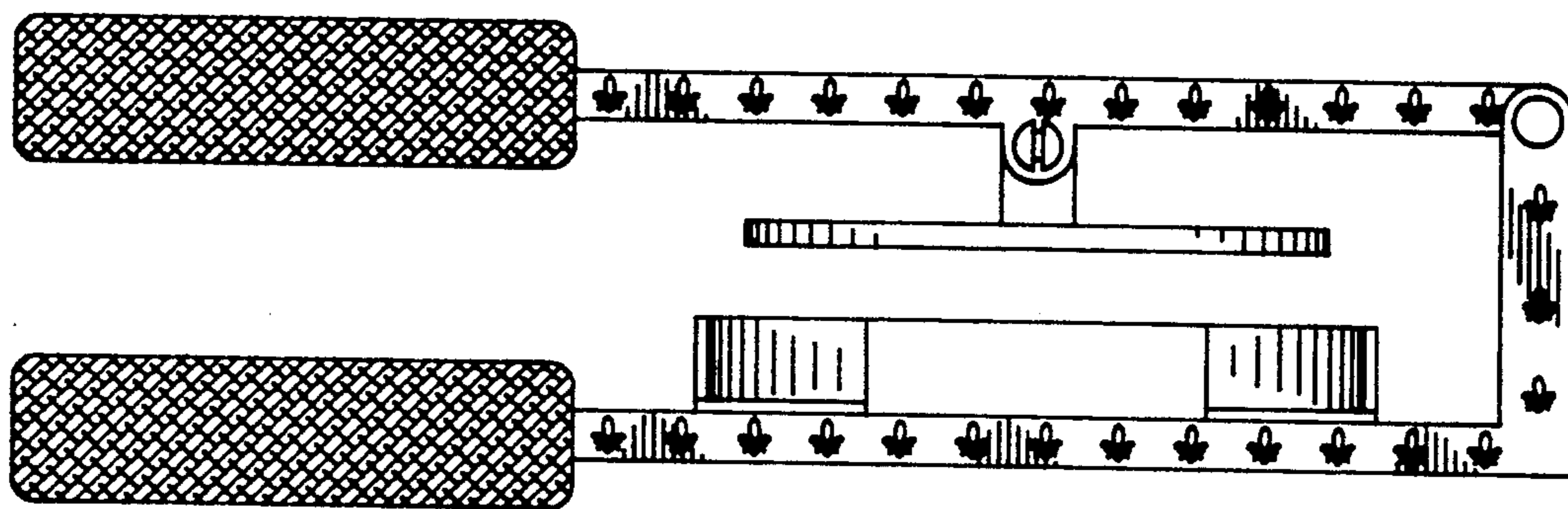
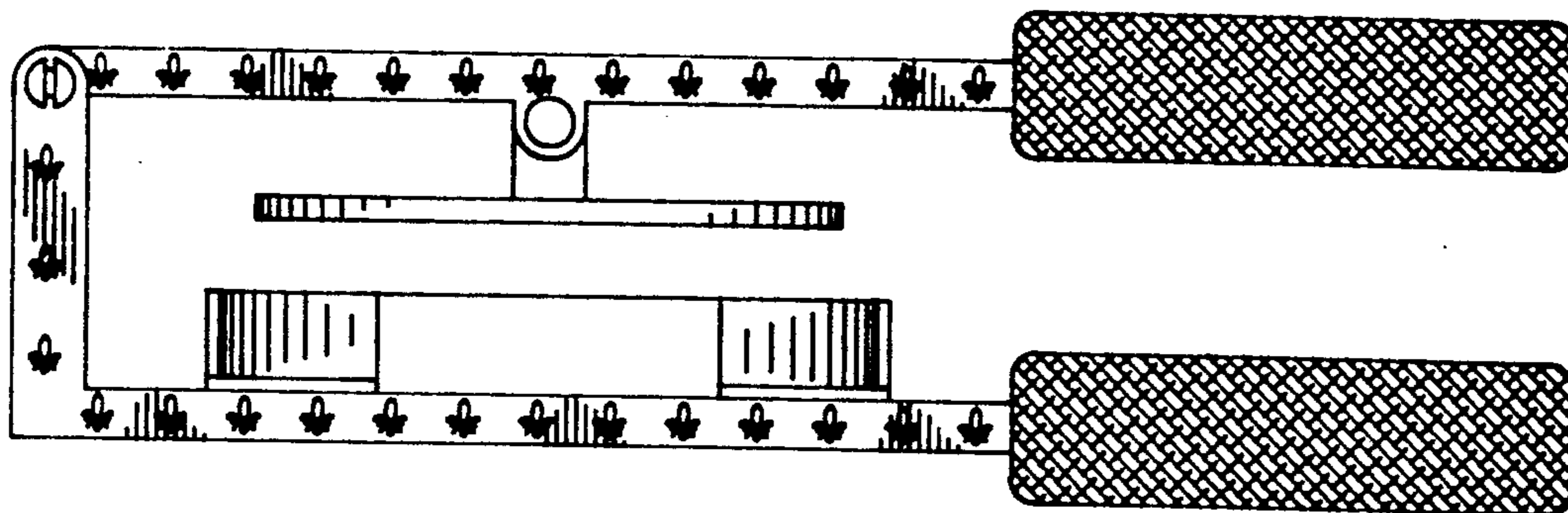
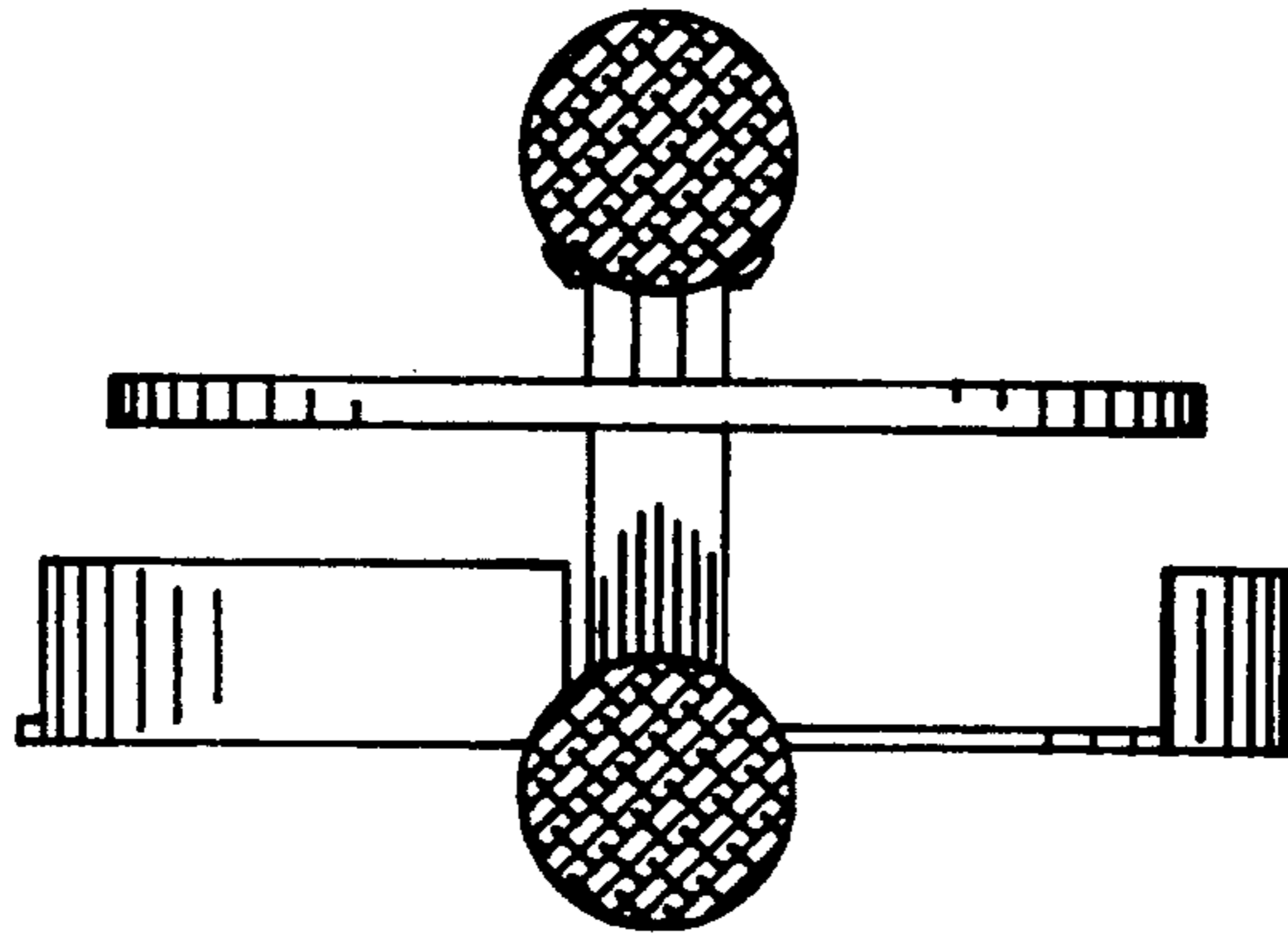


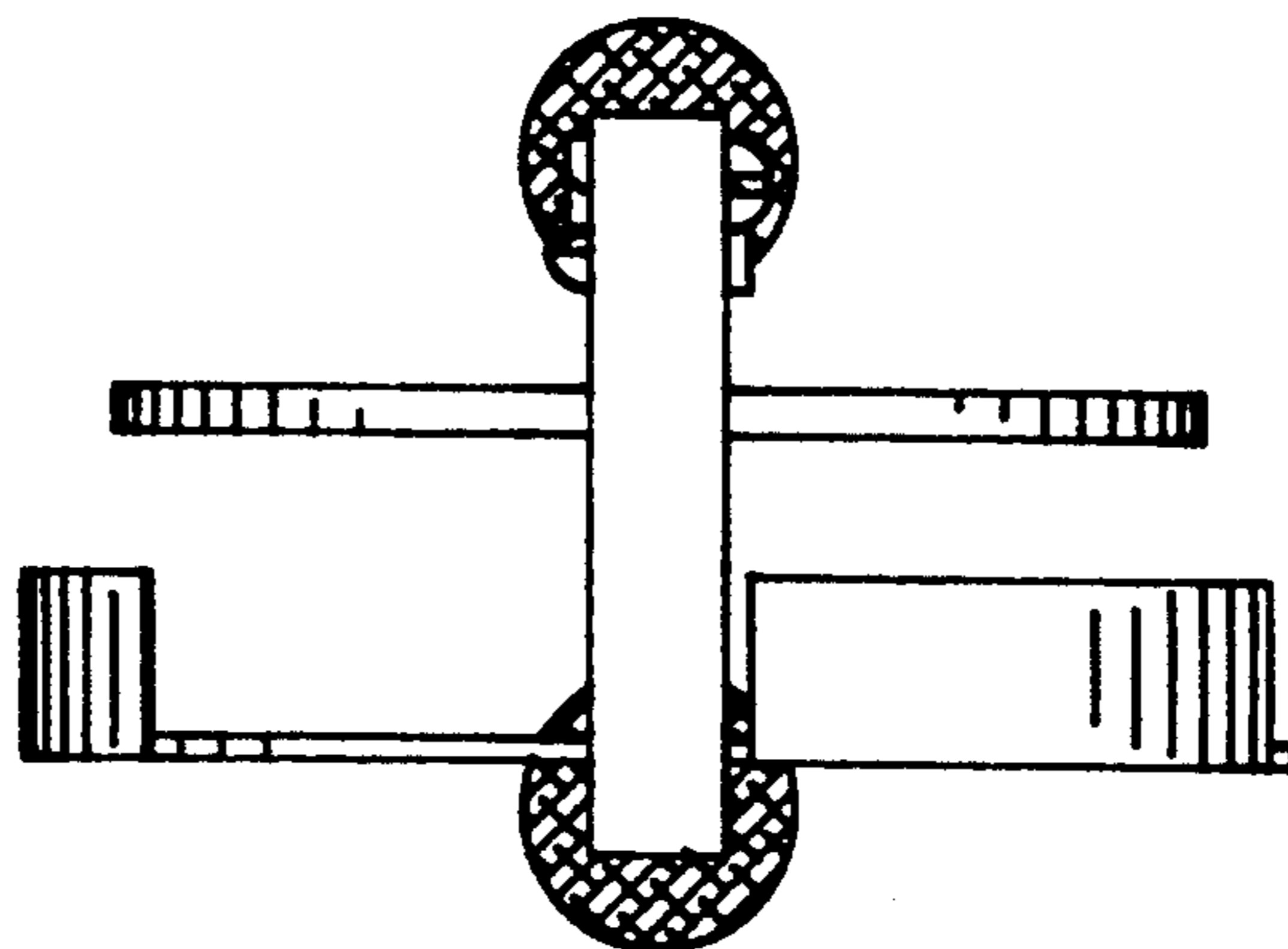
FIG. 2



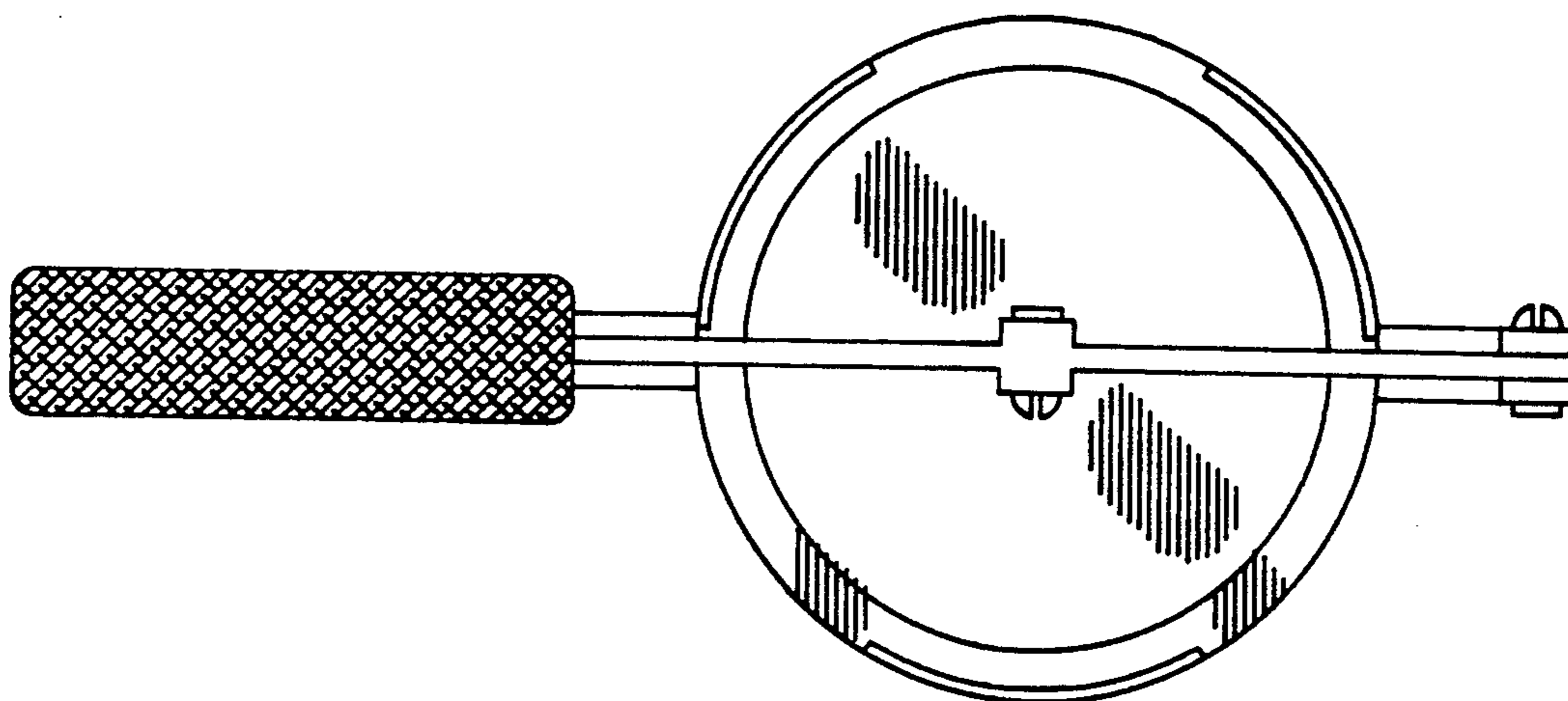
*FIG. 3*



*FIG. 4*



*FIG. 5*



*FIG. 6*

