



US00D330309S

United States Patent [19]

[11] Patent Number: **Des. 330,309**

Minuti

[45] Date of Patent: **** Oct. 20, 1992**

[54] **CHEESE-DISH**

[75] Inventor: **Furio Minuti, Macerata, Italy**

[73] Assignee: **Fratelli Guzzini S.p.A., Recanati, Italy**

[**] Term: **14 Years**

[21] Appl. No.: **471,815**

[22] Filed: **Jan. 29, 1990**

[30] **Foreign Application Priority Data**

Aug. 23, 1989 [IT] Italy 21622/89[U]
[52] U.S. Cl. **D7/538; D7/543; D7/602**

[58] **Field of Search** **D7/587, 548, 550, 545, D7/543, 542, 505, 538, 540, 596, 600, 601, 602, 629, 354; 220/912, 913, 307, DIG. 13, 334; 206/457; D9/351, 352, 353, 435, 454, 399; D3/30.1, 78**

[56] **References Cited**

U.S. PATENT DOCUMENTS

D. 194,119 11/1962 Perl **D7/587 X**

D. 271,001	10/1983	Montoya	D9/454
D. 299,009	12/1988	Schneider	D9/435 X
D. 306,408	3/1990	Umbeck	D9/399 X
2,677,947	5/1954	Guilder	D7/543 X
3,421,681	4/1967	Frank	D9/454 X
4,427,654	10/1984	Fruchter	206/457 X
4,724,979	2/1988	Cleevly et al.	220/307 X
4,815,607	3/1989	Agapiou	206/457 X

Primary Examiner—Donald P. Walsh
Assistant Examiner—M. N. Pandozzi
Attorney, Agent, or Firm—Hedman, Gibson & Costigan

[57] **CLAIM**

The ornamental design for a cheese-dish, as shown and described.

DESCRIPTION

FIG. 1 is a top perspective view of a cheese-dish showing my new design;
FIG. 2 is a front elevational view thereof;
FIG. 3 is a rear elevational view thereof;
FIG. 4 is a right side elevational view, the left side being a mirror image thereof;
FIG. 5 is a top plan view thereof; and,
FIG. 6 is a bottom plan view thereof.

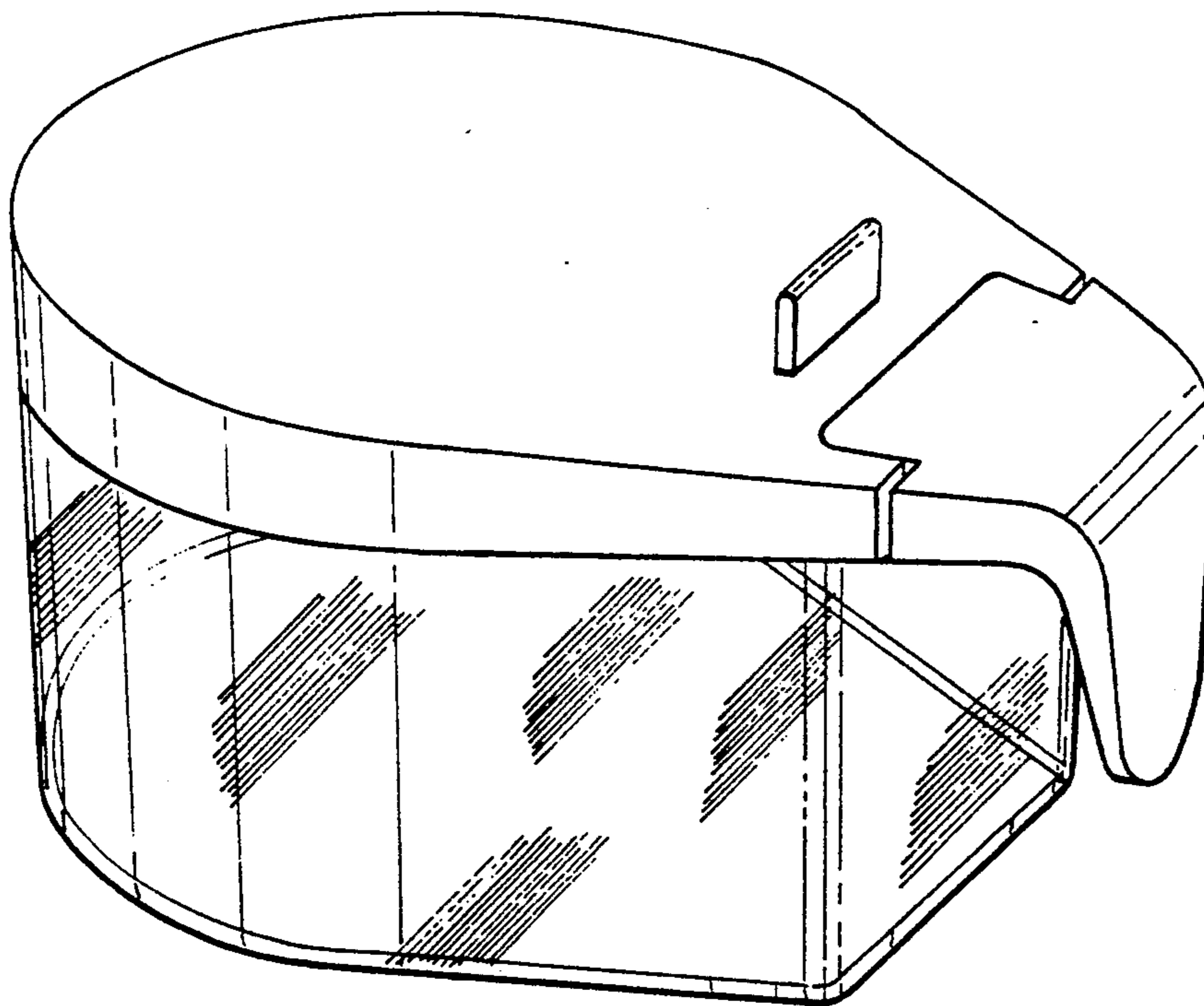


Fig.1

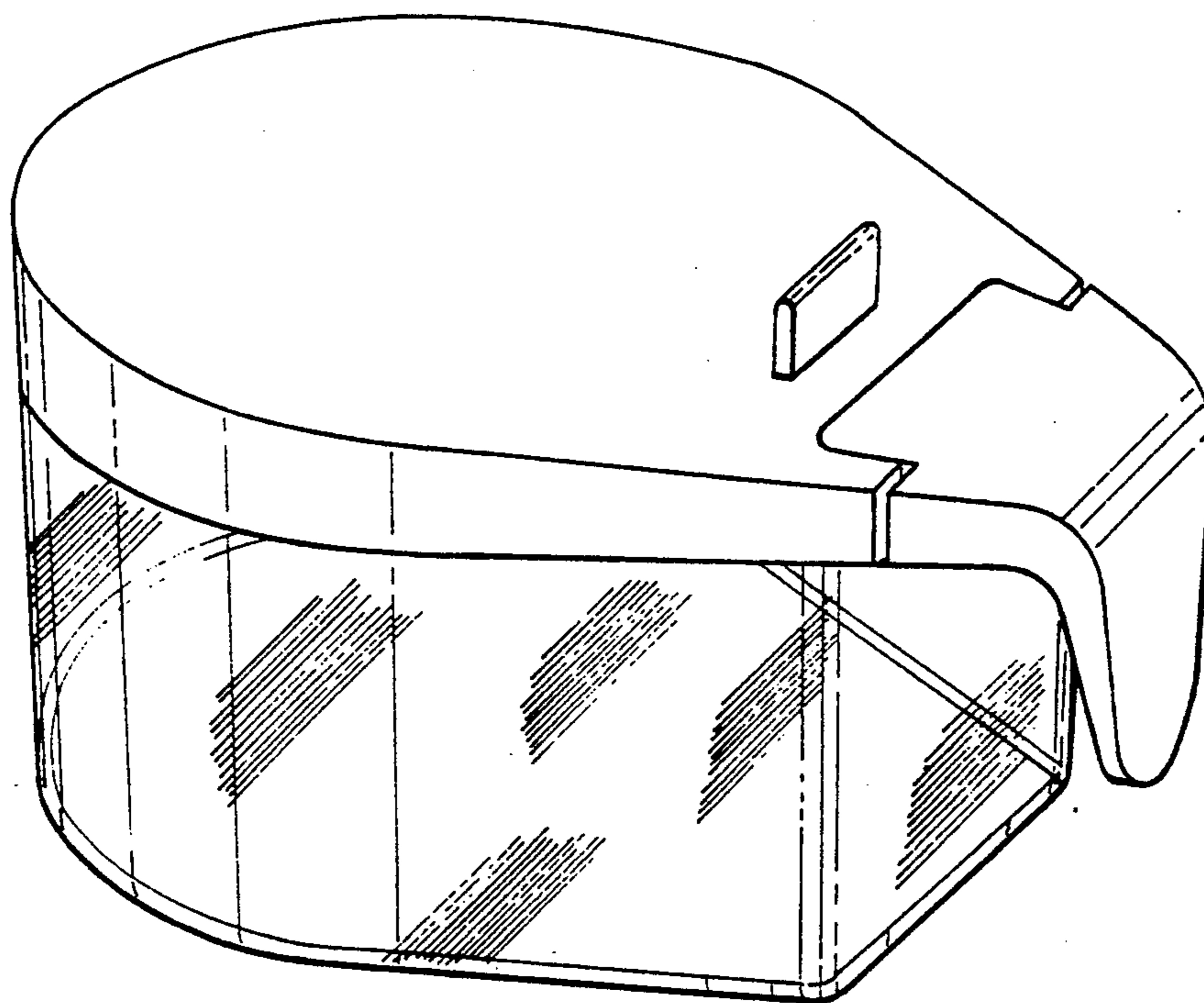


Fig.4

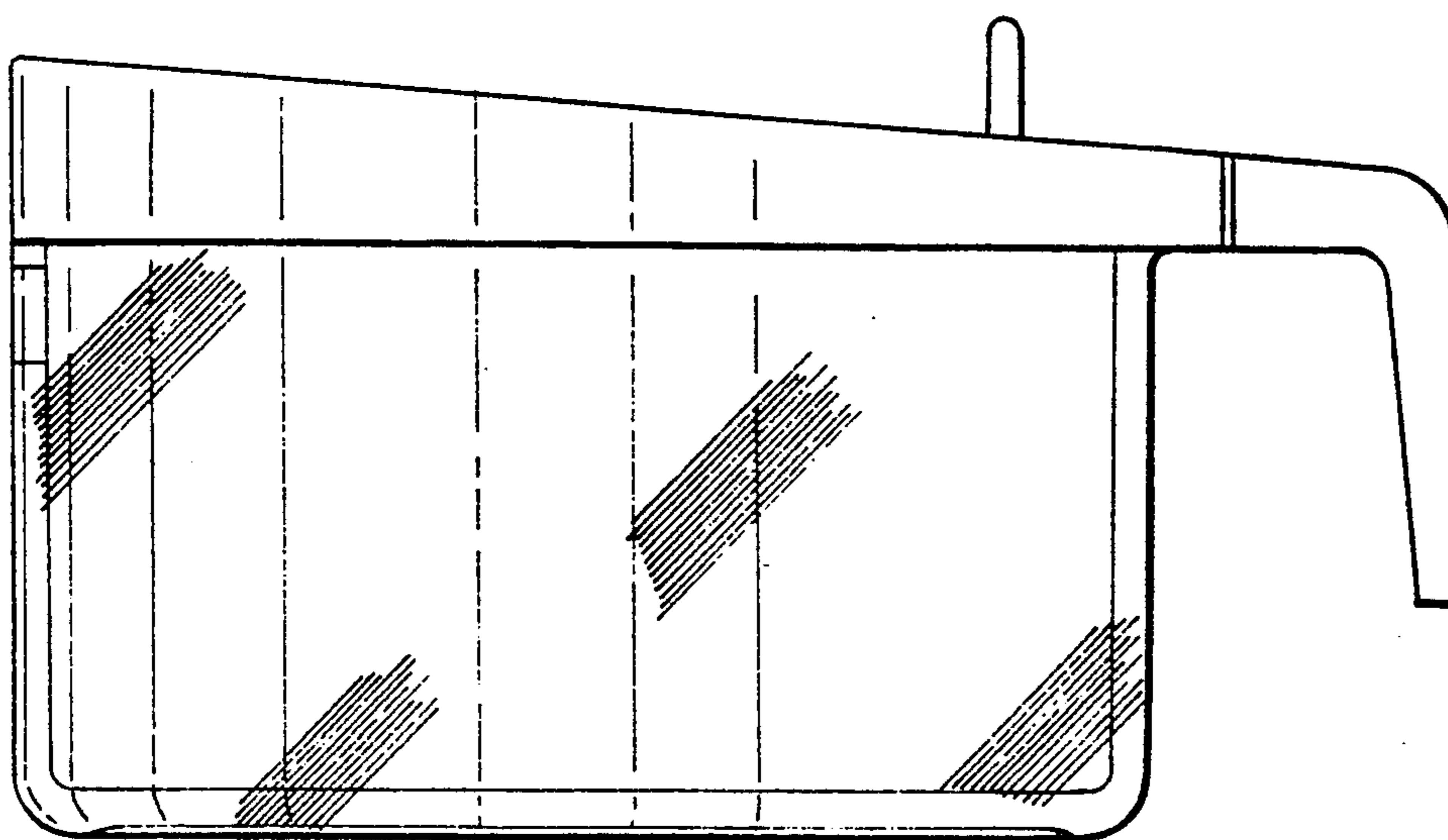


Fig.3

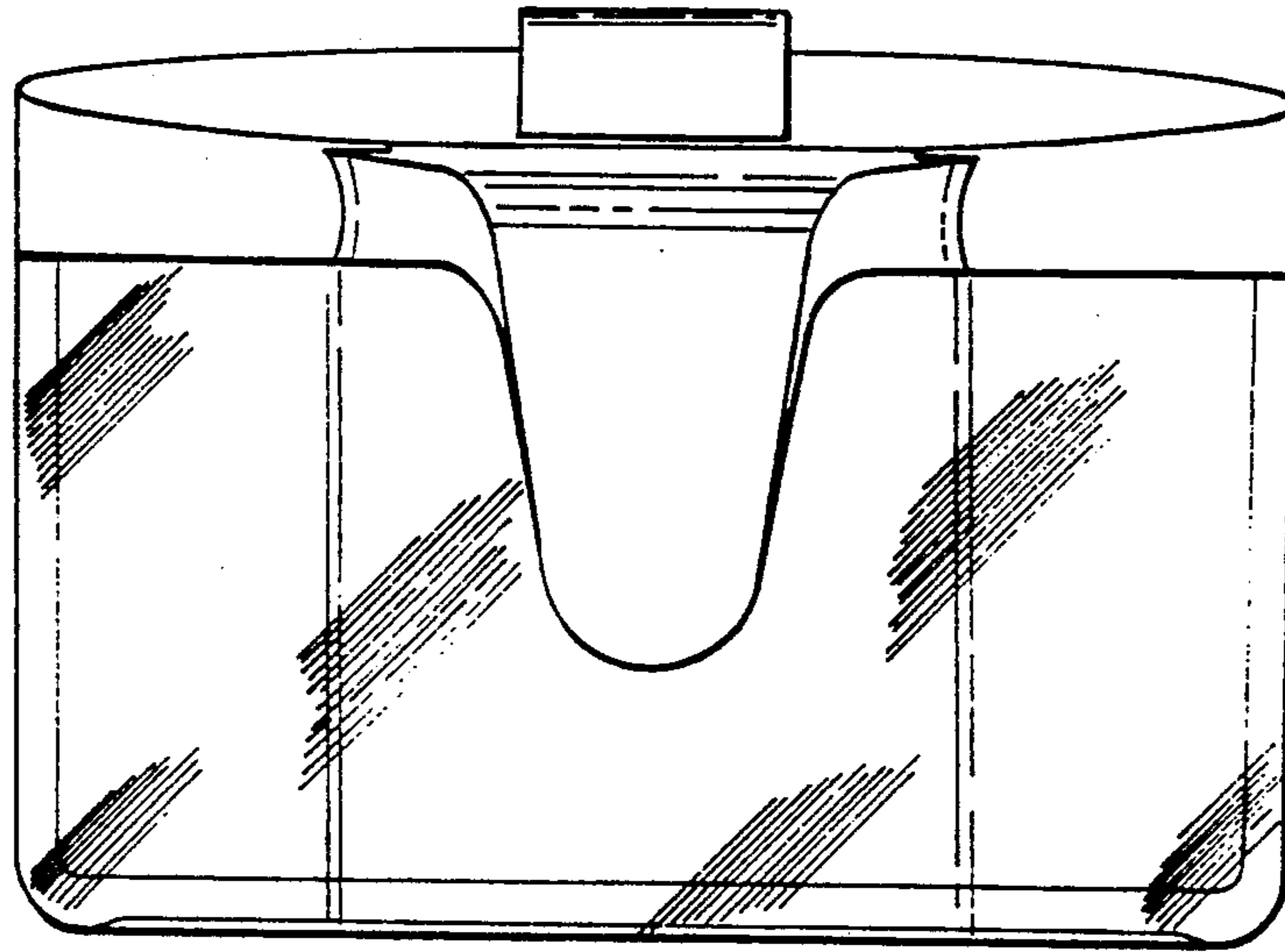


Fig.2

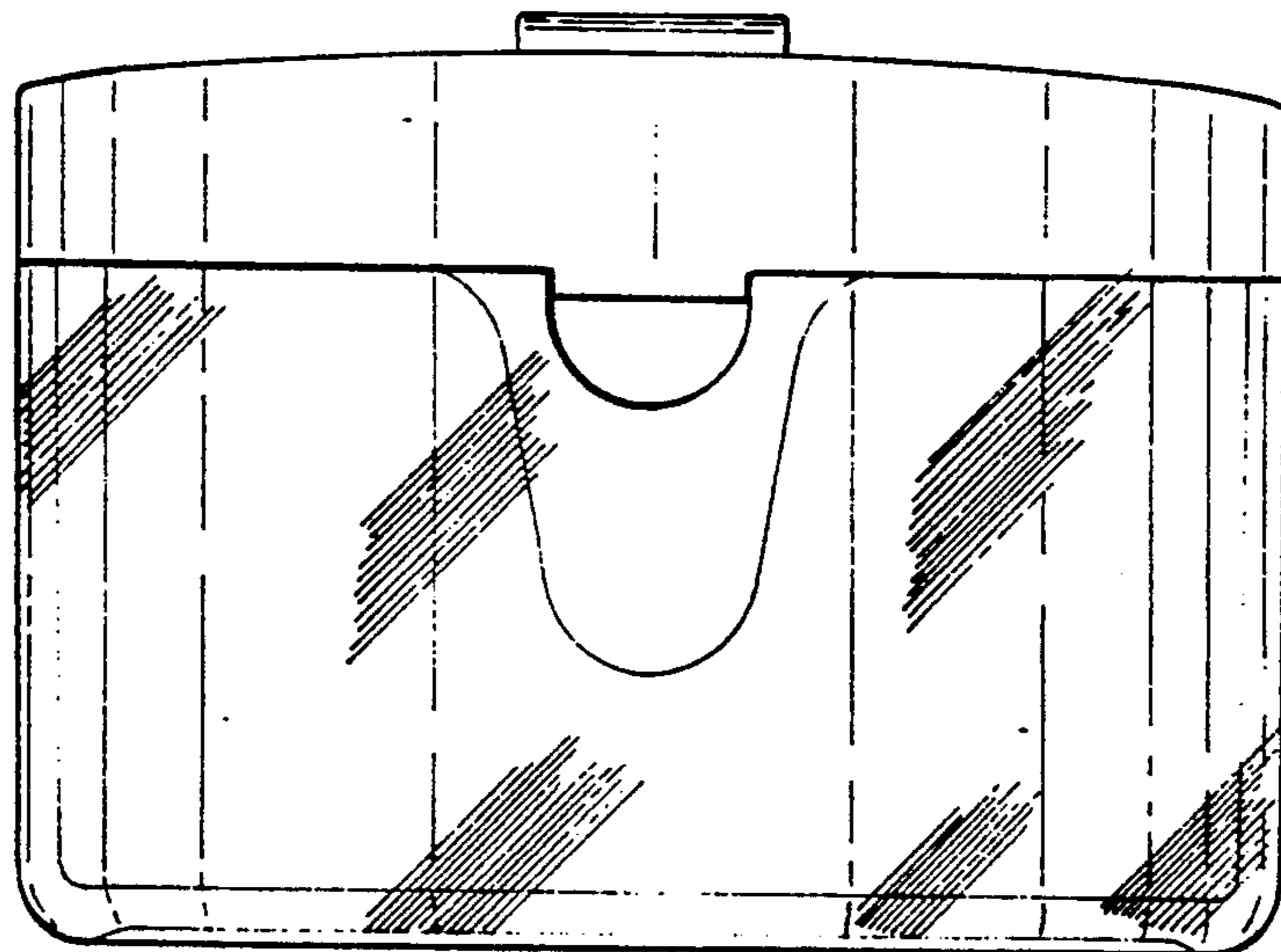


Fig. 5

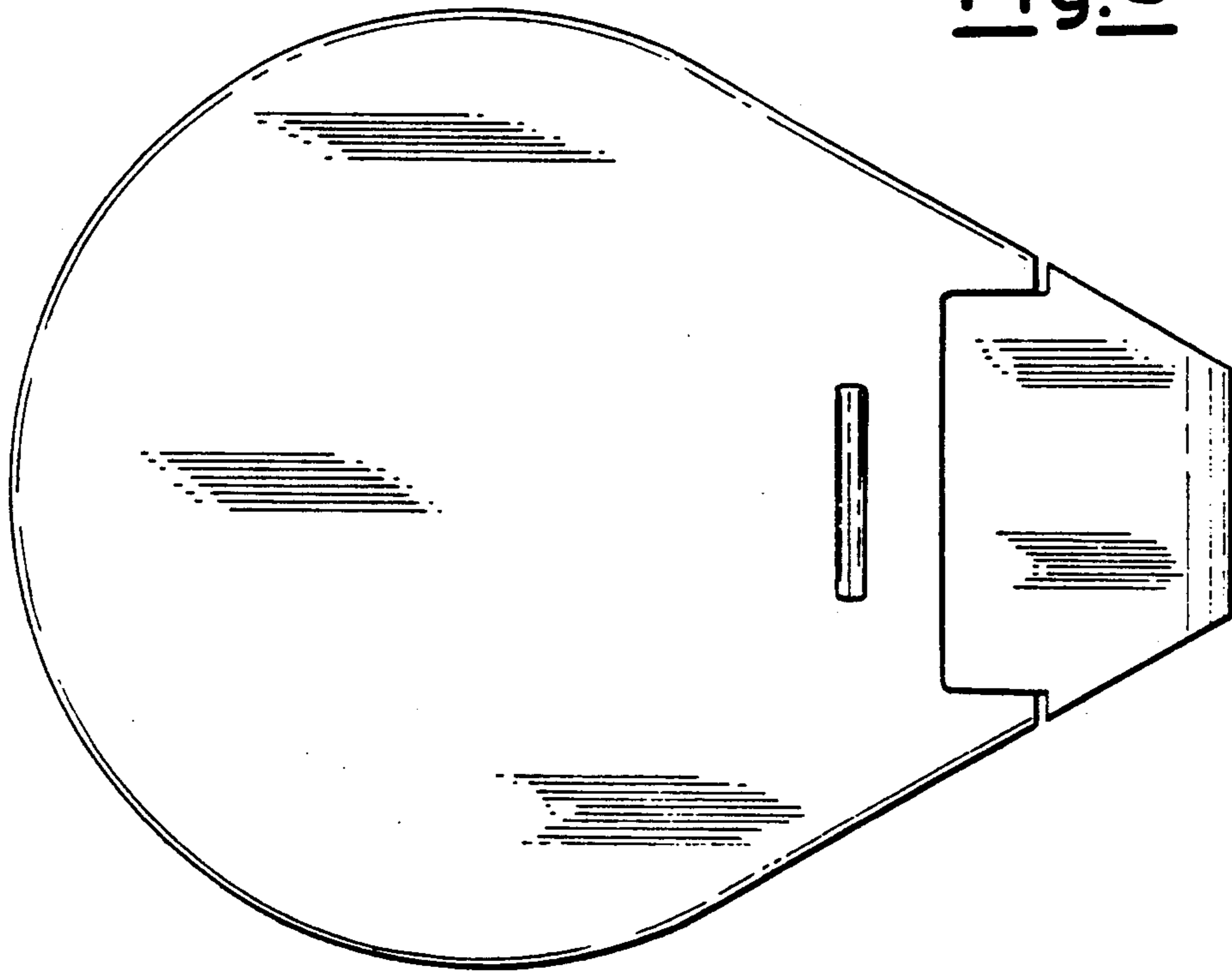


Fig. 6

