



US00D330299S

United States Patent [19]

[11] Patent Number: **Des. 330,299**

Saotome

[45] Date of Patent: **** Oct. 20, 1992**

- [54] **DESK**
- [75] Inventor: **Hiroshi Saotome, Machida, Japan**
- [73] Assignee: **Okamura Corporation, Japan**
- [*] Notice: The portion of the term of this patent subsequent to May 5, 2006 has been disclaimed.
- [**] Term: **14 Years**
- [21] Appl. No.: **266,499**
- [22] Filed: **Nov. 3, 1988**
- [30] **Foreign Application Priority Data**
 May 19, 1988 [JP] Japan 63-19407
- [52] U.S. Cl. **D6/429; D6/484**
- [58] Field of Search D6/480-485,
 D6/487-488, 495, 511, 400, 429, 449

- D. 311,833 11/1990 Newhouse D6/480 X
- D. 312,928 12/1990 Scheffers D6/429
- D. 314,105 1/1991 Vossoughi D6/484

OTHER PUBLICATIONS

Krueger Catalog, GSA Furniture, p. 9-Unit Assemblies, 2nd from top.

Primary Examiner—Nelson C. Holtje
Assistant Examiner—Janice E. Seeger
Attorney, Agent, or Firm—Beveridge, DeGrandi & Weilacher

[57] CLAIM

The ornamental design for a desk, as shown and described.

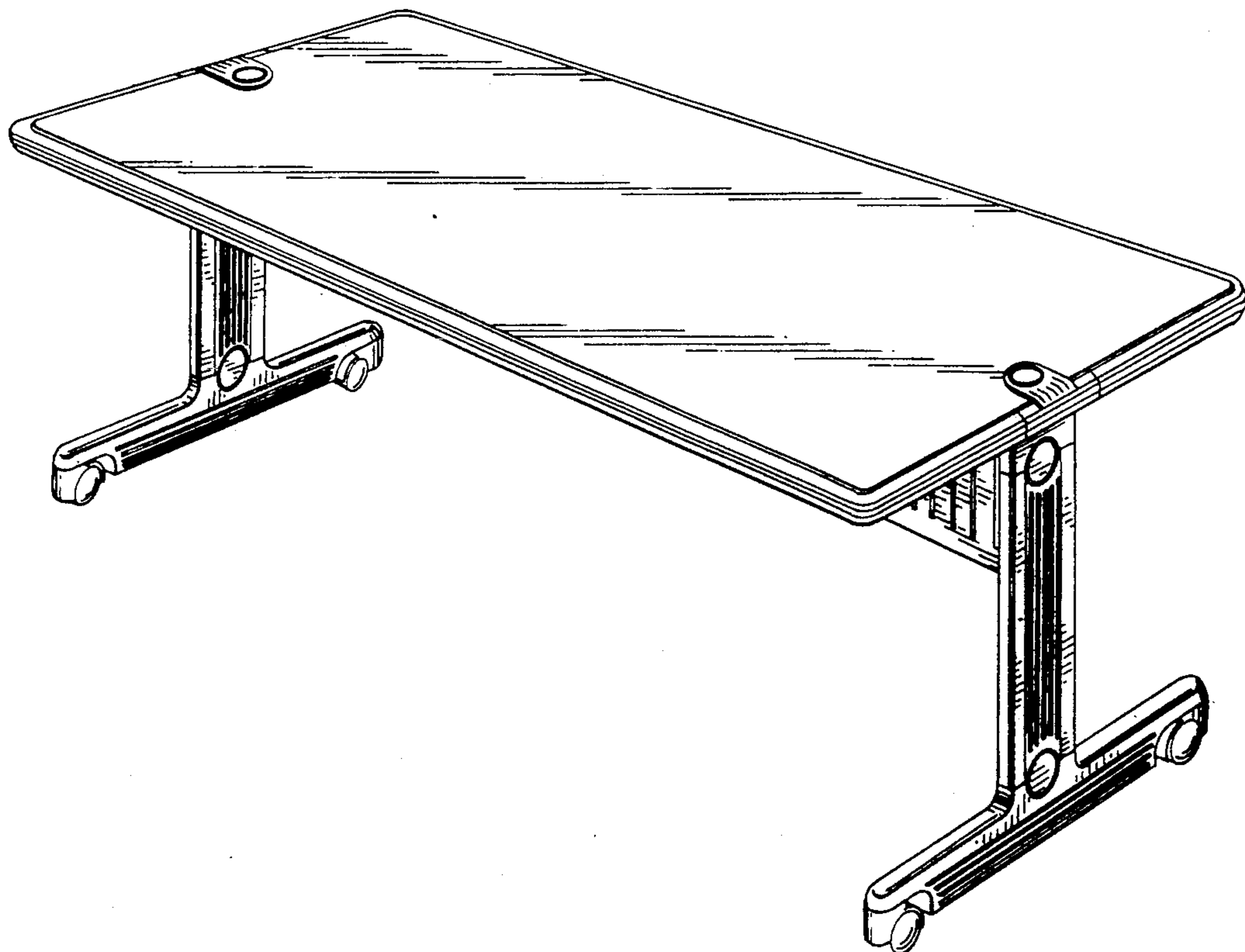
DESCRIPTION

FIG. 1 is a perspective view of a desk, showing my new design;
 FIG. 2 is a perspective view of the desk in folded condition;
 FIG. 3 is a top plan view;
 FIG. 4 is a side elevational view, the opposite side being identical thereto;
 FIG. 5 is an end elevational view, the opposite end being identical thereto; and,
 FIG. 6 is a bottom plan view.

[56] References Cited

U.S. PATENT DOCUMENTS

- D. 144,872 5/1946 Rhodes D6/484
- D. 164,295 8/1951 Gierlich D6/429
- D. 236,058 7/1975 Kramer D6/484
- D. 284,532 7/1986 Vogt D6/480 X
- D. 292,765 11/1987 Esslinger et al. D6/484



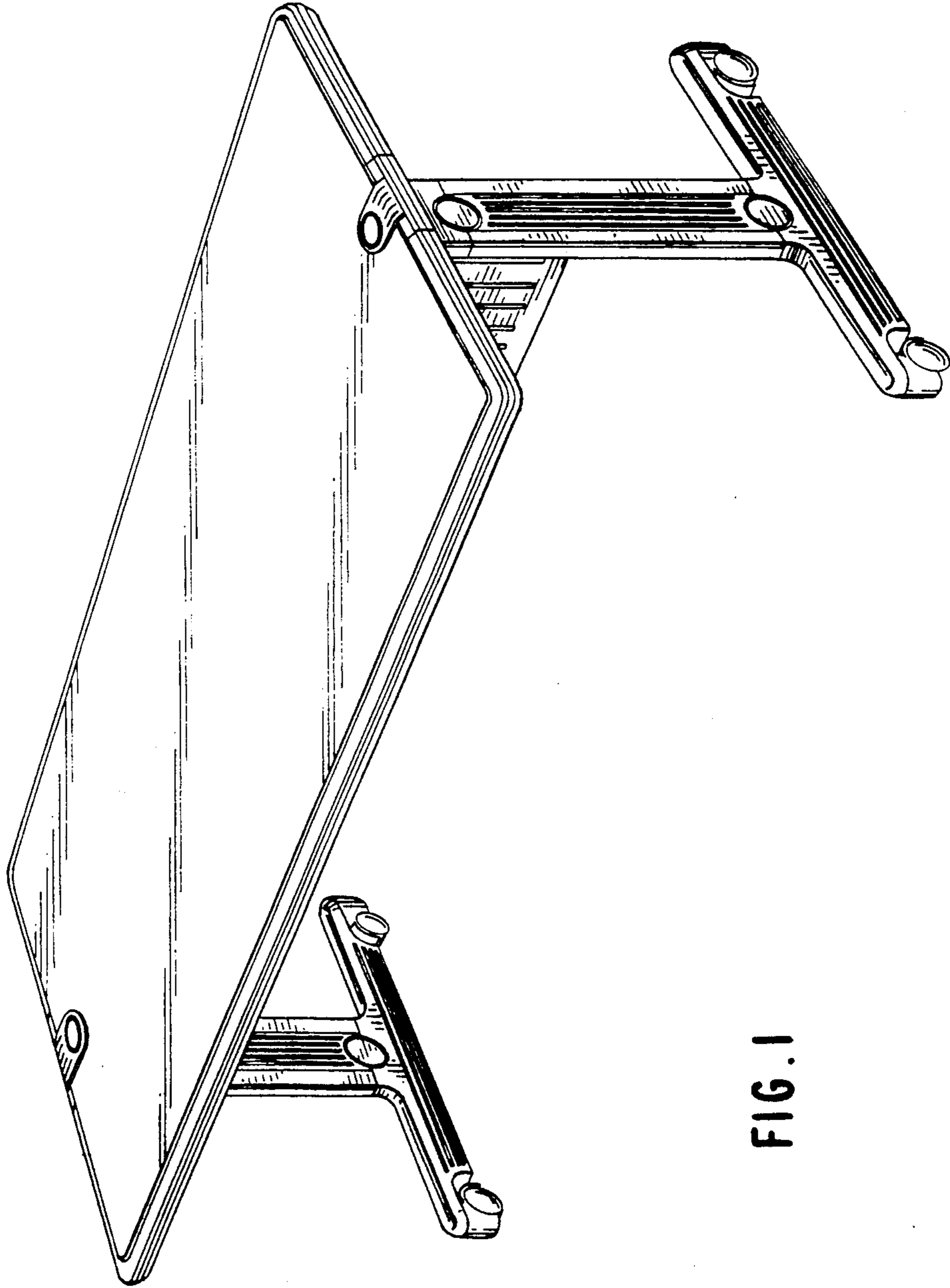


FIG. 1

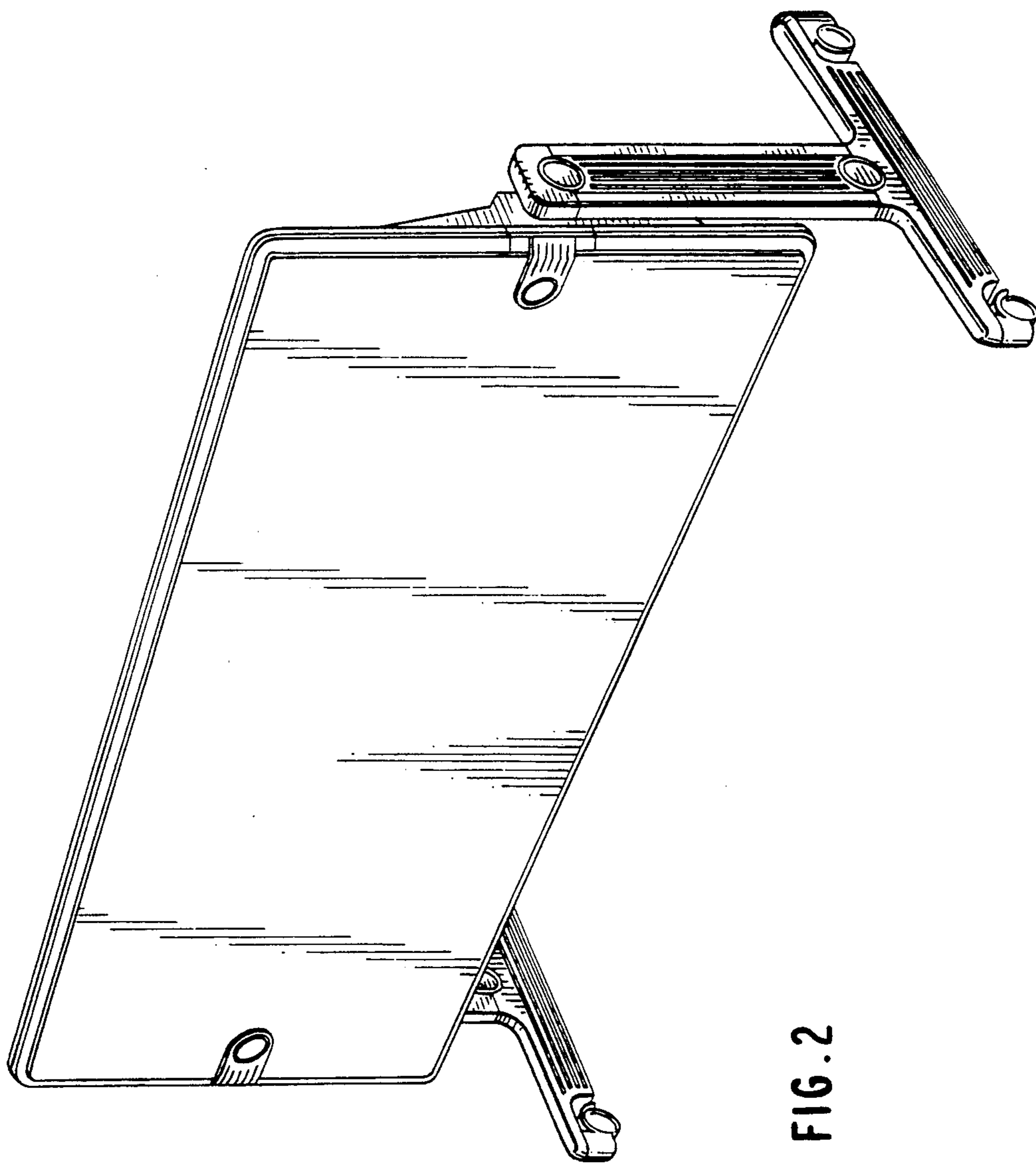


FIG. 2

FIG. 3

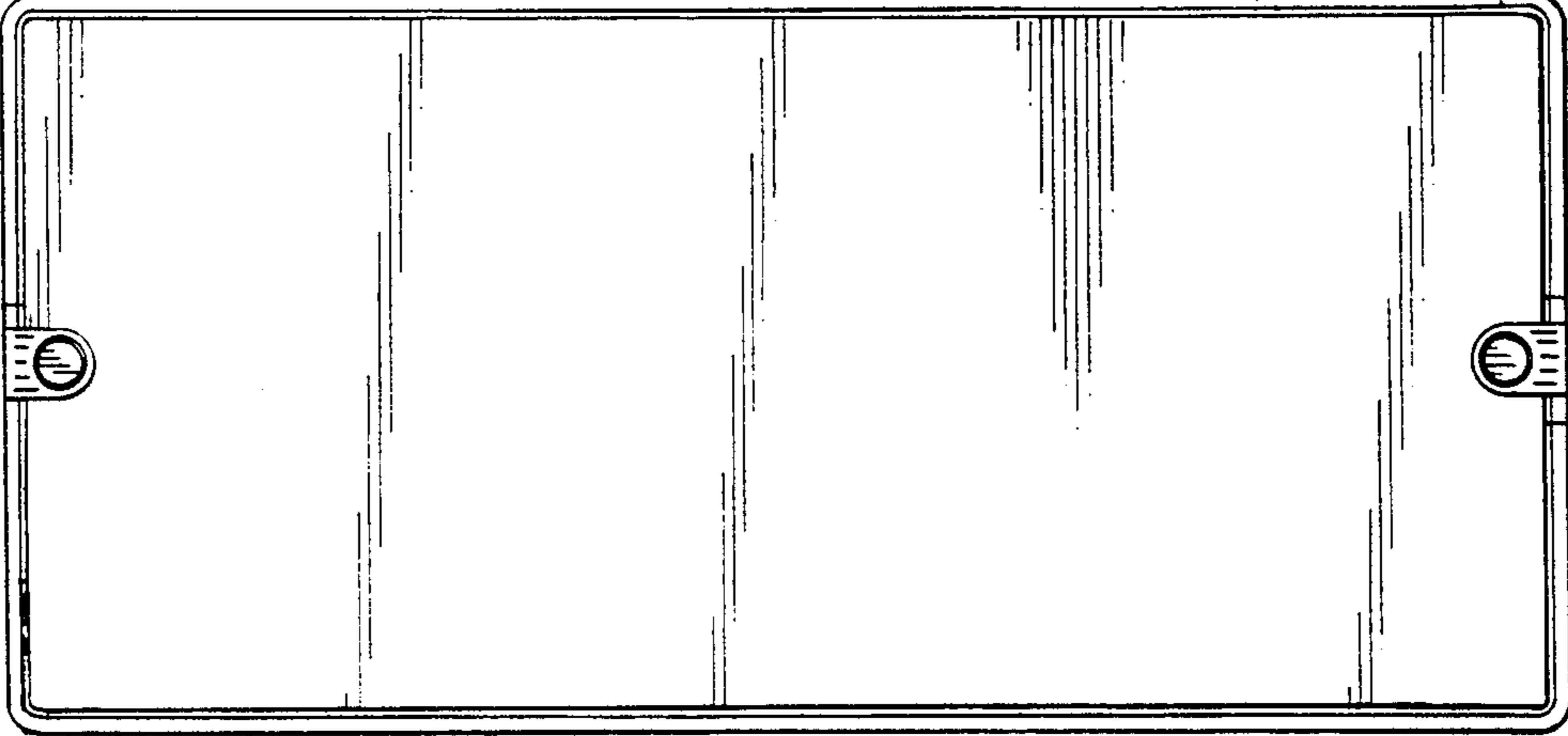


FIG. 4

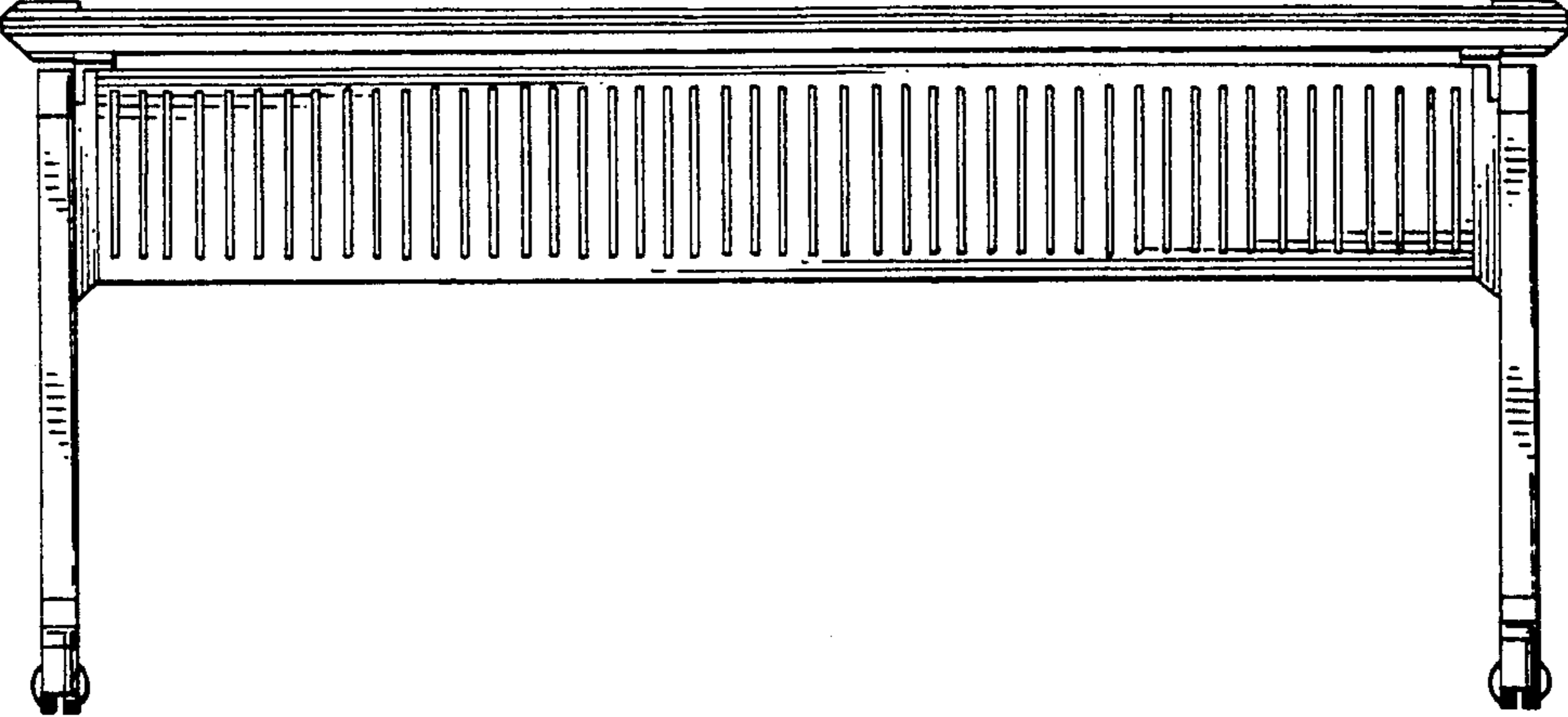


FIG. 5

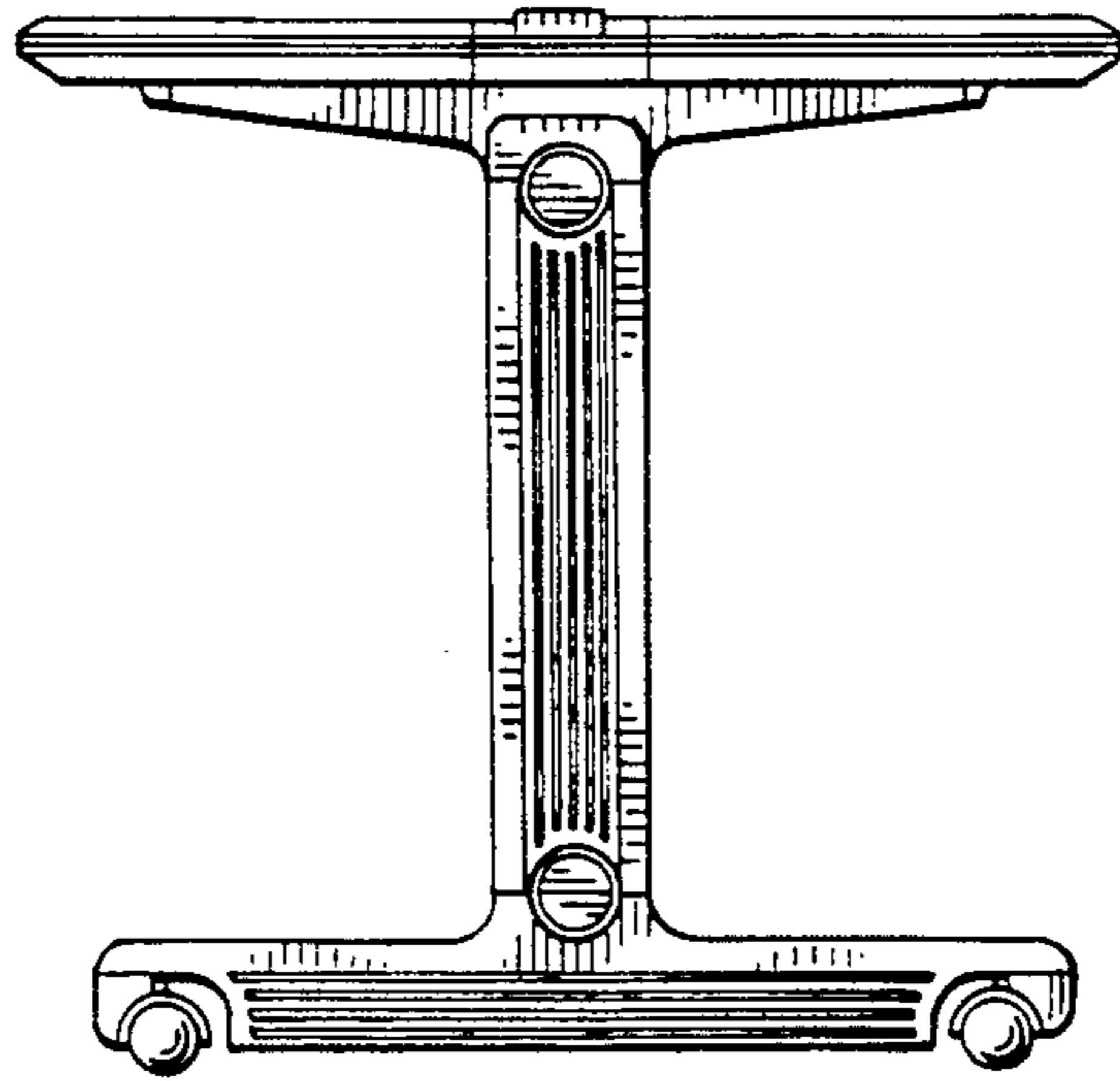


FIG. 6

