



US00D330298S

United States Patent [19]

[11] Patent Number: **Des. 330,298**

Keong

[45] Date of Patent: **** Oct. 20, 1992**

[54] **WORKSTATION TABLE**

[75] Inventor: **Yong Y. Keong**, Kuala Lumpur, Malaysia

[73] Assignee: **Artwright Marketing SDN. BHD.**, Kuala Lumpur, Malaysia

[**] Term: **14 Years**

[21] Appl. No.: **586,713**

[22] Filed: **Sep. 24, 1990**

[30] **Foreign Application Priority Data**

Mar. 29, 1990 [GB] United Kingdom 2005767

[52] U.S. Cl. **D6/426; D6/474; D6/487**

[58] Field of Search **D6/419-428, D6/429-431, 474, 480, 487; 312/194-196; 108/59**

[56] **References Cited**

U.S. PATENT DOCUMENTS

D. 279,740 7/1985 Slager D6/487 X

D. 302,890 8/1989 Ng et al. D6/487 X
D. 304,112 10/1989 Bettess D6/474 X
D. 305,710 1/1990 Ng et al. D6/474
D. 307,084 4/1990 Currie D6/429 X
D. 318,963 8/1991 Haseke et al. D6/474

OTHER PUBLICATIONS

Global Business Furniture Cat. R87 p. 35; Printer Stand item B on page.

Inmac Spring '87 p. 3; Mobile Lab Rack on page.

*Primary Examiner—Carmen H. Vales-Lado
Attorney, Agent, or Firm—Pearne, Gordon, McCoy & Granger*

[57] **CLAIM**

The ornamental design for a workstation table, as shown and described.

DESCRIPTION

FIG. 1 is a perspective view of a workstation table showing my new design;
FIG. 2 is a top plan view thereof;
FIG. 3 is a right side elevational view thereof; and,
FIG. 4 is a front elevational view thereof.

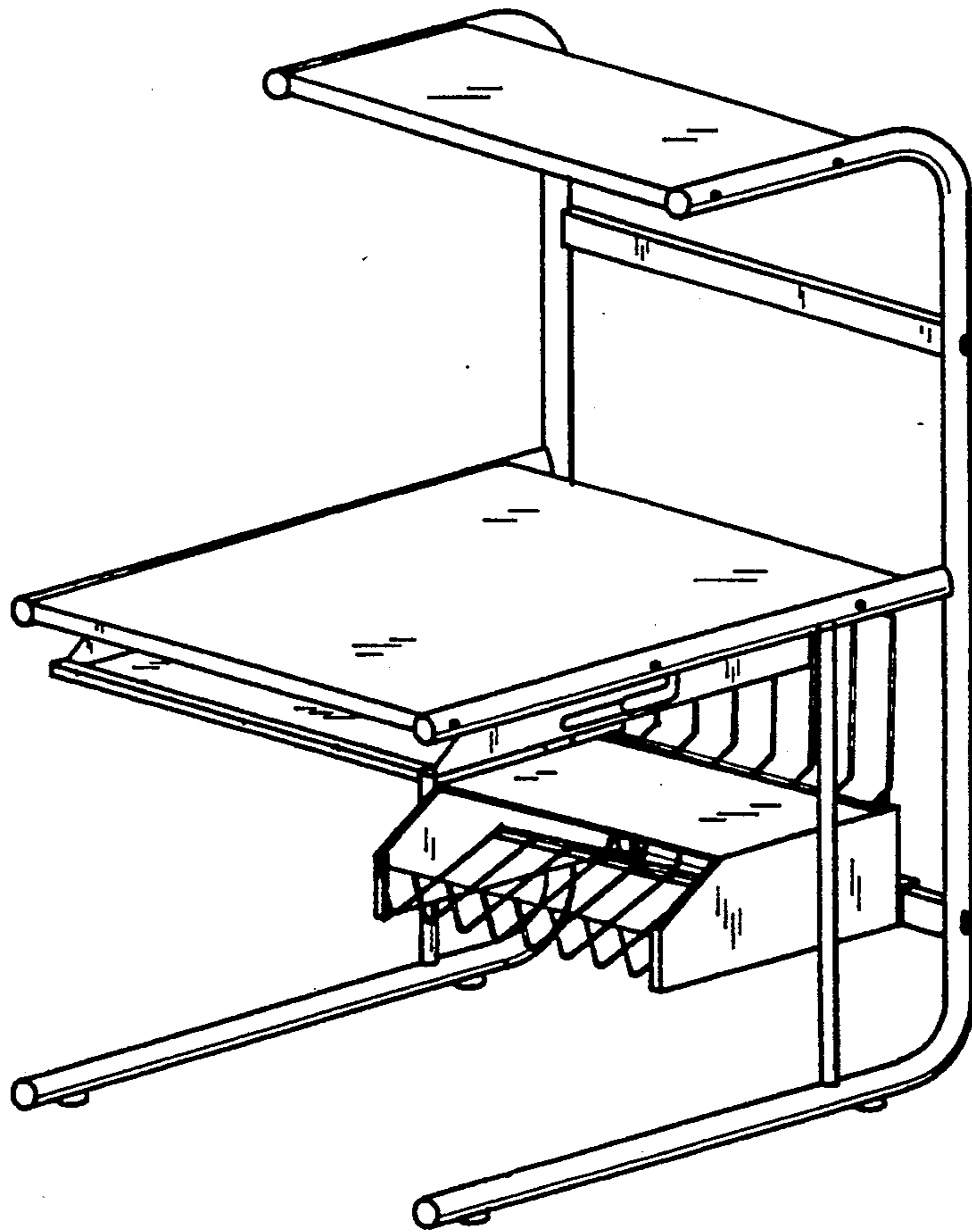


Fig. 1

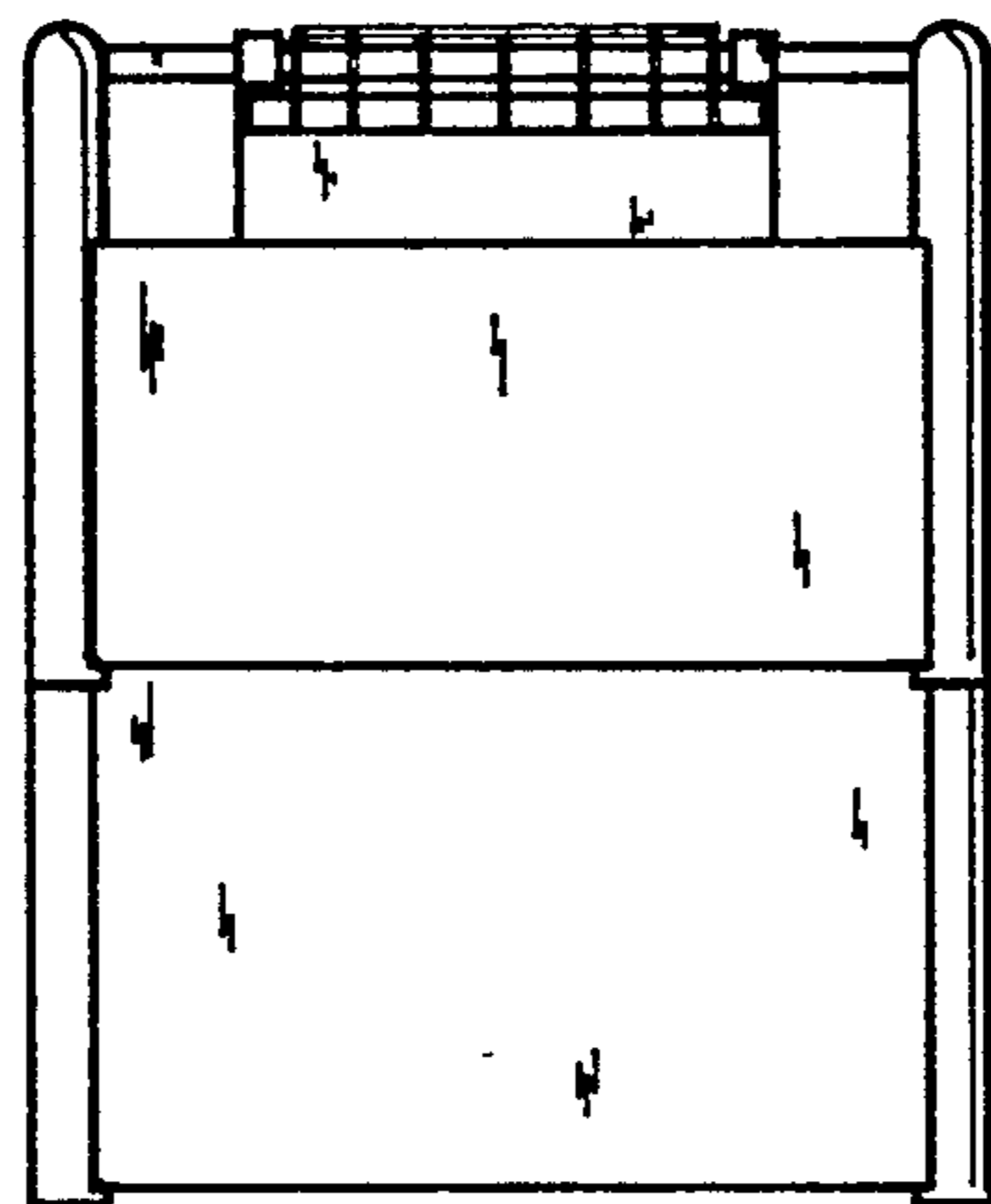
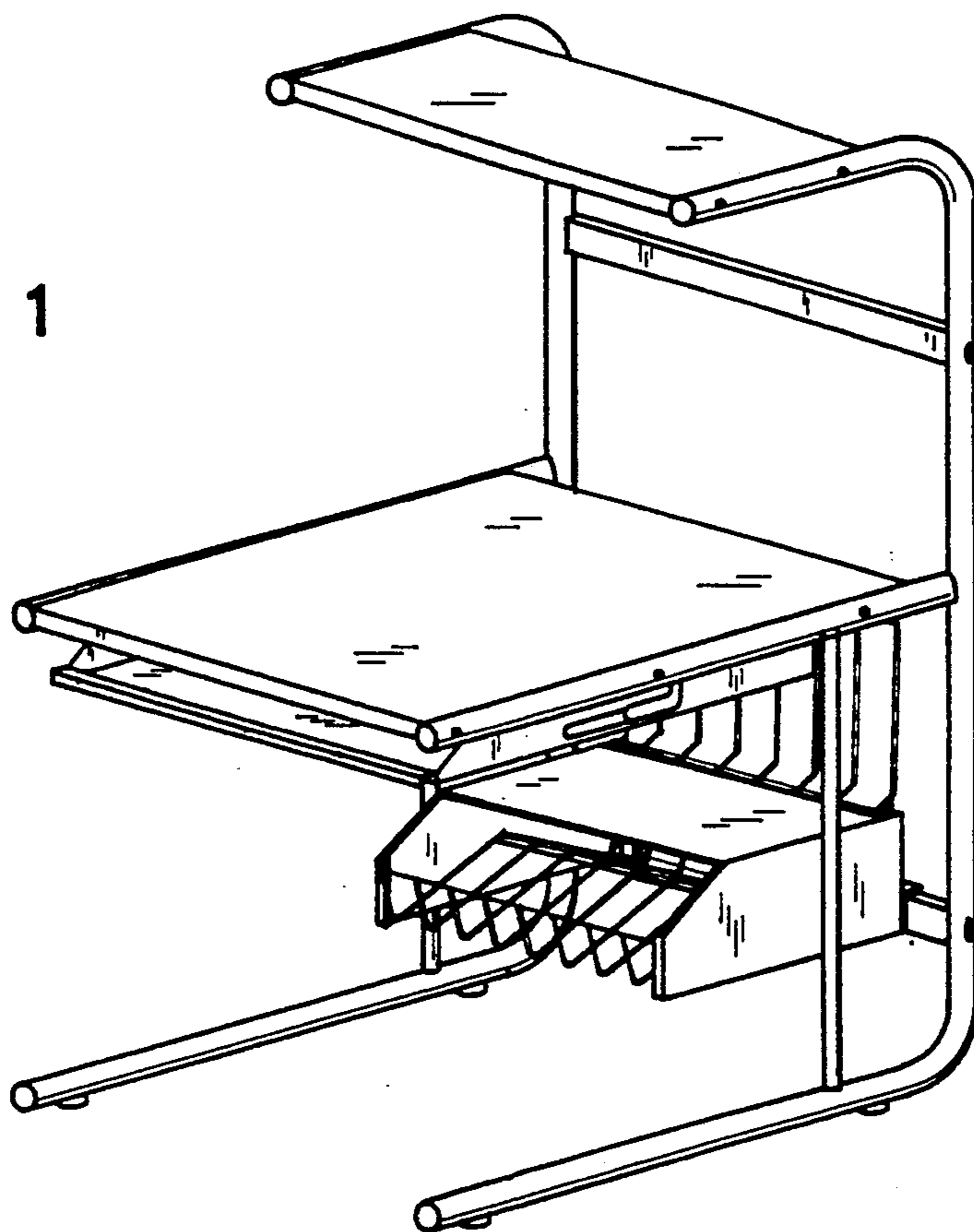


Fig. 2

Fig. 3

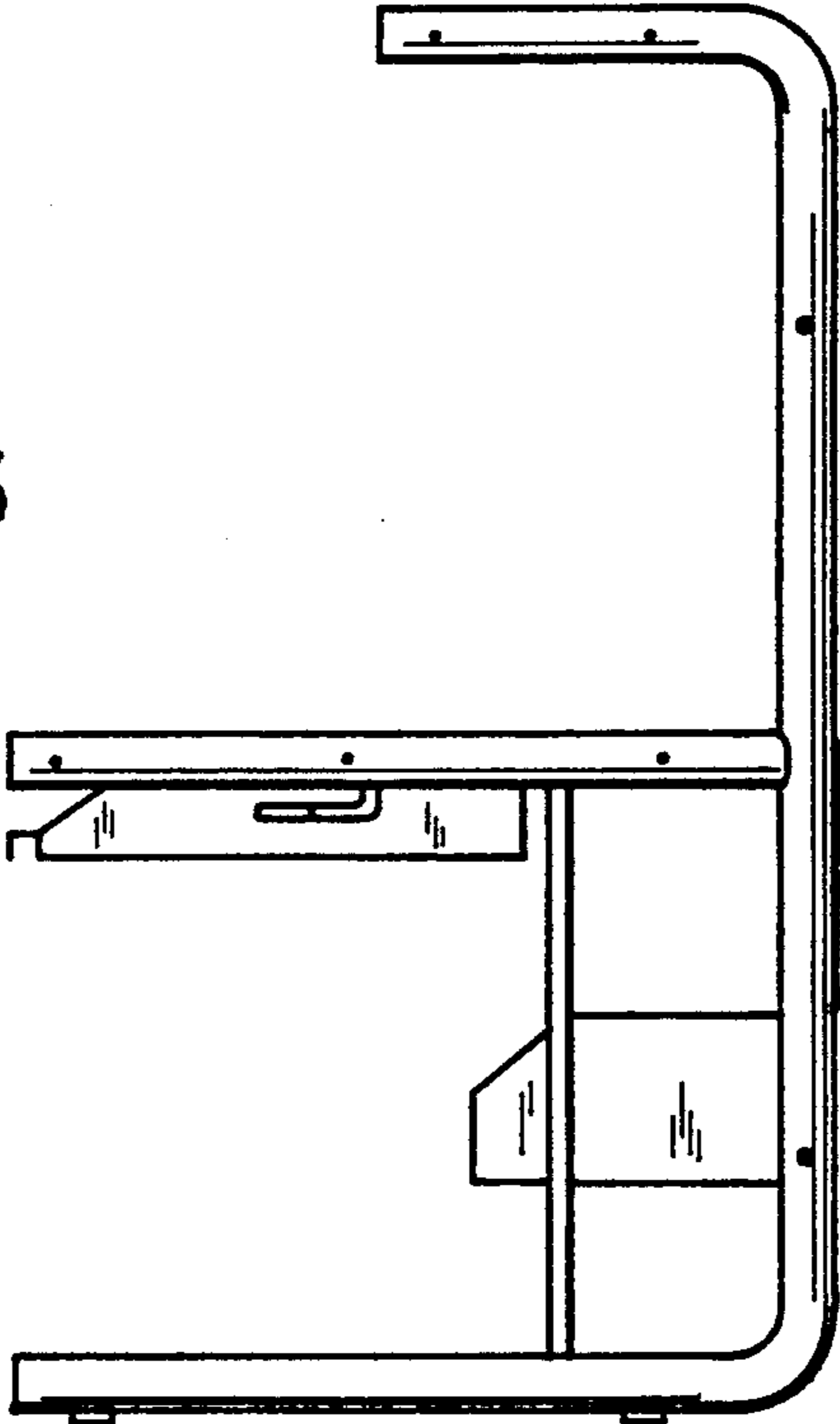


Fig. 4

