



US00D330292S

United States Patent [19]

Nguyen

[11] Patent Number: **Des. 330,292**

[45] Date of Patent: **** Oct. 20, 1992**

[54] **ARM CHAIR**

5,040,847 8/1991 Nguyen 297/447

[76] Inventor: **Chuong Q. B. Nguyen**, 2522 Lance La., Stafford, Tex. 77477

[**] Term: **14 Years**

[21] Appl. No.: **431,316**

[22] Filed: **Nov. 2, 1989**

[52] U.S. Cl. **D6/370; D6/374; D6/375; D6/379**

[58] Field of Search **D6/334, 355, 368, 370, D6/371, 372, 373, 374, 375, 379, 500, 501; 297/447**

[56] **References Cited**

U.S. PATENT DOCUMENTS

| | | | | |
|------------|---------|---------|-------|-----------|
| D. 197,512 | 2/1964 | Poisson | | D6/375 |
| D. 240,873 | 8/1976 | Lewis | | D6/368 |
| 2,649,147 | 8/1953 | Sanford | | 297/447 |
| 4,210,182 | 7/1980 | Danko | | 297/447 X |
| 4,235,473 | 11/1980 | Aginar | | D6/370 X |

OTHER PUBLICATIONS

Industrial Design, Dec. 1969, p. 58, chair at bottom right.

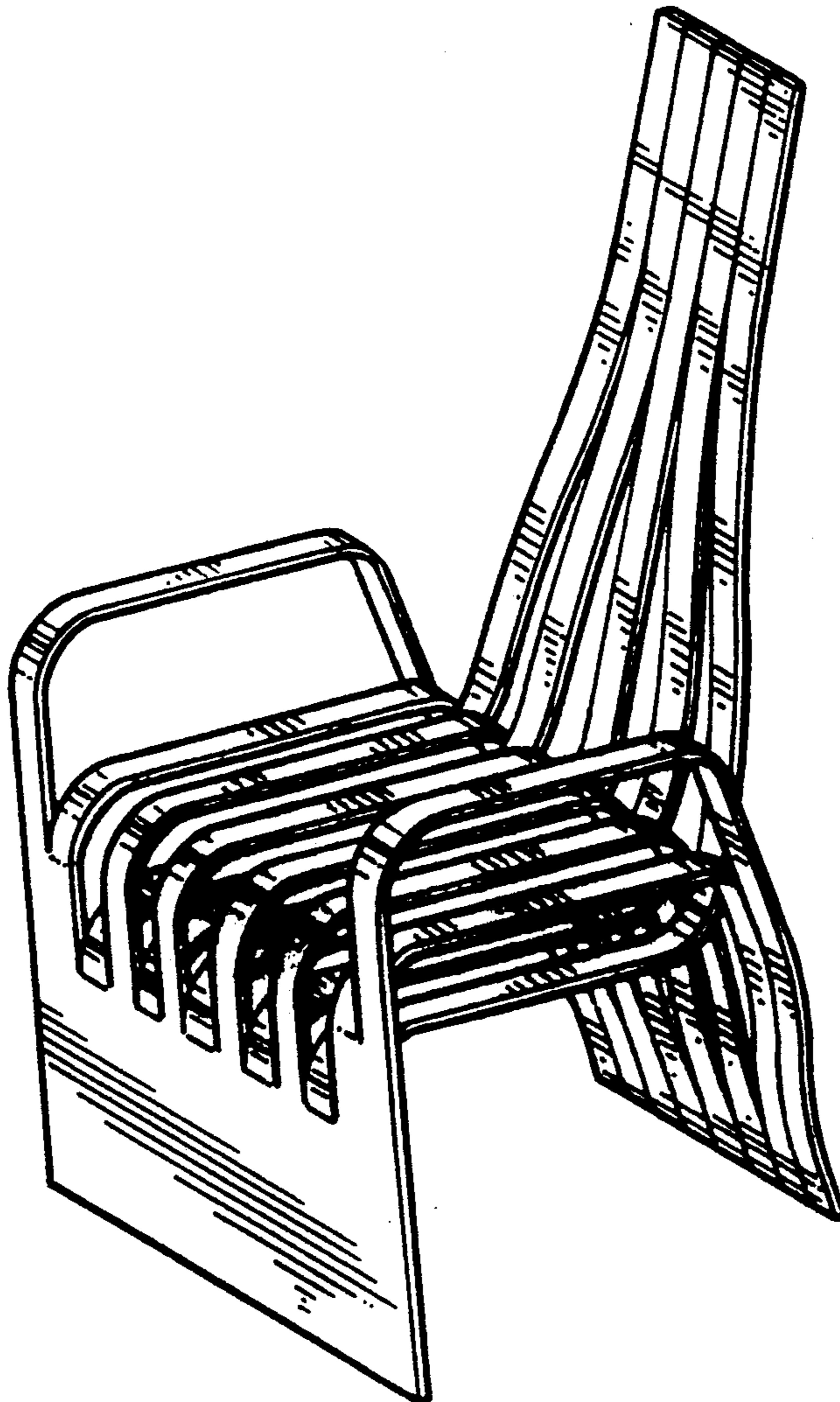
Primary Examiner—Carmen H. Vales-Lado
Assistant Examiner—Gary D. Watson
Attorney, Agent, or Firm—Fish & Richardson

[57] **CLAIM**

The ornamental design for an arm chair, as shown.

DESCRIPTION

FIG. 1 is a right side elevational view of an arm chair showing my new design;
FIG. 2 is a rear elevational view;
FIG. 3 is a top plan view;
FIG. 4 is a left side elevational view;
FIG. 5 is a front elevational view;
FIG. 6 is a bottom plan view; and,
FIG. 7 is a right-front perspective view thereof.



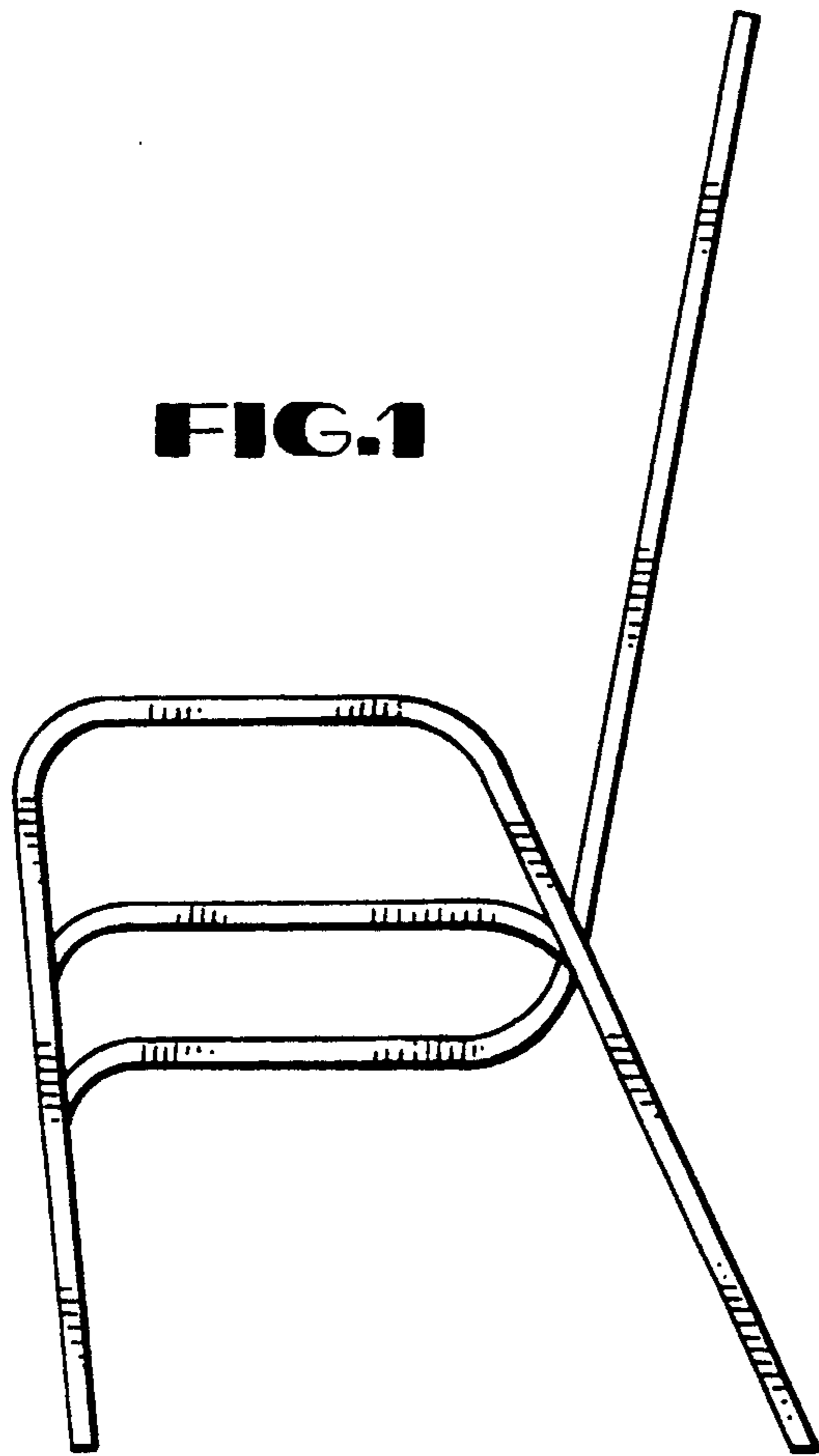


FIG. 1

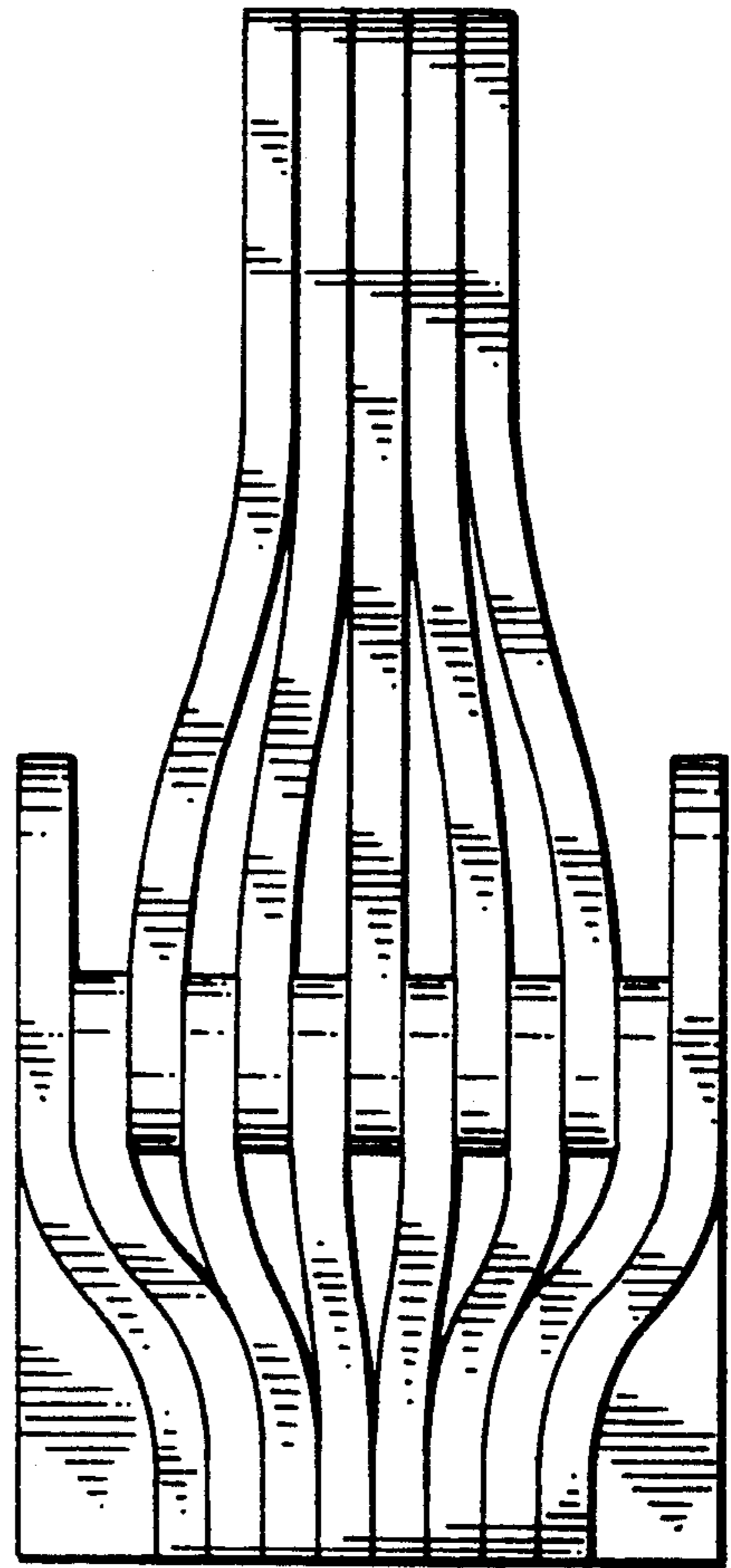
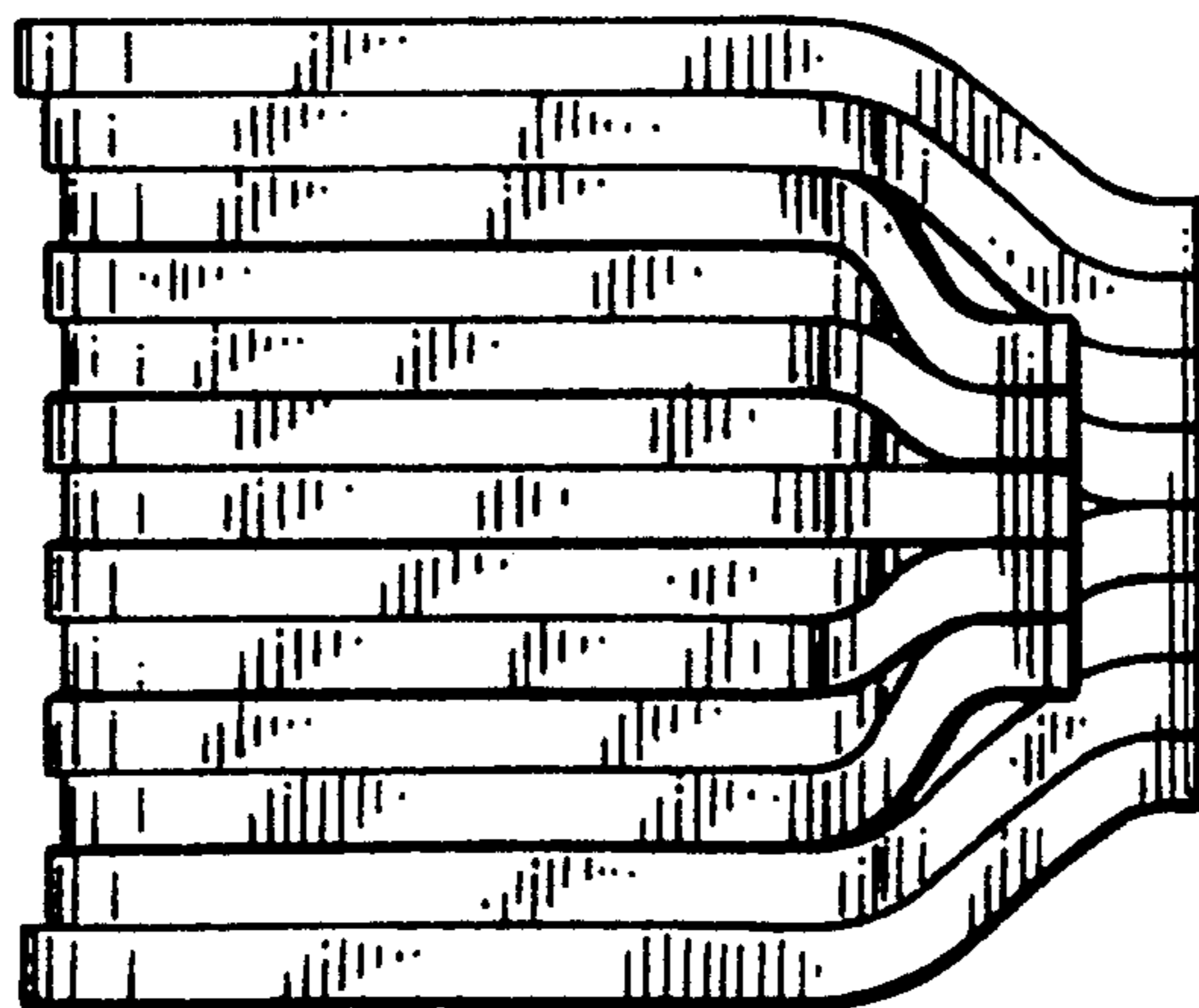


FIG. 2

FIG. 3



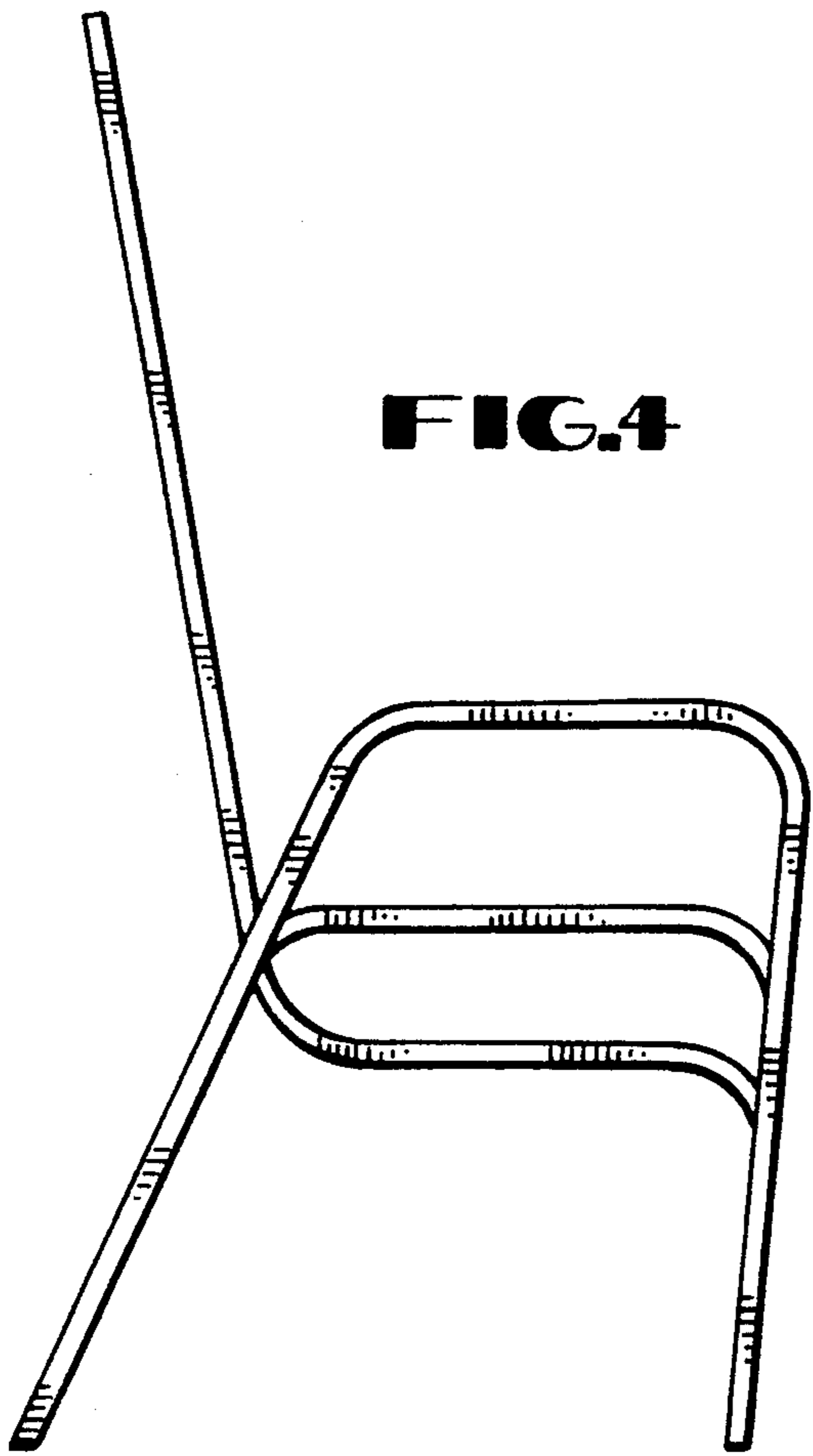


FIG. 4

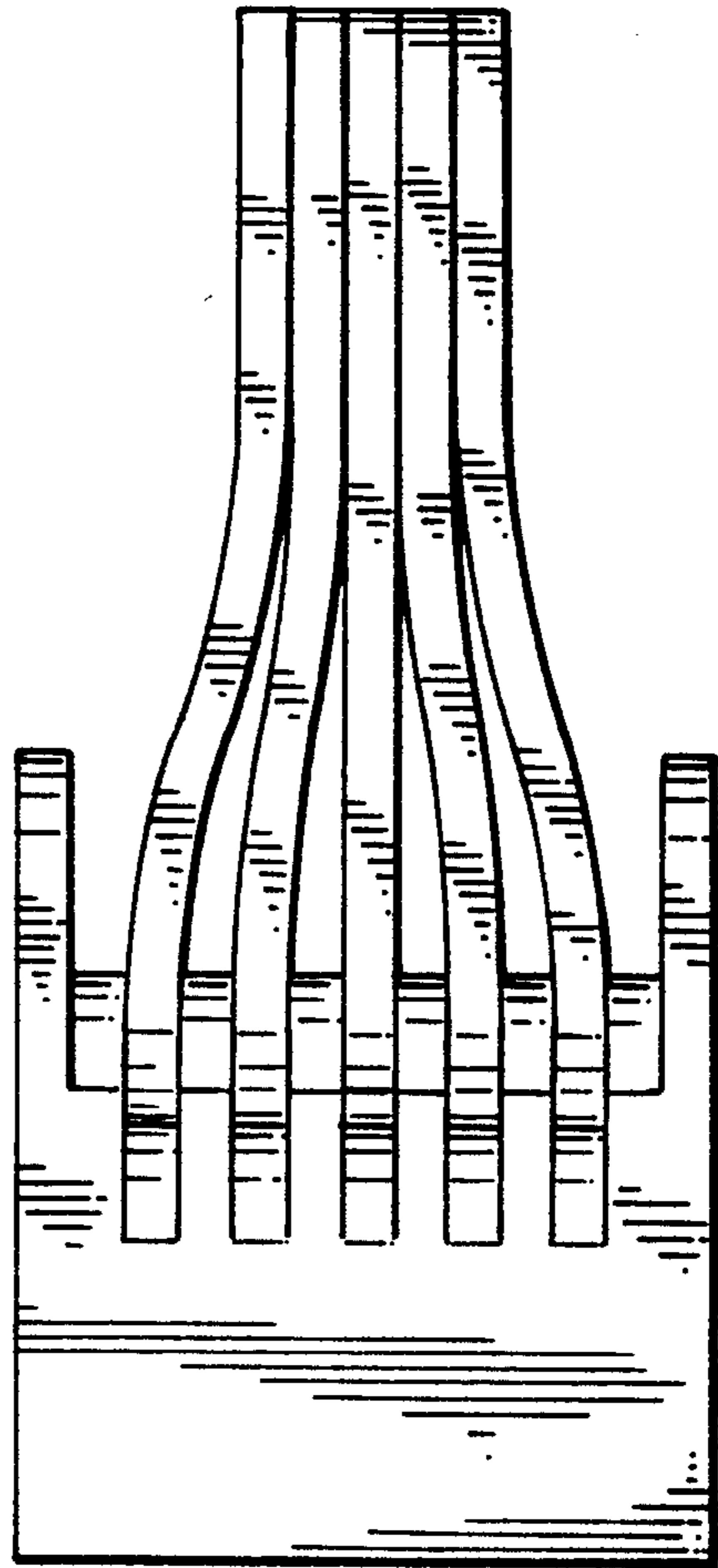


FIG. 5

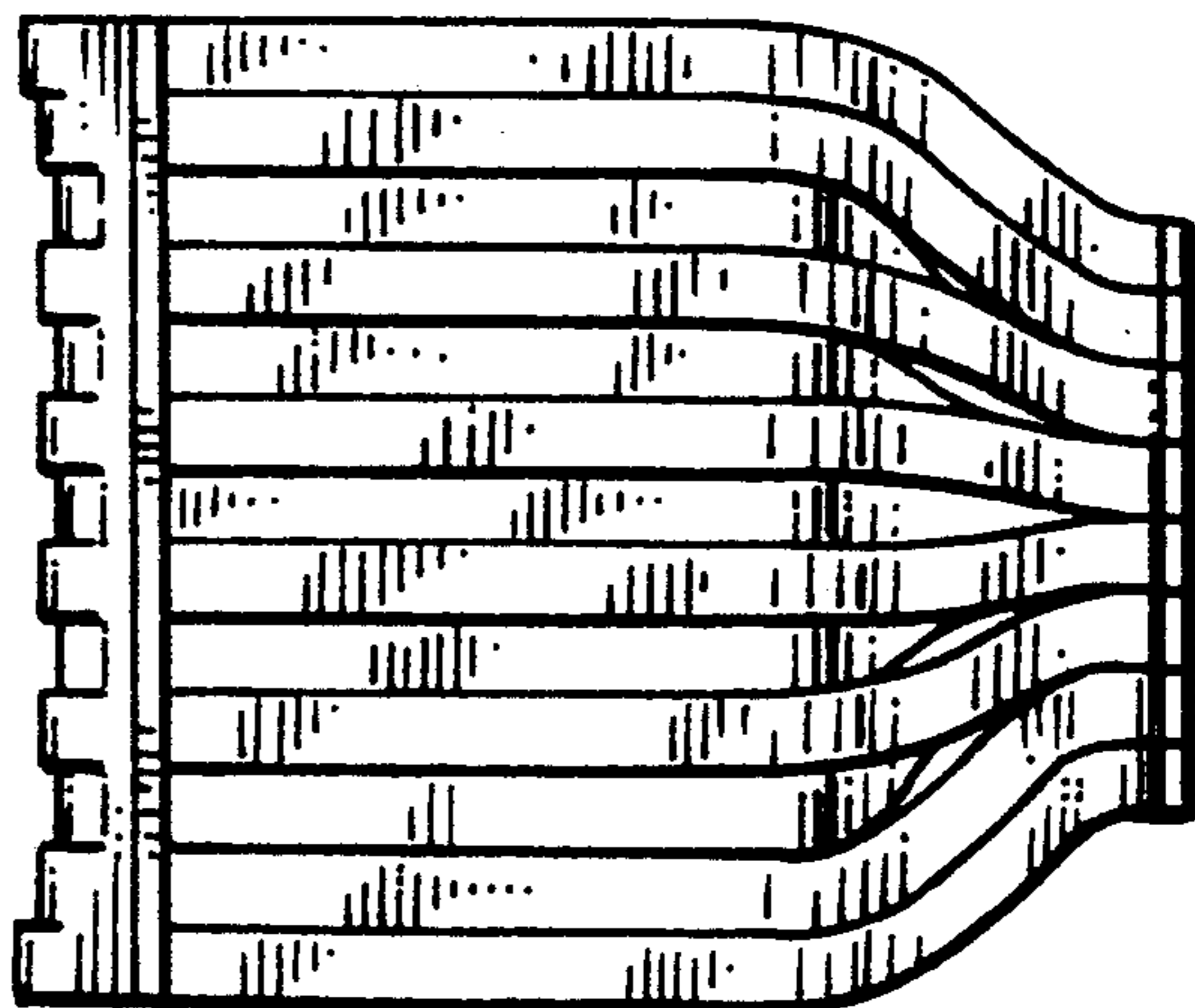


FIG. 6

FIG.7

