



US00D330285S

United States Patent [19]

[11] Patent Number: **Des. 330,285**

Snooks

[45] Date of Patent: **** Oct. 20, 1992**

[54] **AXE HOLDER**

4,773,577 9/1988 Mikula 224/234

[76] Inventor: **Hayward Snooks**, 128 Queen St. S.,
Mississauga Ontario, Canada, L5M
4Z4

[**] Term: **14 Years**

[21] Appl. No.: **530,242**

[22] Filed: **May 25, 1990**

[52] U.S. Cl. **D3/102**

[58] Field of Search D3/100, 102, 104, 105;
30/151; 224/232, 234; D8/71, 76

[56] **References Cited**

U.S. PATENT DOCUMENTS

D. 94,468	2/1935	Case	D3/102
D. 253,798	1/1980	Altmiller	D3/102
3,130,883	4/1964	MacKool	224/234
3,318,499	5/1967	Kallio	224/234
3,854,639	12/1974	Genchi	224/234

OTHER PUBLICATIONS

Cutlery Shoppe Cat., 1989, p. 10, Gerber Sport Axe.

Primary Examiner—Bernard Ansher

Assistant Examiner—Philip Hyder

Attorney, Agent, or Firm—R. Craig Armstrong

[57] **CLAIM**

The ornamental design for an axe holder, as shown and described.

DESCRIPTION

FIG. 1 is a perspective view of a axe holder, showing my new design;

FIG. 2 is a front elevational view thereof;

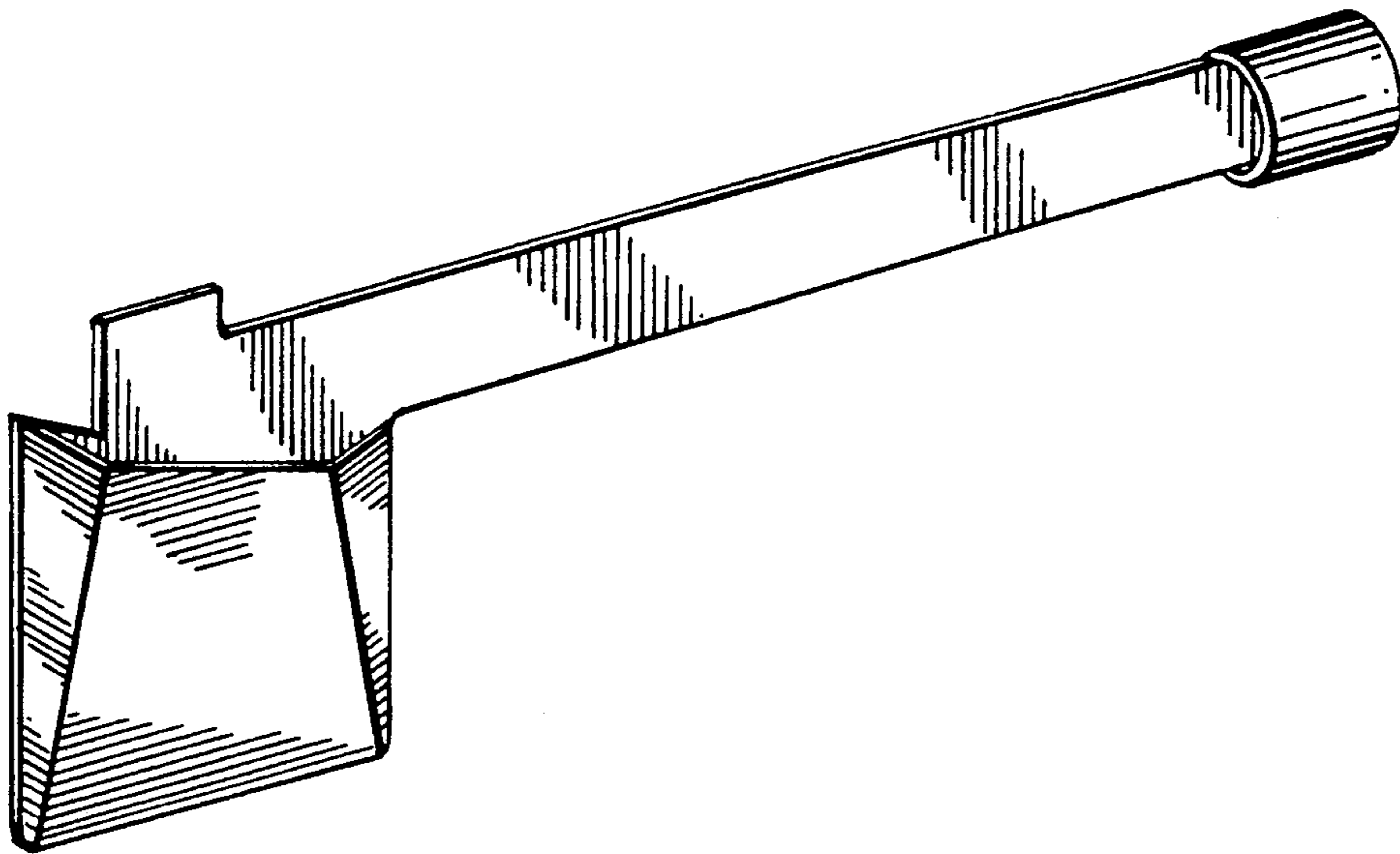
FIG. 3 is left side elevational view thereof;

FIG. 4 is a right side elevational view thereof;

FIG. 5 is a top plan view thereof;

FIG. 6 is a rear elevational view thereof; and,

FIG. 7 is a bottom plan view thereof.



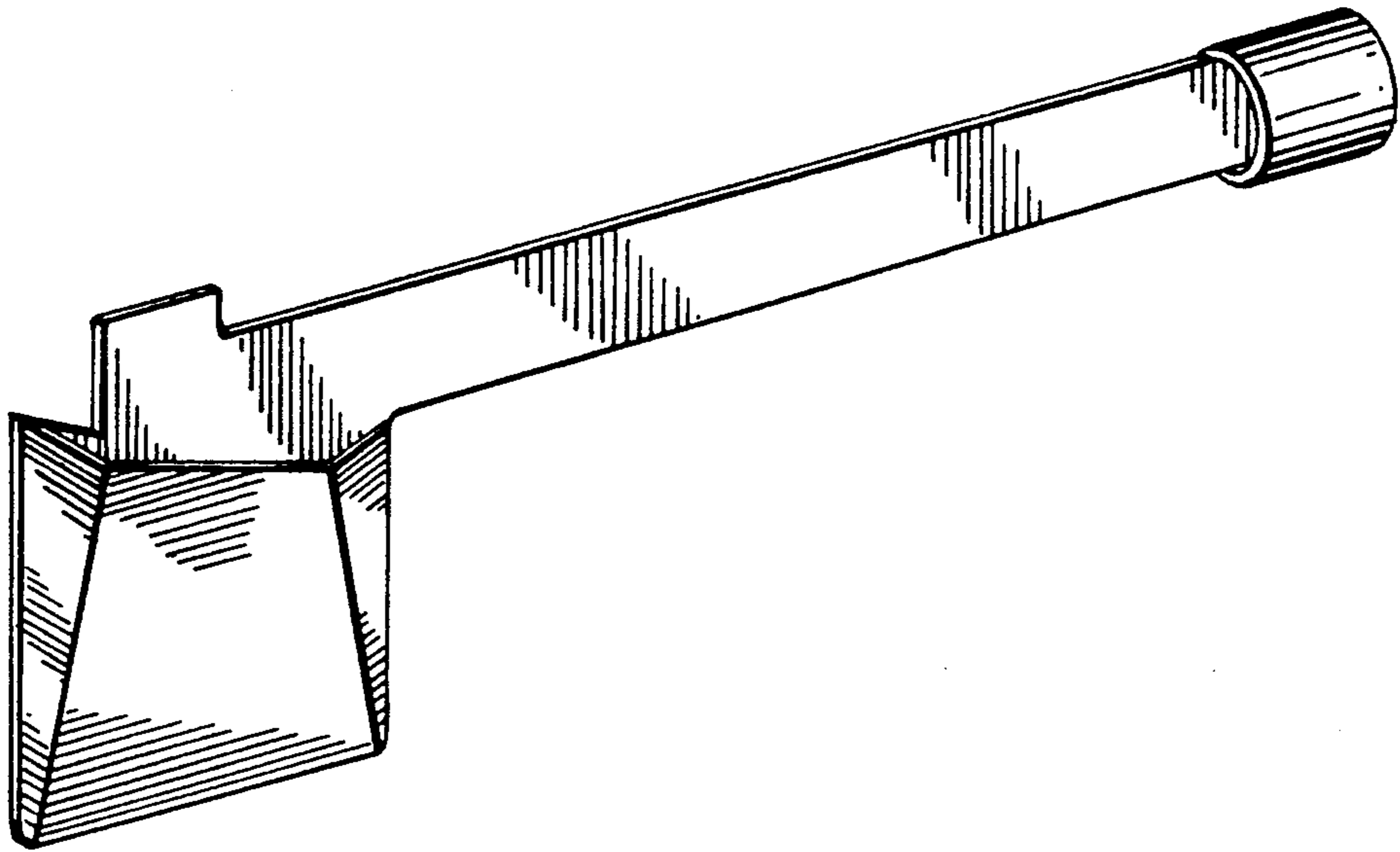


FIG. 1.

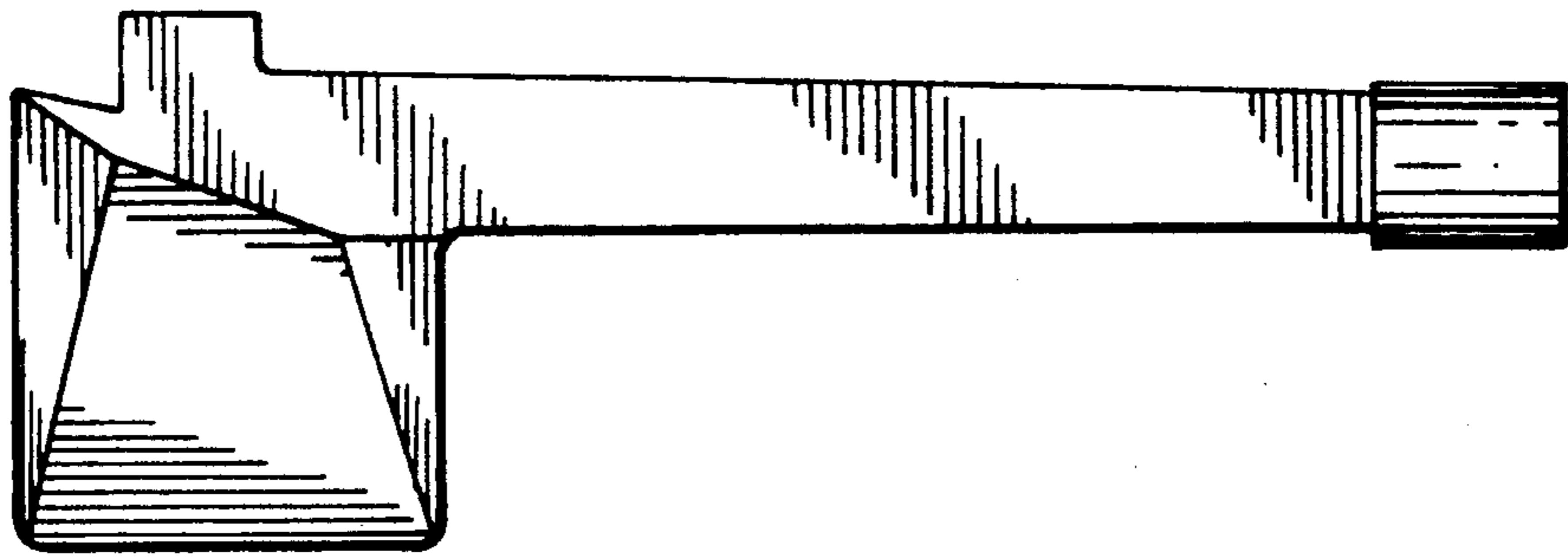


FIG. 2.



FIG. 3.



FIG. 4.



FIG. 5.

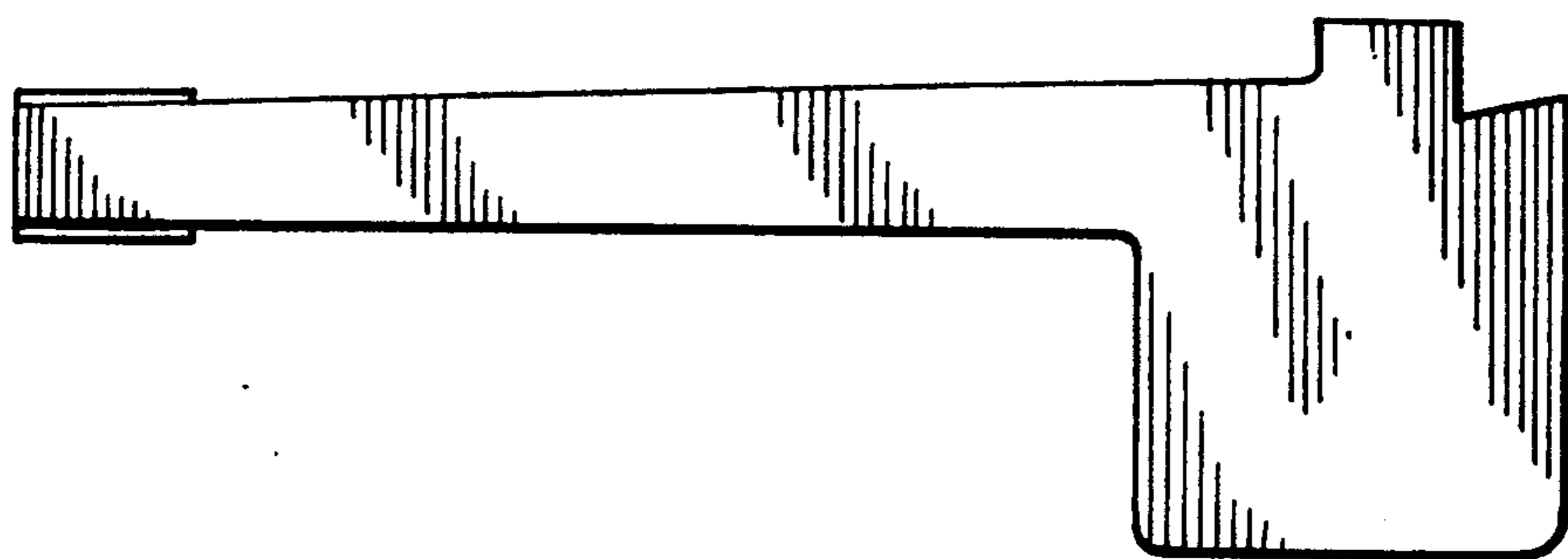


FIG. 6.

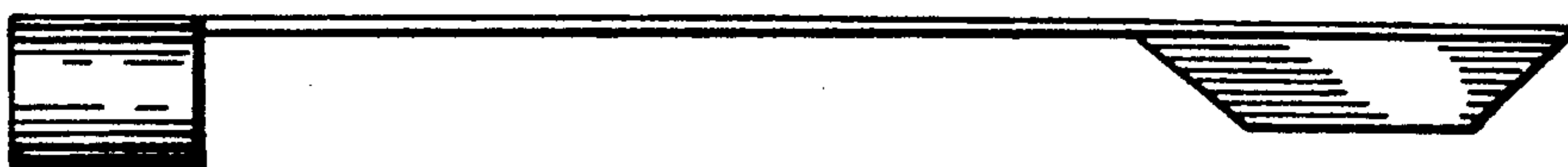


FIG. 7.