



US00D330283S

# United States Patent [19]

[11] Patent Number: Des. 330,283

Betts

[45] Date of Patent: \*\* Oct. 20, 1992

[54] TANK MOUNTABLE CADDY FOR WELDING EQUIPMENT

D. 316,186 4/1991 Seber ..... D3/105  
2,538,677 1/1951 Ferrand ..... D2/228 X  
4,986,459 1/1991 Yarbrough, Jr. .... 224/253

[75] Inventor: Dennis D. Betts, Euclid, Ohio

Primary Examiner—Louis S. Zarfes  
Attorney, Agent, or Firm—David A. Burge

[73] Assignee: Specialty Creation, Inc., Euclid, Ohio

[\*\*] Term: 14 Years

[57] CLAIM

[21] Appl. No.: 487,222

The ornamental design for a tank mountable caddy for welding equipment, as shown and described.

[22] Filed: Mar. 2, 1990

DESCRIPTION

[52] U.S. Cl. .... D3/74; D3/105

[58] Field of Search ..... D3/100, 105, 74;  
D2/226, 228, 229; 206/349, 372; 224/250, 253

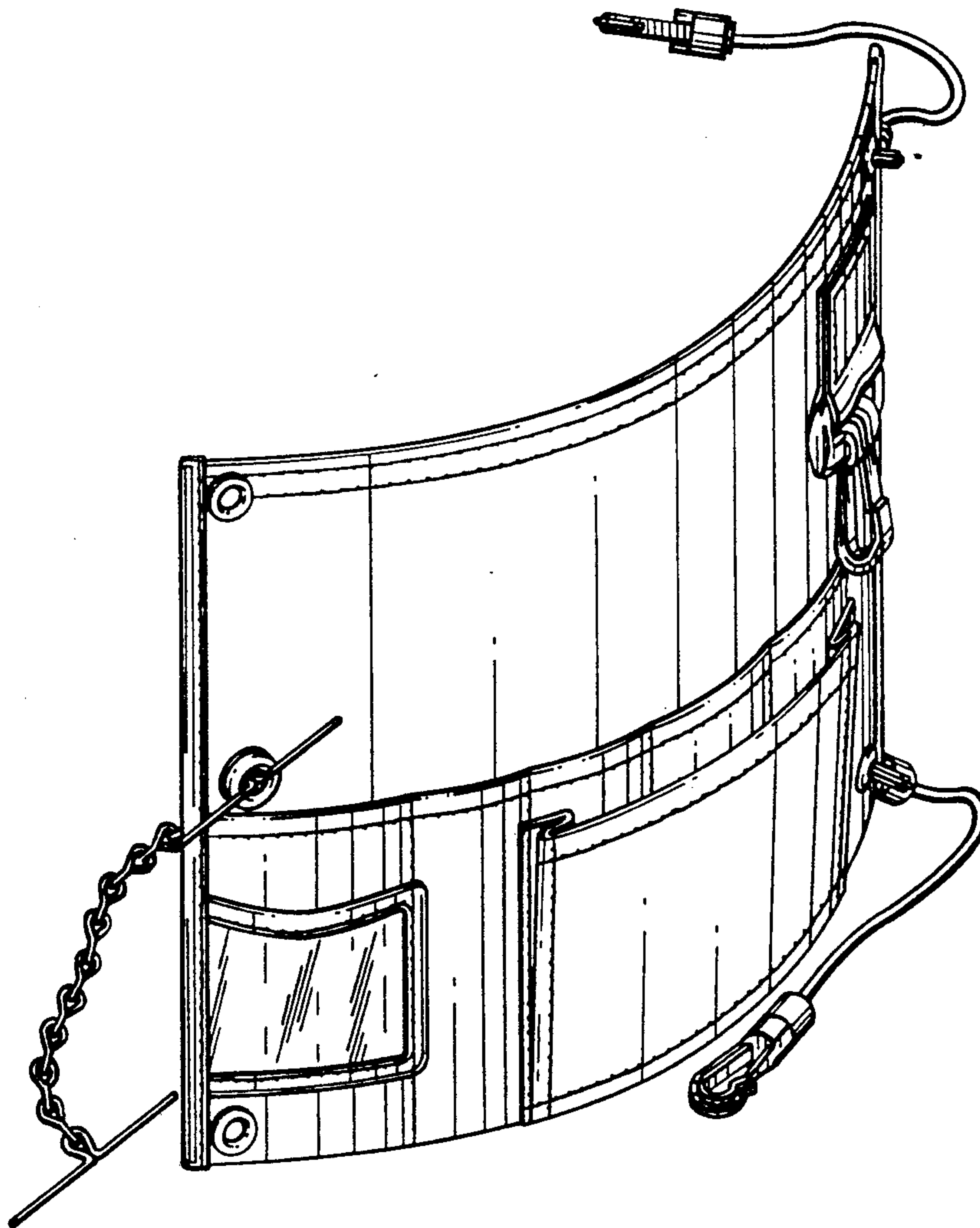
FIG. 1 is a perspective view of a tank mountable caddy for welding equipment showing my new design;  
FIG. 2 is a front elevational view thereof;  
FIG. 3 is a rear elevational view thereof;  
FIG. 4 is a top plan view thereof, with selected portions removed;

[56] References Cited

U.S. PATENT DOCUMENTS

D. 214,257 5/1969 Glass et al. .... D2/228  
D. 214,983 8/1969 Knigge ..... D2/229  
D. 315,797 3/1991 Cagle ..... D2/229 X

FIG. 5 is a left end view thereof;  
FIG. 6 is a right end view thereof; and,  
FIG. 7 is a bottom plan view thereof.



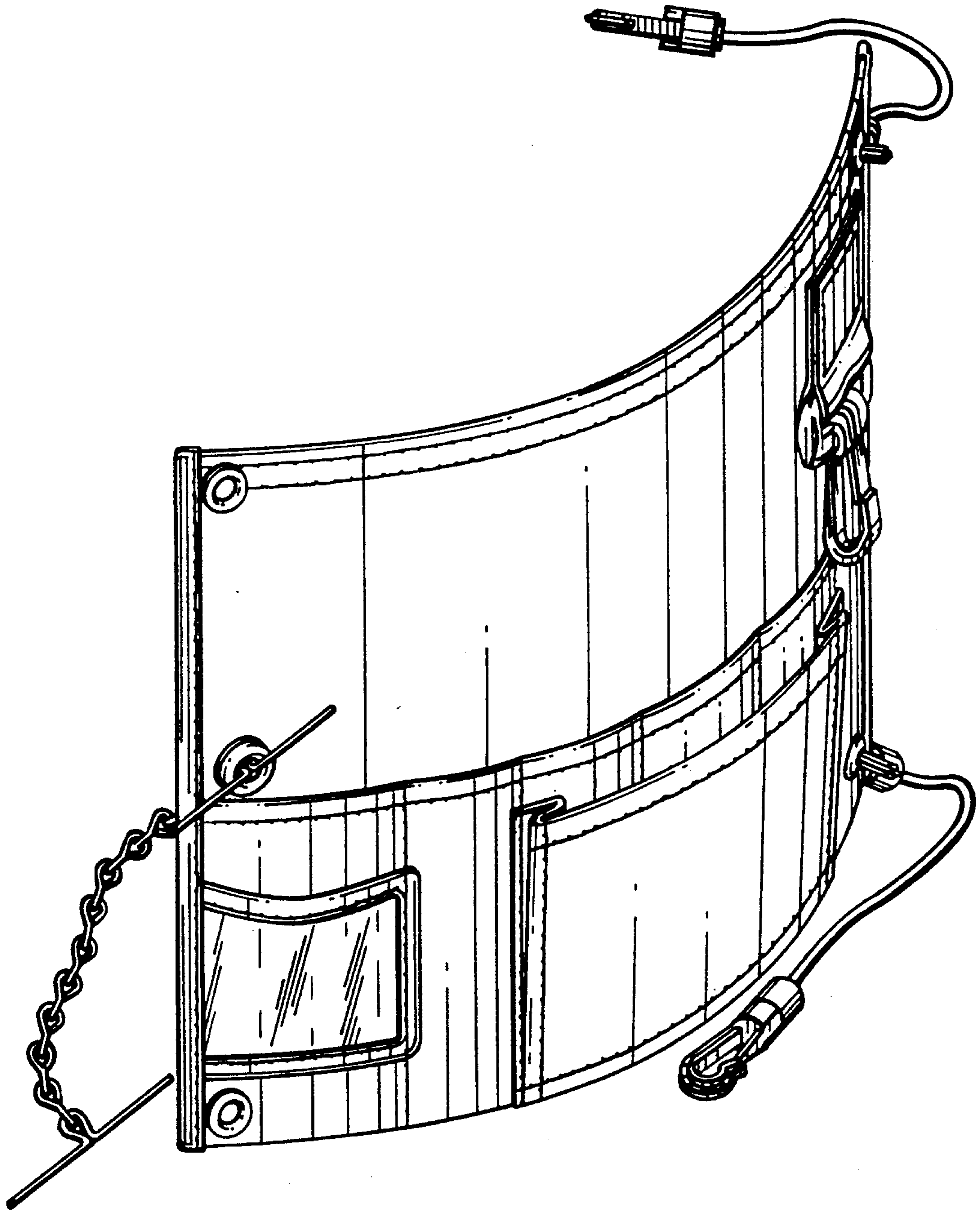


FIG. 1

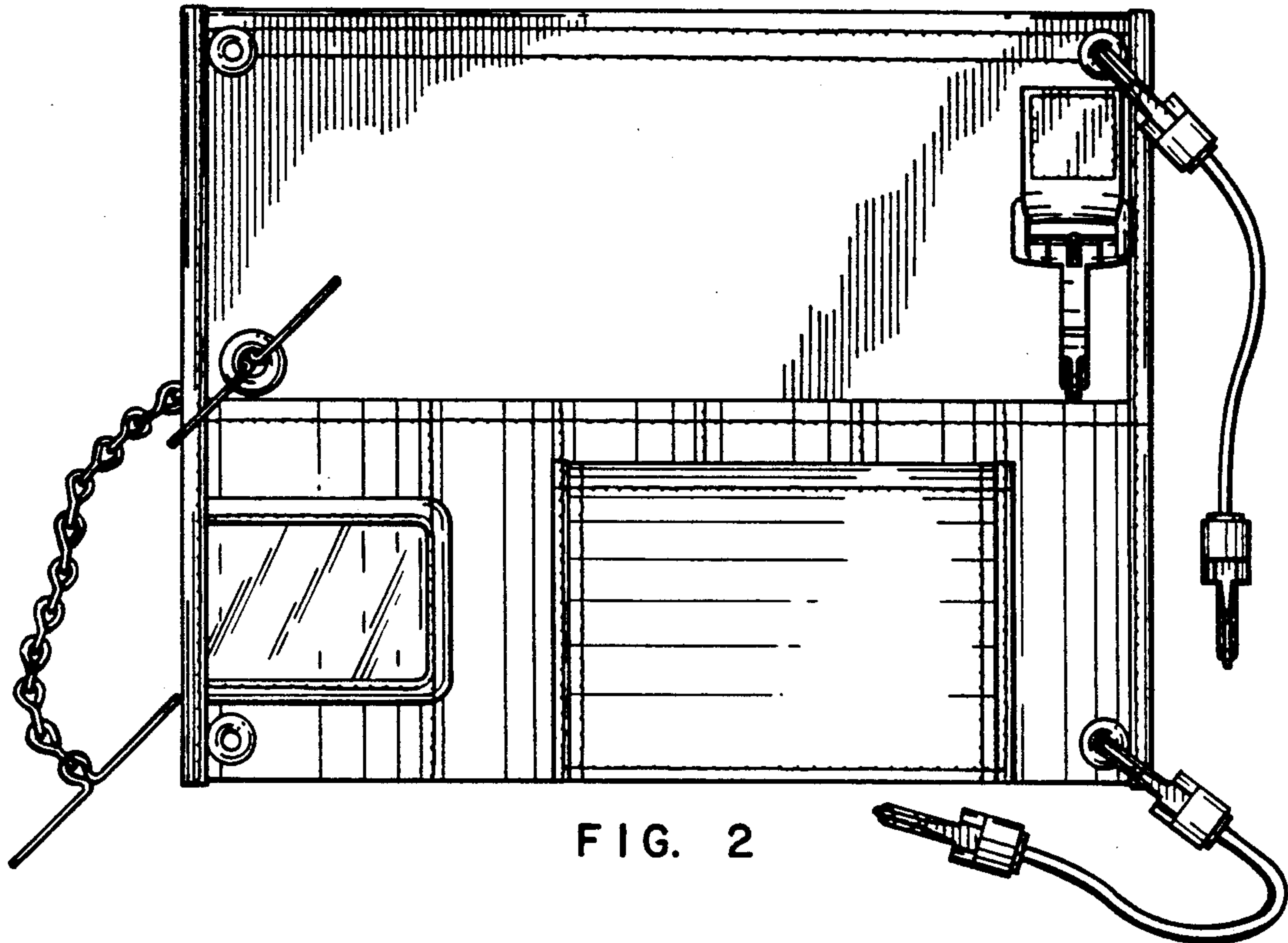


FIG. 2

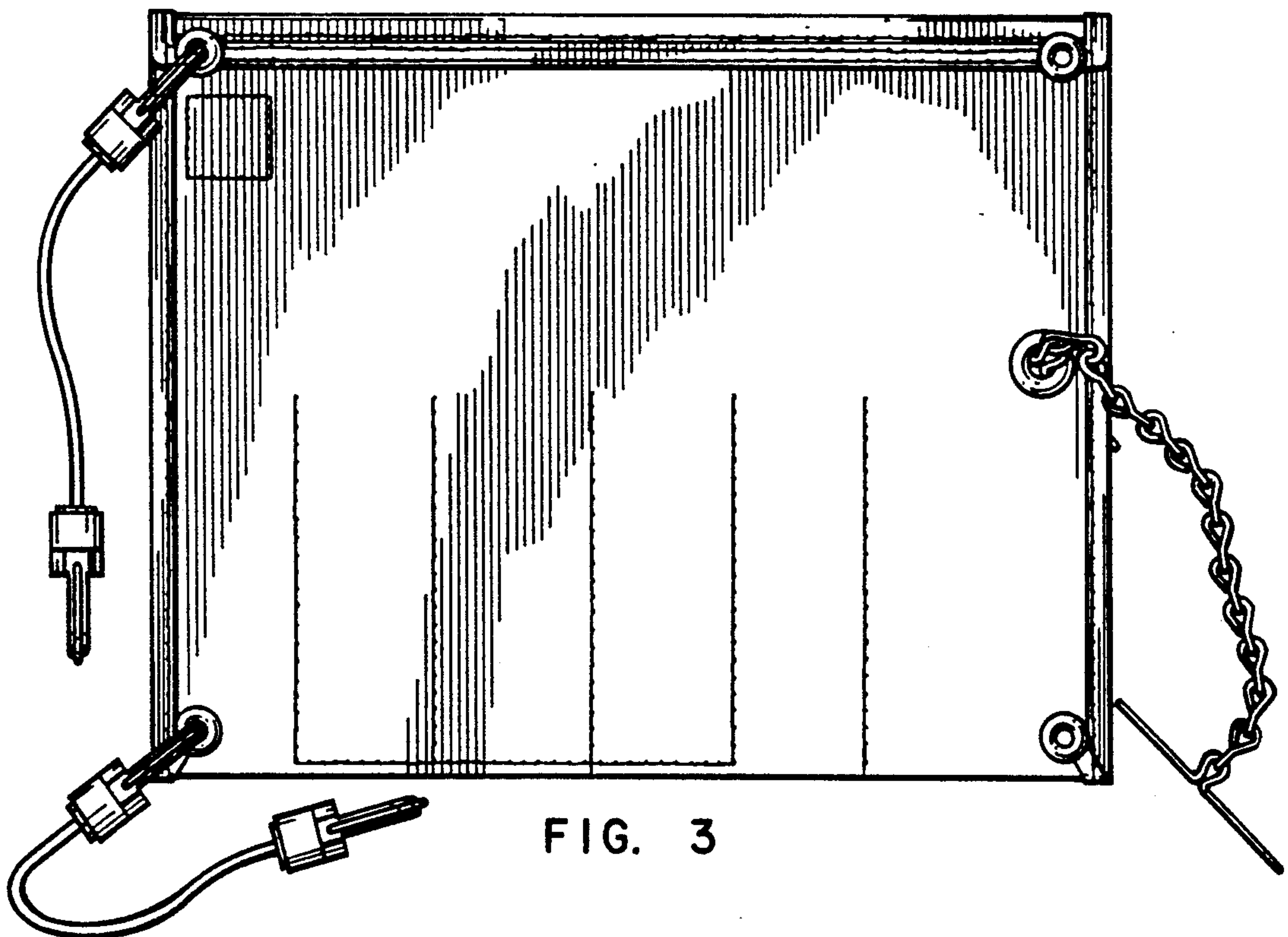


FIG. 3

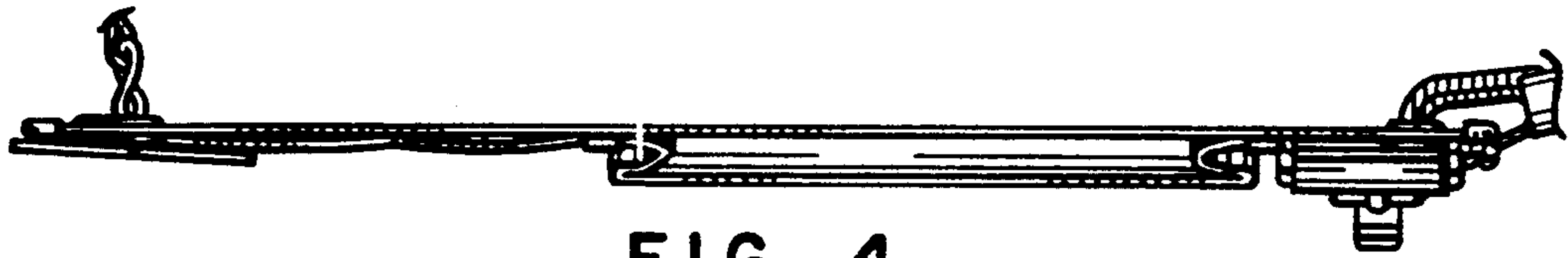


FIG. 4

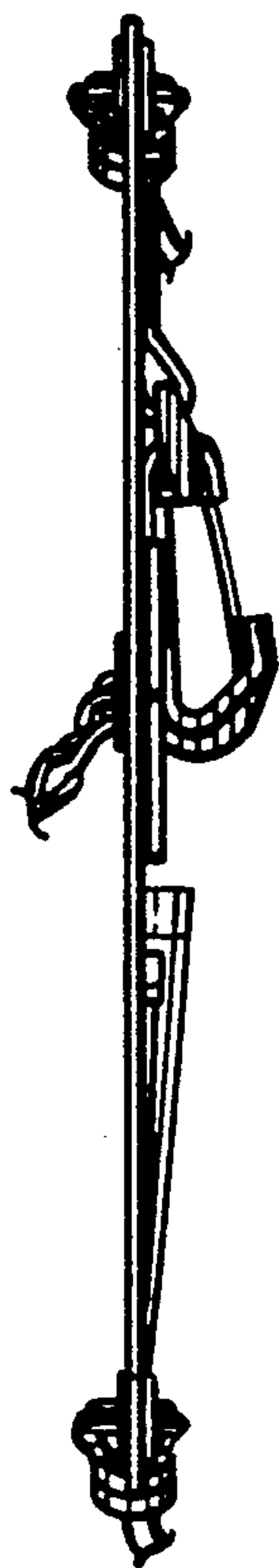


FIG. 5



FIG. 6

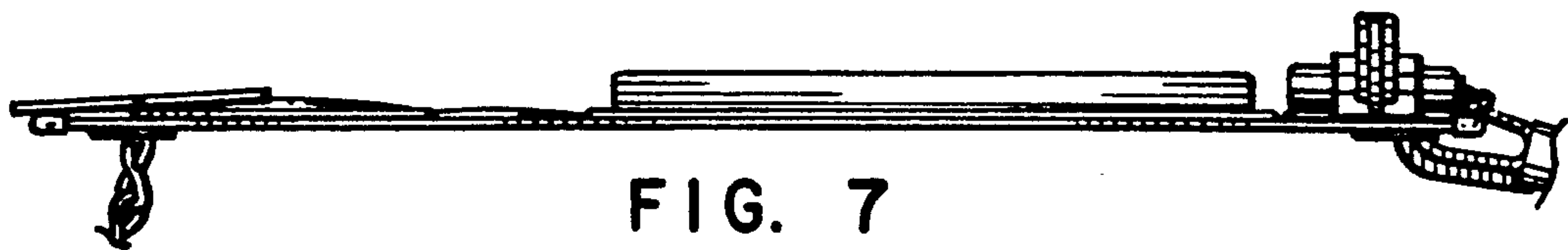


FIG. 7