



US00D330277S

# United States Patent [19]

[11] Patent Number: **Des. 330,277**

Cundiff et al.

[45] Date of Patent: **\*\* Oct. 13, 1992**

[54] **ARRAY OF HEATER MODULES IN A FOOD SERVICE CART**

[75] Inventors: **Kevin B. Cundiff**, Brentwood, Tenn.; **Leonard L. Mitchum, Jr.**, Huntsville, Ala.; **Robert A. McCoy**, Franklin, Tenn.

[73] Assignee: **Aladdin Synergetics, Inc.**, Nashville, Tenn.

[\*\*] Term: **14 Years**

[21] Appl. No.: **394,194**

[22] Filed: **Aug. 15, 1989**

[52] U.S. Cl. .... **D34/27; D7/323**

[58] Field of Search ..... **D34/20, 17, 21, 27; 219/386, 445, 395, 404; 220/23.6; 312/250; D7/323, 339, 362, 364, 365**

4,194,109	3/1980	Springer	219/386
4,203,486	5/1980	Rubbright	219/386
4,232,789	11/1980	Springer	312/236
4,235,282	11/1980	De Filippis et al.	165/61
4,254,824	3/1981	Springer	219/386
4,285,391	8/1981	Bourner	165/30
4,323,110	4/1982	Rubbright	165/2
4,399,667	8/1983	Lamb	62/382
4,436,756	8/1983	Dodd et al.	165/48
4,440,303	4/1984	Seager	220/23.6
4,493,978	1/1985	Starnes	219/438
4,517,446	5/1985	Torning	219/386
4,545,487	10/1985	Asmus	220/23.6
4,560,859	12/1985	Brennan	219/386
4,584,466	4/1986	De Mola	219/386
4,780,597	10/1988	Linhart	219/404

### FOREIGN PATENT DOCUMENTS

1219352 5/1960 France .

### [56] References Cited

#### U.S. PATENT DOCUMENTS

Re. 30,623	5/1981	Schulz et al.	165/48
Re. 30,962	6/1982	Bridges	220/23.6
2,330,867	9/1940	Challet	219/445
2,668,222	2/1954	McCormick	219/395
3,140,389	7/1964	Windes	219/447
3,270,660	9/1966	Filipak	99/340
3,532,247	10/1970	Bridges	220/23.6
3,799,143	3/1974	Bridges	126/246
3,875,370	4/1975	Williams	219/386
3,886,346	5/1975	Meyers	219/386
3,887,253	6/1975	Bridges et al.	312/250
3,908,749	9/1975	Williams	165/2
3,924,100	12/1975	Mack et al.	219/386
3,952,794	4/1976	Spanoudis	165/2
3,965,969	6/1976	Williamson	165/12
3,982,584	9/1976	Spanoudis	165/42
4,005,745	1/1977	Colato	165/2
4,019,022	4/1977	Seider	219/386
4,020,310	4/1977	Souder, Jr.	219/10.49
4,041,277	8/1977	Shumrak	219/386
4,052,589	10/1977	Wyatt	219/400
4,087,142	5/1978	Aumack	312/236
4,093,041	6/1978	Davis	219/386
4,103,736	8/1978	Colato et al.	165/48 R
4,110,587	8/1978	Souder, Jr. et al.	219/10.49
4,126,775	11/1978	Wyatt	219/400
4,167,983	9/1979	Seider	219/386
4,180,125	12/1979	Schulz	219/386

### OTHER PUBLICATIONS

Aladdin Brochure, "Aladdin Advanced Meal Systems", 1987 Therma-Chill Food Productions Systems Brochure, Perfect-Temp Quality Meals at Lower Operating Costs.

Counselor, vol. 10, Issue 1, 1988.

Primary Examiner—**Kay H. Chin**

Attorney, Agent, or Firm—**Banner, Birch, McKie & Beckett**

### [57] CLAIM

The ornamental design for an array of heater modules in a food service cart, as shown and described.

### DESCRIPTION

FIG. 1 is a front elevational view of an array of heater modules in a food service cart showing our new design; FIG. 2 is a side elevational view thereof;

FIG. 3 is a top plan view thereof;

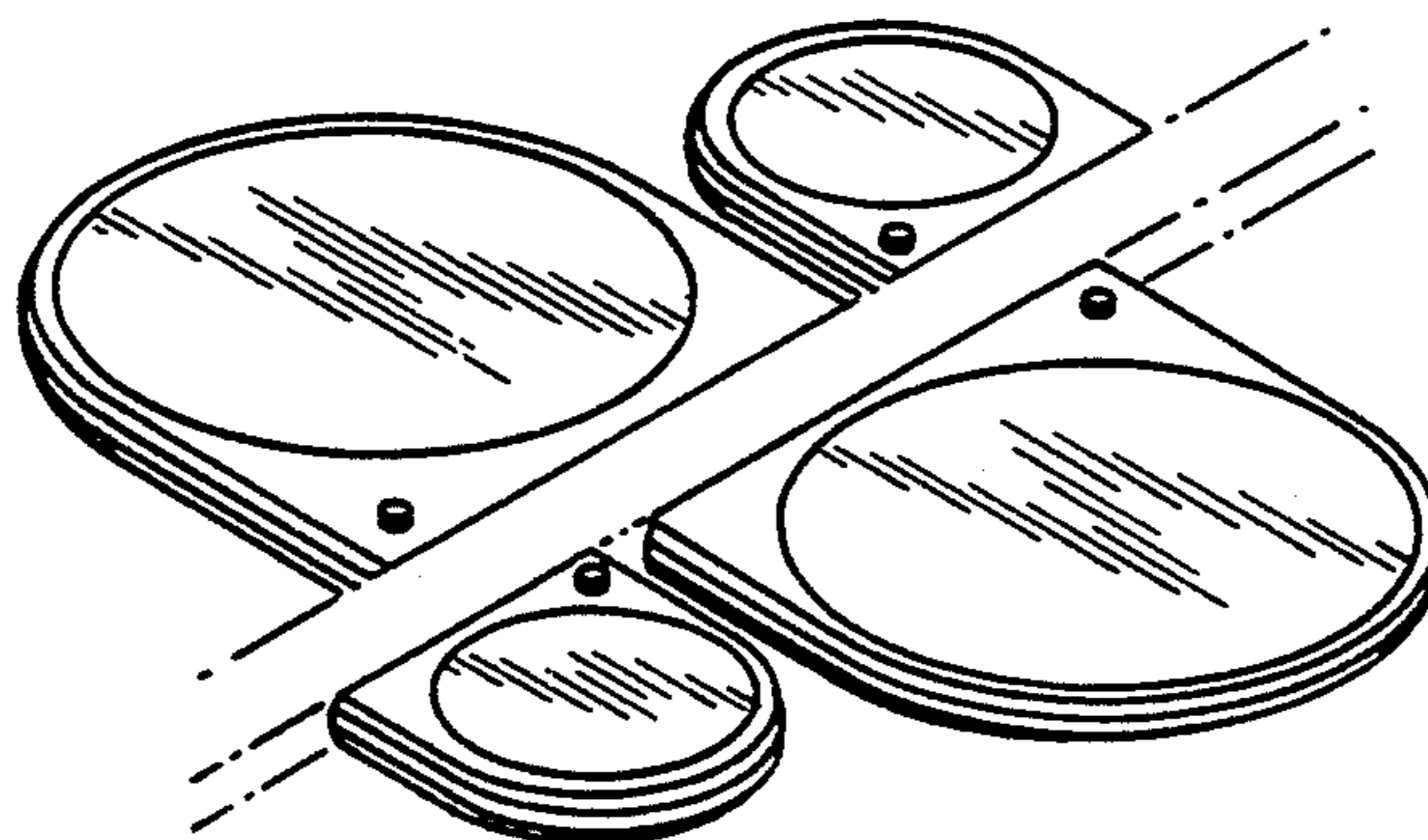
FIG. 4 is a bottom plan view thereof;

FIG. 5 is a top plan view of a second embodiment of the array of heater modules in a food service cart, the bottom view being the same as the first embodiment shown in FIG. 4;

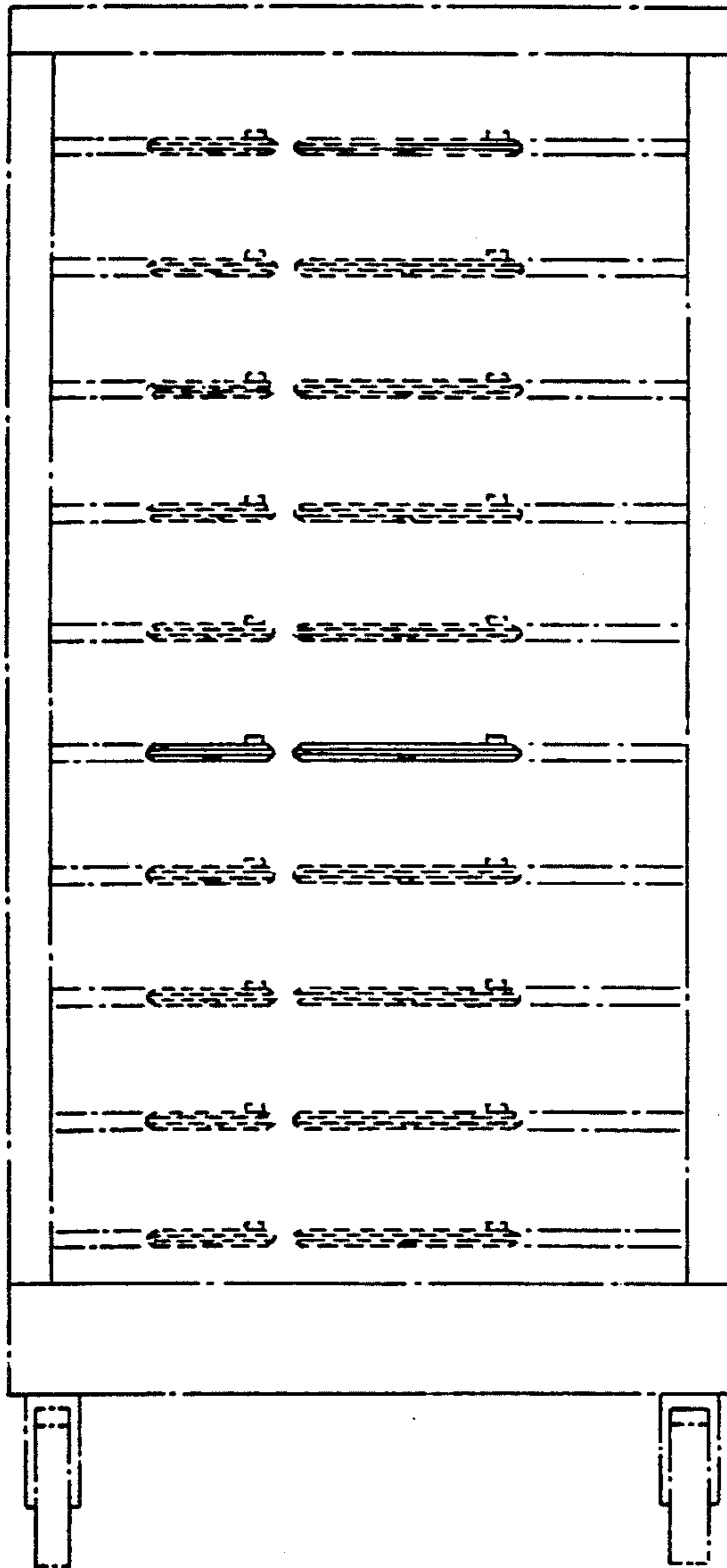
FIG. 6 is a top perspective view of FIG. 3; and,

FIG. 7 is a top perspective view of FIG. 1.

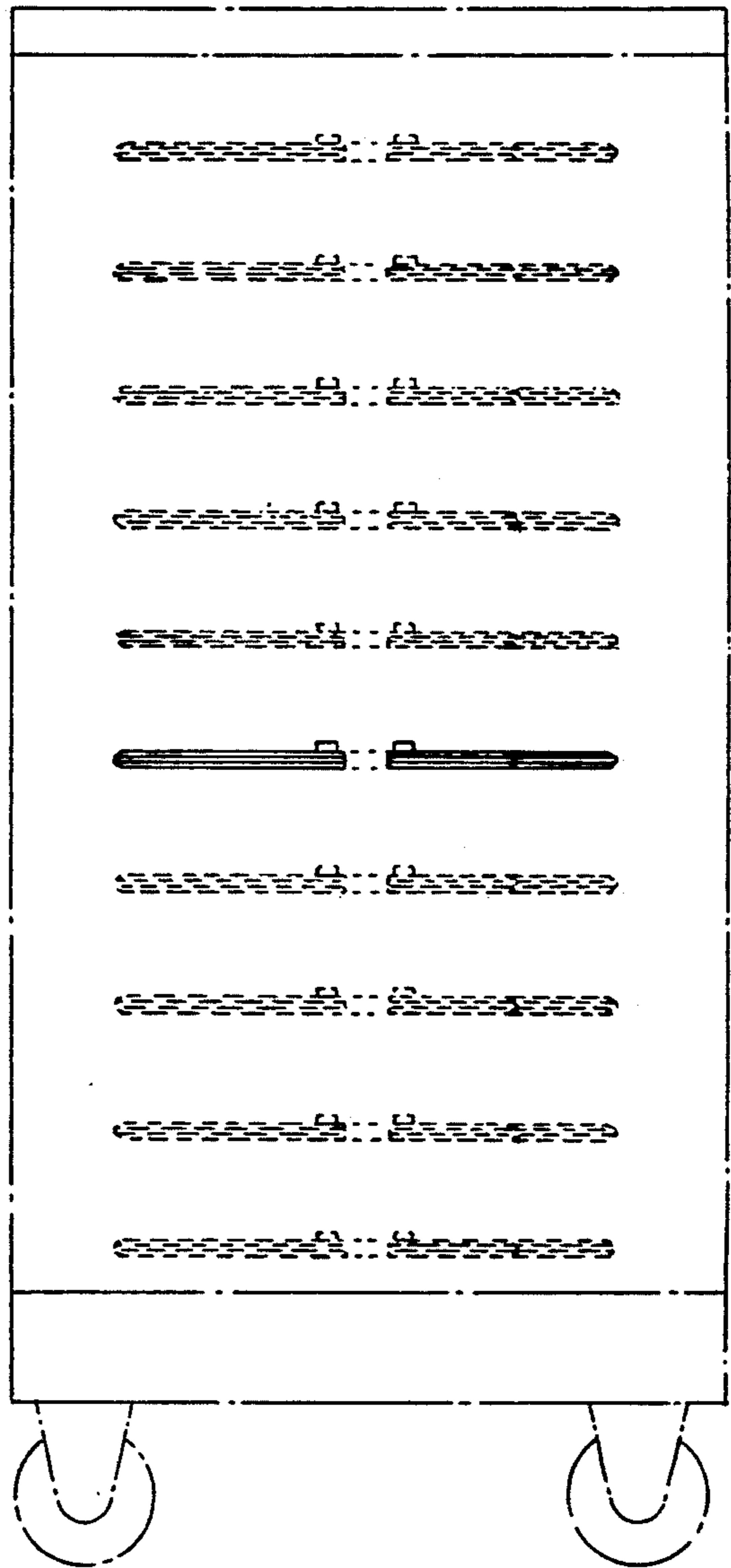
The broken lines shown in FIGS. 1 through 7 are for illustrative purposes only and form no part of the claimed design.



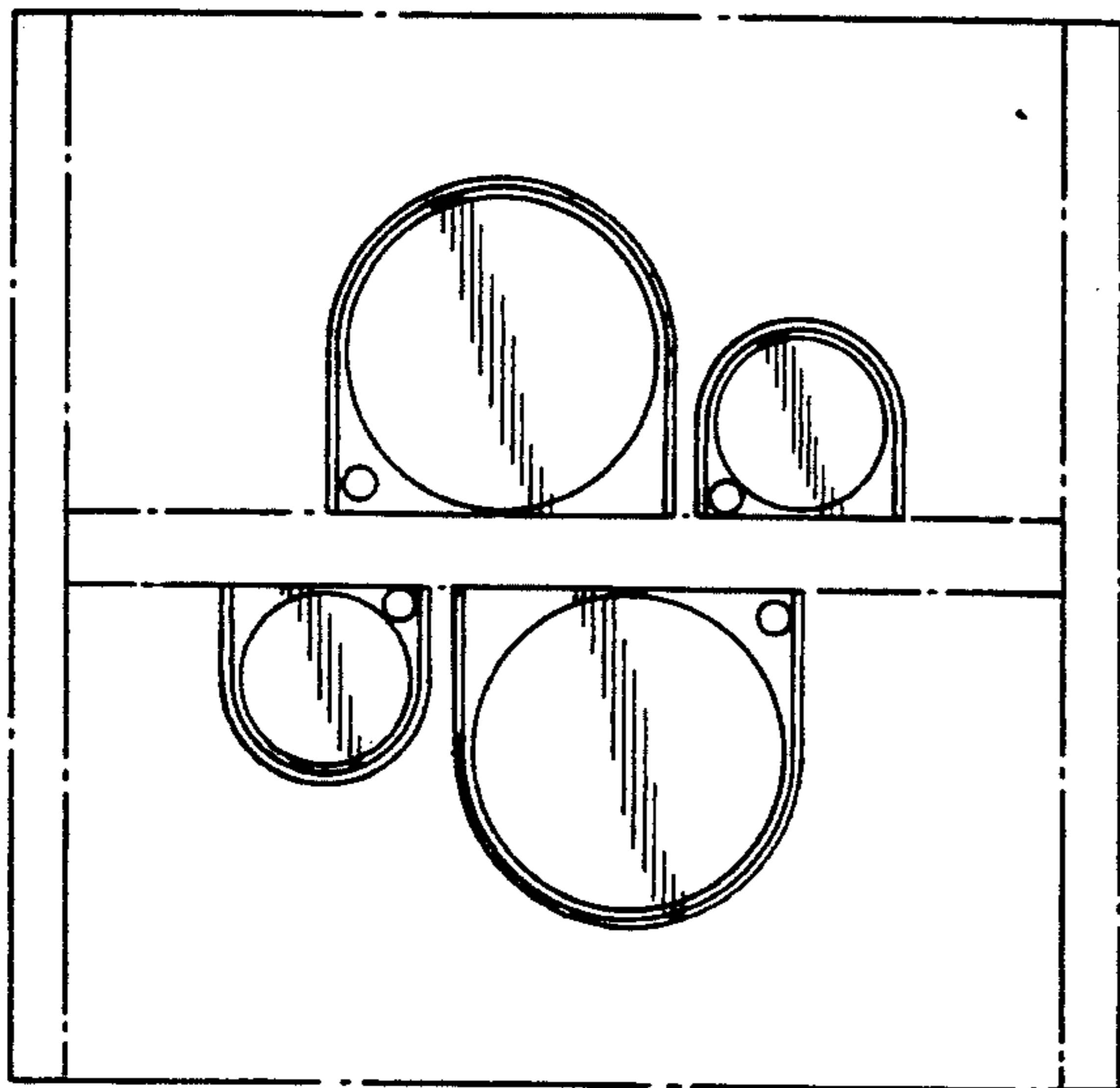
*FIG. 1.*



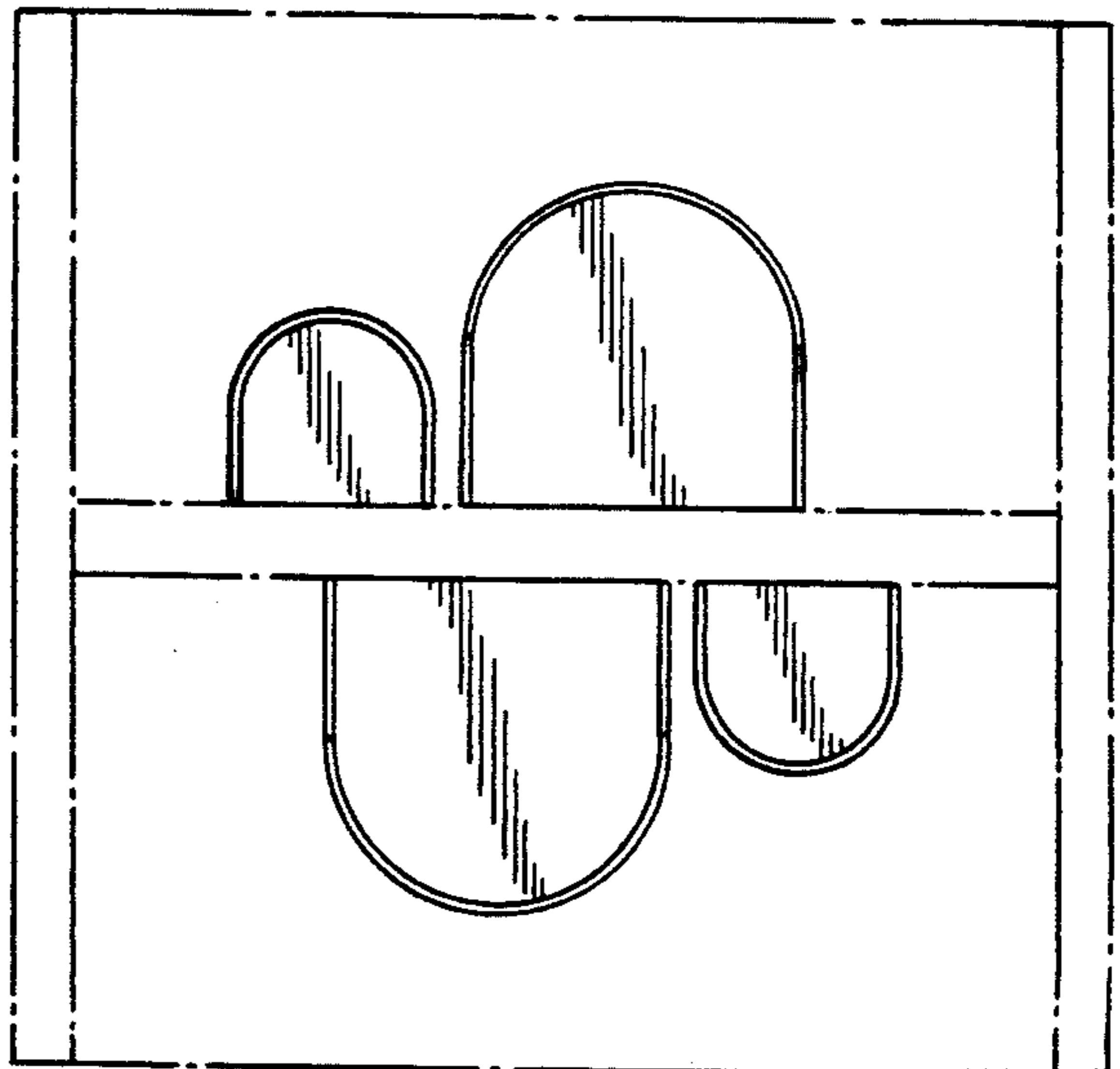
*FIG. 2.*



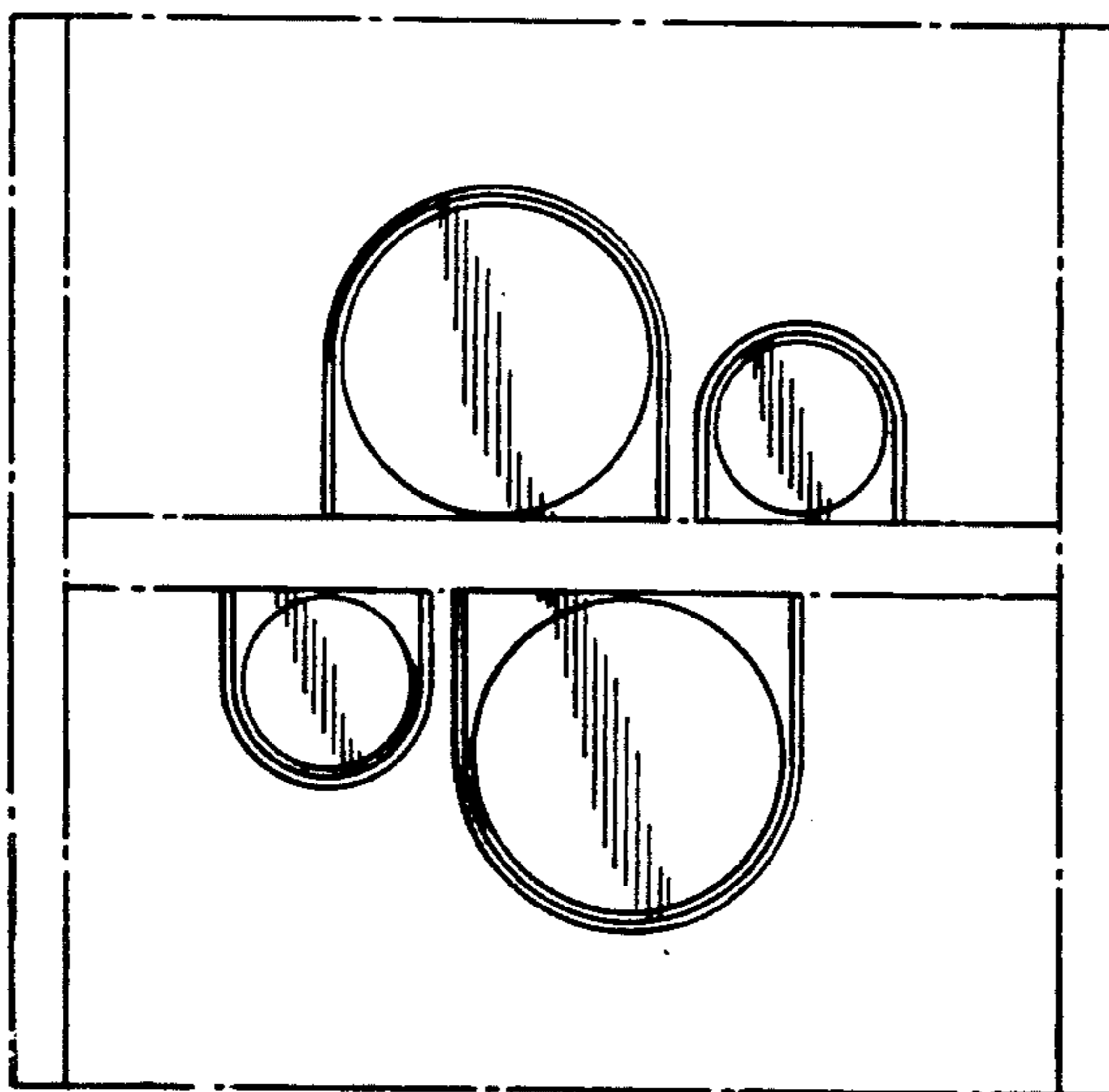
**FIG. 3.**



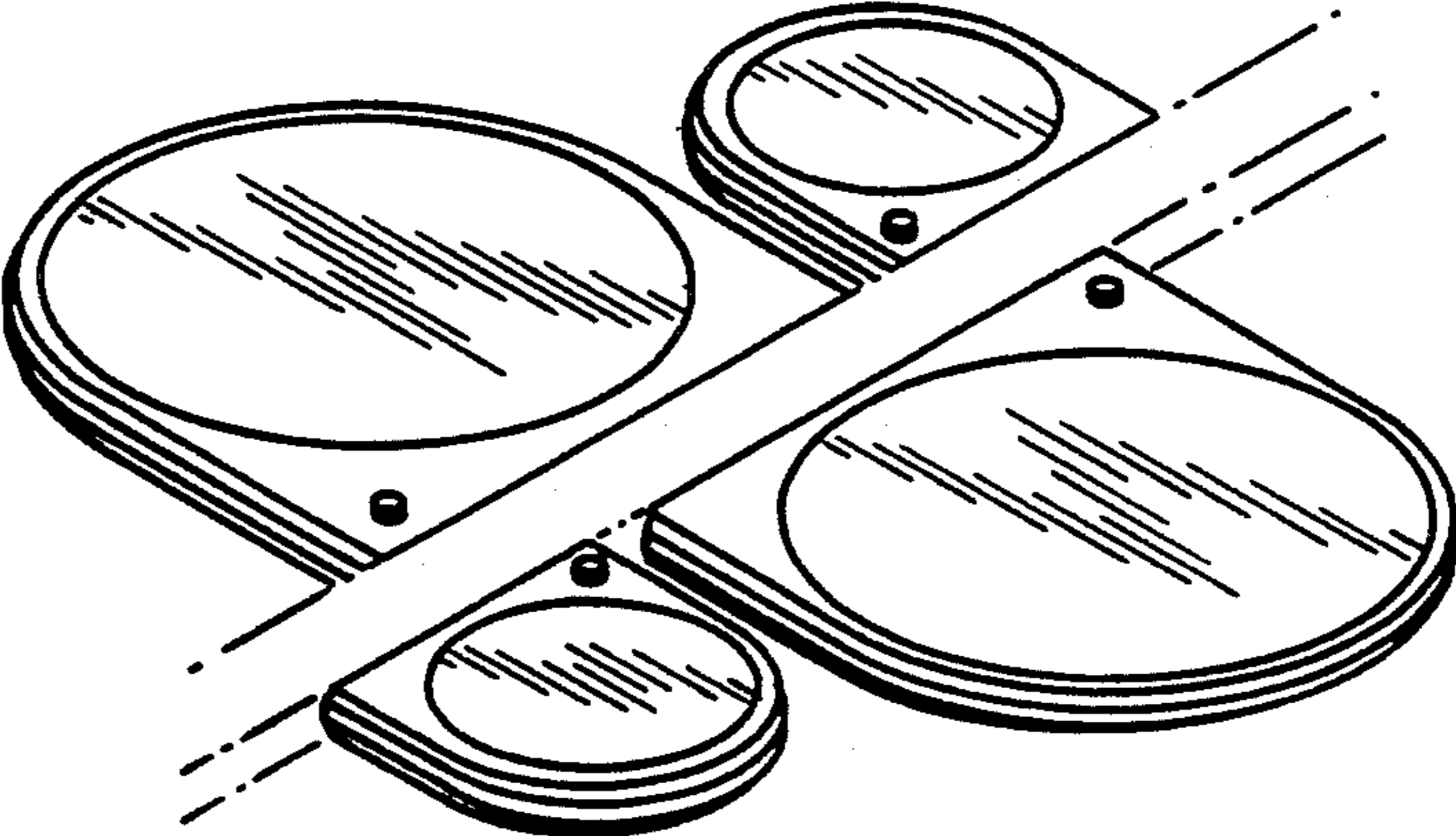
**FIG. 4.**



**FIG. 5.**



**FIG. 6**



**FIG. 7**

