



US00D330272S

United States Patent [19]

[11] Patent Number: **Des. 330,272**

Lane

[45] Date of Patent: **** Oct. 13, 1992**

[54] **BIRD FEEDER**

[76] Inventor: **Fred J. Lane**, 1475 E. McDaniel,
Springfield, Mo. 65802

[**] Term: **14 Years**

[21] Appl. No.: **550,887**

[22] Filed: **Jul. 11, 1990**

2,230,058 1/1941 Hornung D30/124
 3,104,649 9/1963 Slaven 119/52.3
 3,124,103 3/1964 Stainbrook 119/52.3
 4,180,014 12/1979 Mathews 119/52.1
 4,942,845 7/1990 Lane 119/52.2

FOREIGN PATENT DOCUMENTS

1232585 10/1960 France 119/52.1

Primary Examiner—A. Hugo Word
Assistant Examiner—Cathy Anne MacCormac
Attorney, Agent, or Firm—Richard C. Litman

Related U.S. Application Data

[63] Continuation-in-part of Ser. No. 403,808, Sep. 7, 1989,
Pat. No. Des. 322,694.

[52] U.S. Cl. **D30/124**

[58] Field of Search 119/51.03, 52.1, 52.2,
119/52.3, 57.4, 50.5, 57.8, 47, 57.9, 61, 69.5, 72,
77, 45.1; D30/121-128, 132-133

[57] CLAIM

The ornamental design for a bird feeder, as shown and described.

DESCRIPTION

FIG. 1 is a front, left and top perspective view of a bird feeder showing my new design;
 FIG. 2 is a left side elevational view thereof, the broken lines are for illustrative purposes only and form no part of the claimed design;
 FIG. 3 is a front elevational view thereof;
 FIG. 4 is a rear elevational view thereof;
 FIG. 5 is a top plan view thereof; and,
 FIG. 6 is a bottom plan view thereof.

[56] **References Cited**
U.S. PATENT DOCUMENTS

D. 320,678 10/1991 Handley D30/124
 656,965 8/1900 Green 119/45.1
 899,129 9/1908 Norquist 119/72
 1,167,786 1/1916 Sels 119/50.5
 1,769,396 7/1930 Smith 119/47
 1,895,435 1/1933 Ahrens 119/52.1

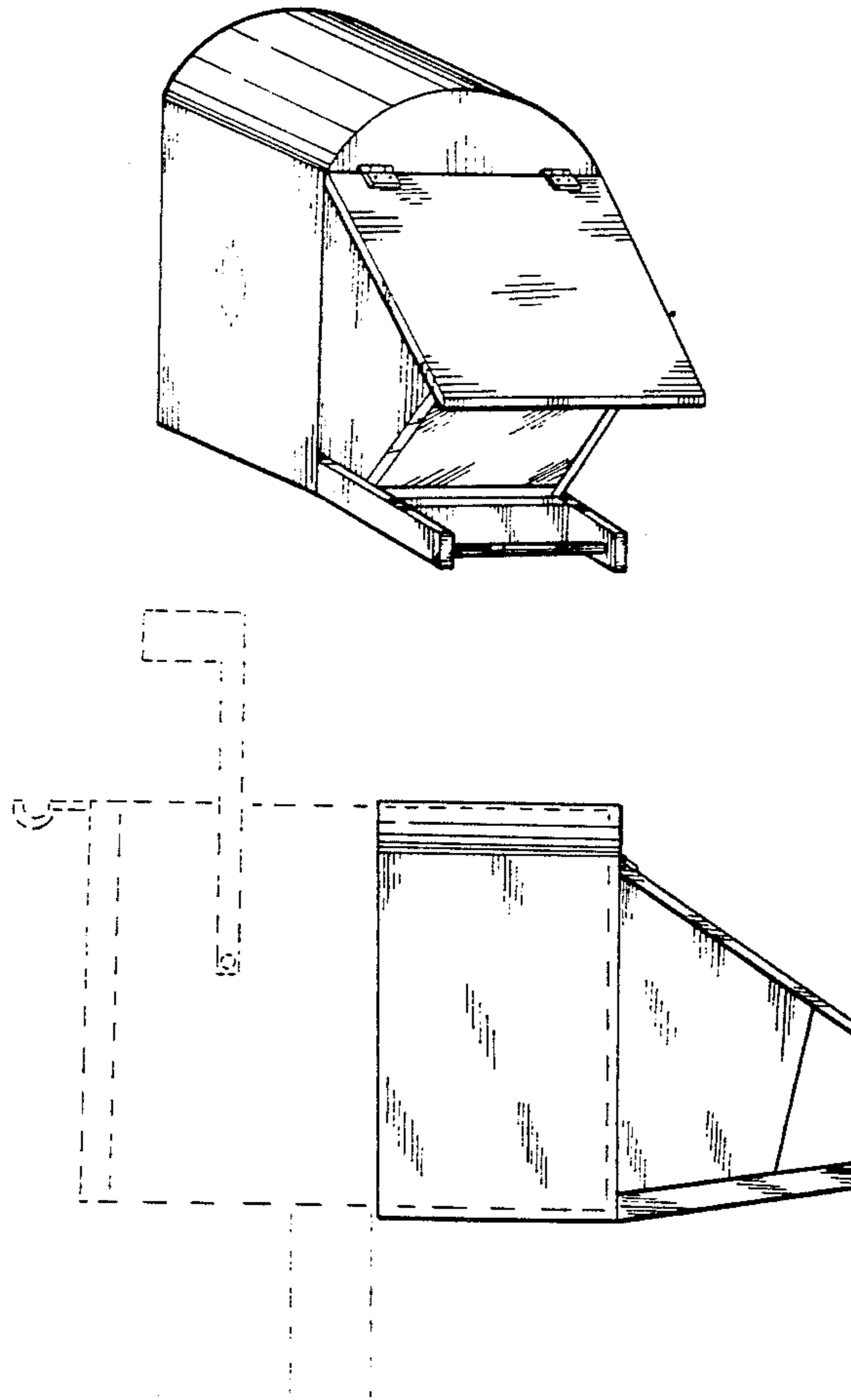


FIG. 1

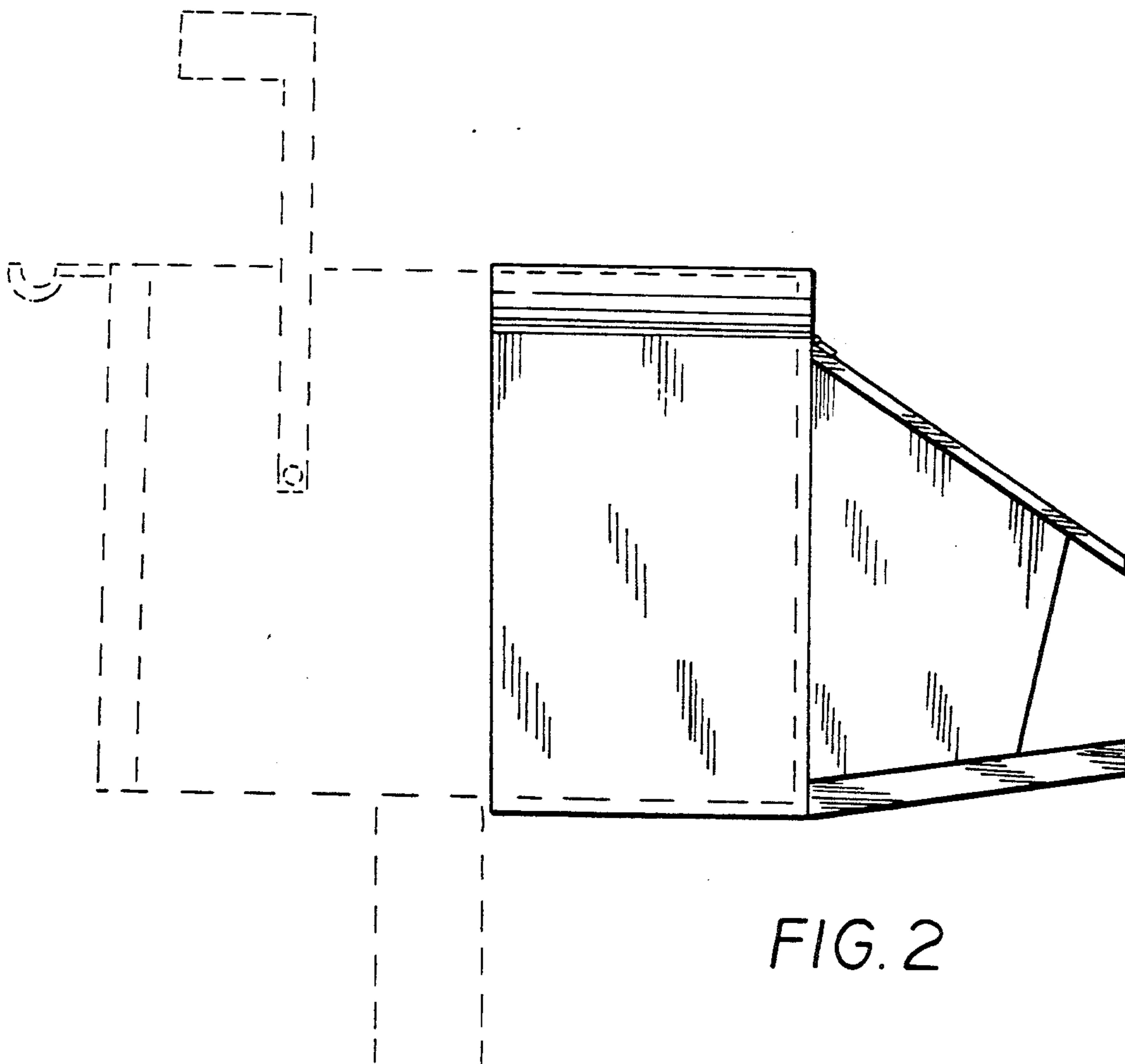
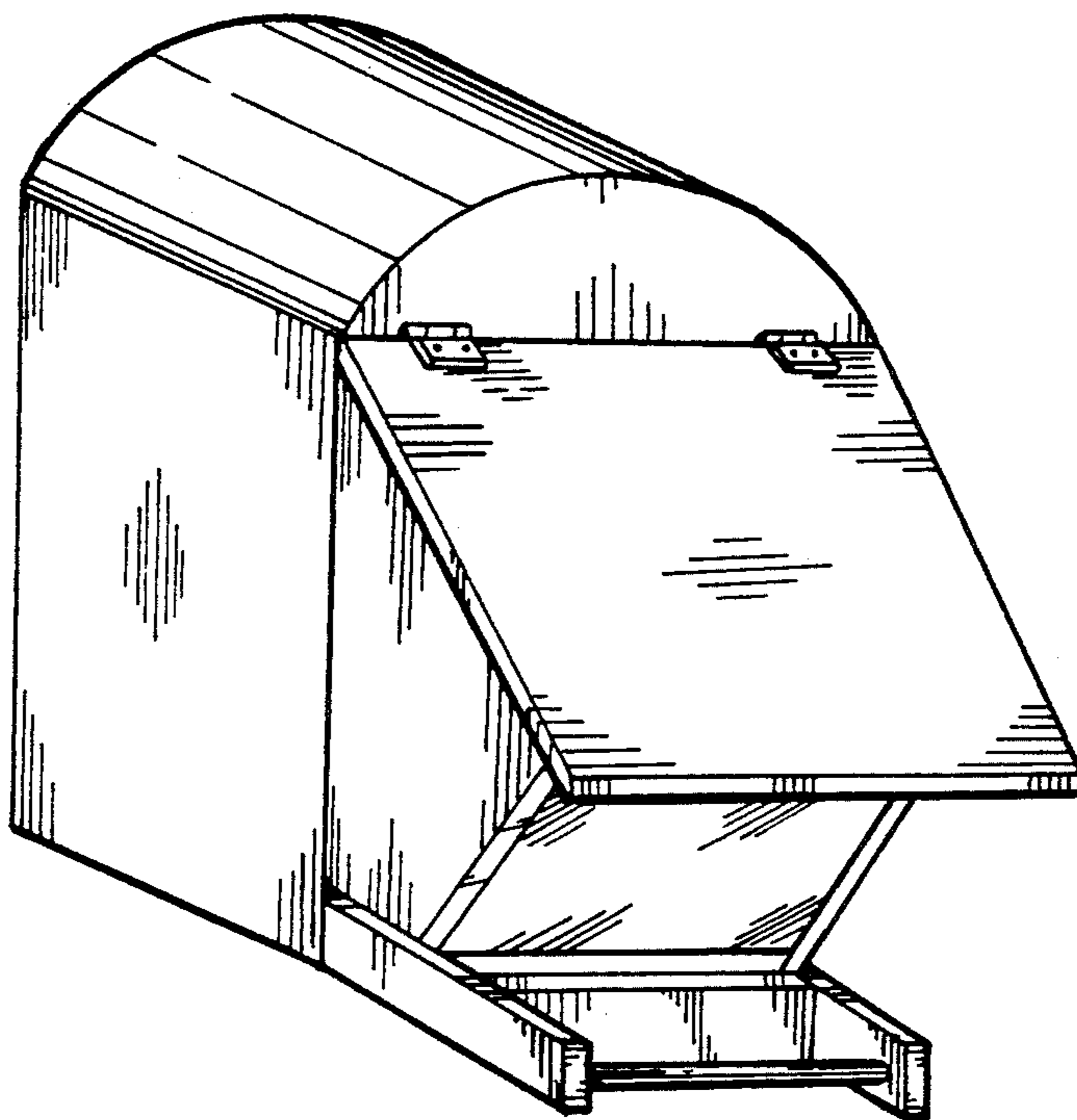


FIG. 2

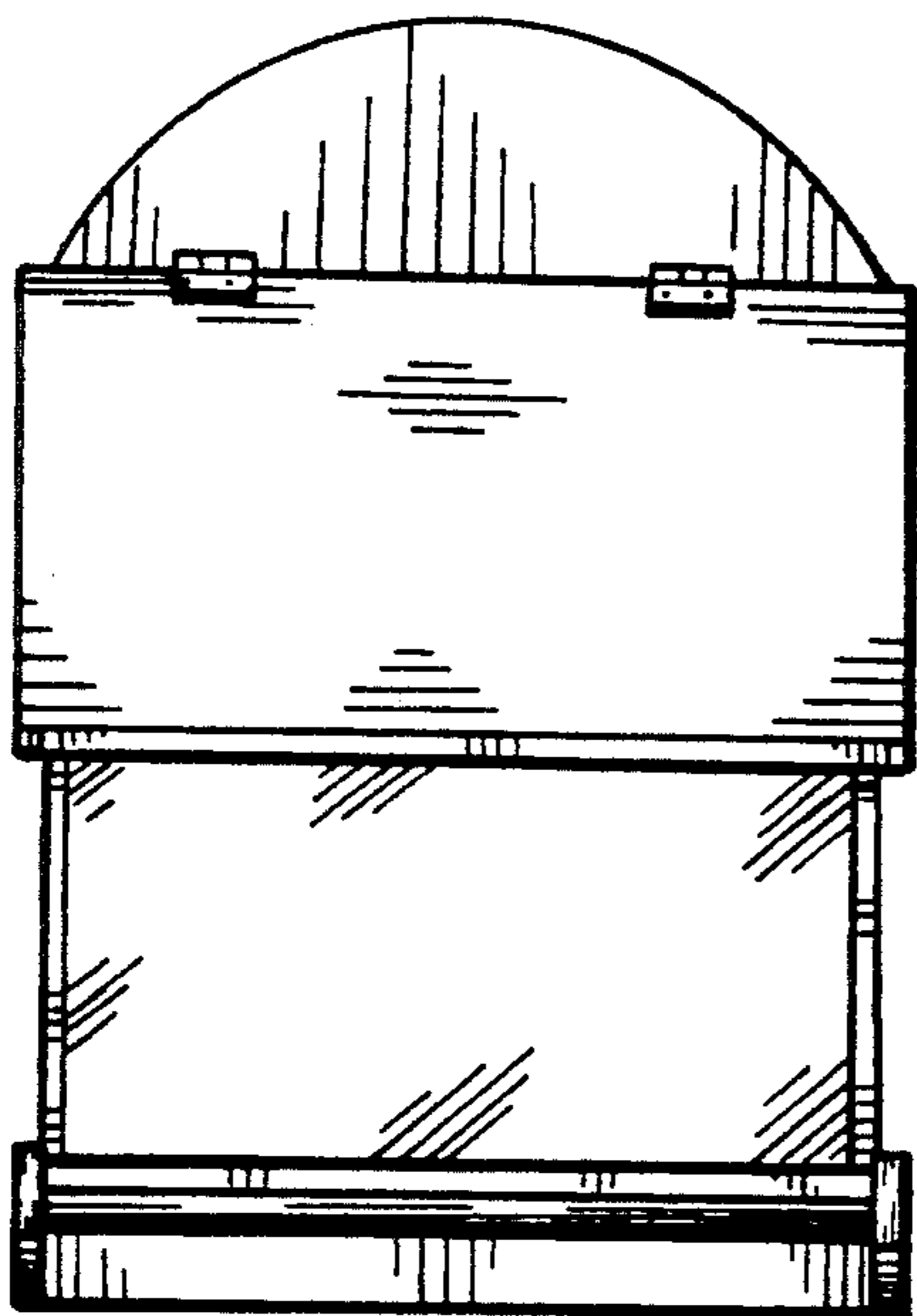


FIG. 3

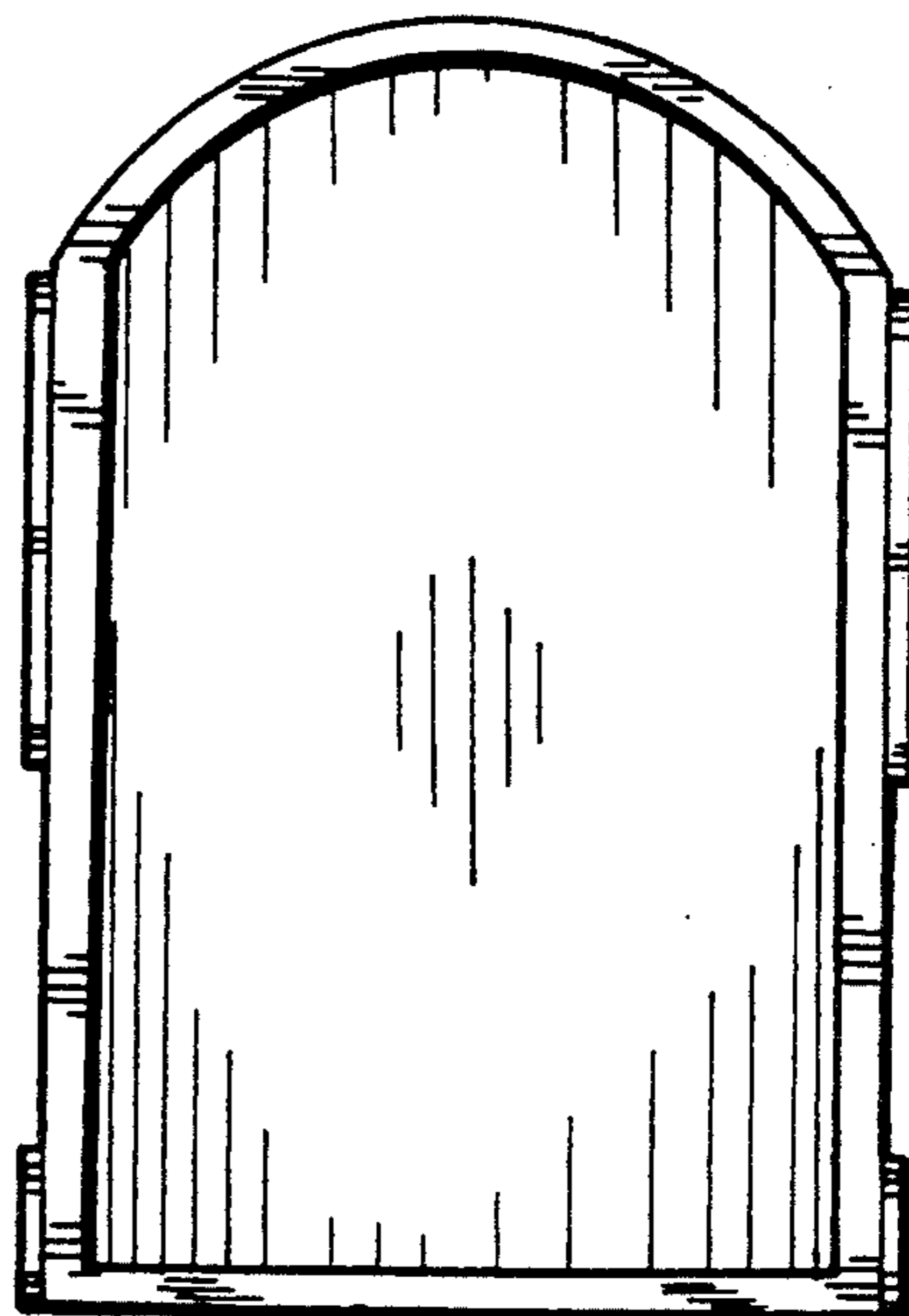


FIG. 4

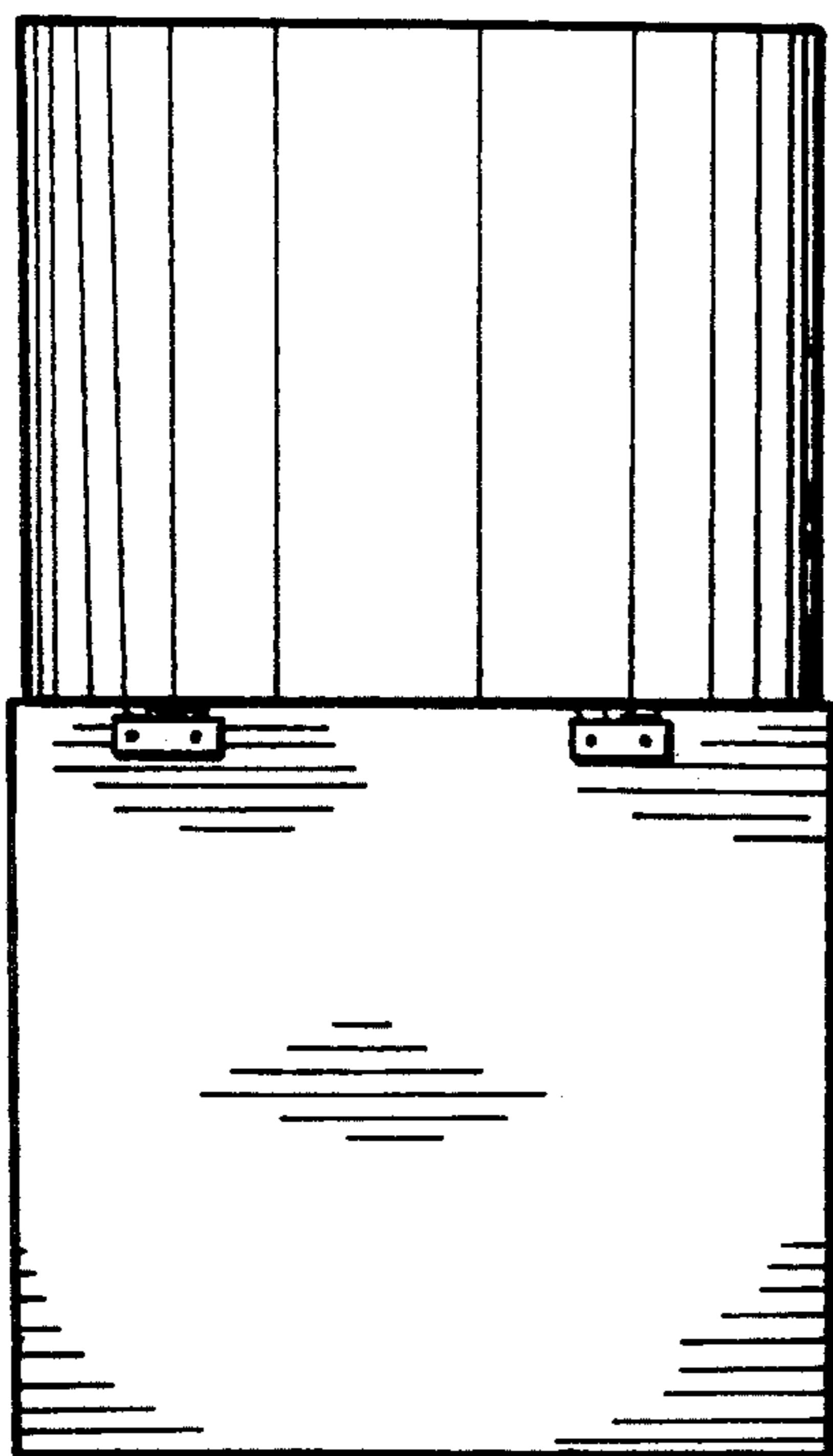


FIG. 5

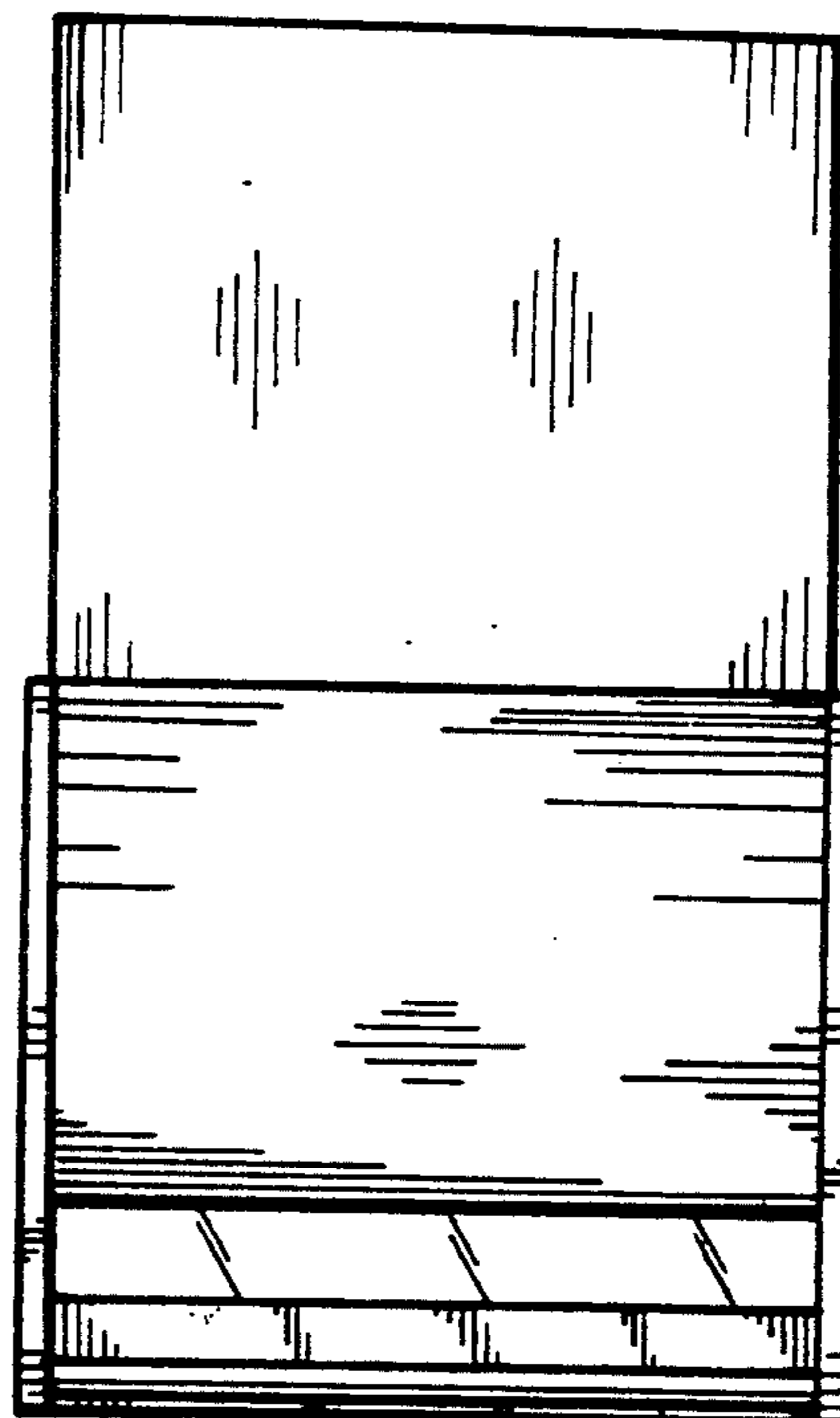


FIG. 6