



US00D330264S

United States Patent [19]

Valentin

[11] Patent Number: **Des. 330,264**

[45] Date of Patent: **** Oct. 13, 1992**

[54] **EXTRUSION FOR USE IN THE CONSTRUCTION OF A WINDOW**

[75] Inventor: **Volker S. Valentin, Indiana, Pa.**

[73] Assignee: **L.B. Plastics Limited, Belper, England**

[*] Notice: The portion of the term of this patent subsequent to Sep. 22, 2006 has been disclaimed.

[**] Term: **14 Years**

[21] Appl. No.: **539,032**

[22] Filed: **Jun. 15, 1990**

[52] U.S. Cl. **D25/124**

[58] Field of Search **D25/52, 119-125; 49/501, 502, 504, DIG. 1, DIG. 2; 52/171**

[56] **References Cited**

U.S. PATENT DOCUMENTS

| | | | |
|------------|--------|----------------------|---------|
| D. 263,754 | 4/1982 | Dallaine | D25/122 |
| D. 263,755 | 4/1982 | Dallaine | D25/122 |
| D. 307,801 | 5/1990 | Westphal et al. | D25/124 |
| 5,014,466 | 5/1991 | Winner | 49/504 |

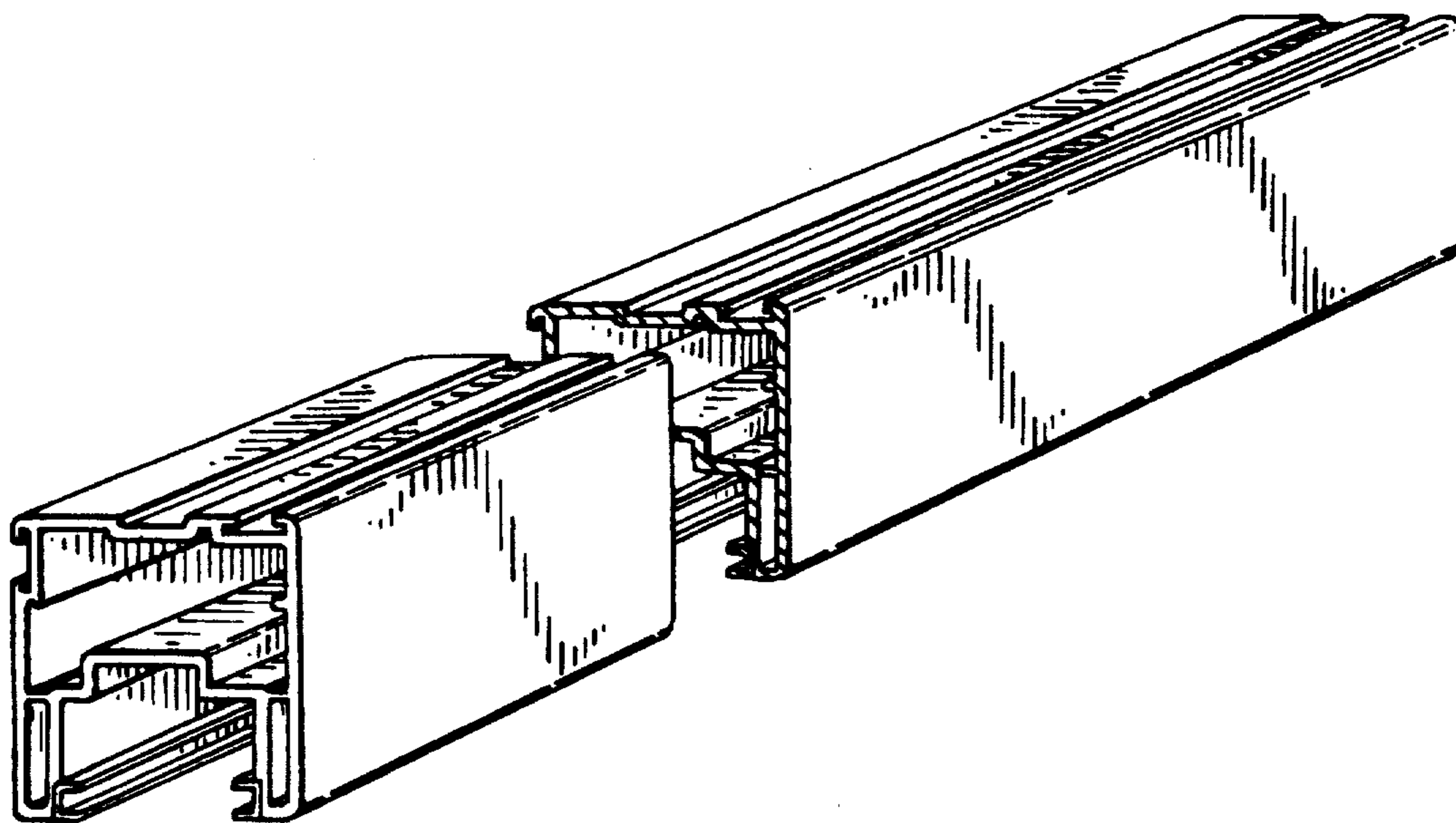
Primary Examiner—A. Hugo Word
Assistant Examiner—Doris Clark
Attorney, Agent, or Firm—W. Thad Adams, III

[57] **CLAIM**

The ornamental design of an extrusion for use in the construction of a window, as shown and described.

DESCRIPTION

FIG. 1 is a perspective view of an extrusion for use in the construction of a window showing my new design, the center being broken away to indicate indeterminate length; and, FIG. 2 is an end elevational view thereof.



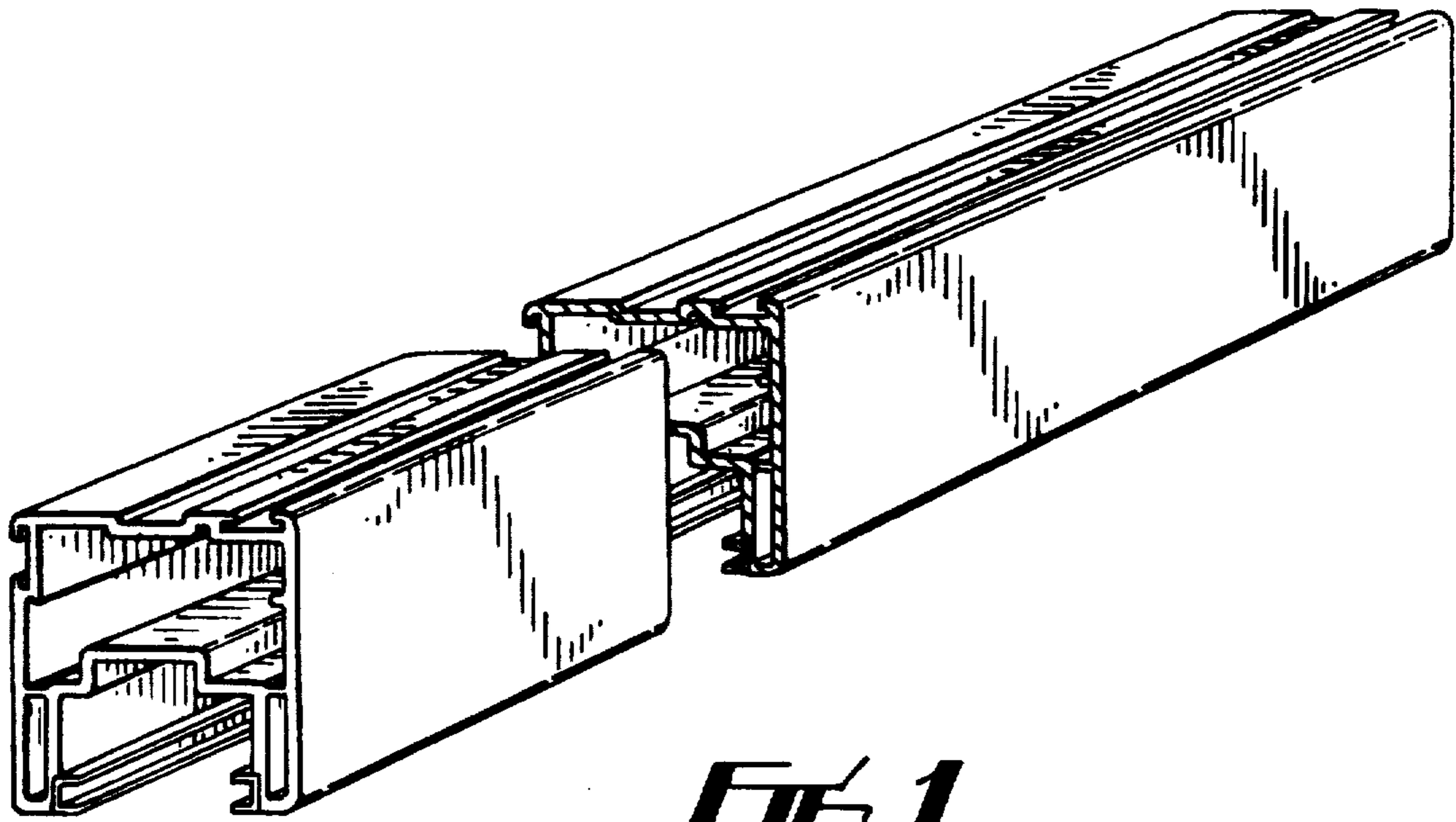


FIG. 1

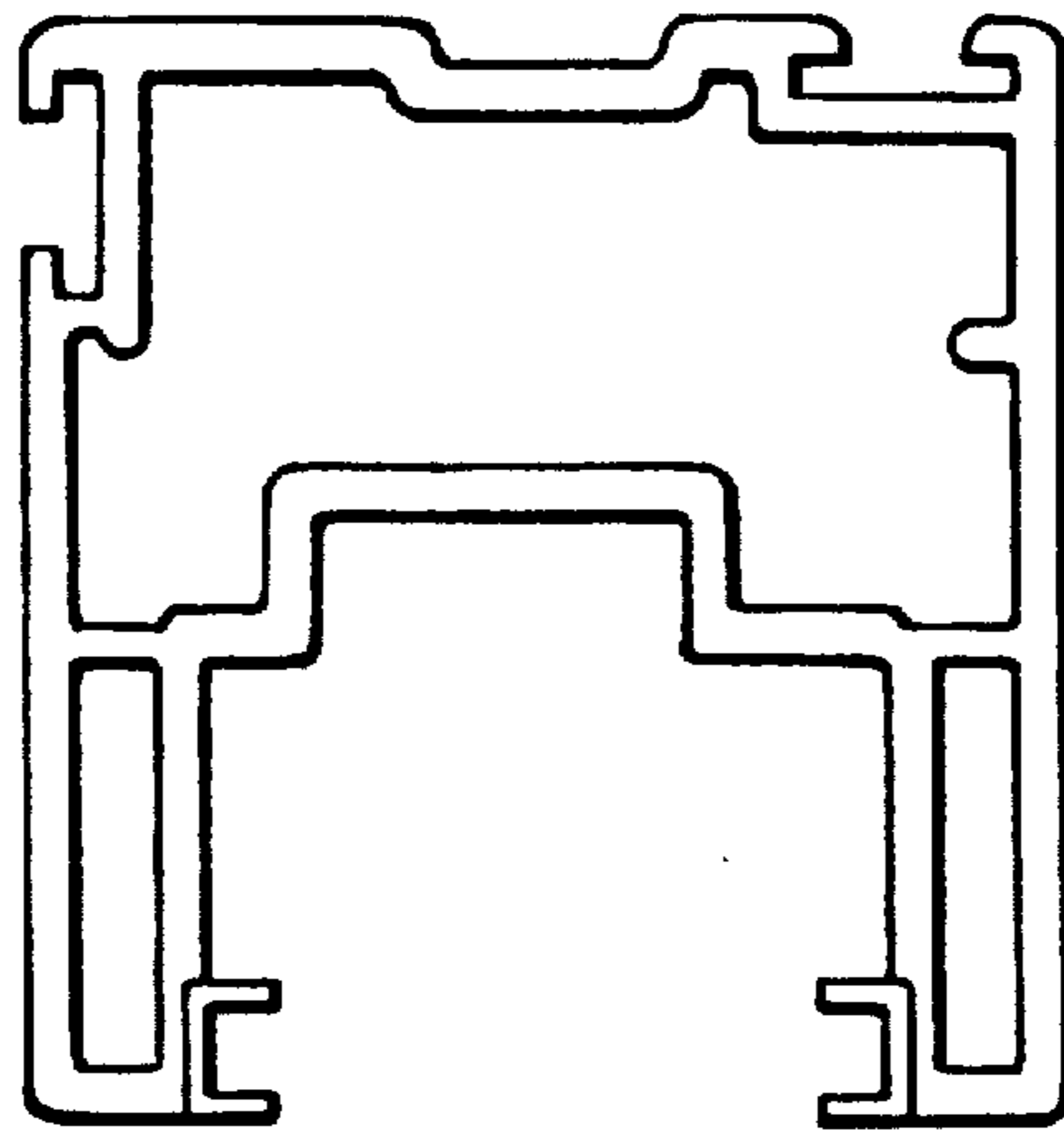


FIG. 2