



US00D330257S

United States Patent [19]
Schneider

[11] **Patent Number: Des. 330,257**
[45] **Date of Patent: ** Oct. 13, 1992**

[54] **REAGENT TRAY**
[75] **Inventor: Eric Schneider, Philadelphia, Pa.**
[73] **Assignee: Zynaxis Technologies, Inc., Malvern, Pa.**
[**] **Term: 14 Years**
[21] **Appl. No.: 530,248**
[22] **Filed: May 30, 1990**
[52] **U.S. Cl. D24/224; D24/223**
[58] **Field of Search D24/224, 223, 227, 230, D24/121, 229; 206/557; 422/61, 64; 436/814; 435/975, 297, 298; D7/550, 553**

Primary Examiner—A. Hugo Word
Assistant Examiner—I. Simmons
Attorney, Agent, or Firm—Dann, Dorfman, Herrell and Skillman

[57] **CLAIM**

The ornamental design for a reagent tray, as shown and described.

DESCRIPTION

FIG. 1 is a perspective view of a reagent tray showing my new design, with cover on;
FIG. 2 is a side elevational view thereto with cover removed, the opposite side elevational view being a mirror image thereof;
FIG. 3 is a front elevational view, the opposite side elevational view being a mirror image thereof;
FIG. 4 is a top plan view thereof;
FIG. 5 is a bottom plan view thereof; and,
FIG. 6 is a cross sectional view taken along the line 6—6, the reagent container shown in broken line is for illustrative purposes only and form no part of the claimed design.

[56] **References Cited**

U.S. PATENT DOCUMENTS

D. 199,830	12/1964	Hill	D24/230
D. 273,987	5/1984	Holen et al.	D24/223
3,356,462	12/1967	Cooke et al.	264/268
4,030,980	6/1977	Beckford et al.	435/298
4,180,159	12/1979	Tanaka	206/1.7
4,370,419	1/1983	Iida et al.	422/61 X
4,901,850	2/1990	McIntosh	206/1.7

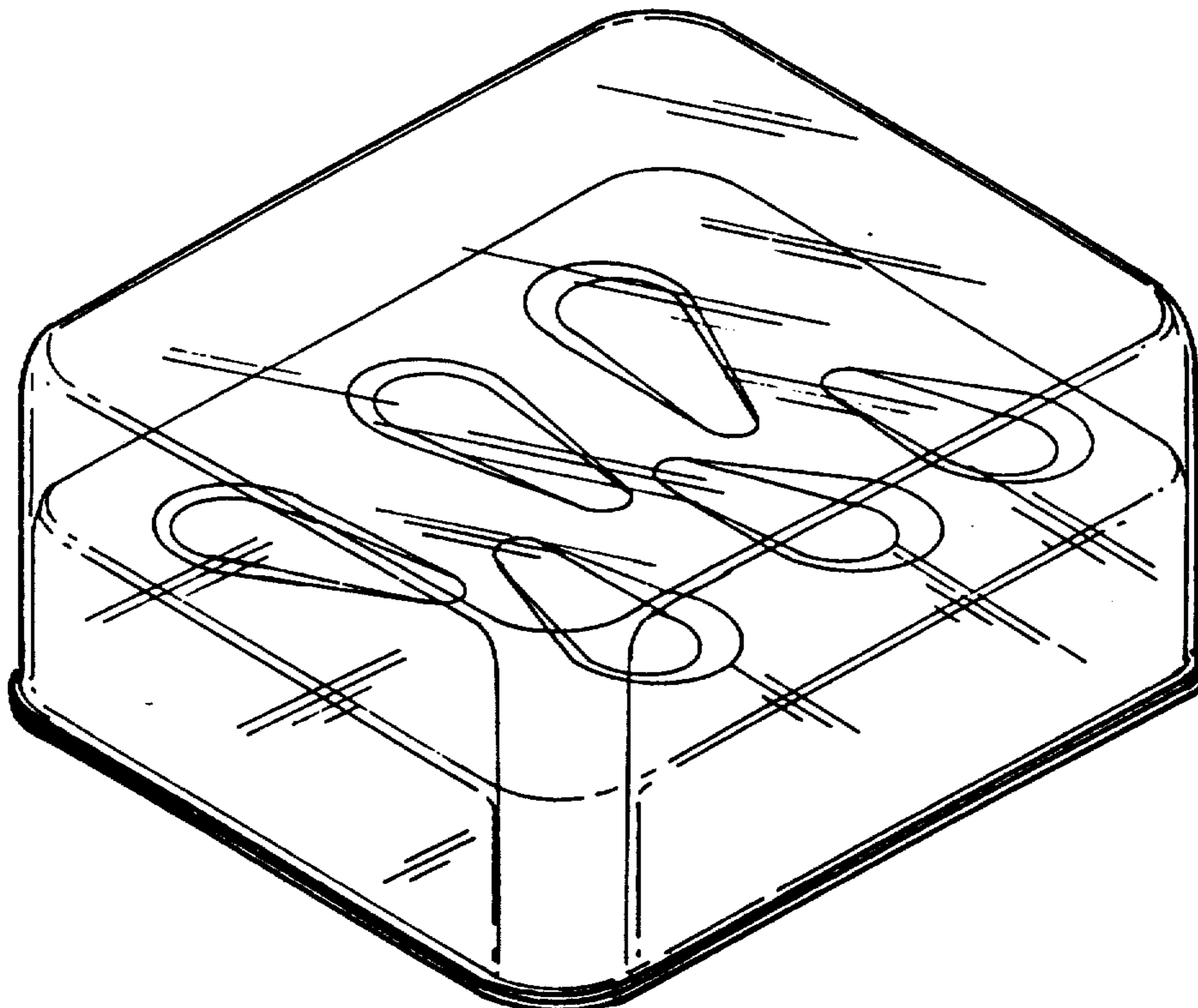


FIG. 1

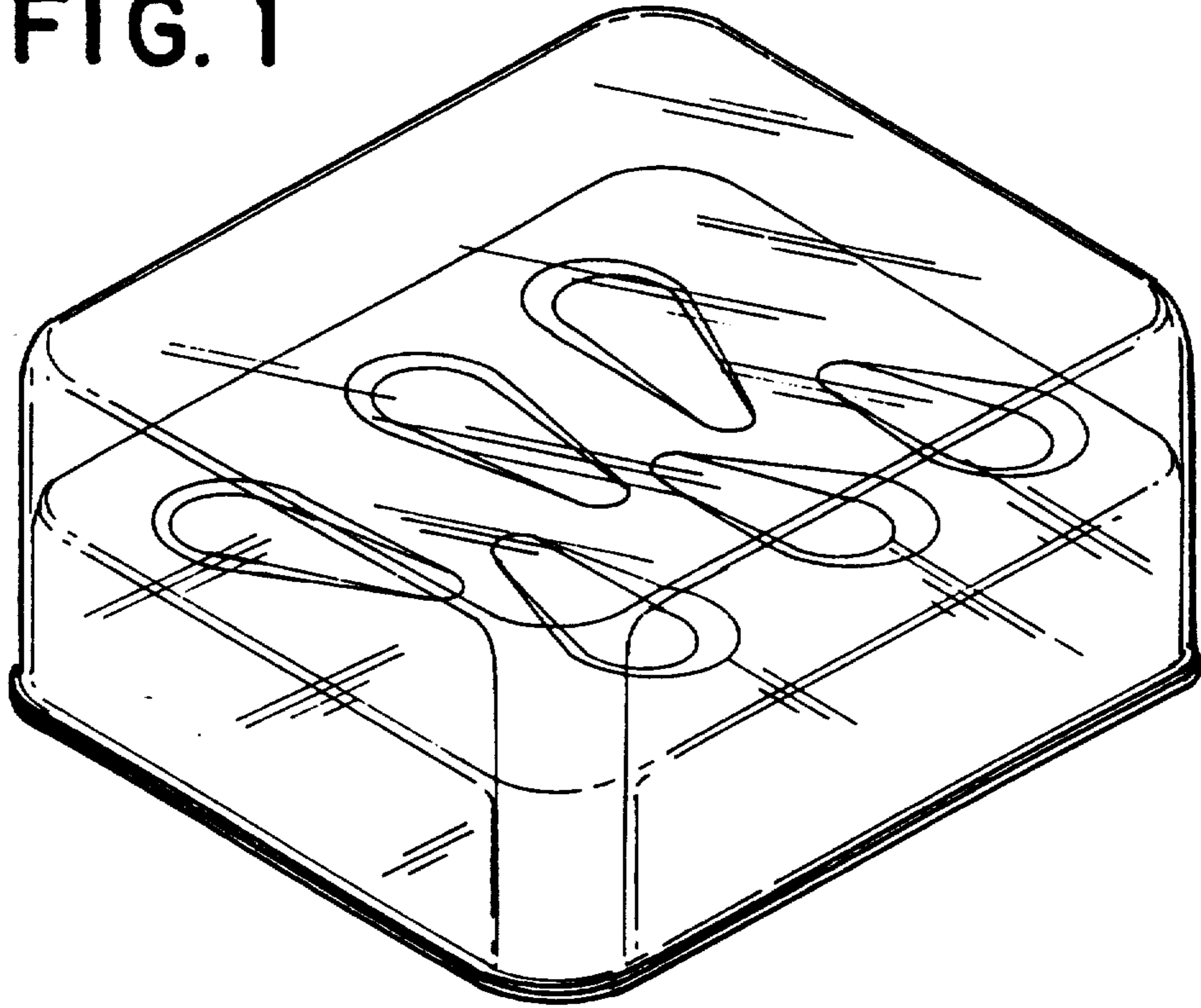


FIG. 2

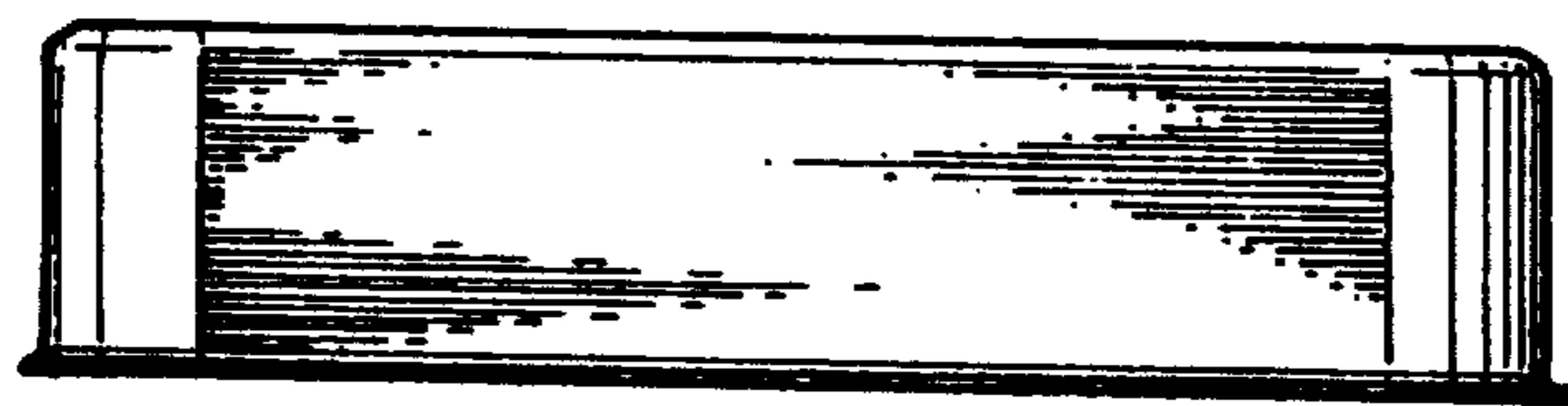
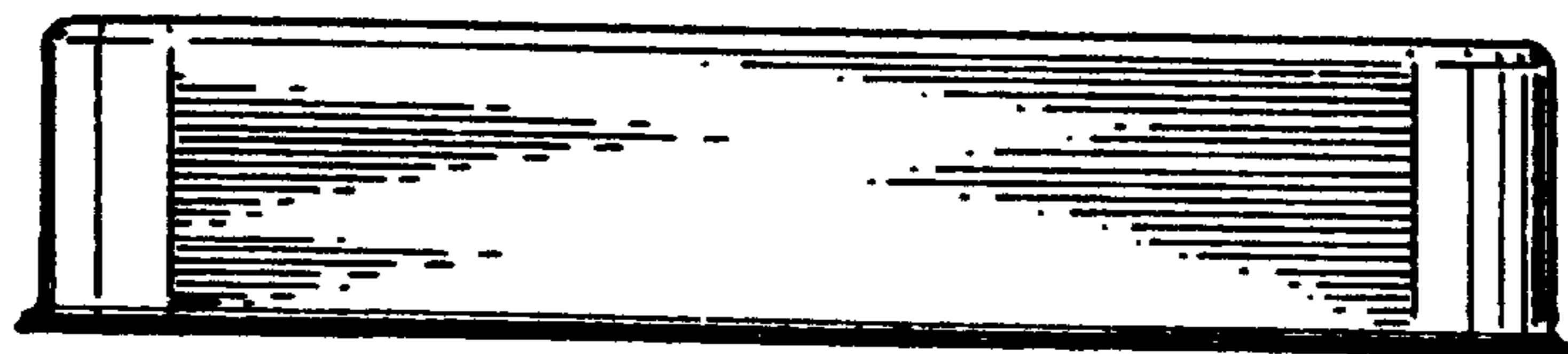
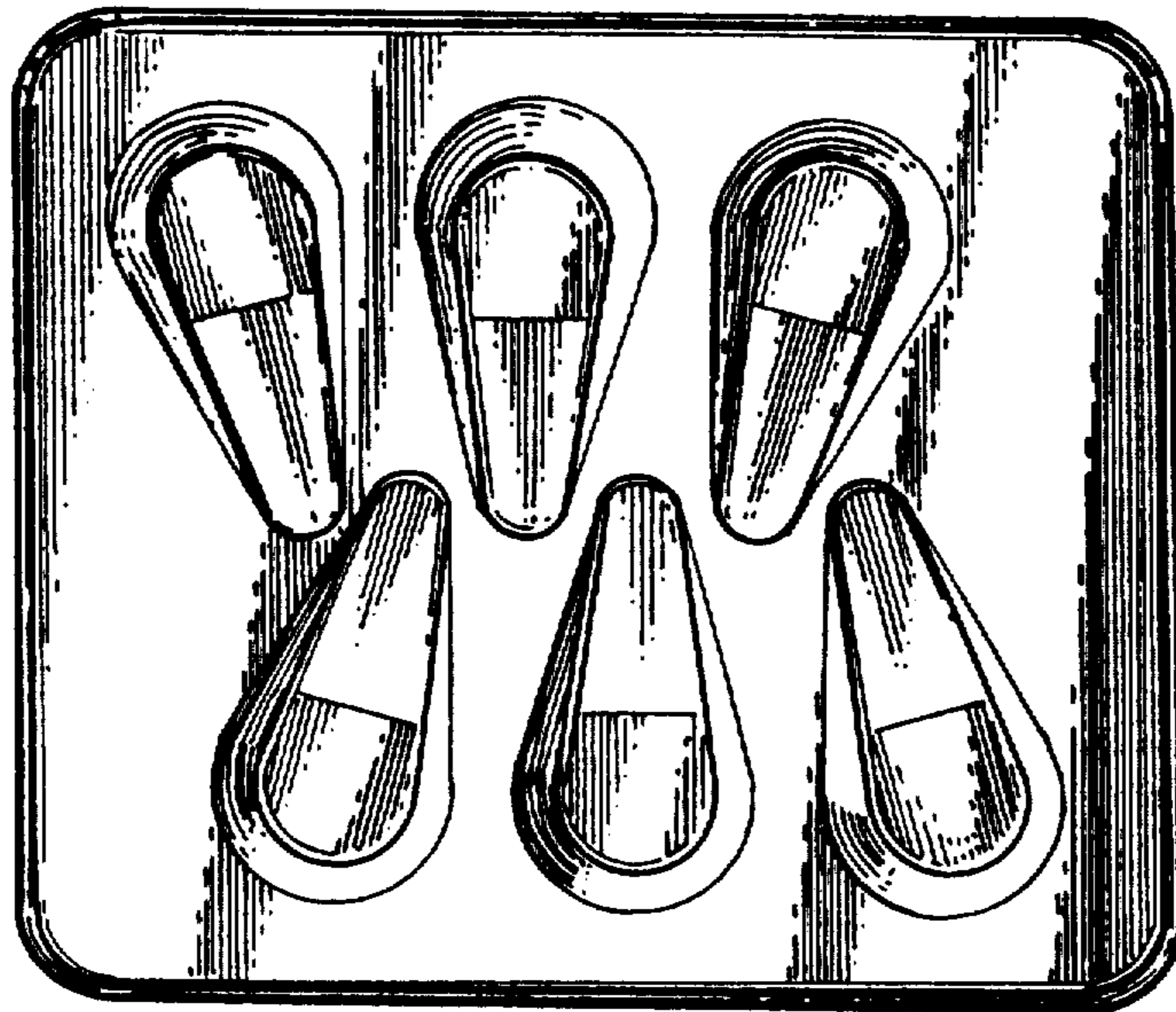


FIG. 3



6 ← FIG. 4



6 ← FIG. 5

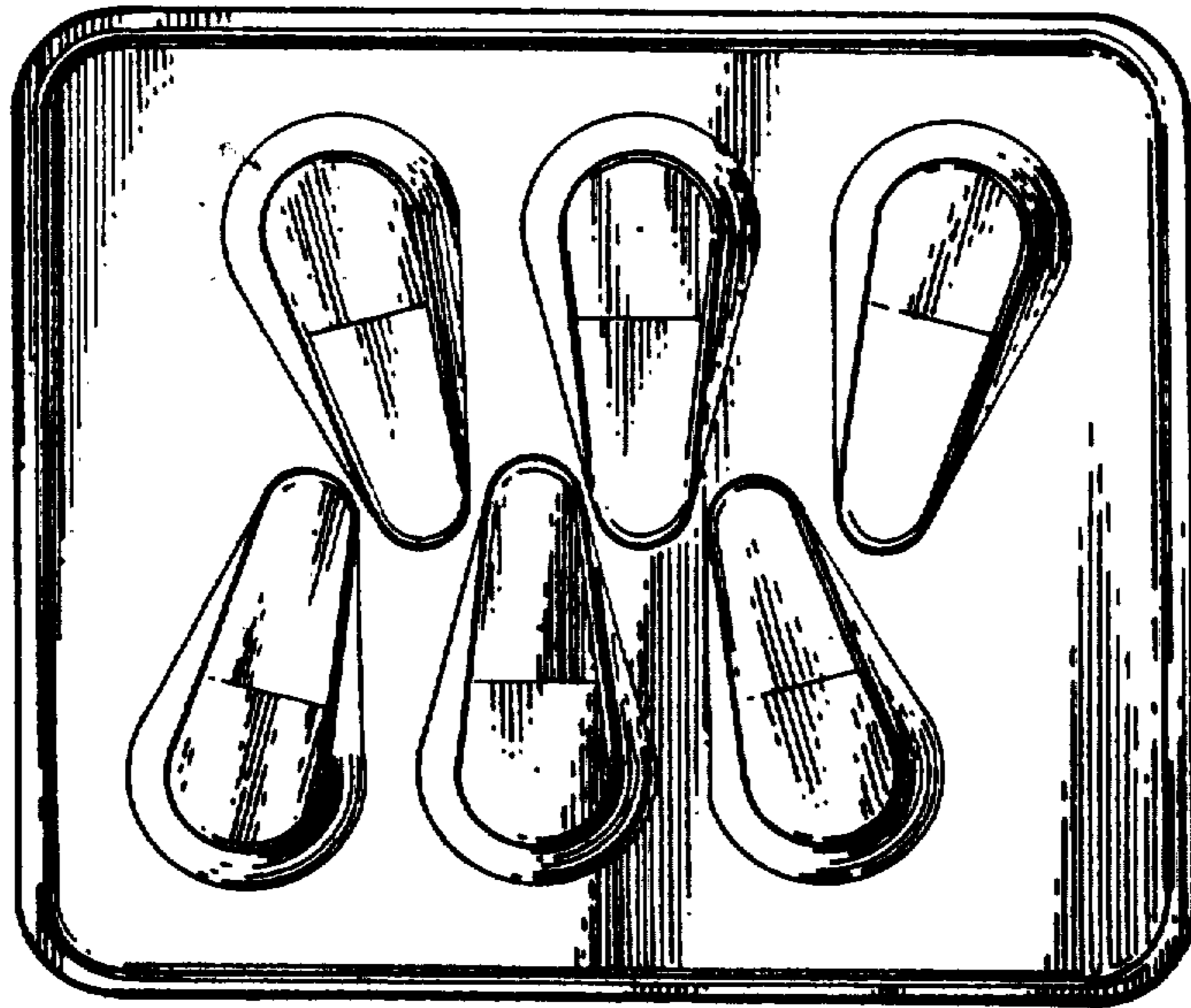


FIG. 6

