



US00D330255S

# United States Patent [19]

Nelson, Jr.

[11] Patent Number: **Des. 330,255**

[45] Date of Patent: **\*\* Oct. 13, 1992**

[54] **BANDAGE**

4,808,172 2/1989 Murata ..... 604/306  
5,056,510 10/1991 Gilman ..... 128/155

[76] Inventor: **Charles Nelson, Jr.**, 3320 NW. 7th Ct., Ft. Lauderdale, Fla. 33311

*Primary Examiner*—Stella Reid  
*Attorney, Agent, or Firm*—Terry M. Gerstein

[\*\*] Term: **14 Years**

[57] **CLAIM**

[21] Appl. No.: **390,355**

The ornamental design for a bandage, as shown and described.

[22] Filed: **Aug. 7, 1989**

[52] U.S. Cl. .... **D24/189**

[58] Field of Search ..... **D24/189; 128/155, 154, 128/156; 604/306, 307**

### DESCRIPTION

FIG. 1 is a perspective view of a bandage, showing my new design in partially open condition;

FIG. 2 is a top plan view thereof;

FIG. 3 is a bottom plan view thereof in closed condition; and,

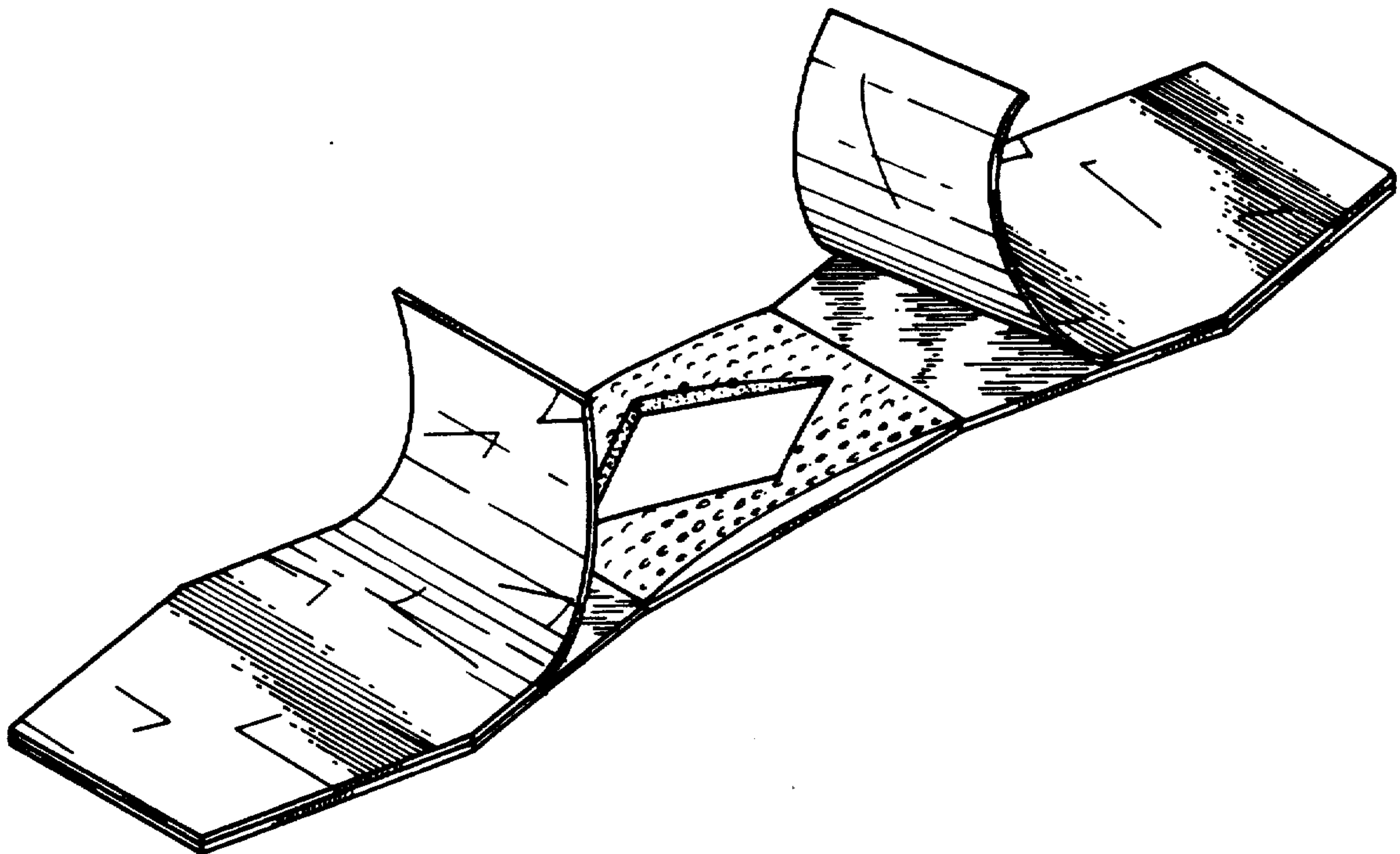
FIG. 4 is a side elevational view thereof, the opposite side elevational view thereof being identical thereto.

The cross-line pattern which is partially shown on the surface of the design in FIG. 2 represents fabric.

### [56] References Cited

#### U.S. PATENT DOCUMENTS

2,595,606 5/1952 Pohjola ..... 604/306  
4,689,044 8/1987 Murata .  
4,728,323 3/1988 Matson .  
4,732,146 3/1988 Fasline .



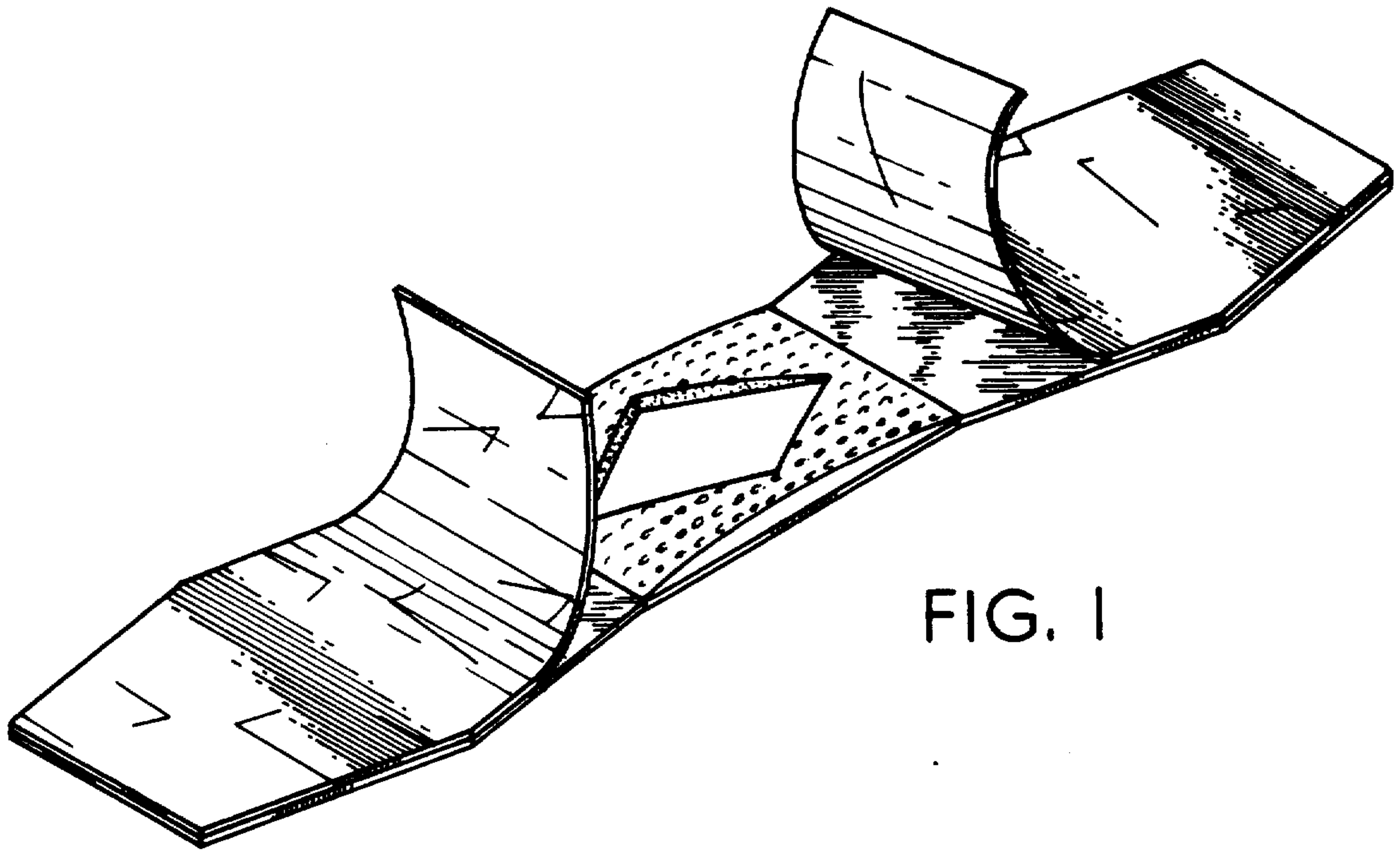


FIG. 1

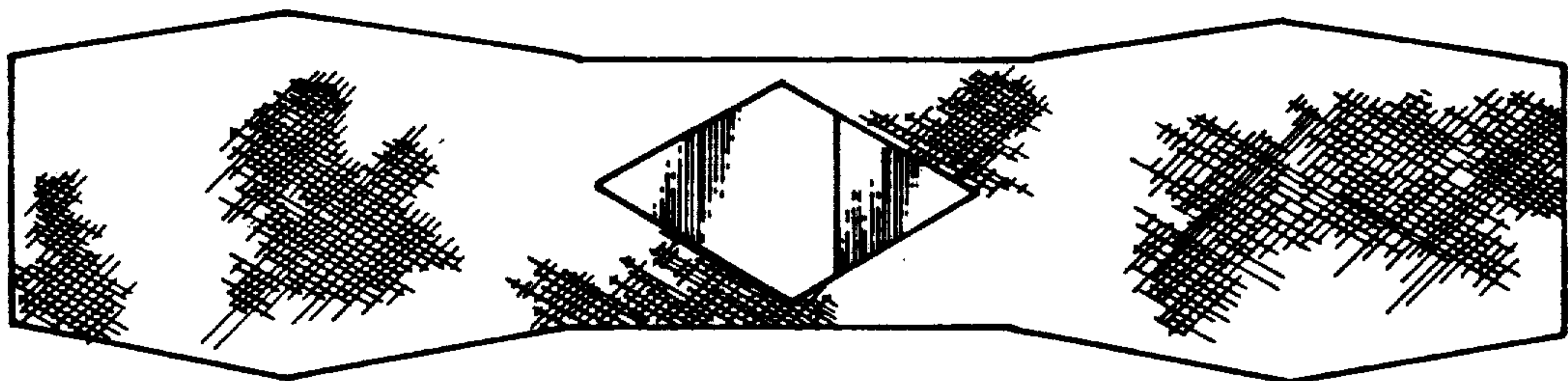


FIG. 2

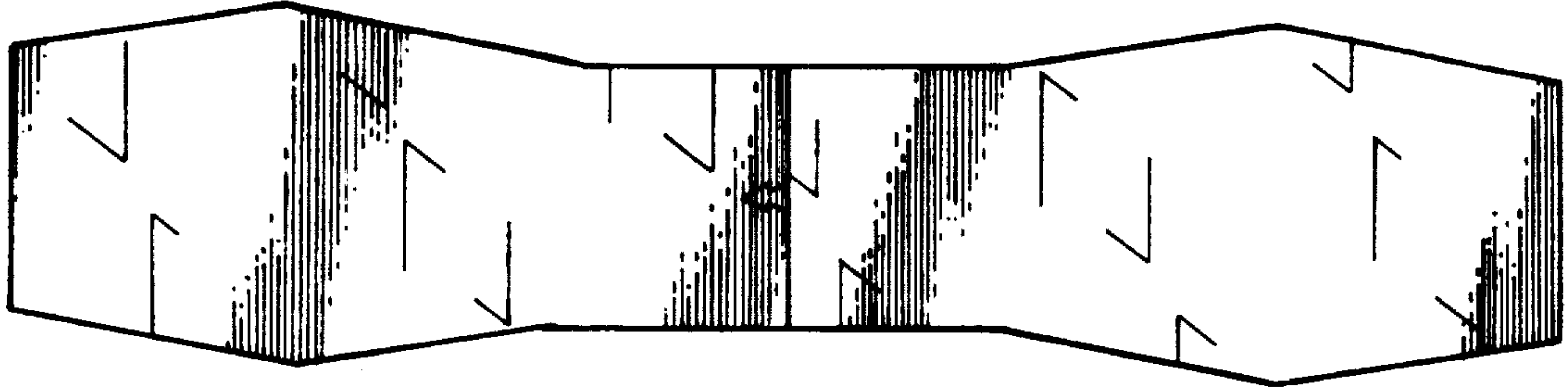


FIG. 3



FIG. 4