



US00D330252S

# United States Patent [19]

**Barquist**

[11] **Patent Number: Des. 330,252**

[45] **Date of Patent: \*\* Oct. 13, 1992**

[54] **LUER FLUID ADAPTOR**  
 [75] **Inventor: Susan F. Barquist, Oakland, Calif.**  
 [73] **Assignee: Miles Inc., Elkhart, Ind.**  
 [\*\*] **Term: 14 Years**  
 [21] **Appl. No.: 530,931**  
 [22] **Filed: May 16, 1990**

4,076,285 2/1978 Martinez ..... 604/905 X  
 4,294,250 10/1981 Dennehey ..... 604/905 X  
 4,346,703 8/1982 Dennehey et al. .... 604/406  
 4,452,473 6/1984 Ruschke ..... D24/129 X  
 4,994,048 2/1991 Metzger ..... 604/905 X

*Primary Examiner—Stella Reid*  
*Assistant Examiner—I. Simmons*  
*Attorney, Agent, or Firm—James A. Giblin*

### Related U.S. Application Data

[63] Continuation-in-part of Ser. No. 931,816, Nov. 18, 1986, abandoned.  
 [52] **U.S. Cl. .... D24/129**  
 [58] **Field of Search ..... D24/129; 604/326, 406, 604/411, 283, 905**

### [57] CLAIM

The ornamental design for an luer fluid adaptor, as shown.

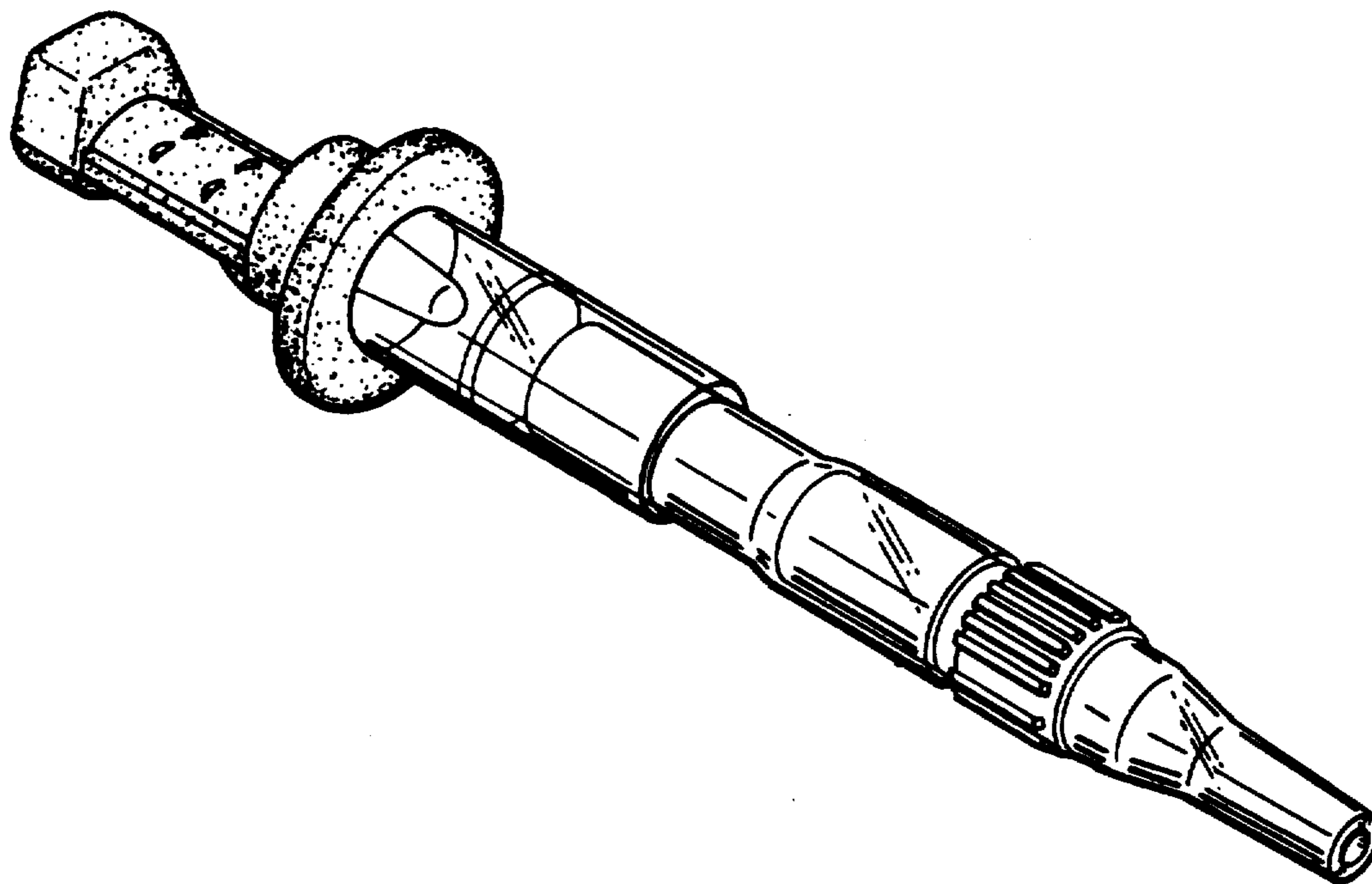
### DESCRIPTION

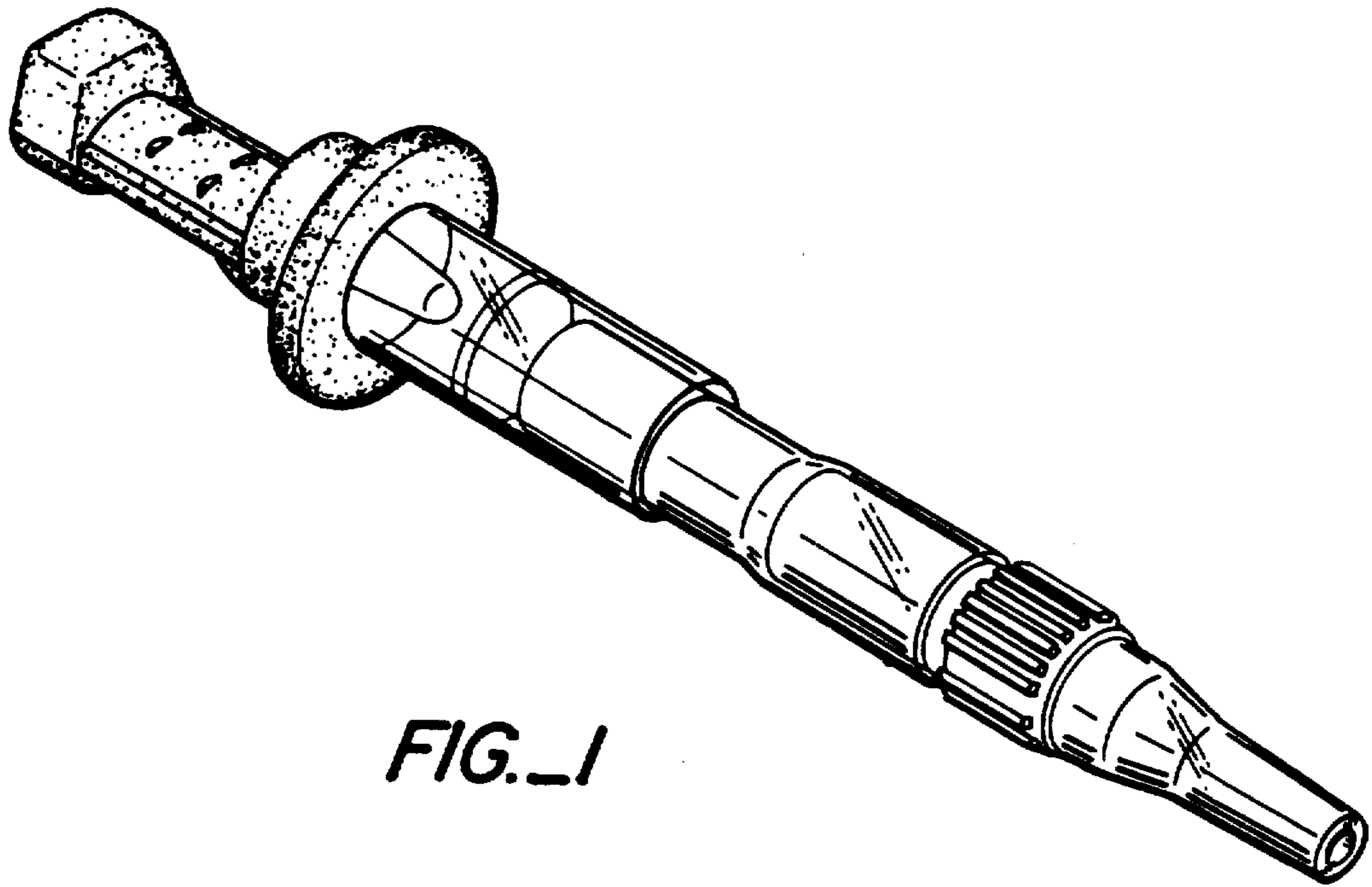
FIG. 1 is a perspective view of a luer fluid adaptor, showing my new design;  
 FIG. 2 is a front elevational view thereof;  
 FIG. 3 is a side elevational view thereof, the opposite side elevational view being a mirror image;  
 FIG. 4 is a rear elevational view thereof;  
 FIG. 5 is a top plan view thereof; and,  
 FIG. 6 is a bottom plan view thereof.

### References Cited

#### U.S. PATENT DOCUMENTS

D. 300,361 3/1989 Tokarz ..... D24/129





*FIG. 1*

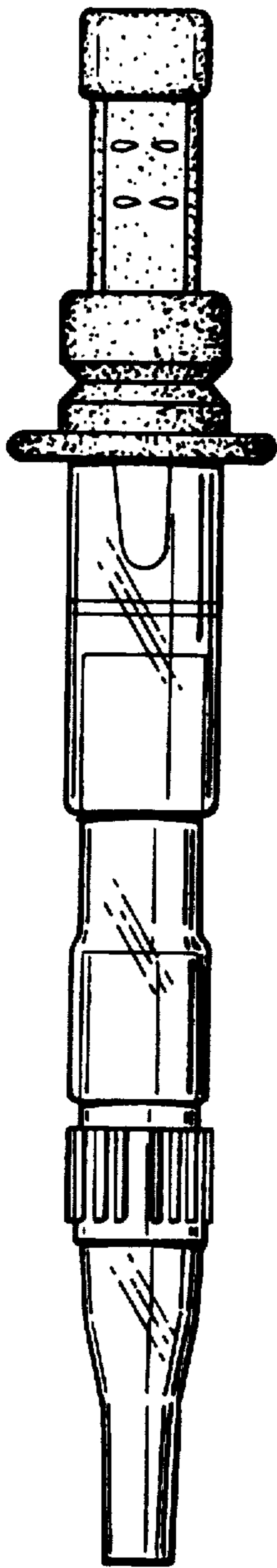


FIG.\_2

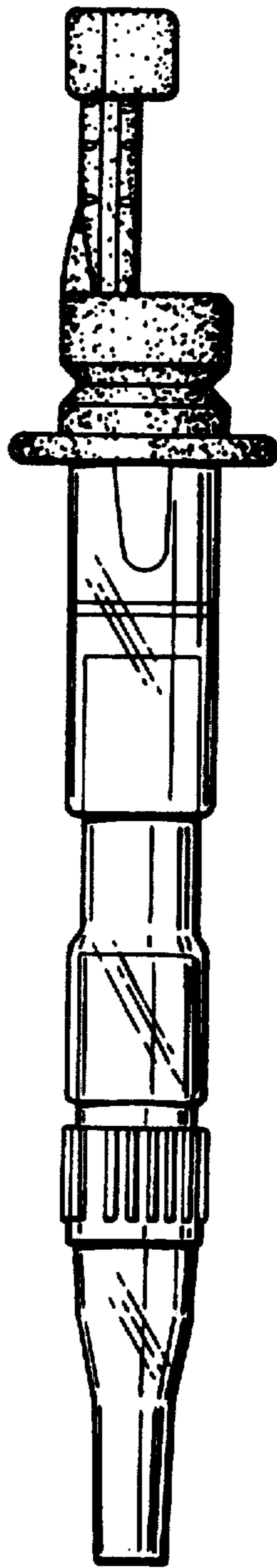


FIG.\_3

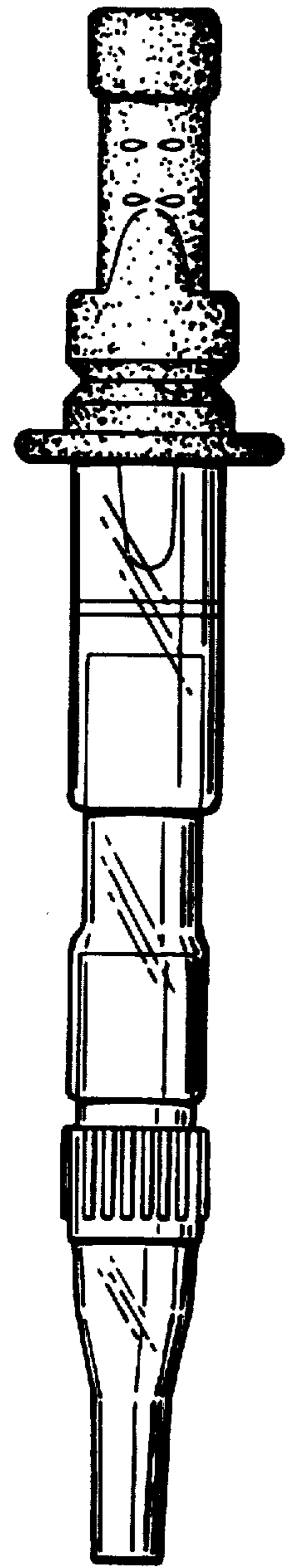


FIG.\_4

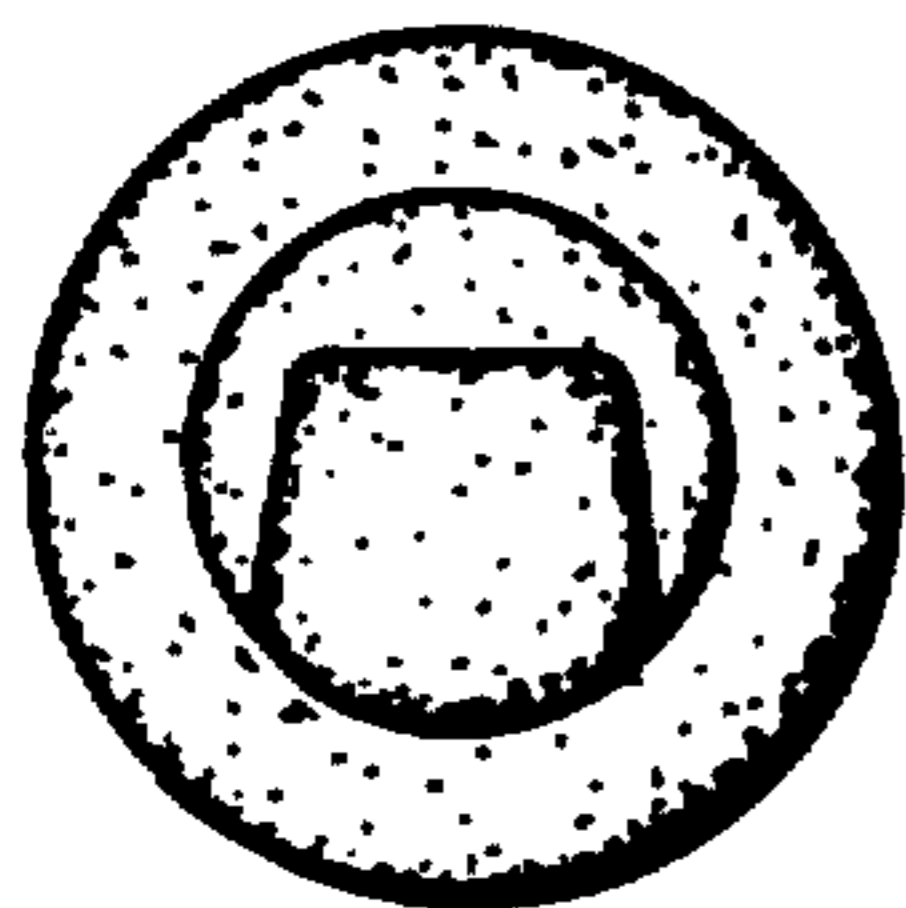


FIG.\_5

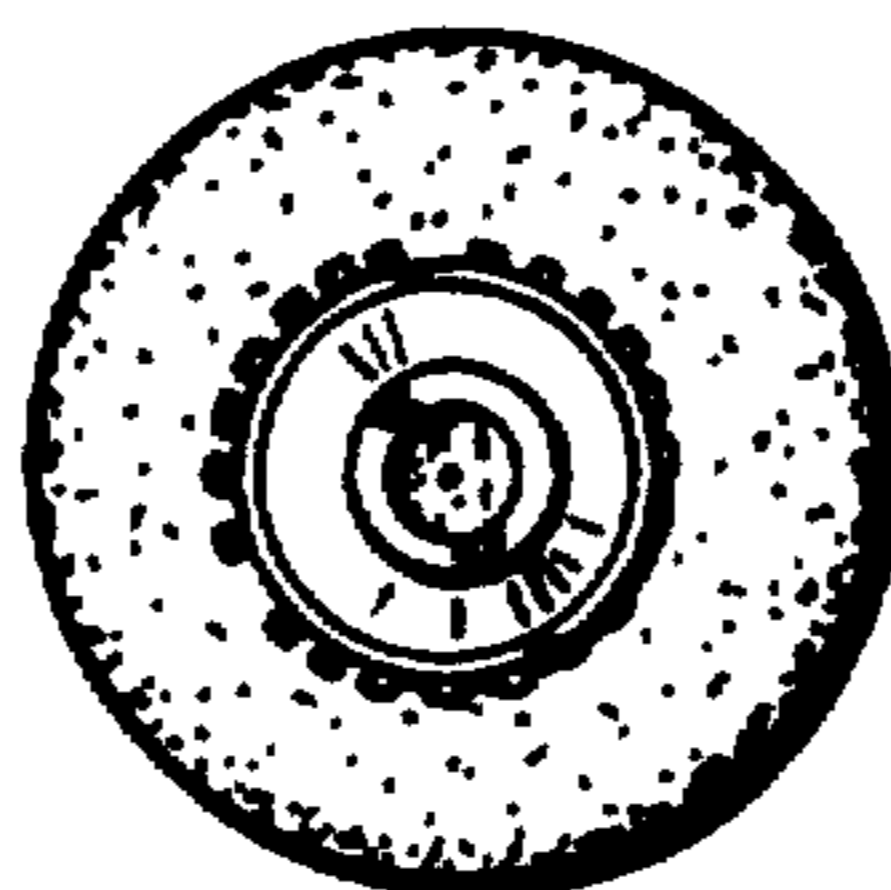


FIG.\_6