



US00D330250S

United States Patent [19] Dye

[11] Patent Number: **Des. 330,250**
[45] Date of Patent: **** Oct. 13, 1992**

[54] **CONNECTOR FOR THERAPEUTIC SYSTEM FOR TREATING VENOUS ULCERS**

[56]

References Cited

U.S. PATENT DOCUMENTS

3,862,629	1/1975	Rotta	128/DIG. 10 X
4,013,069	3/1977	Hasty	128/DIG. 20 X
4,250,918	2/1981	Tuson	285/136 X
5,054,474	10/1991	Jacob et al.	128/64 X

[75] Inventor: **John F. Dye, Bridgewater, Mass.**

[73] Assignee: **The Kendall Company, Mansfield, Mass.**

[*] Notice: The portion of the term of this patent subsequent to Oct. 13, 2006 has been disclaimed.

[**] Term: **14 Years**

[21] Appl. No.: **493,555**

[22] Filed: **Mar. 14, 1990**

[52] U.S. Cl. **D24/129**

[58] Field of Search **D24/129, 169; 285/134, 285/136, 190, 423; 128/24, D10, D20**

Primary Examiner—Stella Reid
Assistant Examiner—I. Simmons
Attorney, Agent, or Firm—Alvin Isaacs

[57]

CLAIM

The ornamental design for a connector for therapeutic system for treating venous ulcers, as shown.

DESCRIPTION

FIG. 1 is a front elevational view of a connector for therapeutic system for treating venous ulcers showing my new design;

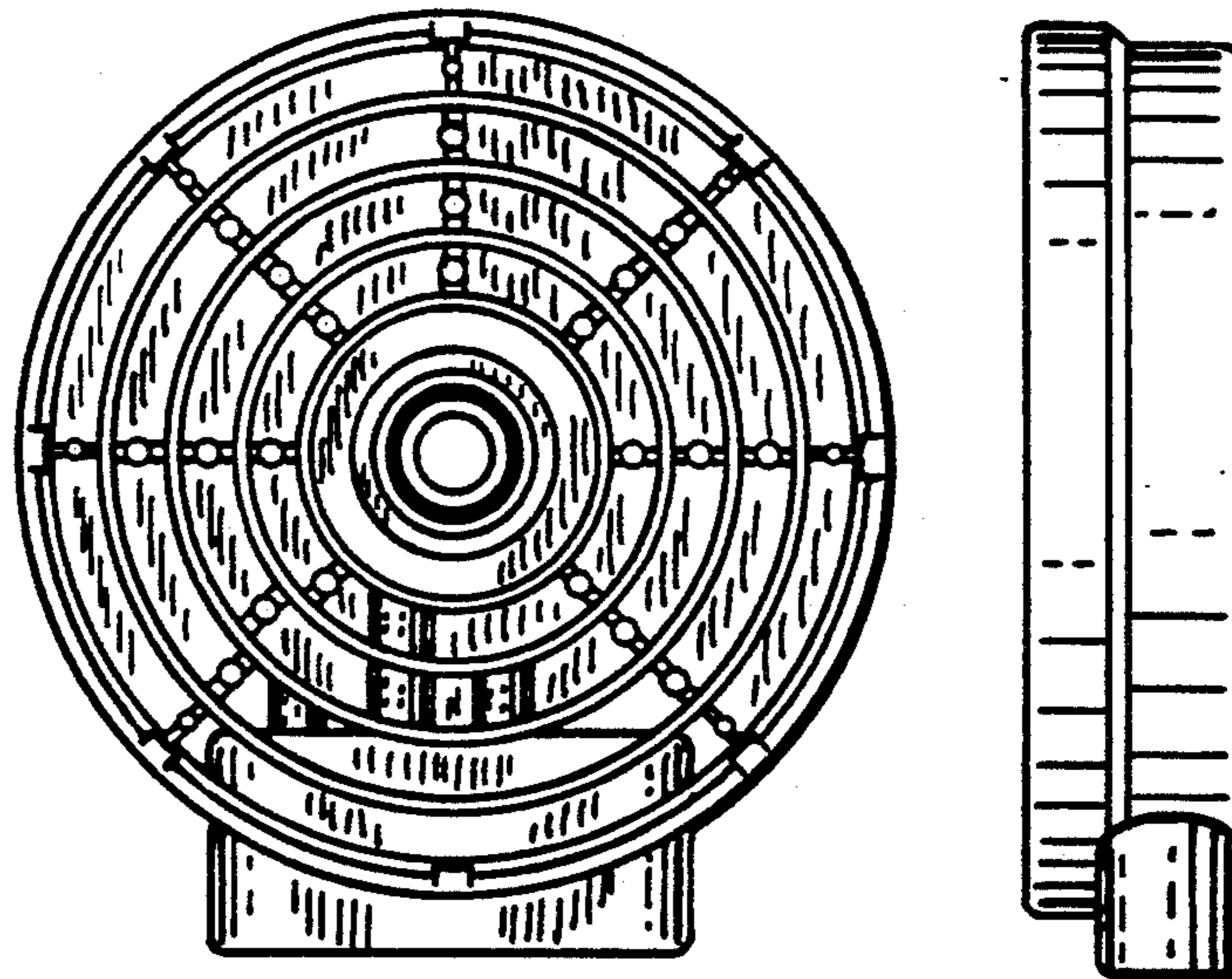
FIG. 2 is a rear elevational view thereof;

FIG. 3 is a top plan view thereof;

FIG. 4 is a bottom plan view thereof;

FIG. 5 is a right side elevational view thereof; and,

FIG. 6 is a left side elevational view thereof.



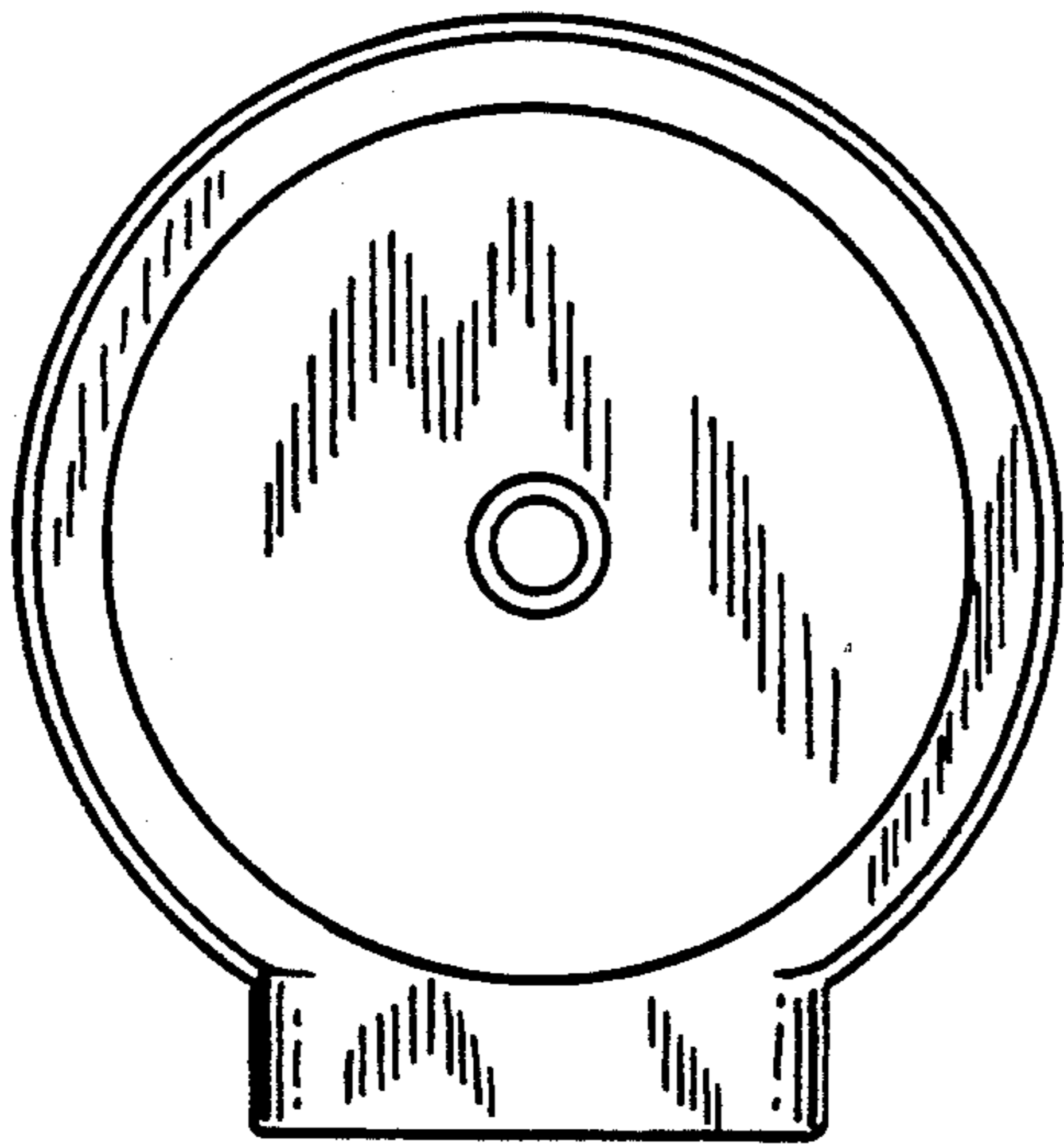


FIG. 1

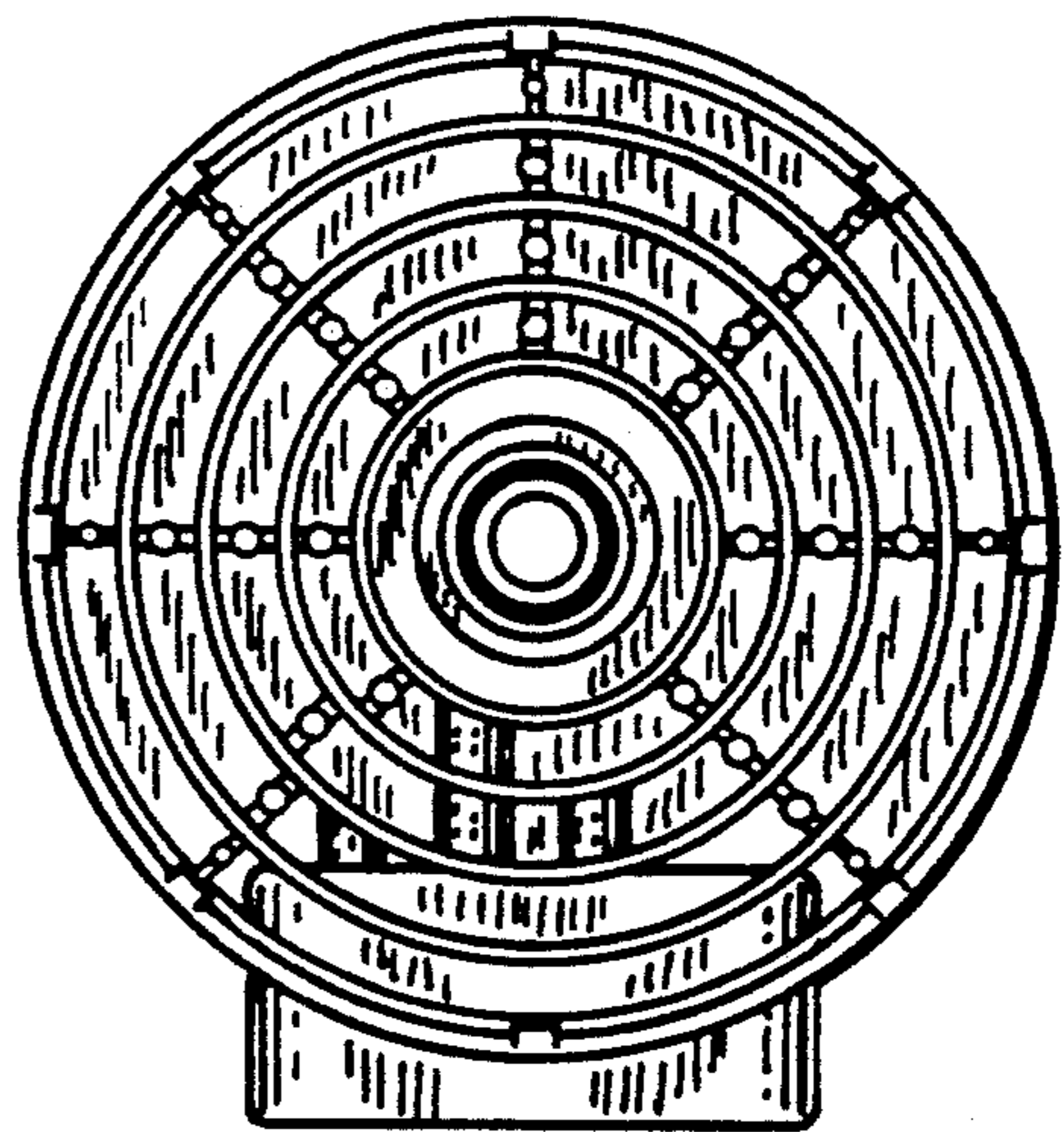


FIG. 2

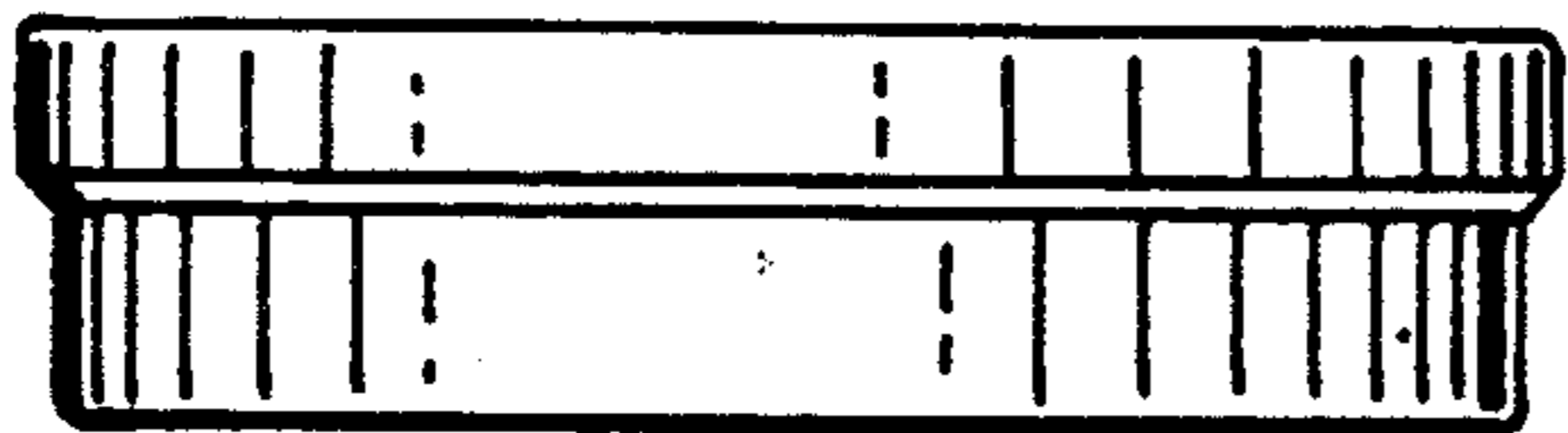


FIG. 3

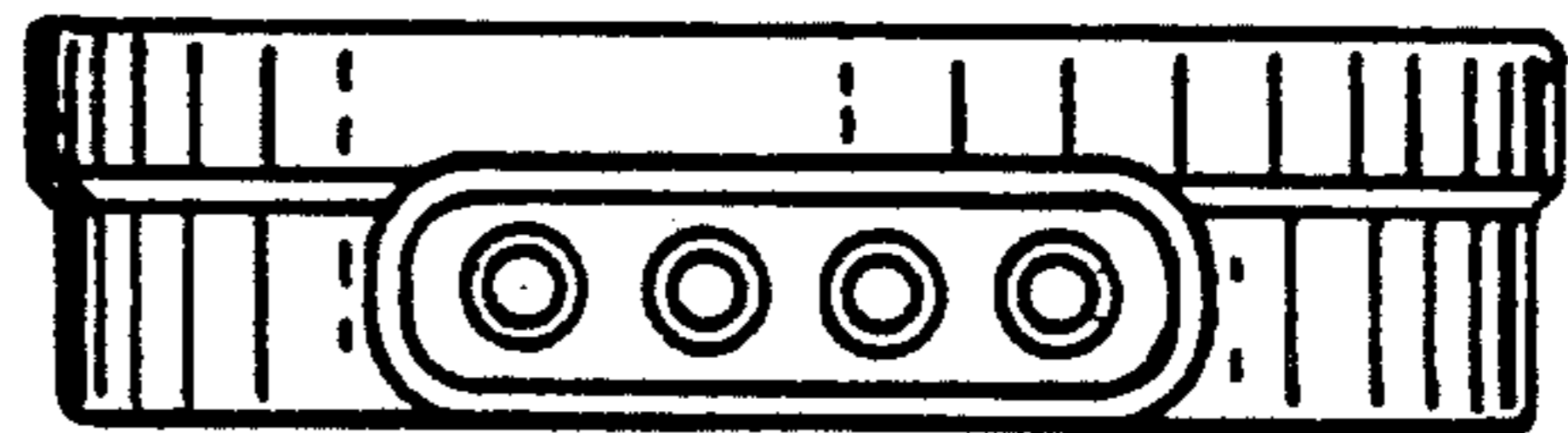


FIG. 4

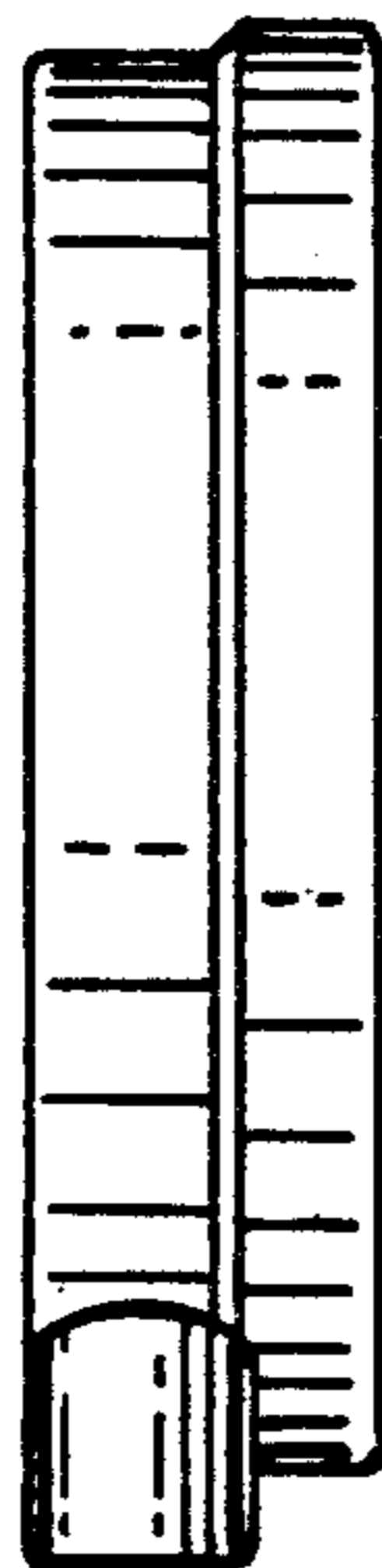


FIG. 5

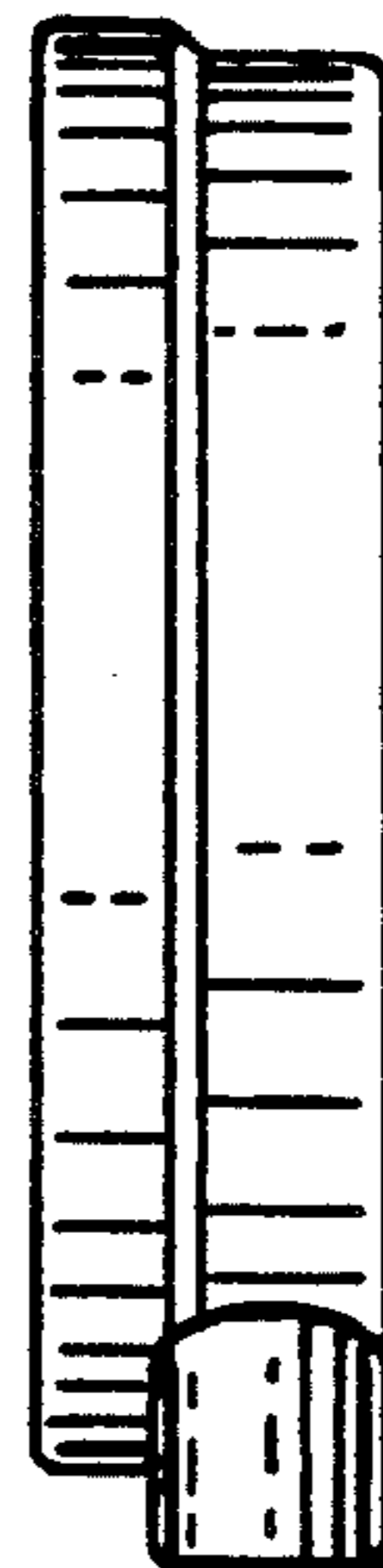


FIG. 6