



US00D330249S

United States Patent [19] Mitchell

[11] Patent Number: Des. 330,249

[45] Date of Patent: ** Oct. 13, 1992

[54] ANIMAL MEDICATION APPLICATOR
BRUSH

[76] Inventor: John R. Mitchell, Rte. HC-51, Box
52, Jacksboro, Tex. 76056

[**] Term: 14 Years

[21] Appl. No.: 491,842

[22] Filed: Mar. 12, 1990

[52] U.S. Cl. D24/119; D4/114;
D4/116; D30/158

[58] Field of Search D24/119; D4/114, 116,
D4/117, 118, 119, 137, 138; D9/337, 338, 339,
401; 119/83, 85, 92; 15/104.94; 132/110, 112,
116; D30/158, 159

[56] References Cited

U.S. PATENT DOCUMENTS

D. 288,988	3/1987	Fomby	D4/135
4,799,456	1/1989	Young	119/83
4,958,596	9/1990	Belan	119/83

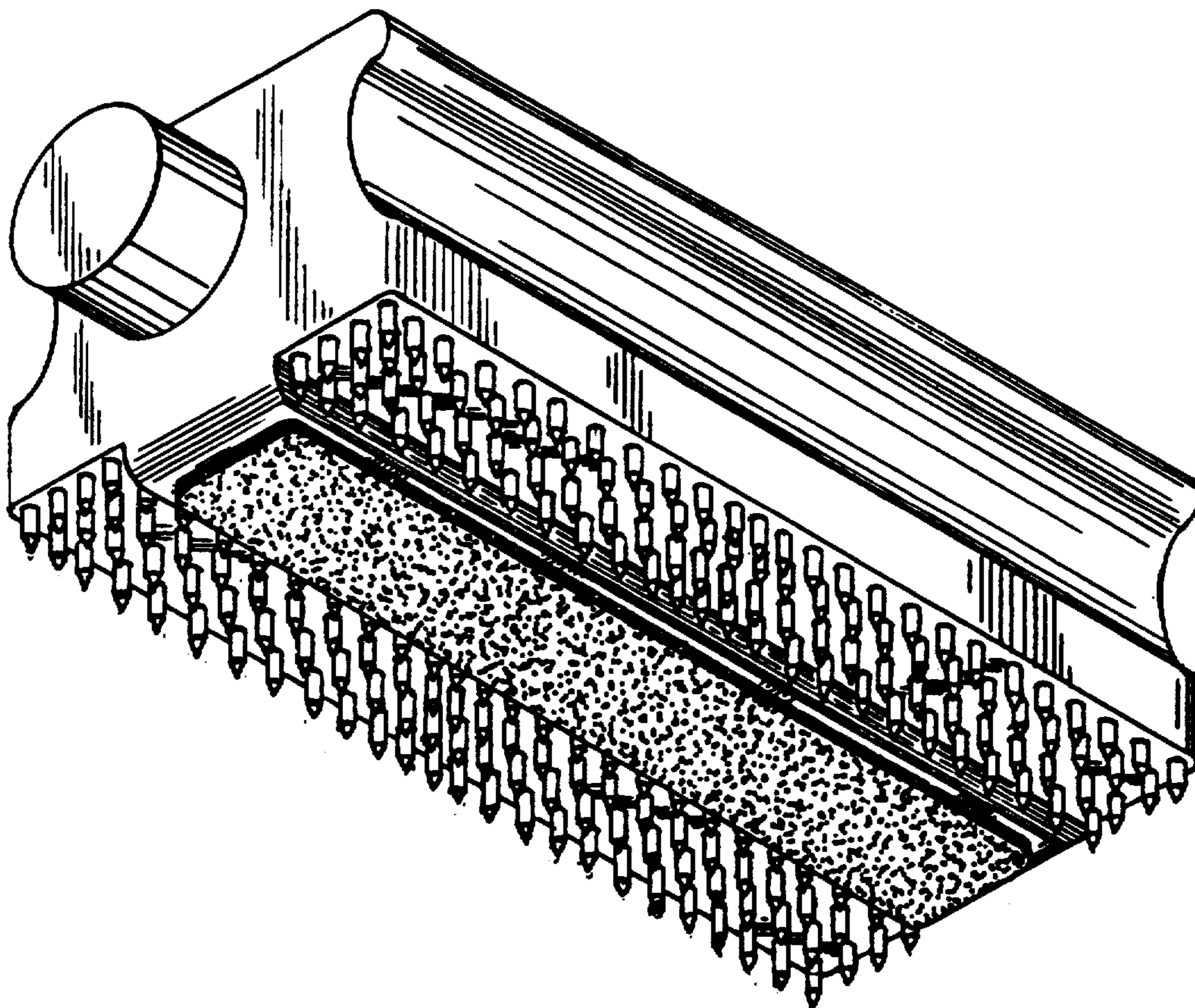
Primary Examiner—Stella Reid
Assistant Examiner—I. Simmons
Attorney, Agent, or Firm—Johnson & Gibbs

[57] CLAIM

The ornamental design for an animal medication applicator brush, as shown and described.

DESCRIPTION

FIG. 1 is a perspective view of an animal medication applicator brush, showing my new design; FIG. 2 is a front elevational view thereof, the rear elevational view being a mirror image thereto; FIG. 3 is a right end elevational view thereof; FIG. 4 is a left end elevational view thereof; FIG. 5 is a top plan view thereof; and, FIG. 6 is a bottom plan view.



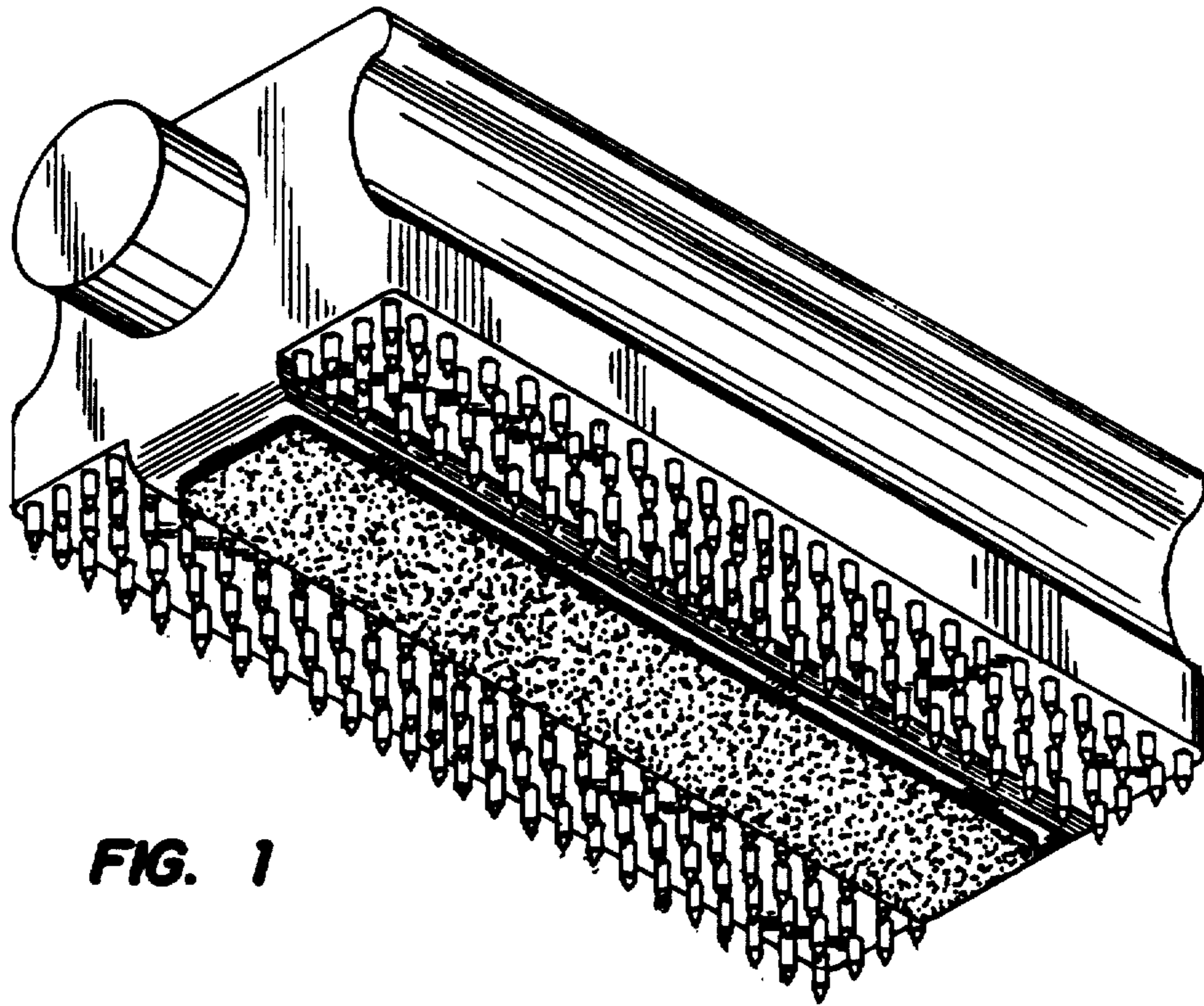


FIG. 1

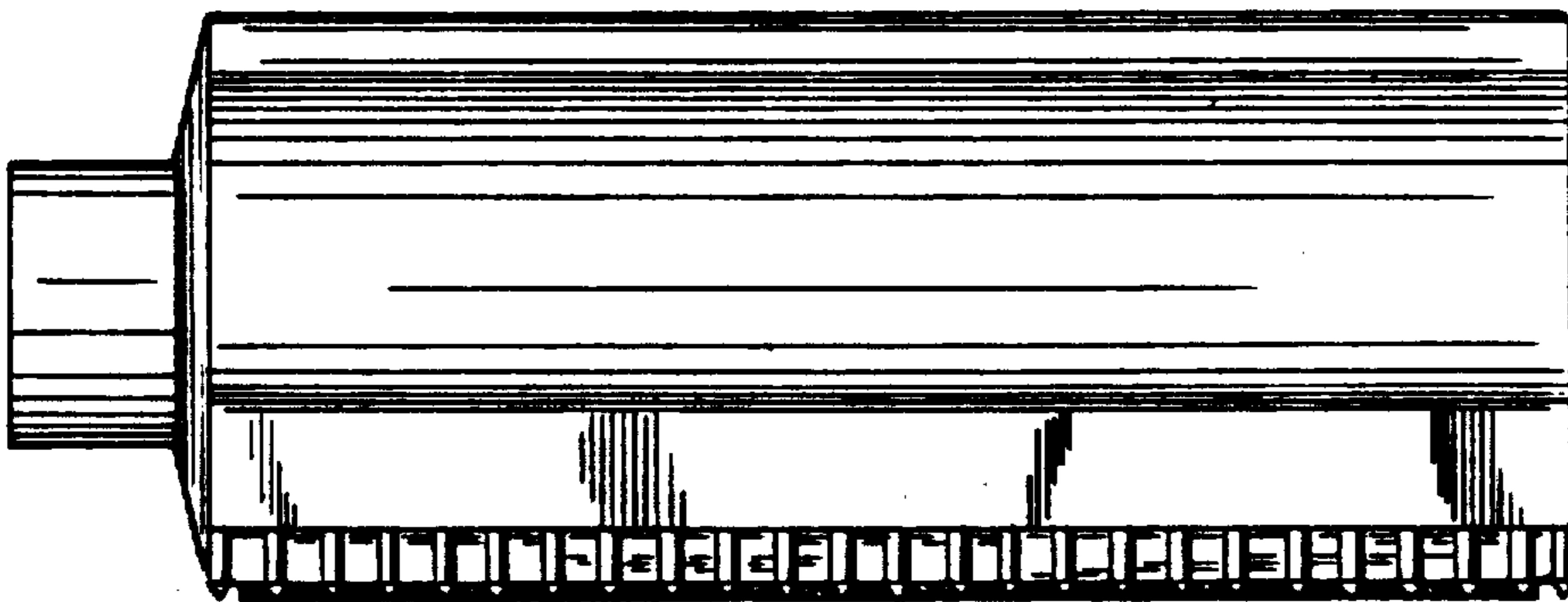


FIG. 2

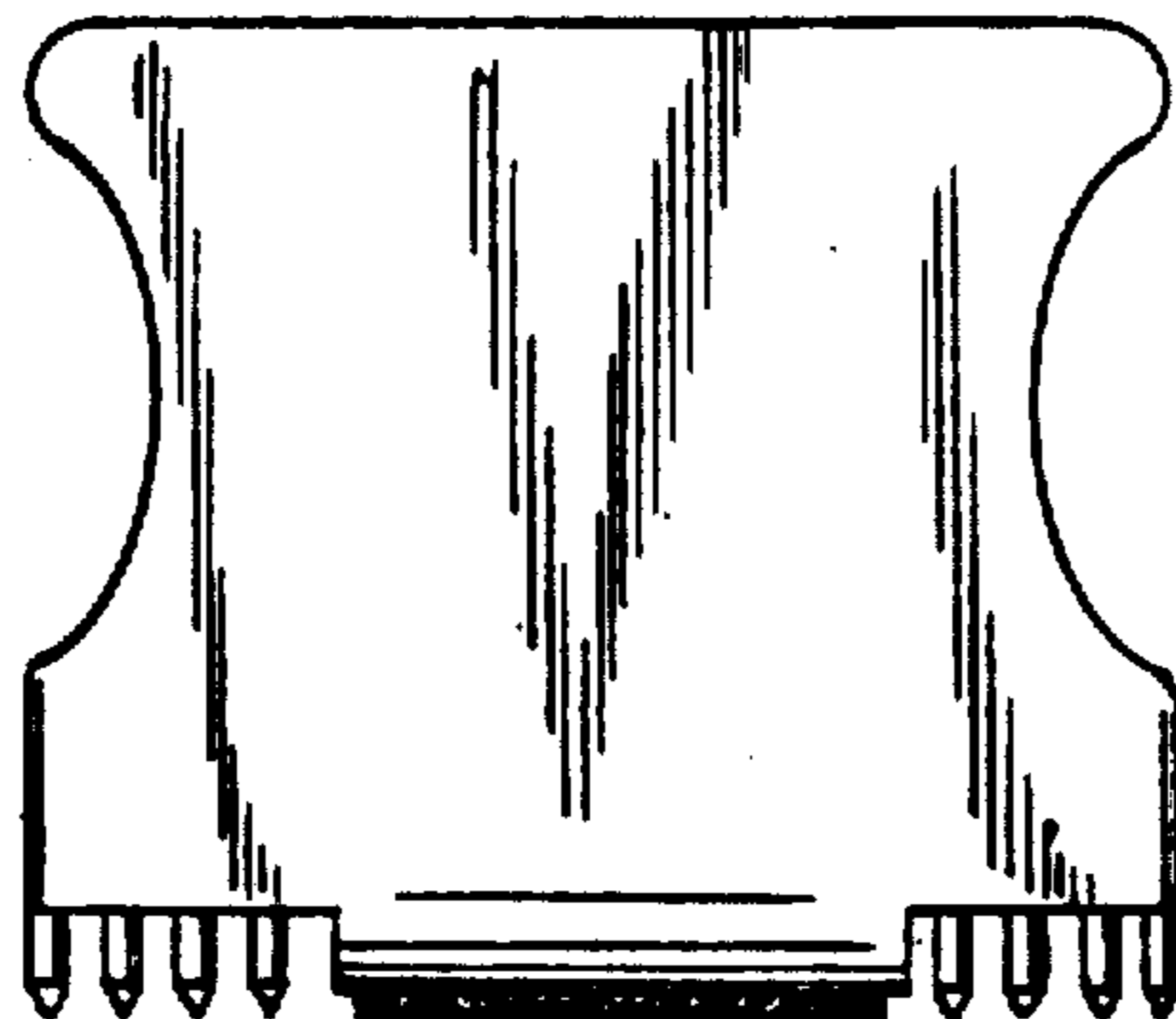


FIG. 3

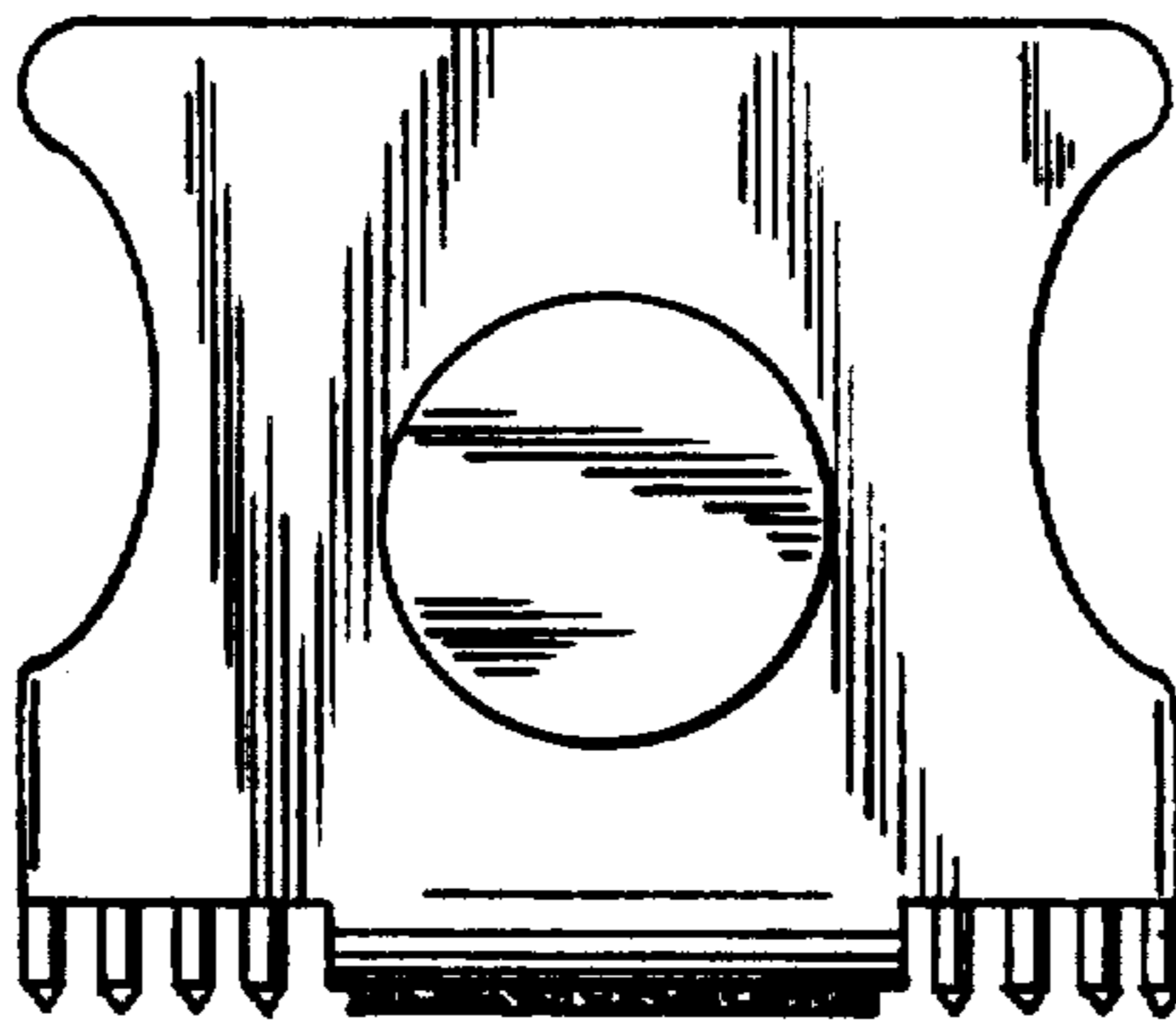


FIG. 4

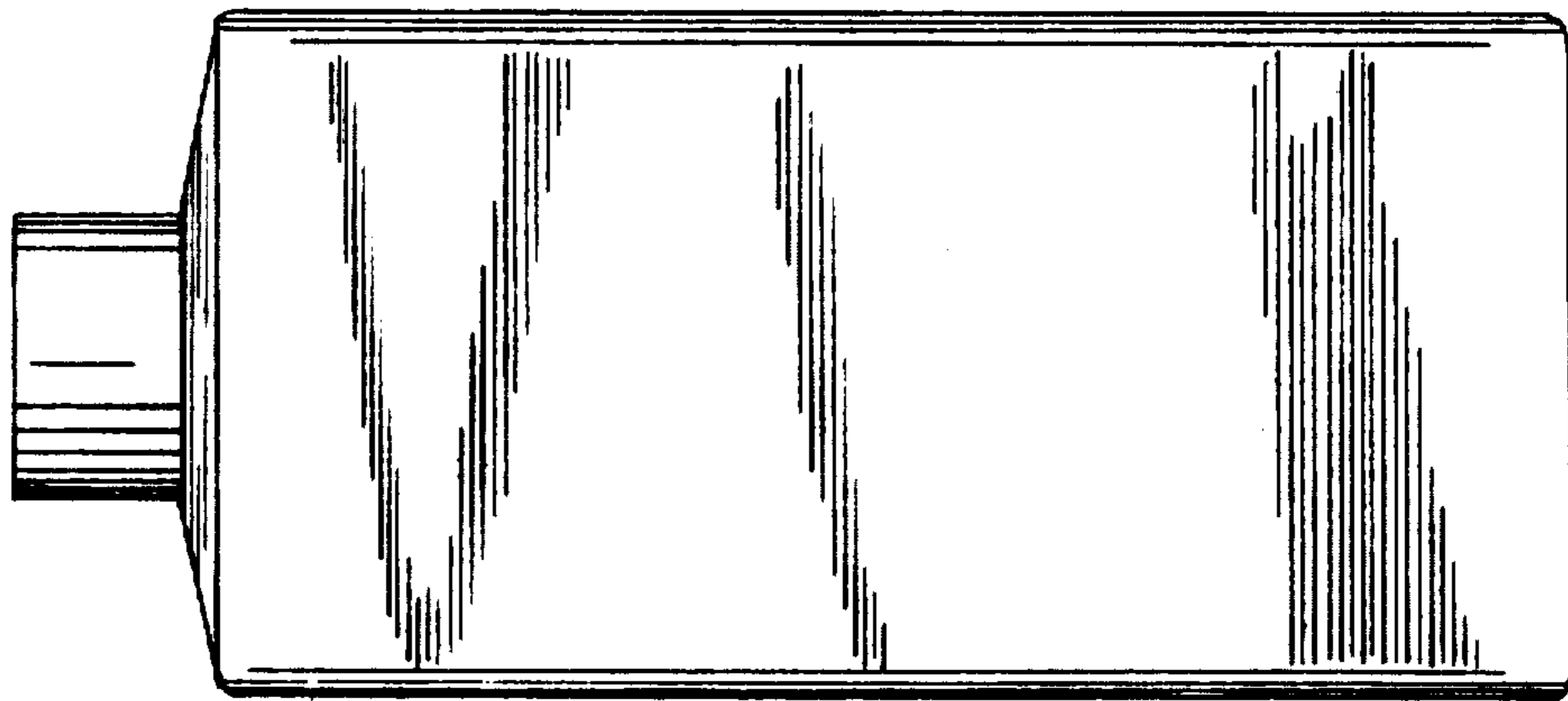


FIG. 5

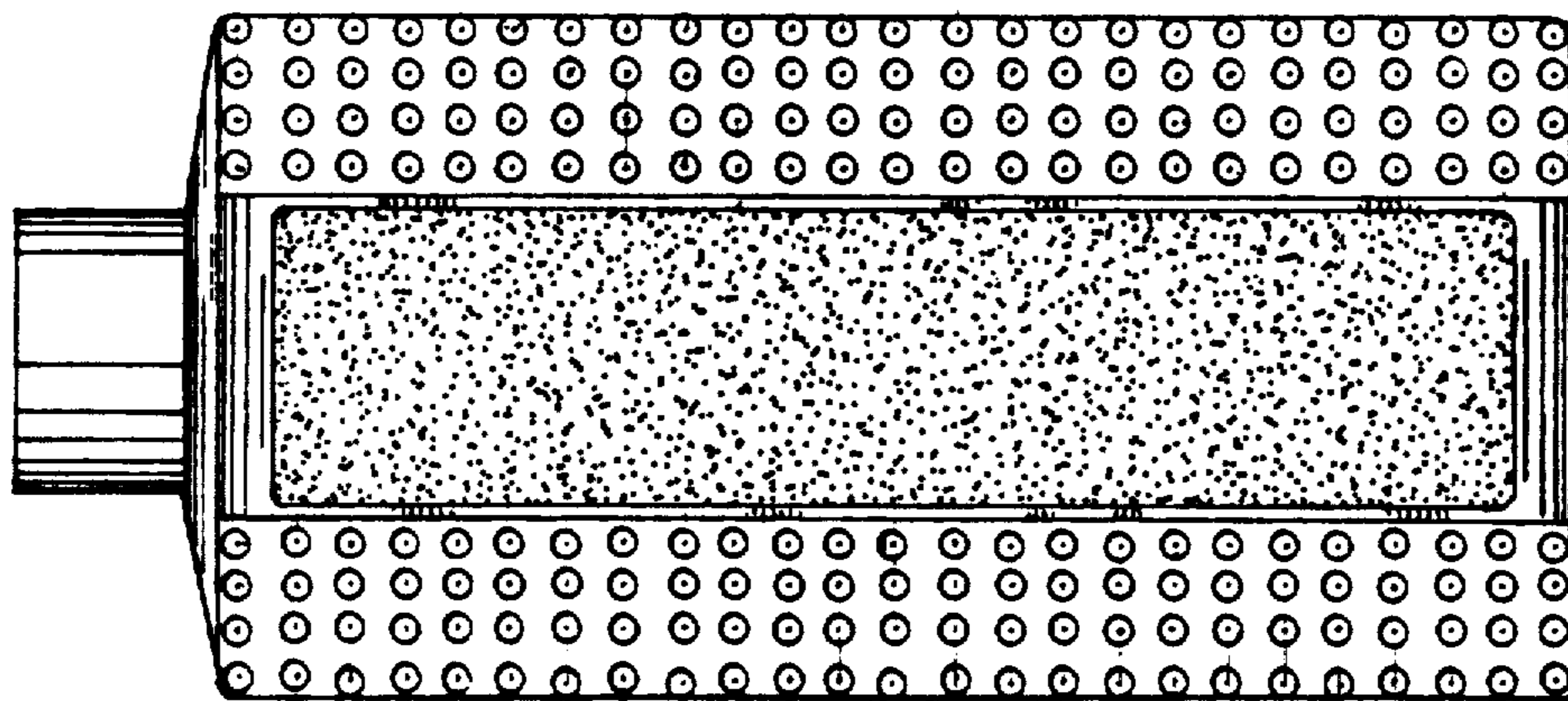


FIG. 6