



US00D330246S

United States Patent [19]

[11] Patent Number: **Des. 330,246**

Yanniell et al.

[45] Date of Patent: **** Oct. 13, 1992**

[54] **SPRINKLER HEAD**

[75] Inventors: **John A. Yanniell, Horseshoe Bay;
Milton C. Merka, Marble Falls, both
of Tex.**

[73] Assignee: **Wood Apple Inc., Mill Valley, Calif.**

[**] Term: **14 Years**

[21] Appl. No.: **657,547**

[22] Filed: **Feb. 19, 1991**

[52] U.S. Cl. **D23/215**

[58] Field of Search **D23/213-222;
239/200-206, 211, 222.11-223, 230-233, 273,
275-276, 288, 288.5, 288.3, 390-392, 443-444,
456, 468, 505, 518-524, 556-558, DIG. 1;
D21/155, 185; D11/48, 49**

[56] **References Cited**

U.S. PATENT DOCUMENTS

D. 226,614 4/1973 Stauffer D21/185 X

D. 260,279 8/1981 Geller et al. D23/215
D. 268,426 3/1983 May D21/185 X
D. 276,246 11/1984 Von Lienen D21/185 X
D. 314,227 1/1991 Christ D23/215
2,241,092 5/1941 Jurgilanis 239/211

Primary Examiner—Susan J. Lucas
Assistant Examiner—M. H. Tung
Attorney, Agent, or Firm—Poms, Smith, Lande & Rose

[57] **CLAIM**

The ornamental design for a sprinkler head, as shown and described.

DESCRIPTION

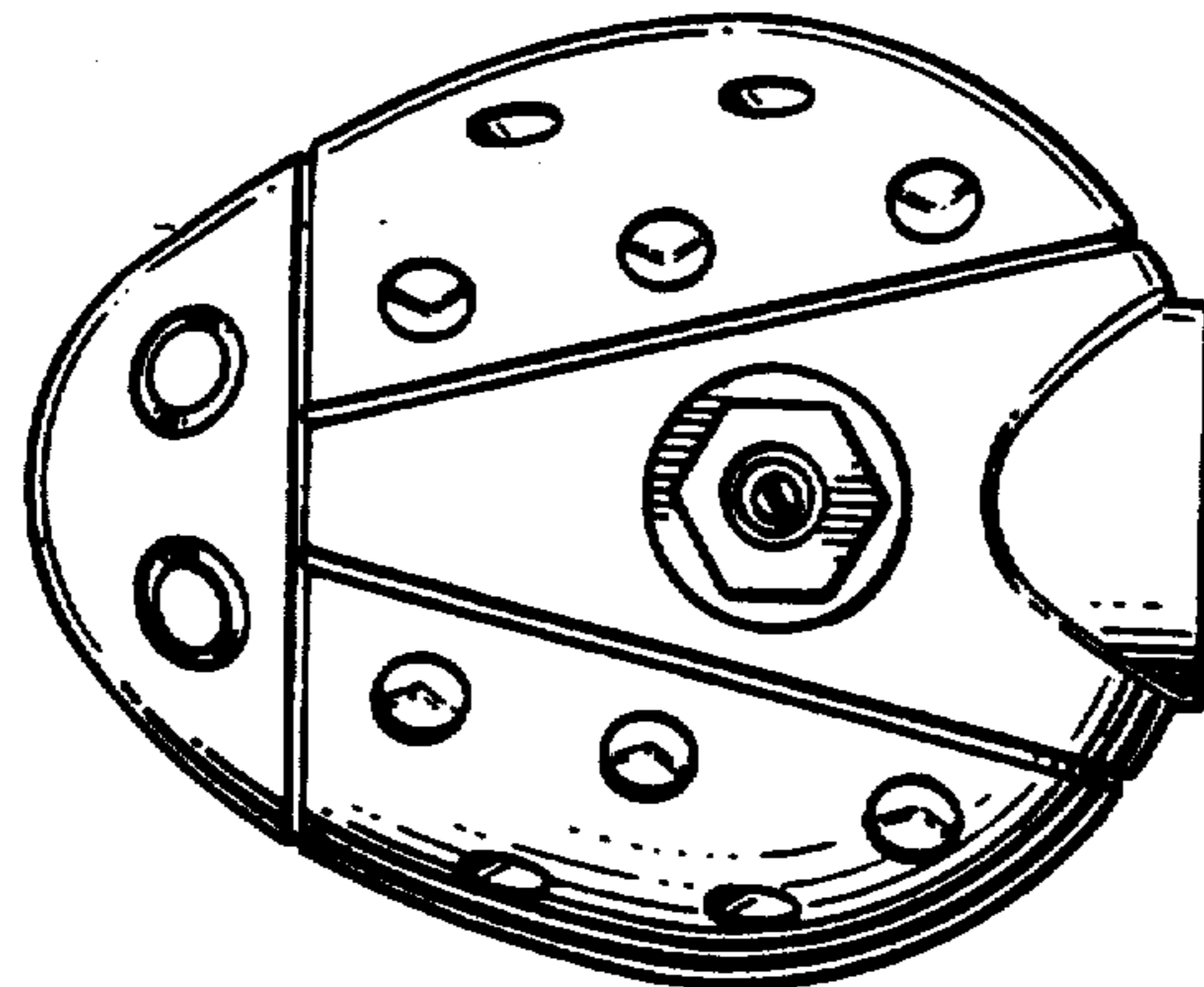
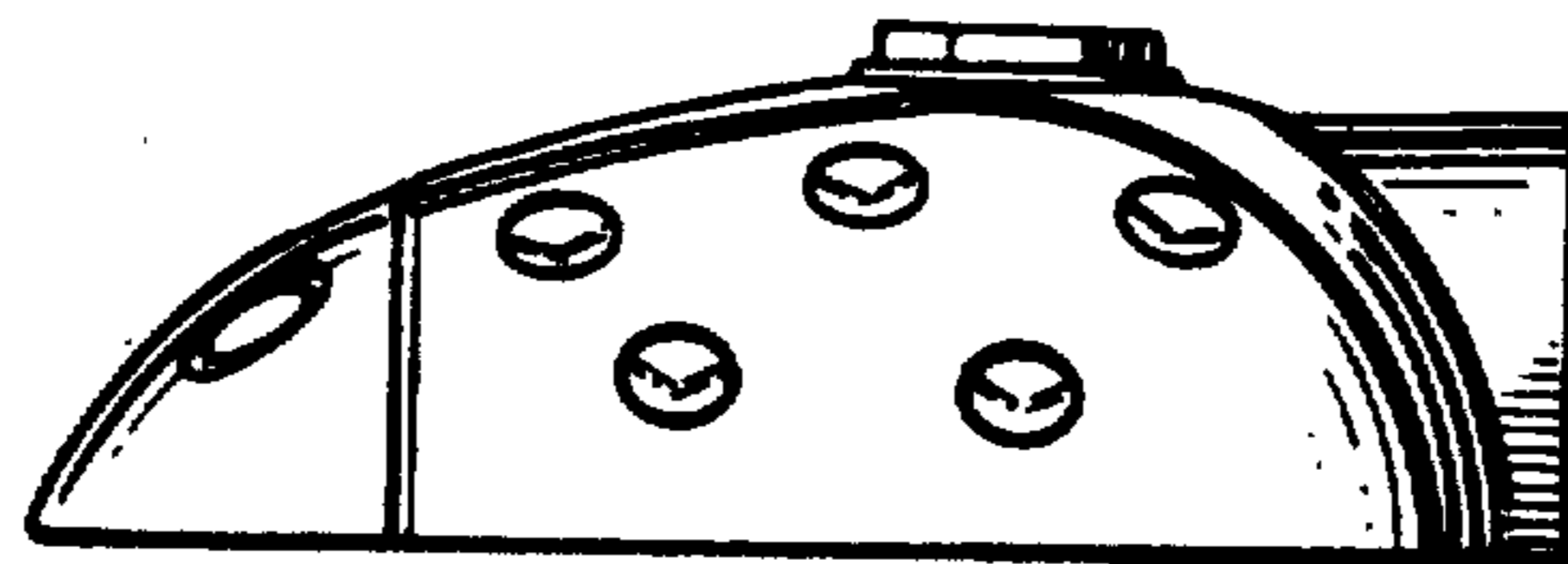
FIG. 1 is a side elevational view of a sprinkler head showing our new design, the opposite side being a mirror image;

FIG. 2 is a top plan view thereof;

FIG. 3 is a rear elevational view thereof;

FIG. 4 is a front elevational view thereof; and

FIG. 5 is a bottom plan view thereof.



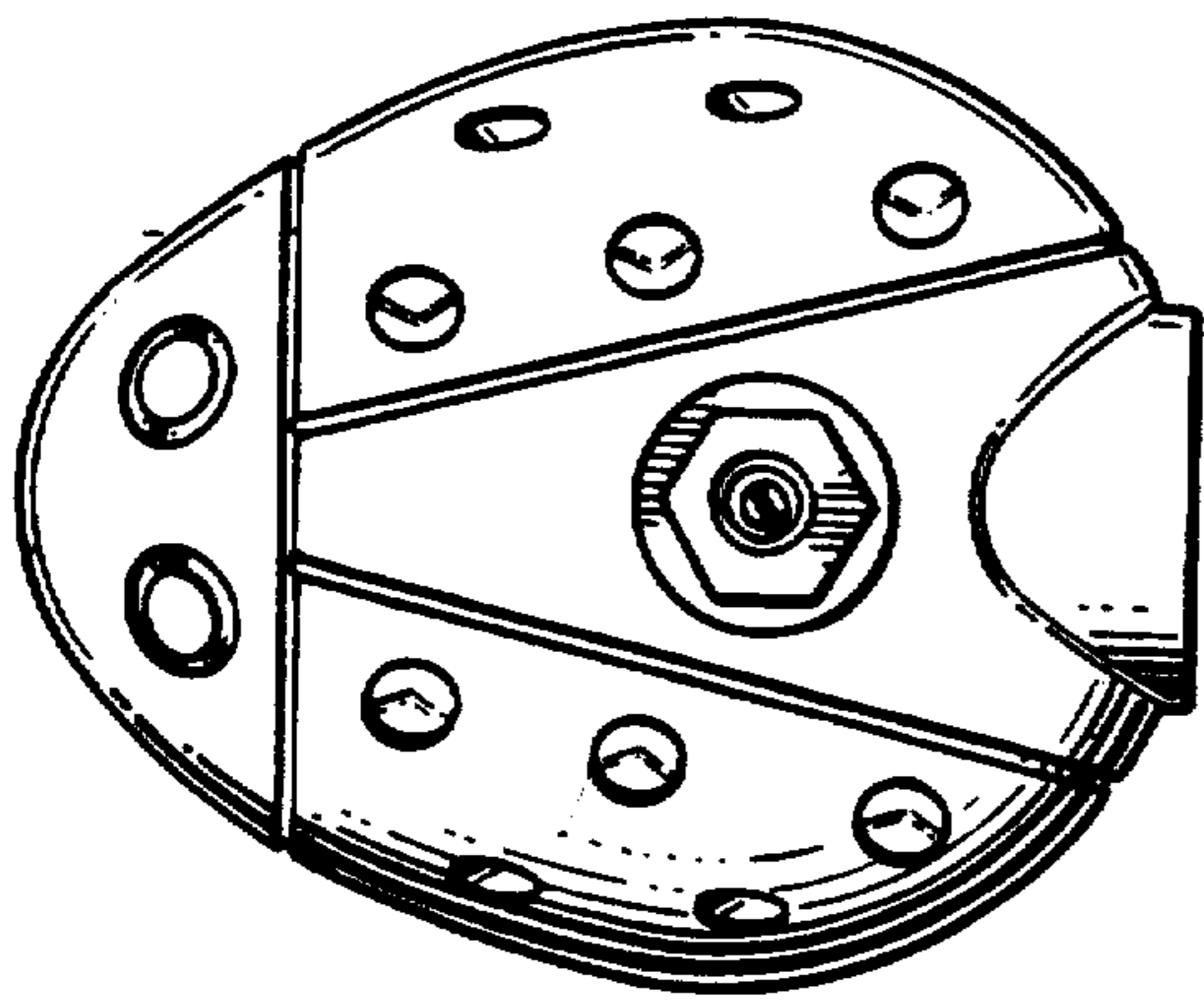


Fig. 2.

Fig. 3.

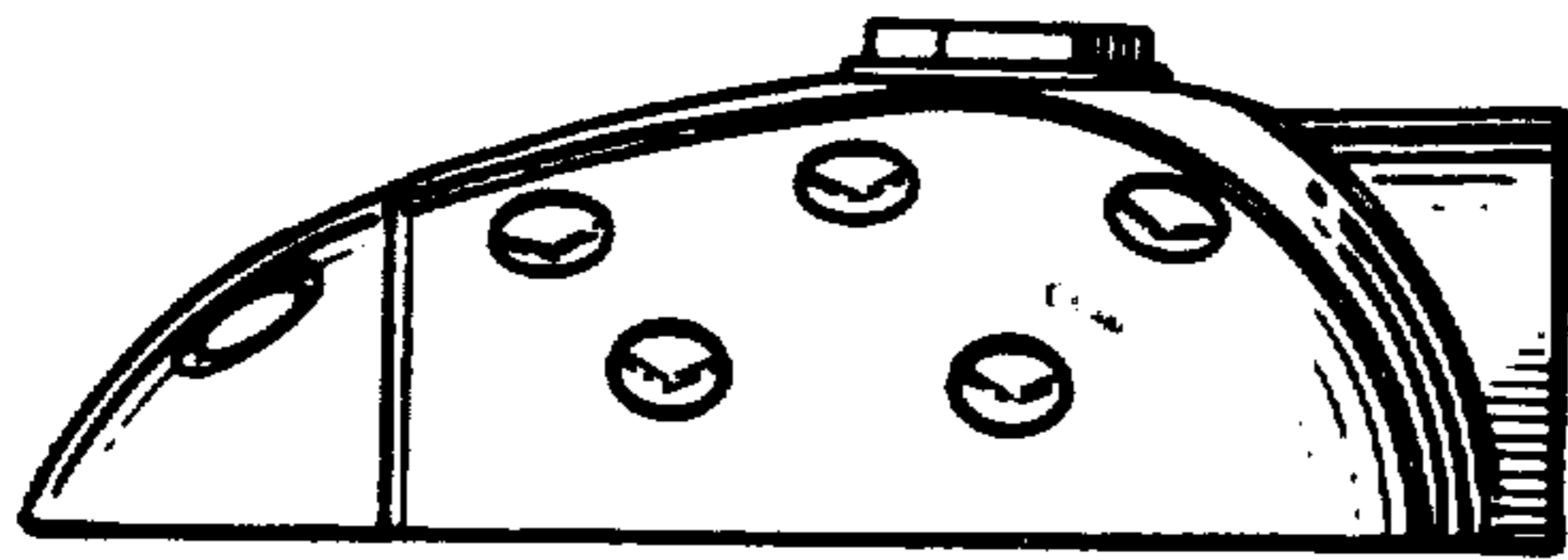
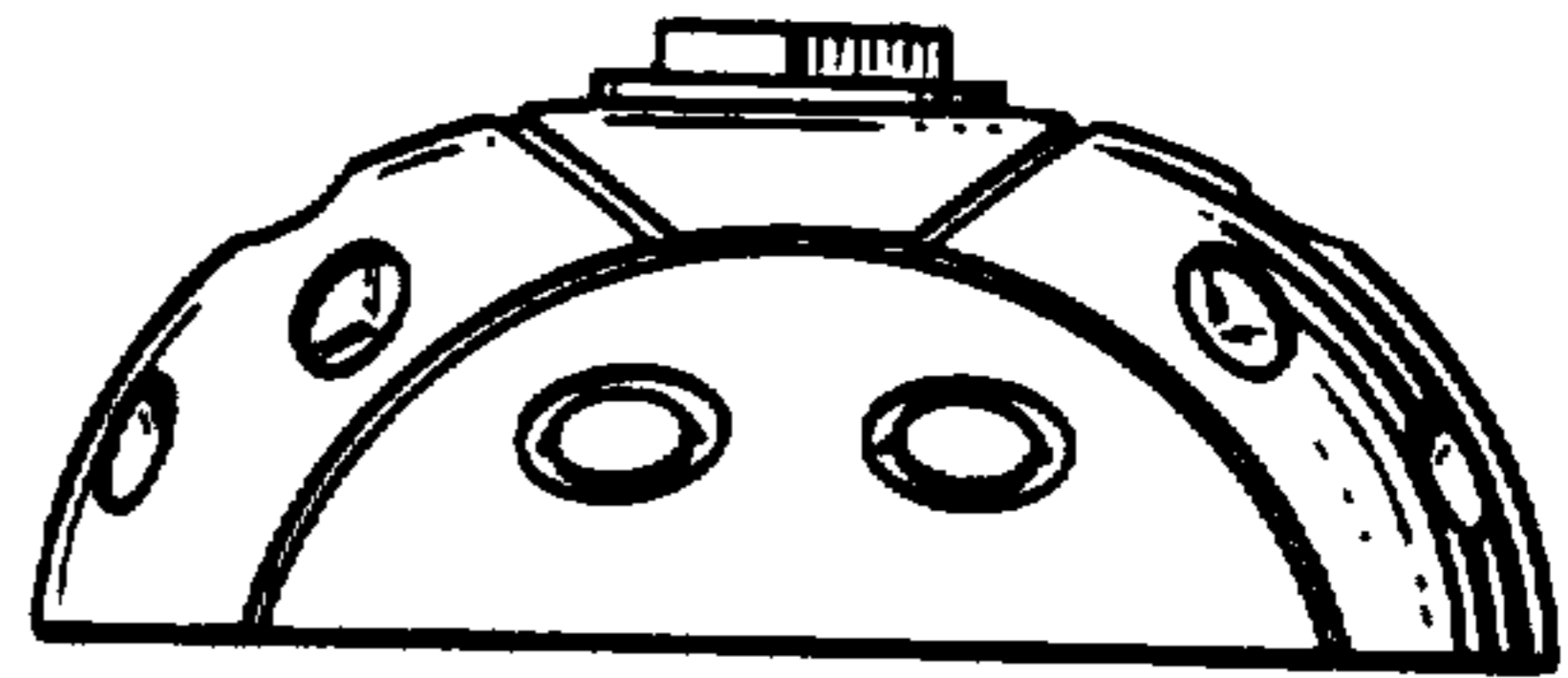


Fig. 1.

Fig. 4.

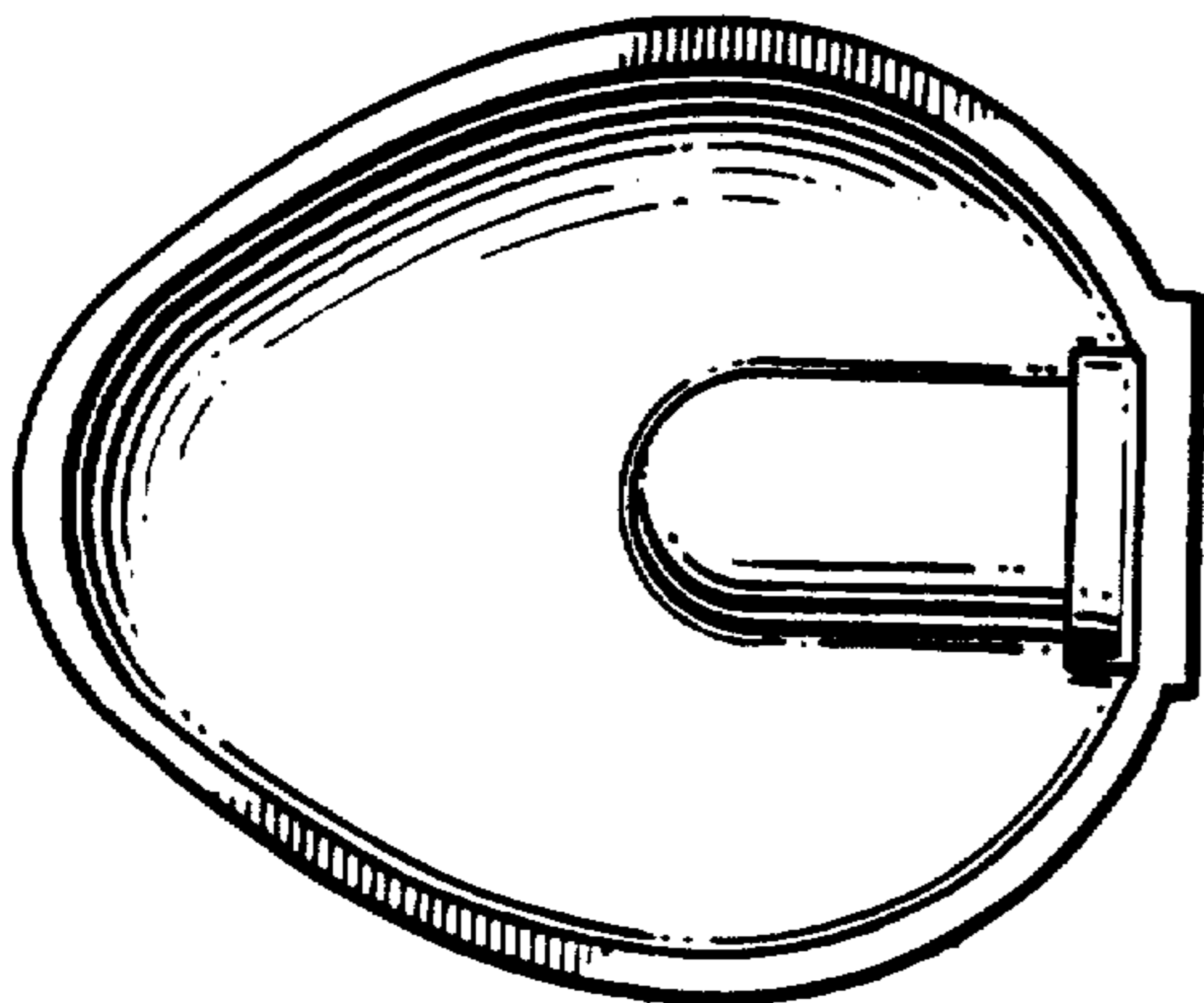
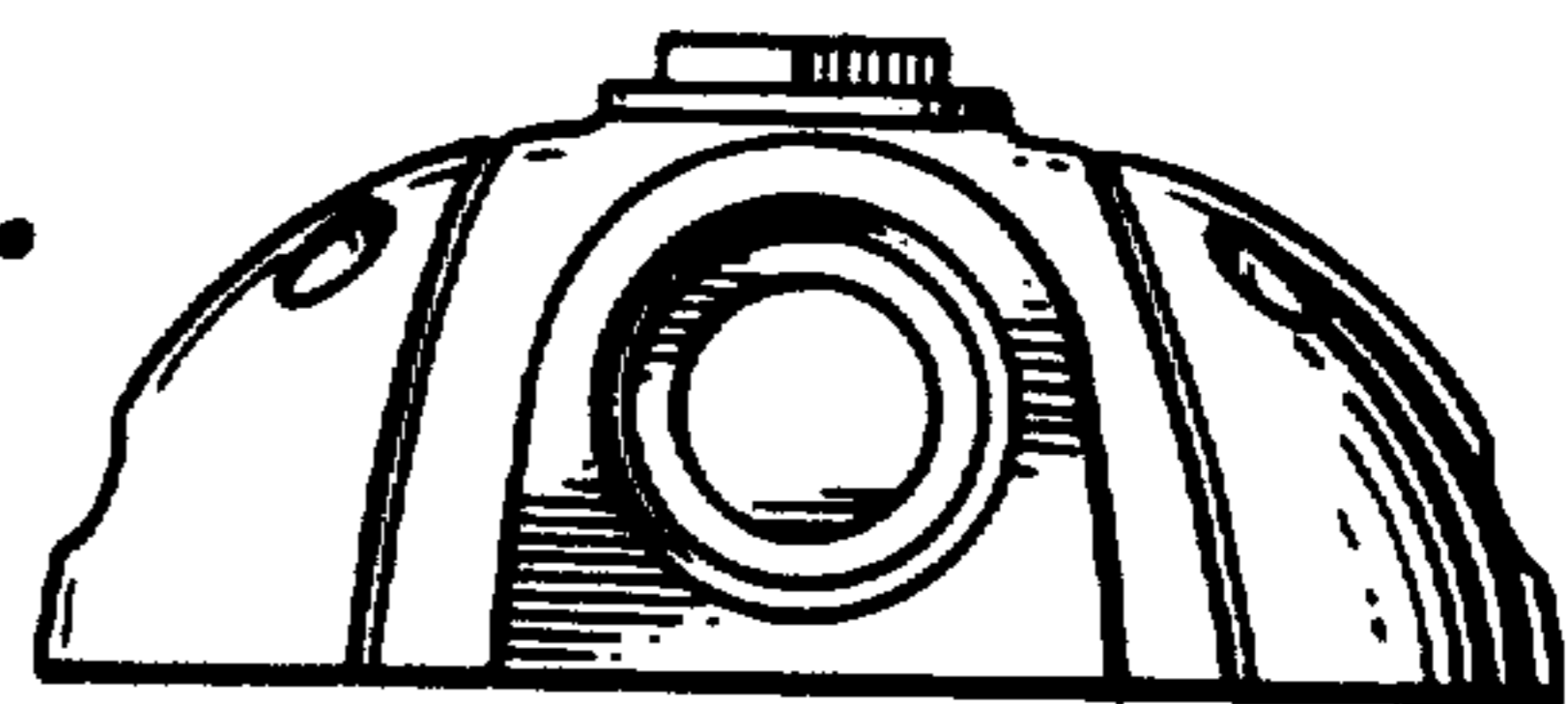


Fig. 5.