



US00D330245S

United States Patent [19]

[11] Patent Number: **Des. 330,245**

Shiozaki

[45] Date of Patent: **** Oct. 13, 1992**

[54] **REEL FOR FISHING**

[75] Inventor: **Akihisa Shiozaki, Musashino, Japan**

[73] Assignee: **Daiwa Seiko, Inc., Tokyo, Japan**

[**] Term: **14 Years**

[21] Appl. No.: **592,901**

[22] Filed: **Oct. 4, 1990**

[30] **Foreign Application Priority Data**

Apr. 16, 1990 [JP] Japan 2-12972

[52] U.S. Cl. **D22/141**

[58] Field of Search **D22/141; 242/230-233, 242/237, 245, 246**

[56] **References Cited**

U.S. PATENT DOCUMENTS

D. 270,933 10/1983 Iinuma et al. D22/141

D. 290,989 7/1987 Ten Eyck et al. D22/141

D. 300,765 4/1989 Iinuma et al. D22/141

D. 321,741 11/1991 Kameda et al. D22/141
D. 324,719 3/1992 Shiozaki et al. D22/141

OTHER PUBLICATIONS

"Quantum", Zebco Corporation; Zebco Quantum MotorGuide, printed Jun., 1987; 3 pp.

Primary Examiner—A. Hugo Word
Assistant Examiner—Doris V. Coles
Attorney, Agent, or Firm—Bacon & Thomas

[57] **CLAIM**

The ornamental design for a reel for fishing, as shown.

DESCRIPTION

FIG. 1 is a top, front and right side perspective view of a reel for fishing showing my new design; FIG. 2 is a front elevational view thereof; FIG. 3 is a top plan view thereof; FIG. 4 is a rear elevational view thereof; FIG. 5 is a bottom plan view thereof; FIG. 6 is a right side elevational view thereof; and, FIG. 7 is a left side elevational view thereof.

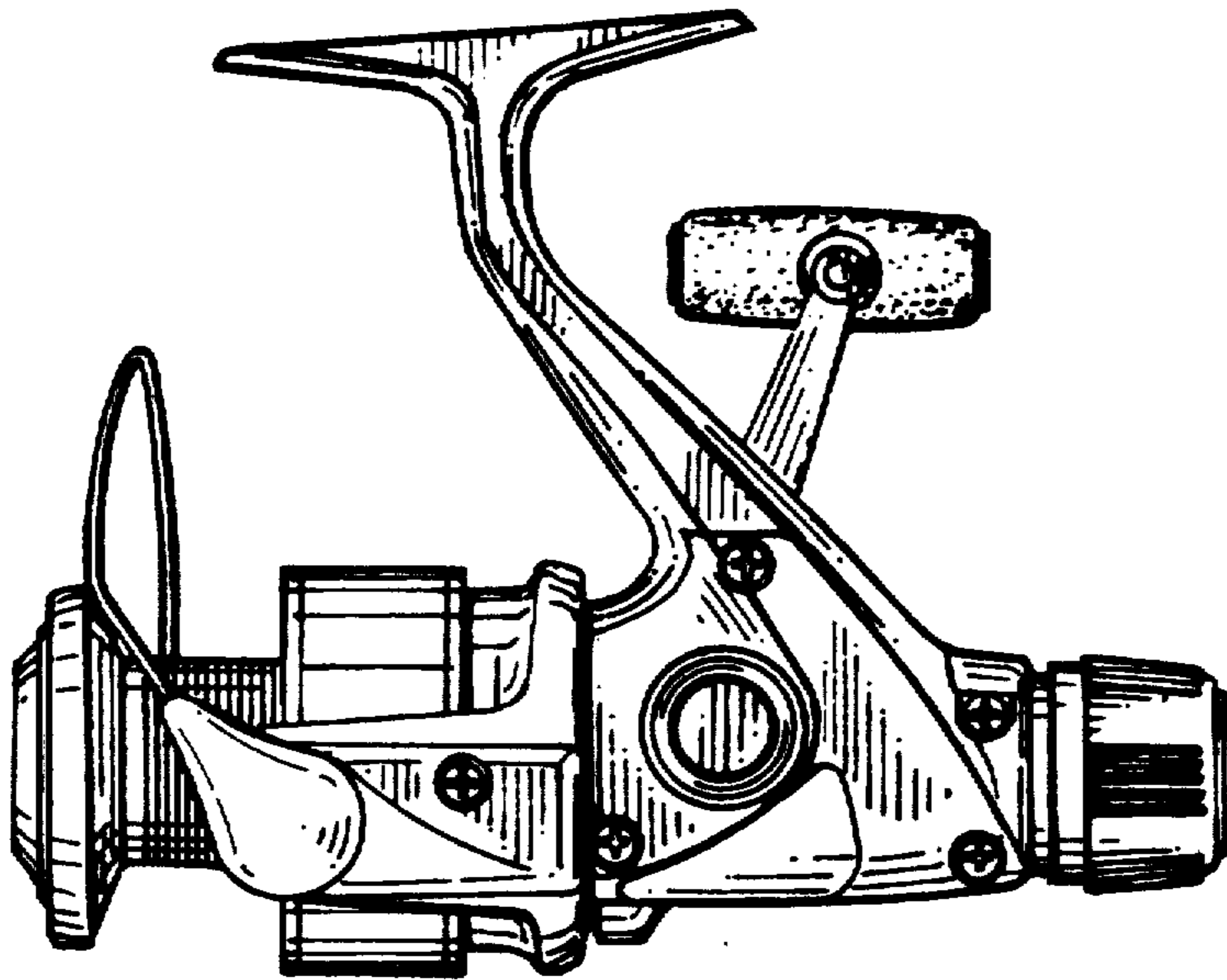


FIG. 1

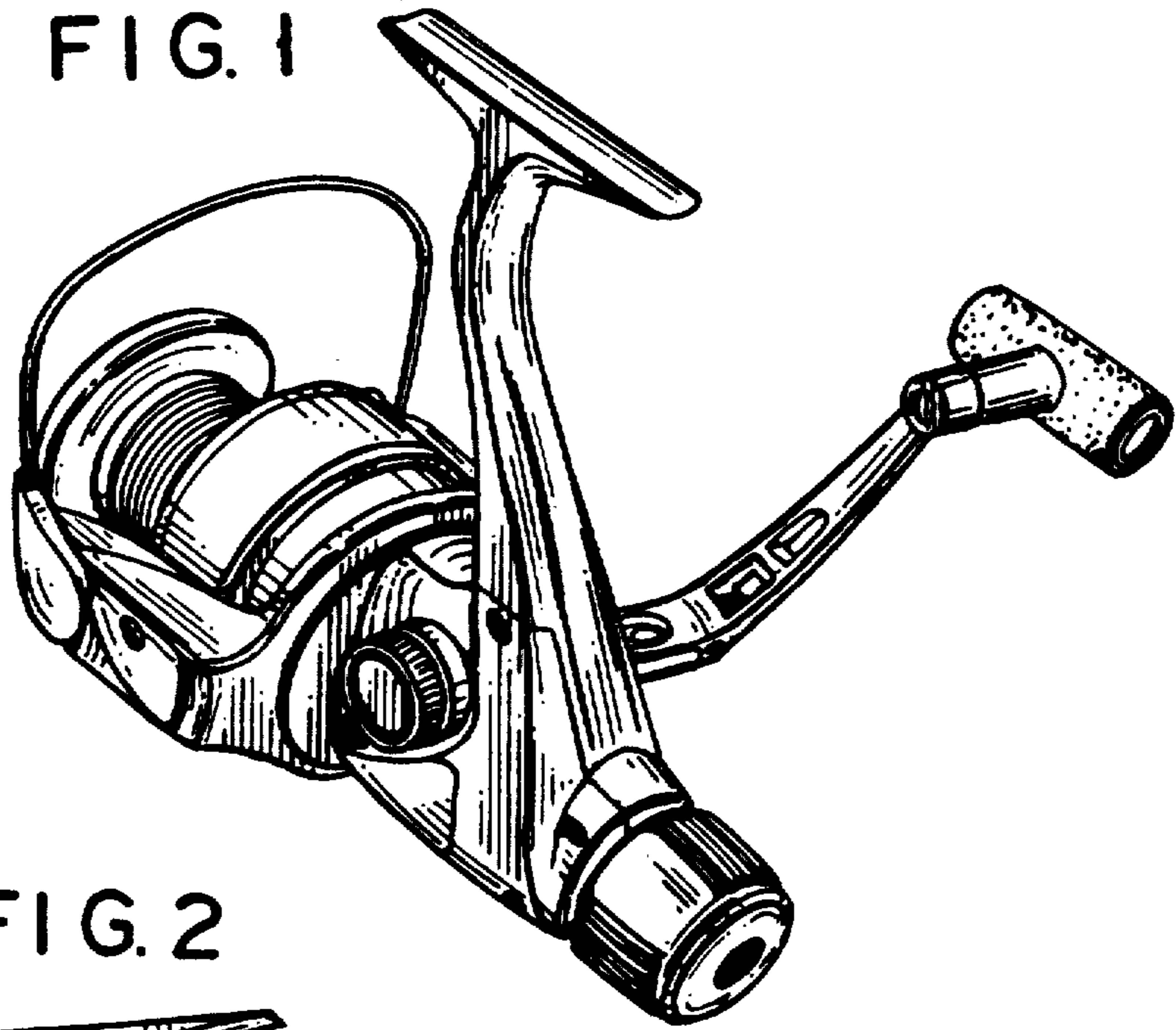


FIG. 2

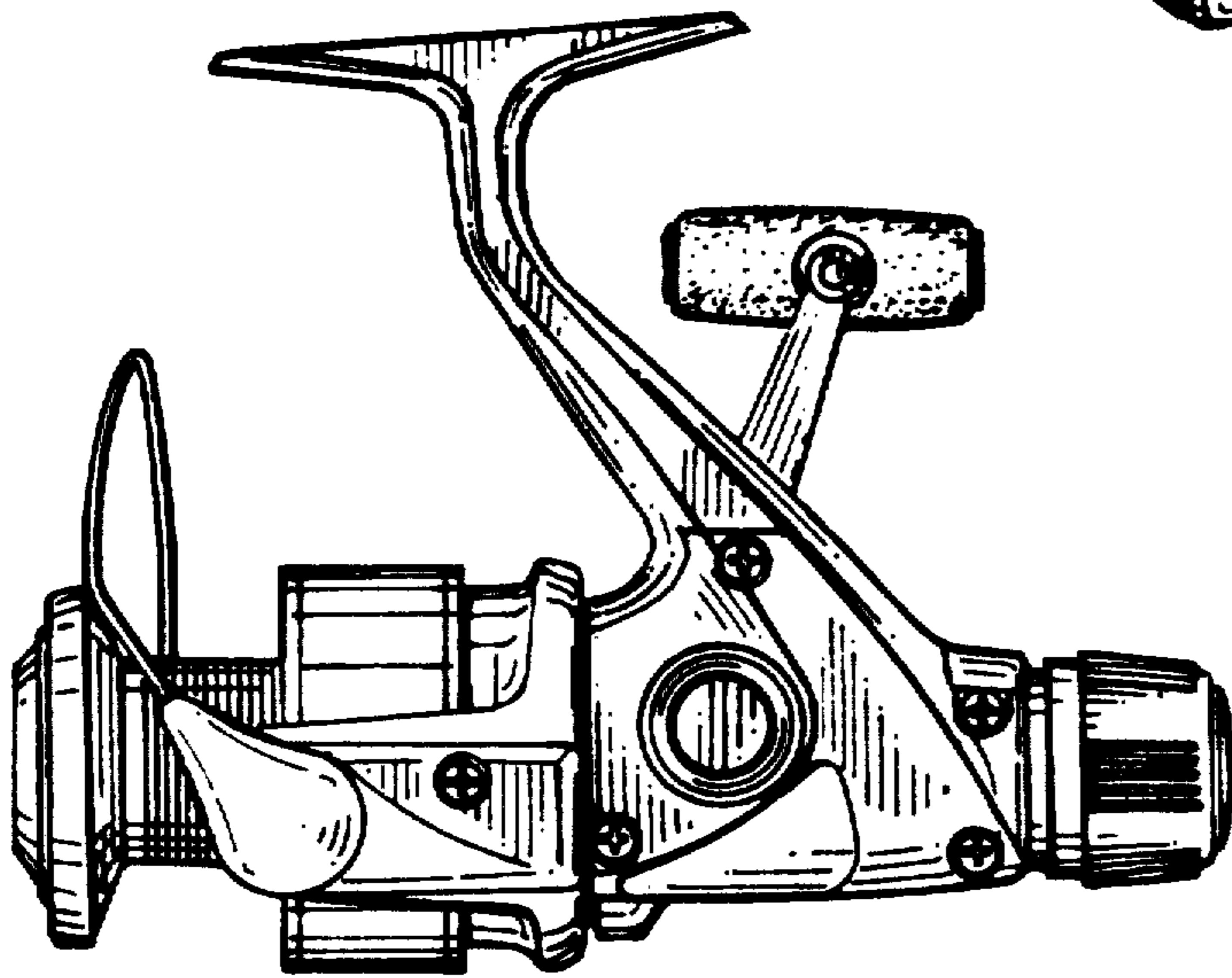


FIG. 3

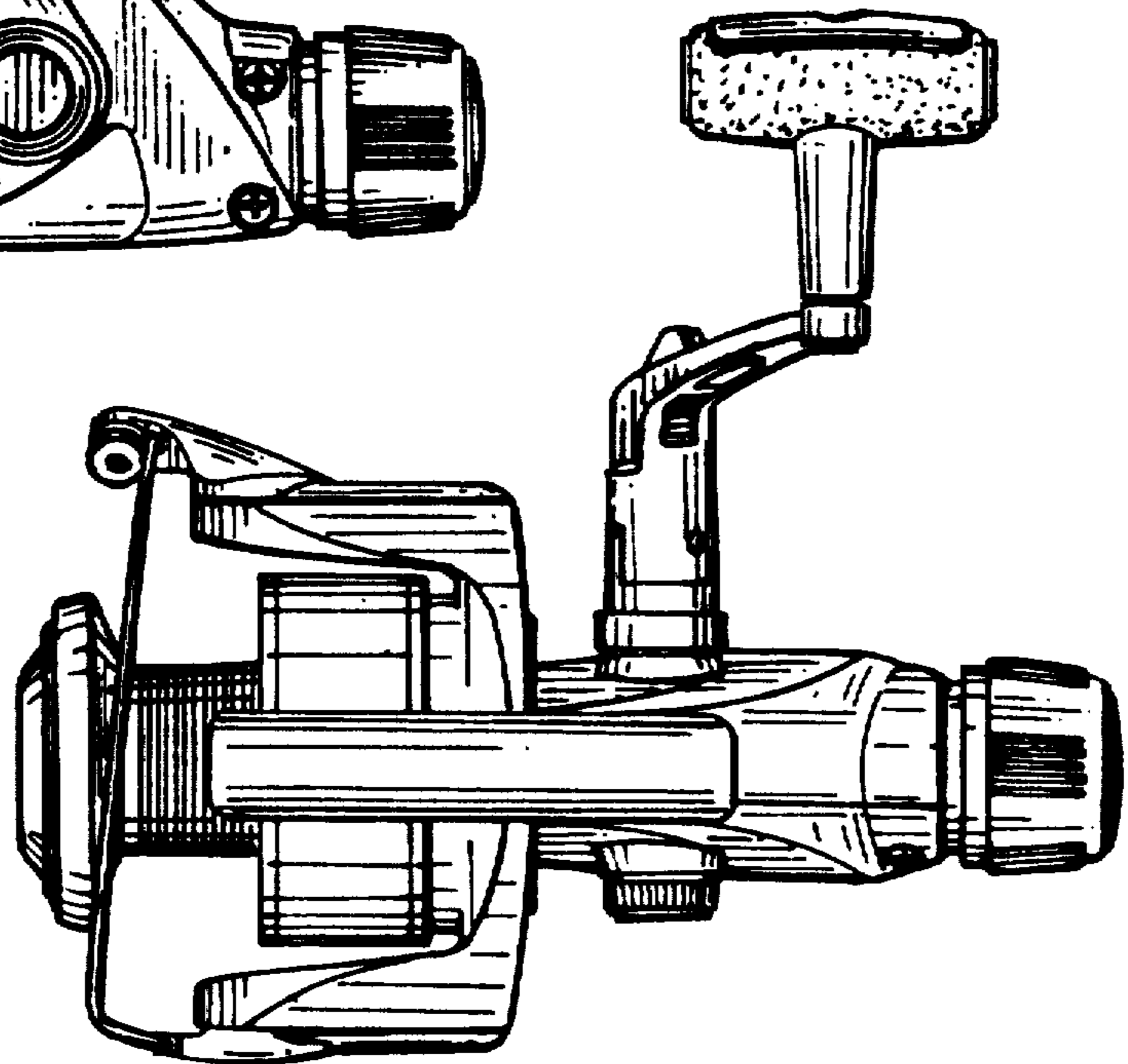


FIG. 4

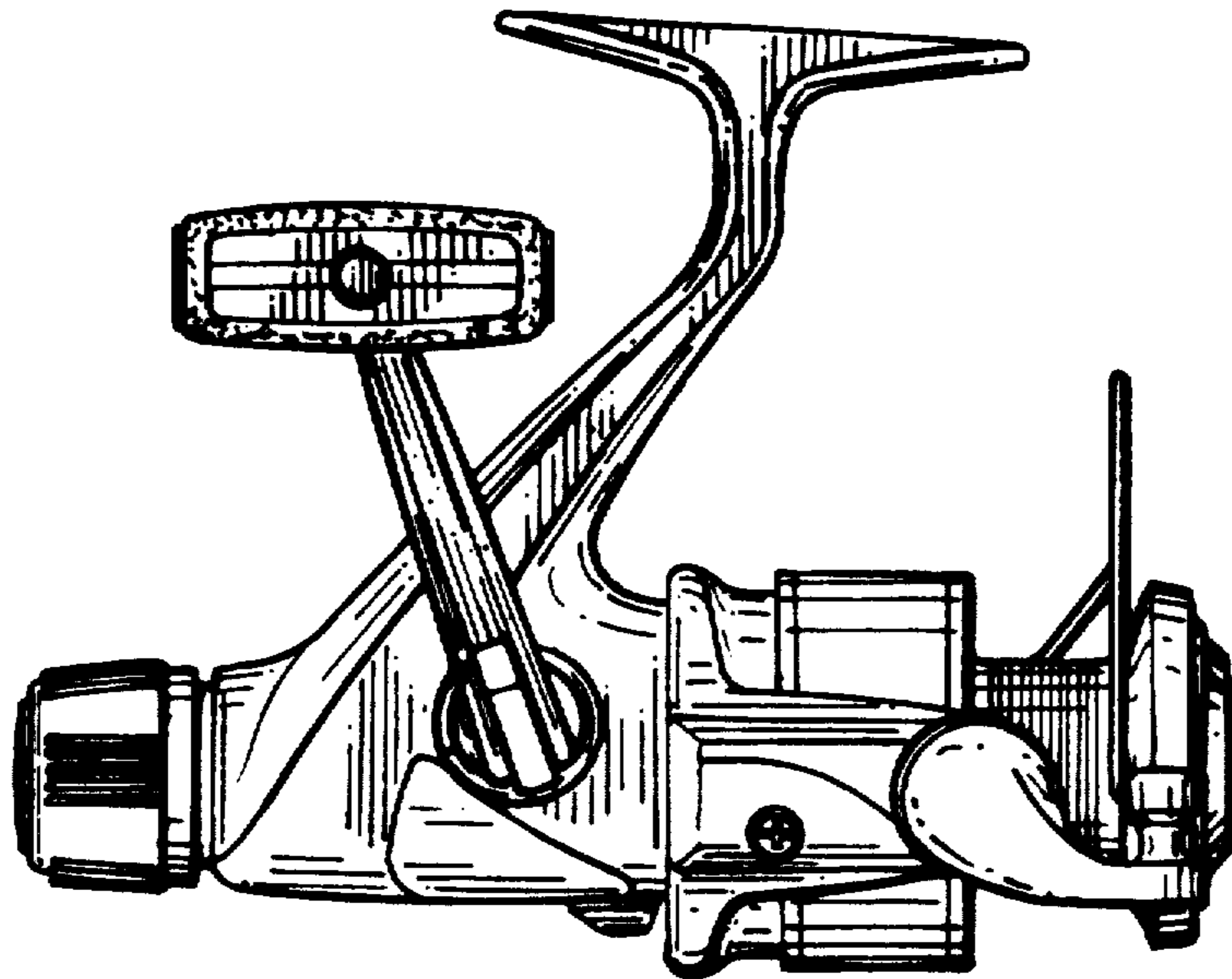


FIG. 5

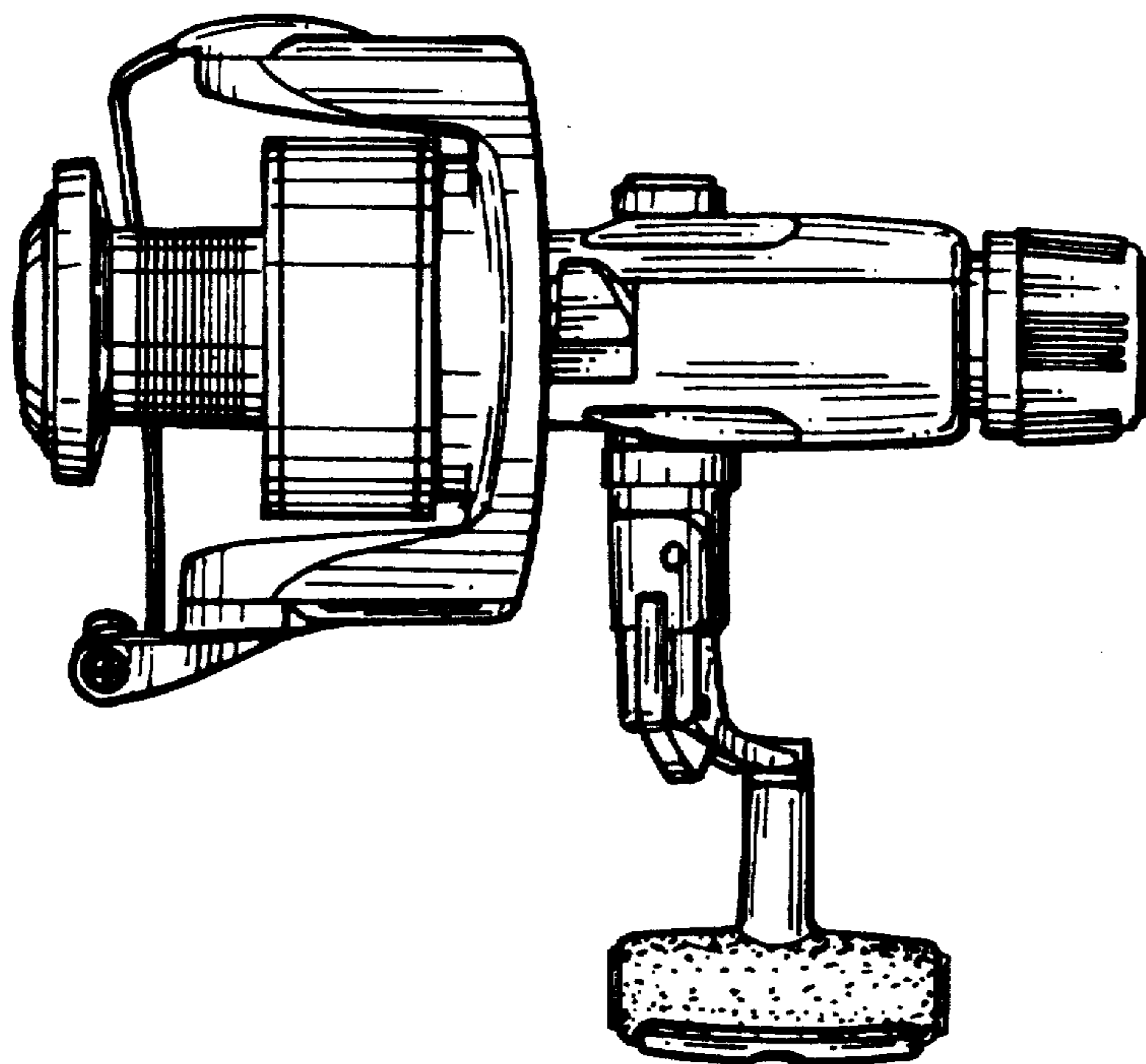


FIG. 6

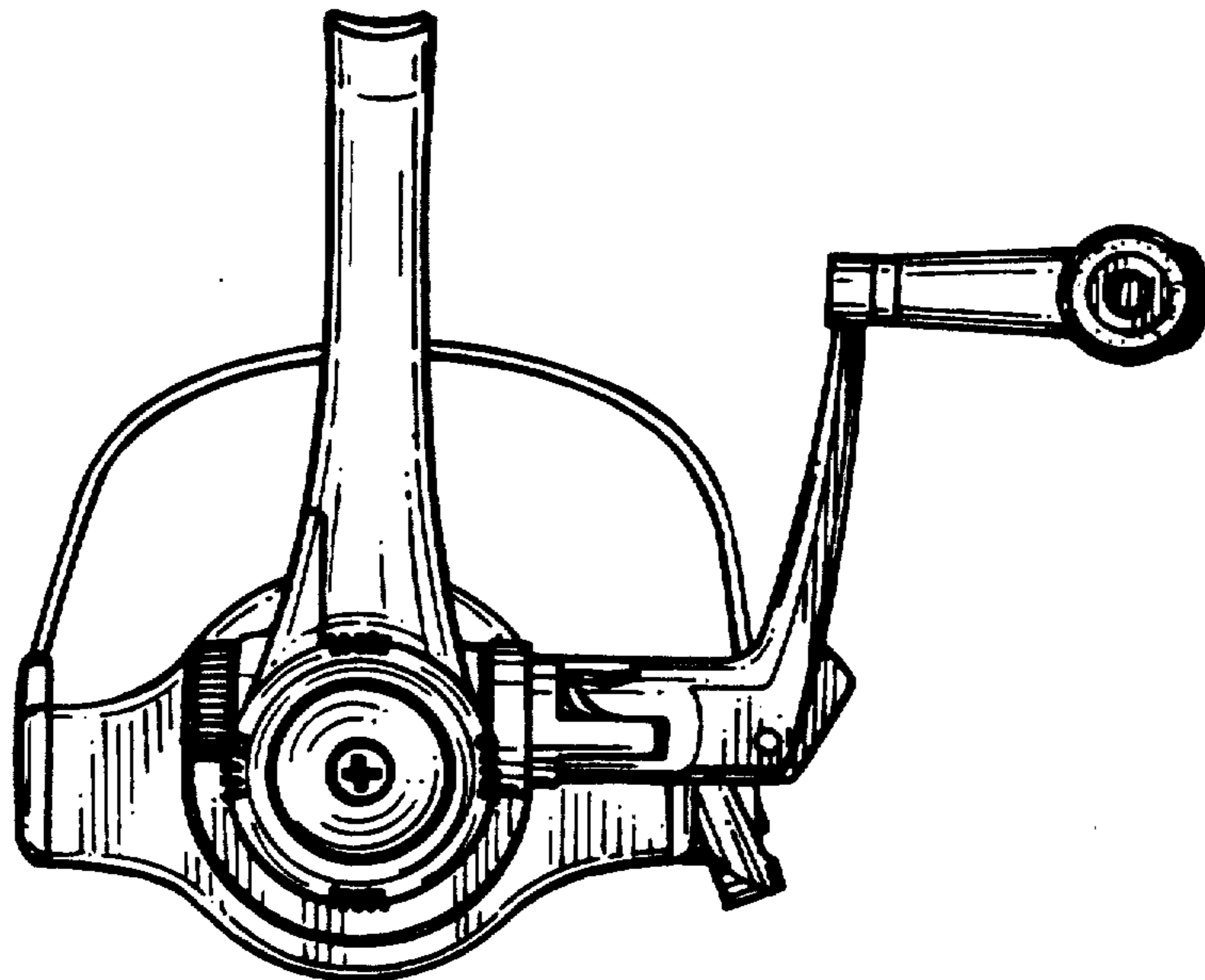


FIG. 7

