



US00D330241S

United States Patent [19]
Antonious

[11] **Patent Number: Des. 330,241**

[45] **Date of Patent: ** Oct. 13, 1992**

[54] **IRON TYPE GOLF CLUB HEAD**

[76] **Inventor: Anthony J. Antonious, 205 E. Joppa Rd., Towson, Md. 21204**

[**] **Term: 14 Years**

[21] **Appl. No.: 495,294**

[22] **Filed: Mar. 13, 1990**

[52] **U.S. Cl. D21/220**

[58] **Field of Search D21/214-220;
273/167-175**

[56] **References Cited**

U.S. PATENT DOCUMENTS

D. 164,597	9/1951	Penna	D21/220
D. 319,089	8/1991	Mendralla	D21/220
D. 320,056	9/1991	Antonious	D21/220
4,826,172	5/1989	Antonious	273/164

Primary Examiner—Melvin B. Feifer
Attorney, Agent, or Firm—Nicholas J. Aquilino

[57] **CLAIM**

The ornamental design for an iron type golf club head, as shown and described.

DESCRIPTION

FIG. 1 is a front elevational view of the iron type golf club head showing my new design;
FIG. 2 is a rear perspective view thereof;
FIG. 3 is a rear elevational view thereof;
FIG. 4 is a bottom plan view;
FIG. 5 is an end elevational view thereof;
FIG. 6 is a sectional view taken along the lines 6—6 of FIG. 3;
FIG. 7 is an end elevational view taken from the opposite end of FIG. 5; and,
FIG. 8 is a top plan view thereof.

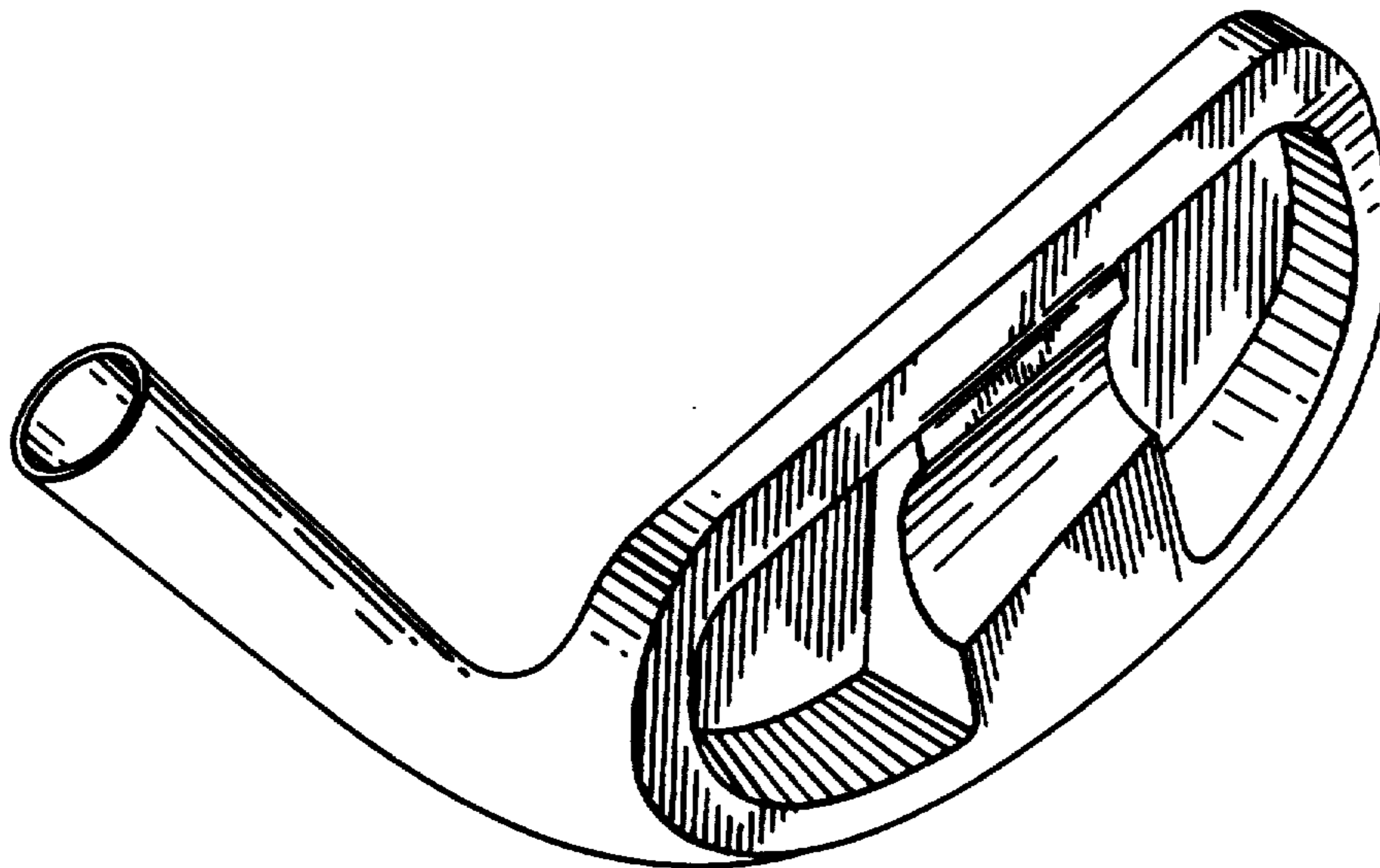


FIG. 1

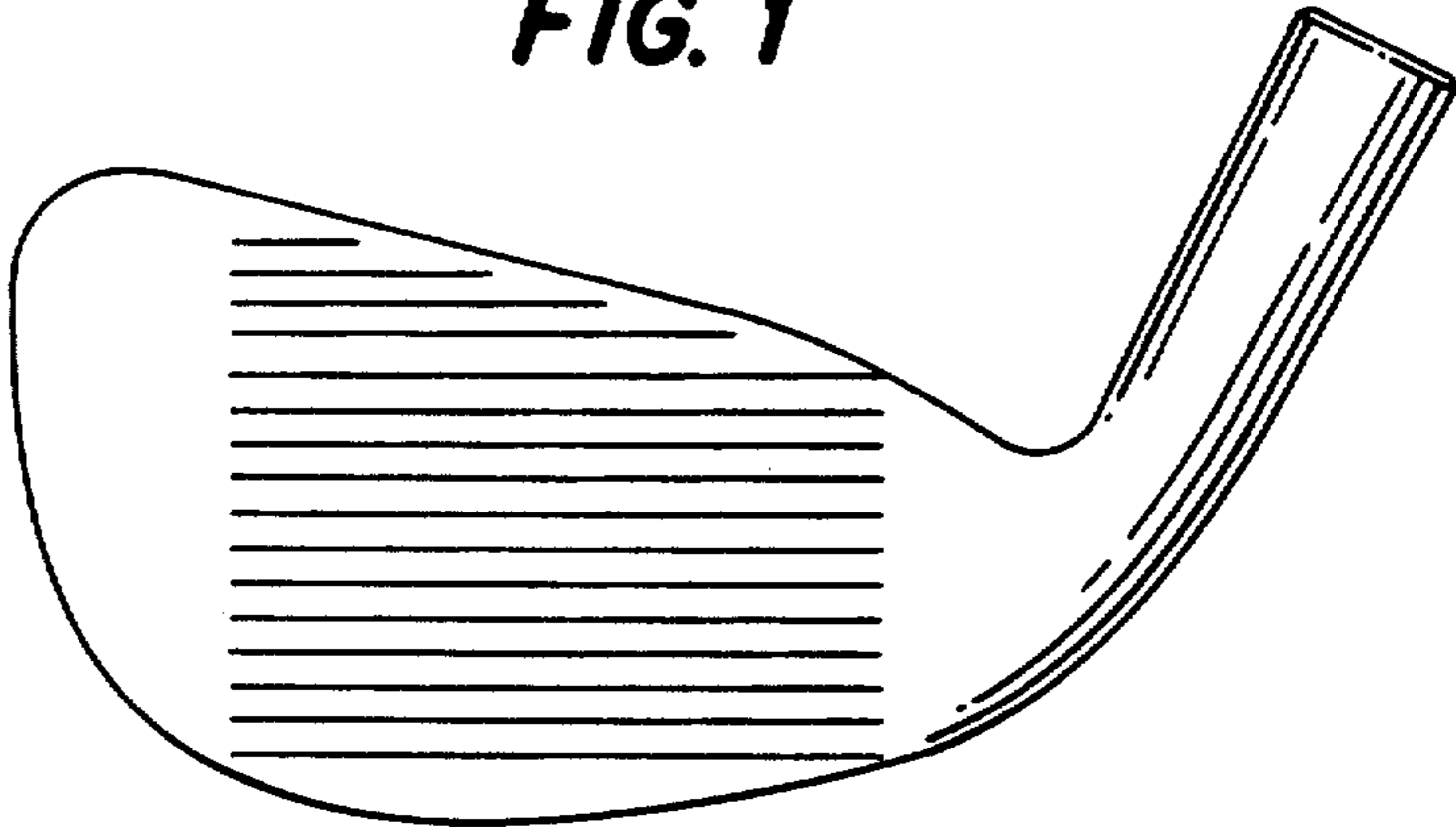


FIG. 2

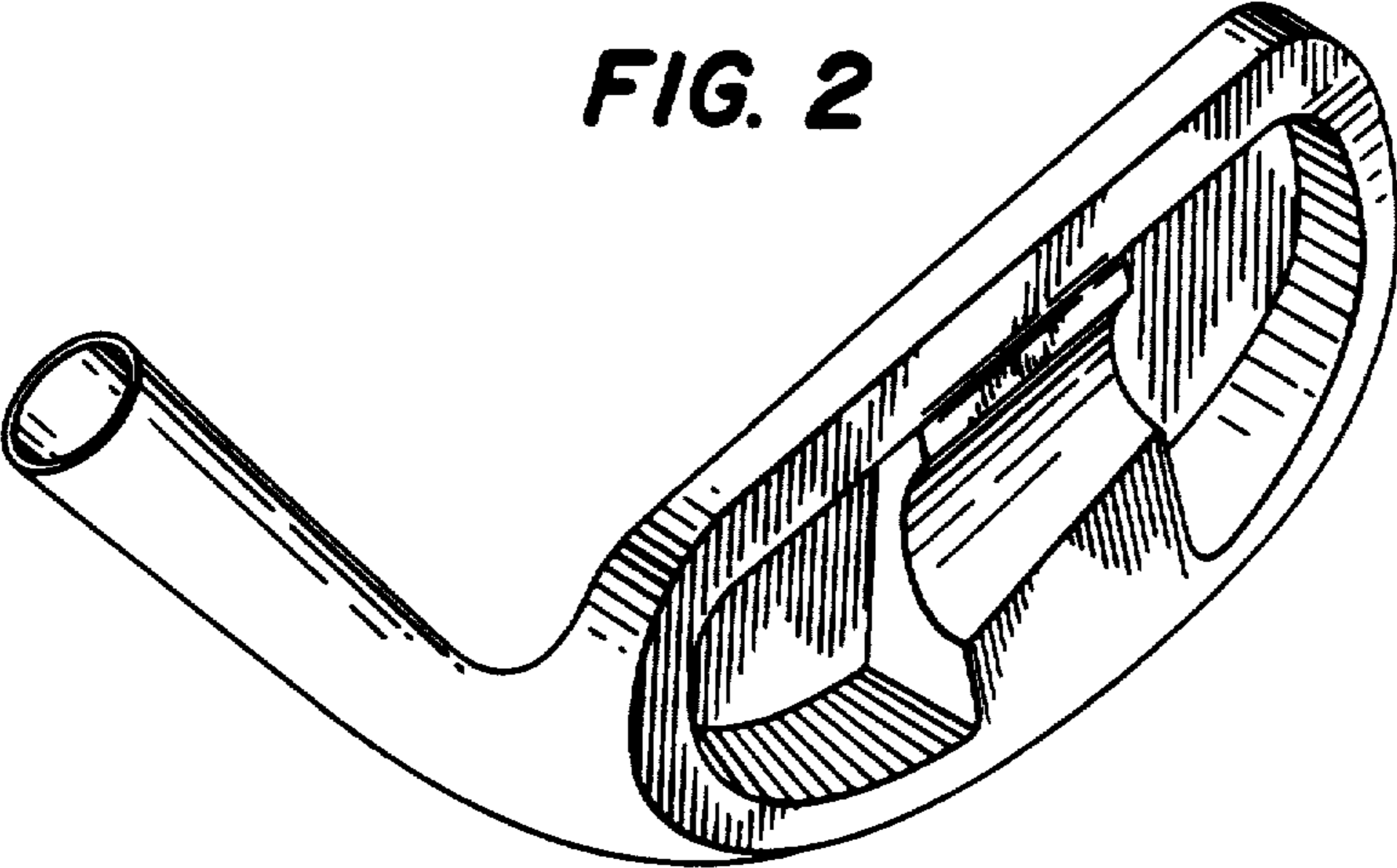


FIG. 3

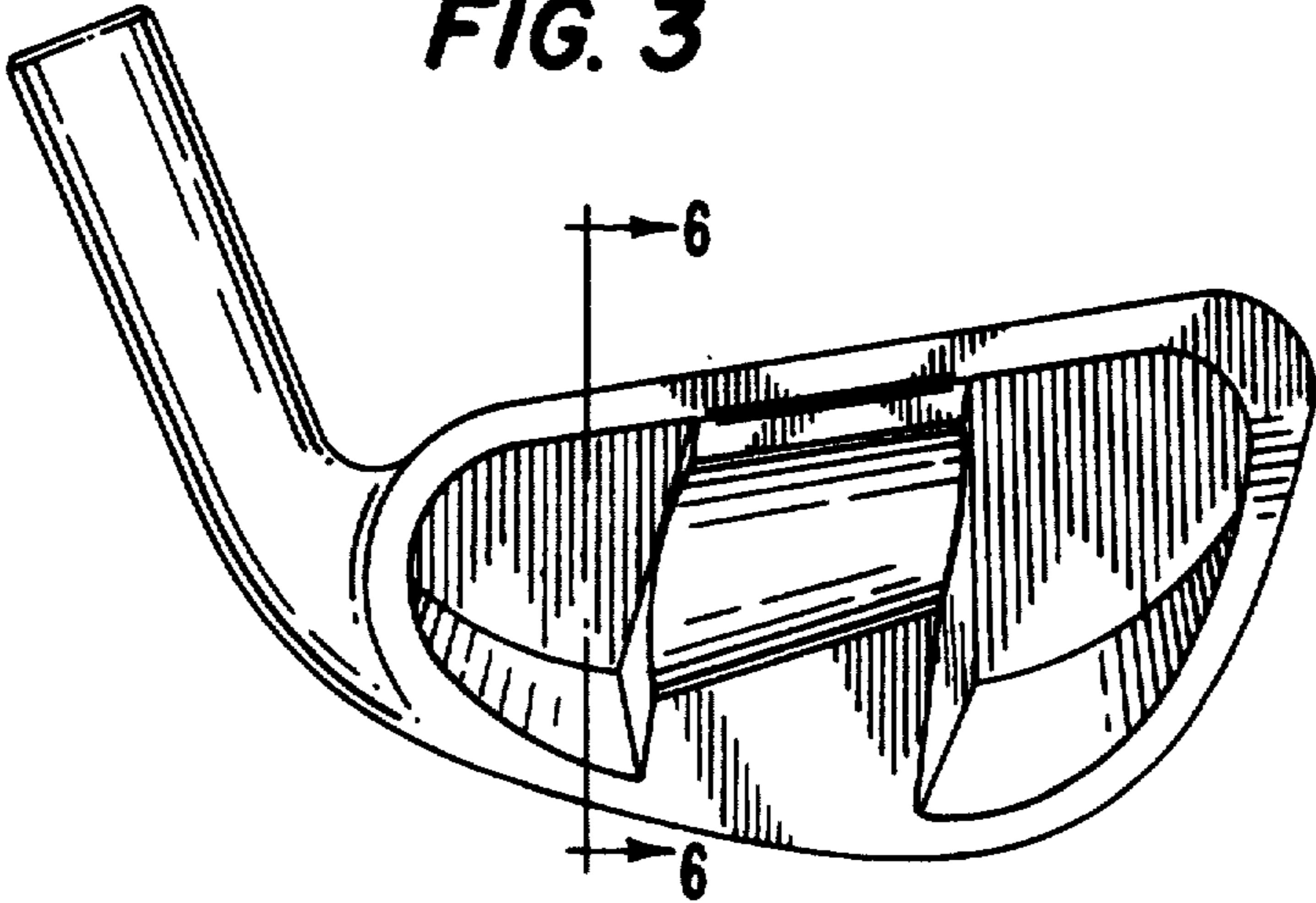


FIG. 4

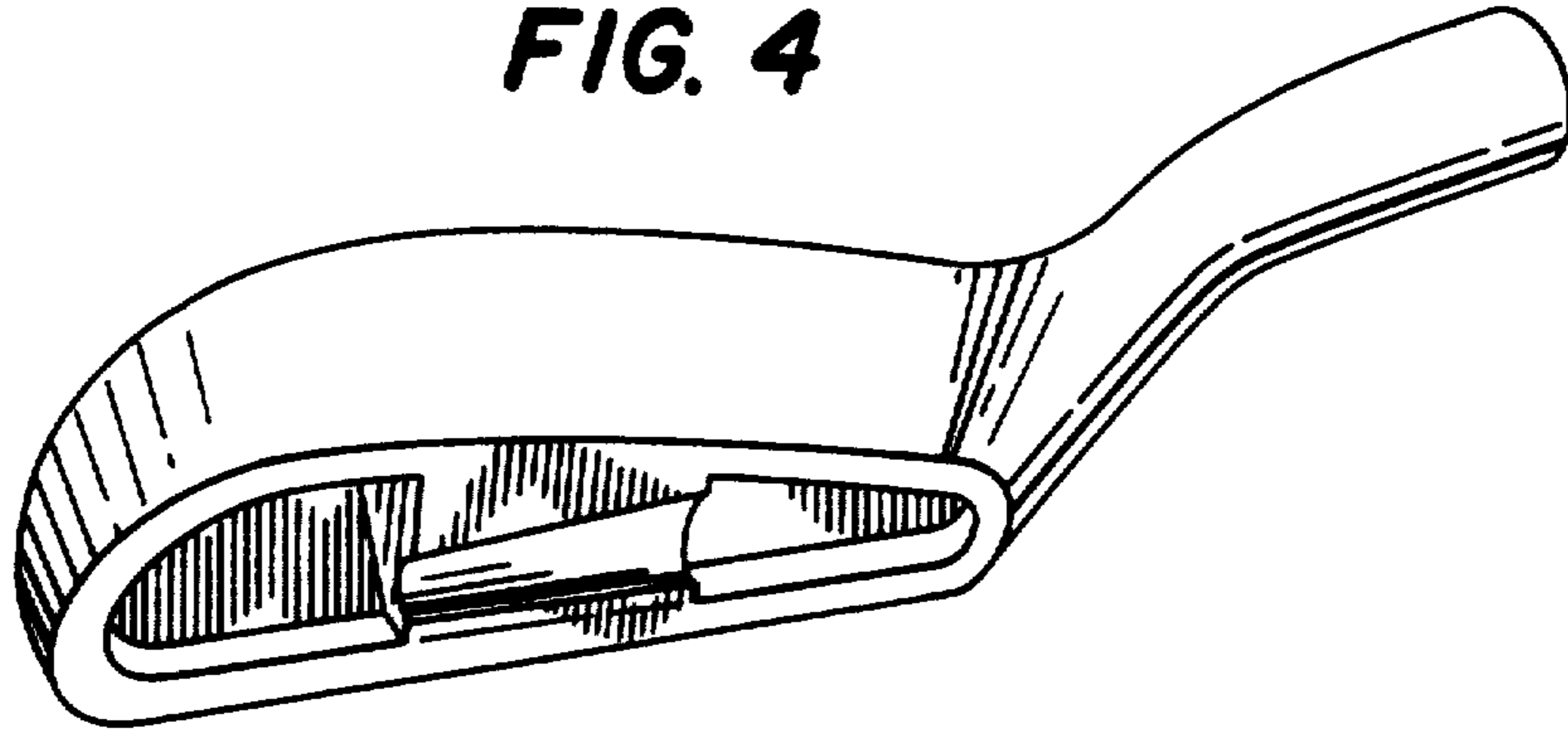


FIG. 5

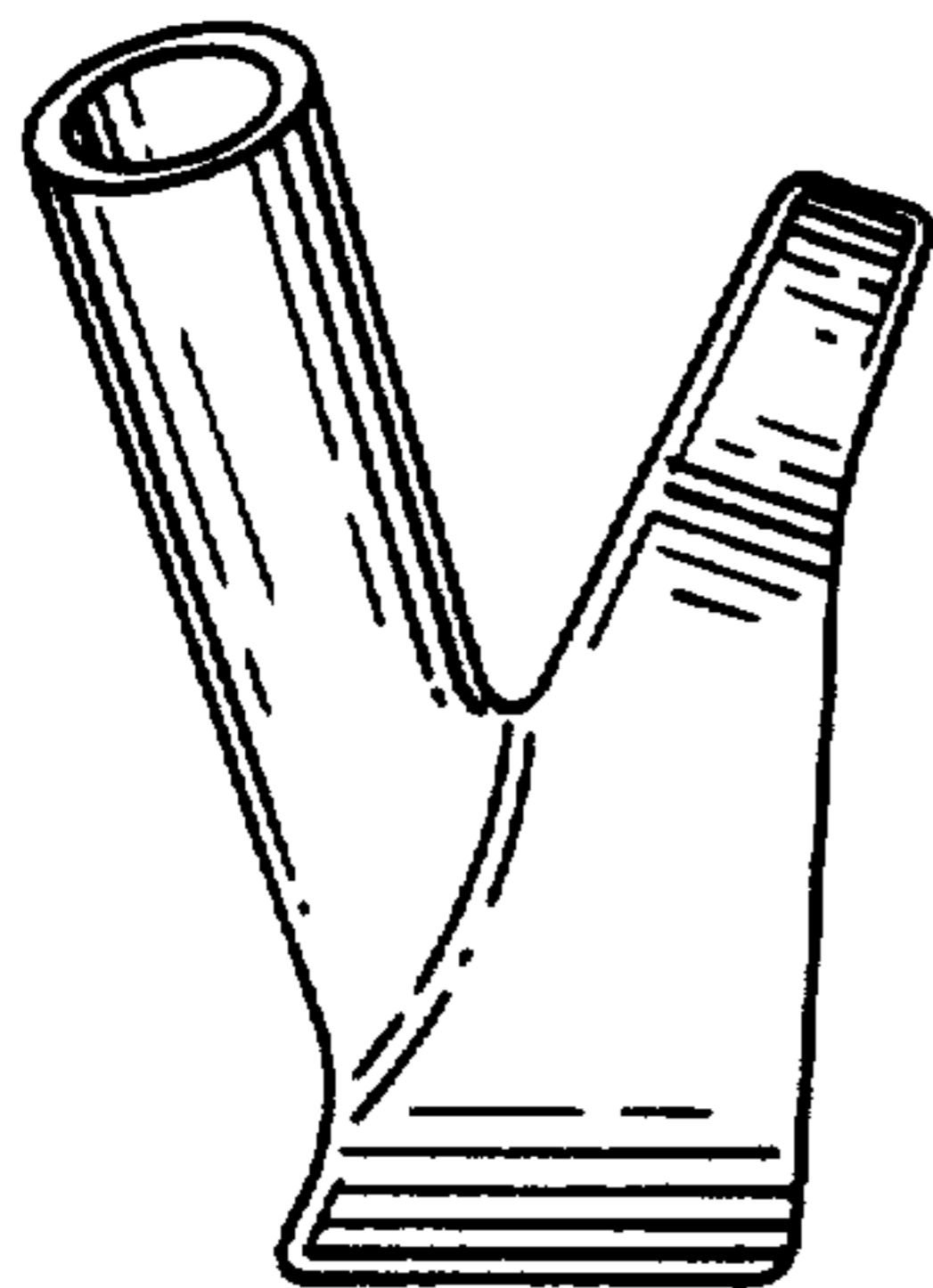


FIG. 6

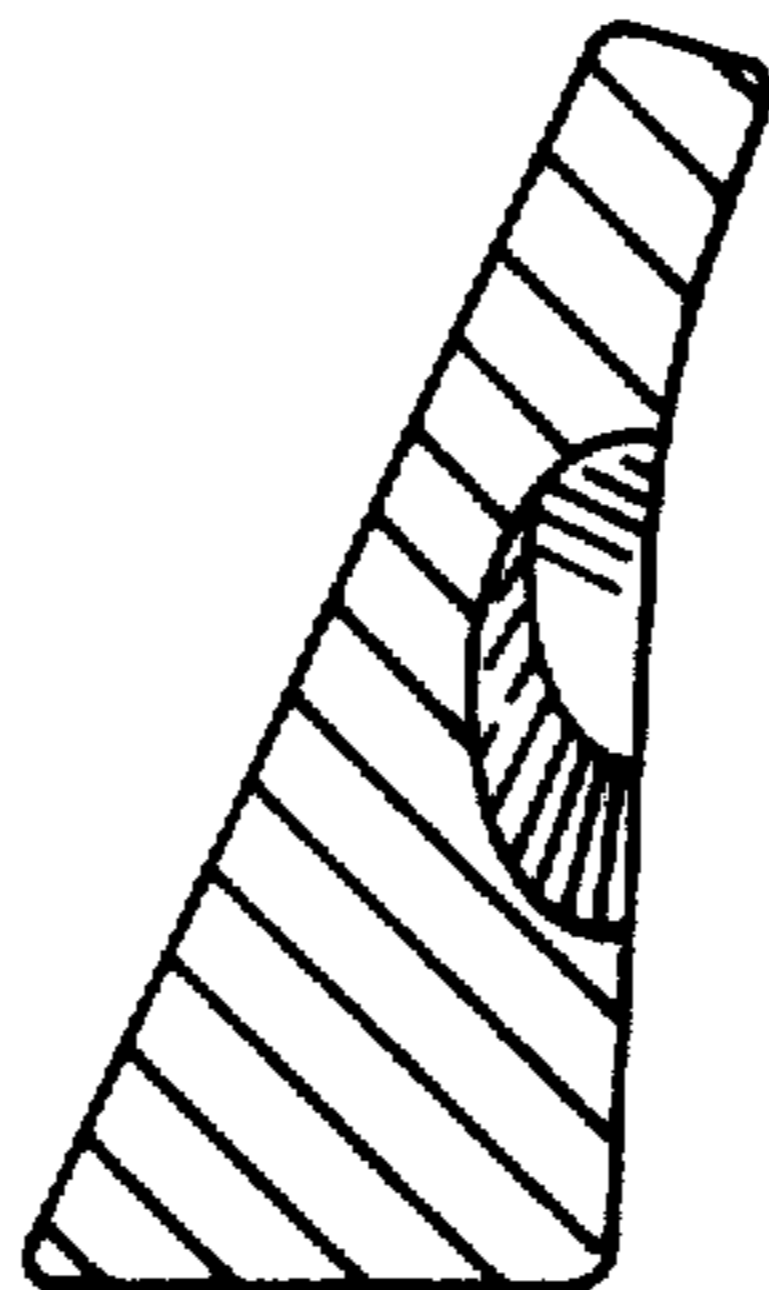


FIG. 7

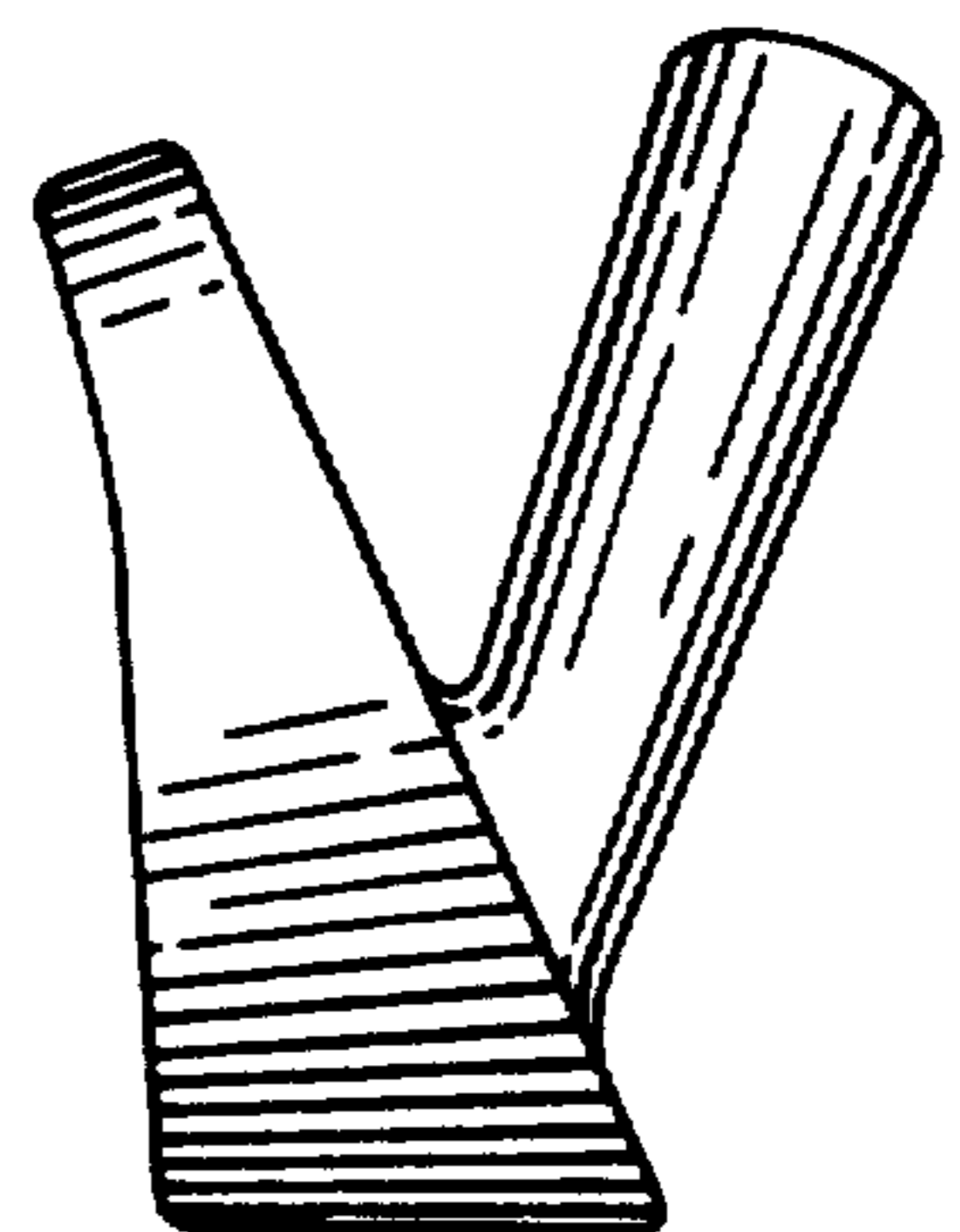


FIG. 8

