



US00D330238S

United States Patent [19]

[11] Patent Number: Des. 330,238

Desiderio

[45] Date of Patent: ** Oct. 13, 1992

[54] **PHYSICAL EXERCISER**

[76] Inventor: **Ronald Desiderio**, 400 Wharton Cir., SW., Atlanta, Ga. 30336

[**] Term: **14 Years**

[21] Appl. No.: **315,777**

[22] Filed: **Feb. 27, 1989**

[52] U.S. Cl. **D21/195**

[58] Field of Search **D21/191-199;**
273/93, 125, 130, 133, 134, 142, 143, 144, 118,
136, 117

D. 300,048 2/1989 Grider D21/195
4,456,245 6/1984 Baldwin 272/143
4,900,018 2/1990 Ish et al. 272/143

Primary Examiner—Charles A. Rademaker
Attorney, Agent, or Firm—Myron Amer

[57] **CLAIM**

The ornamental design for a physical exerciser, as shown and described.

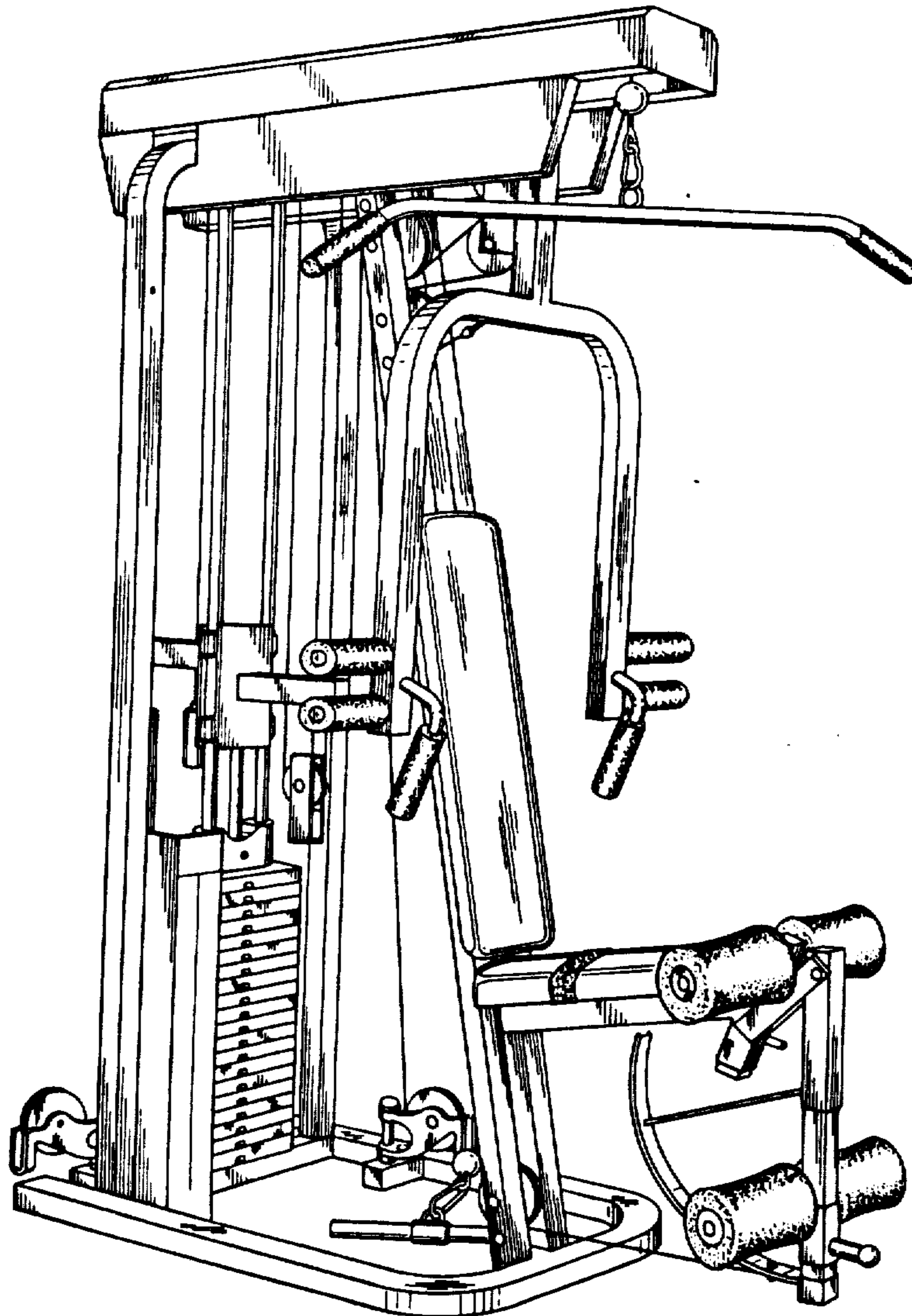
DESCRIPTION

FIG. 1 is a perspective view of a physical exerciser showing my new design;
FIG. 2 is a top plan view thereof;
FIG. 3 is a front elevational view thereof;
FIG. 4 is a right side elevational view thereof;
FIG. 5 is a rear elevational view thereof;
FIG. 6 is a left side elevational view thereof; and,
FIG. 7 is a bottom plan view thereof.

[56] **References Cited**

U.S. PATENT DOCUMENTS

D. 262,812 1/1982 Lambert et al. D21/195
D. 284,297 6/1986 Mahnke D21/195
D. 288,451 2/1987 Irvine et al. D21/195
D. 289,784 5/1987 Carey et al. D21/195



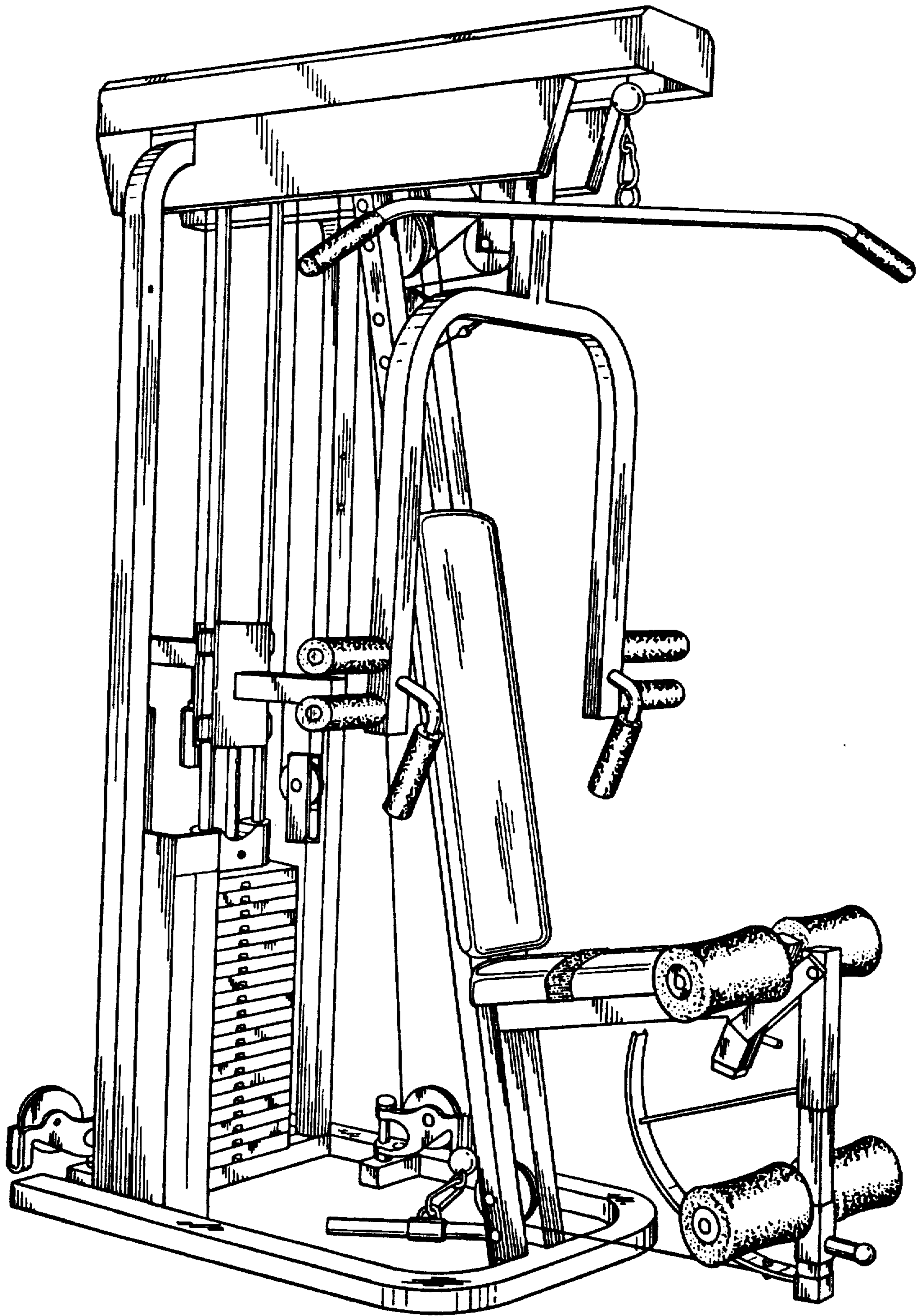


FIG.1

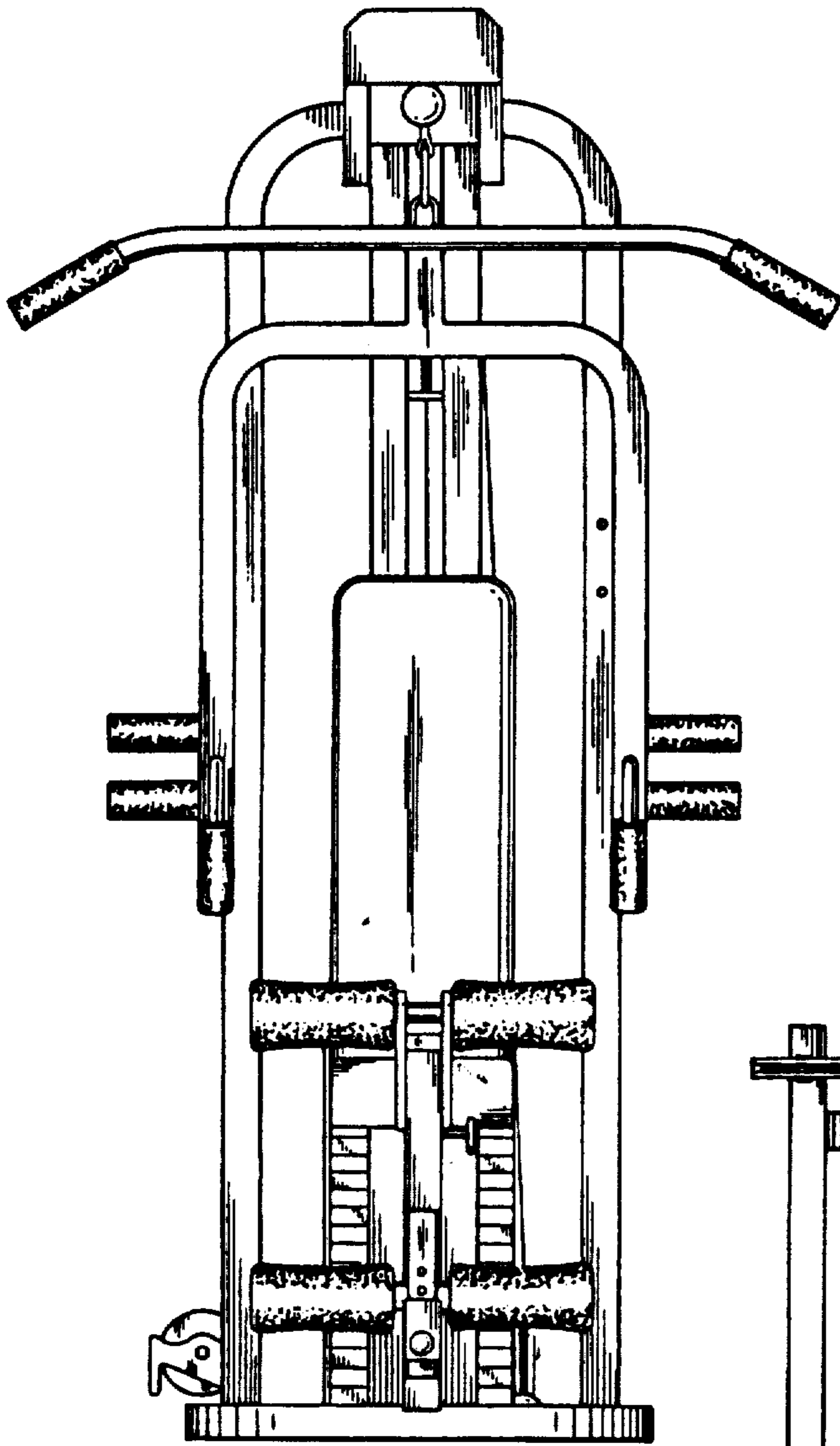


FIG.3

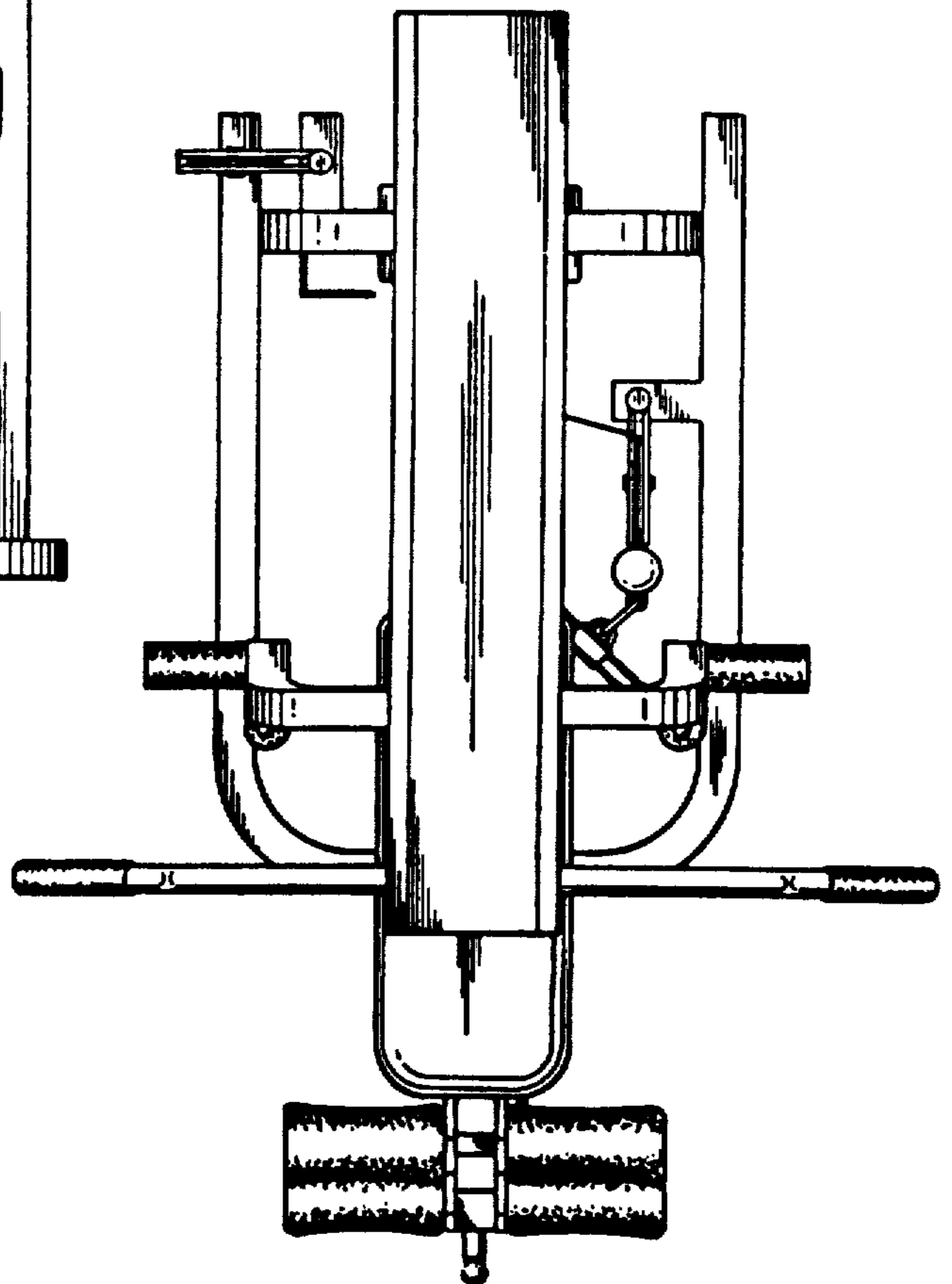


FIG.2

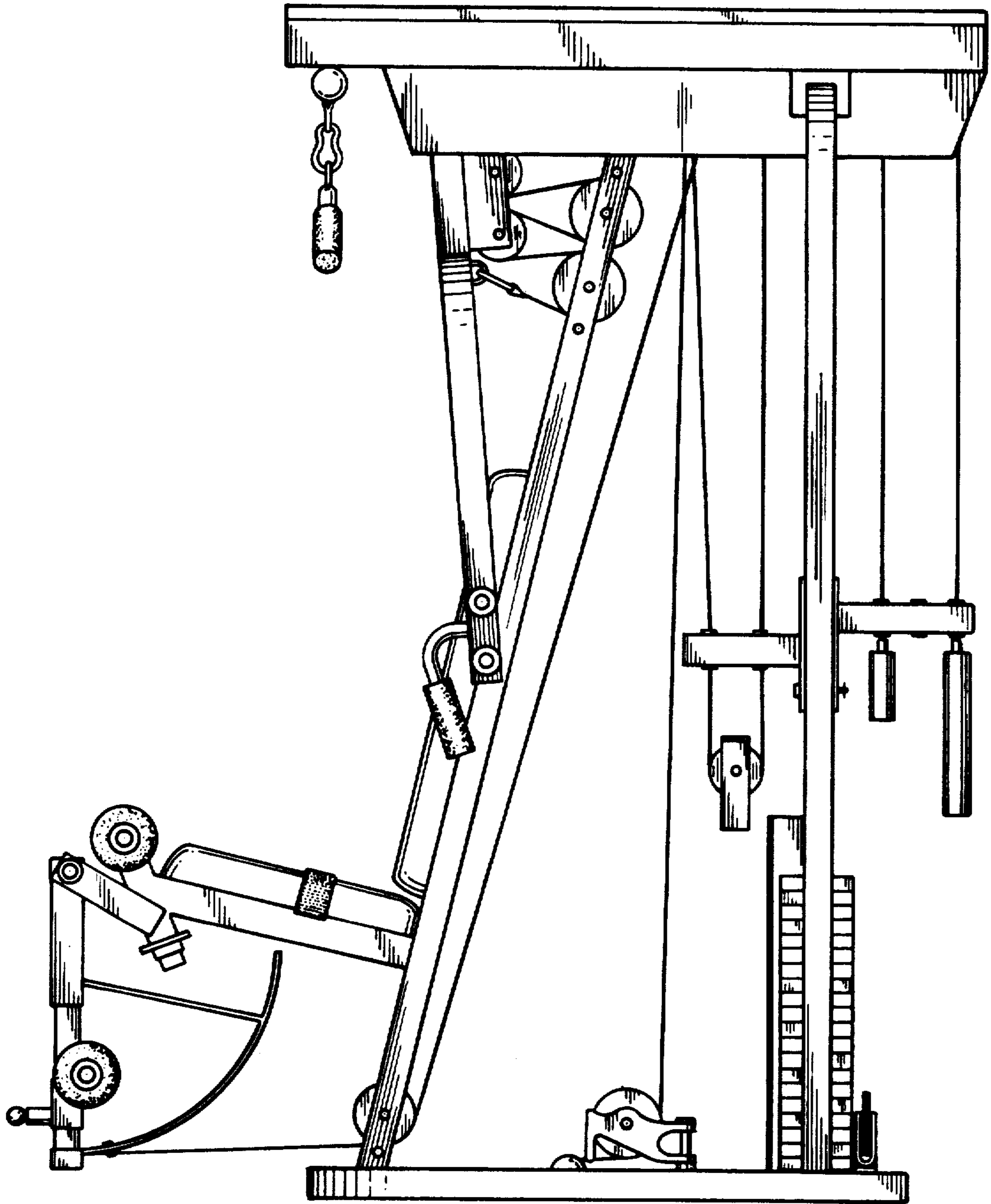


FIG.4

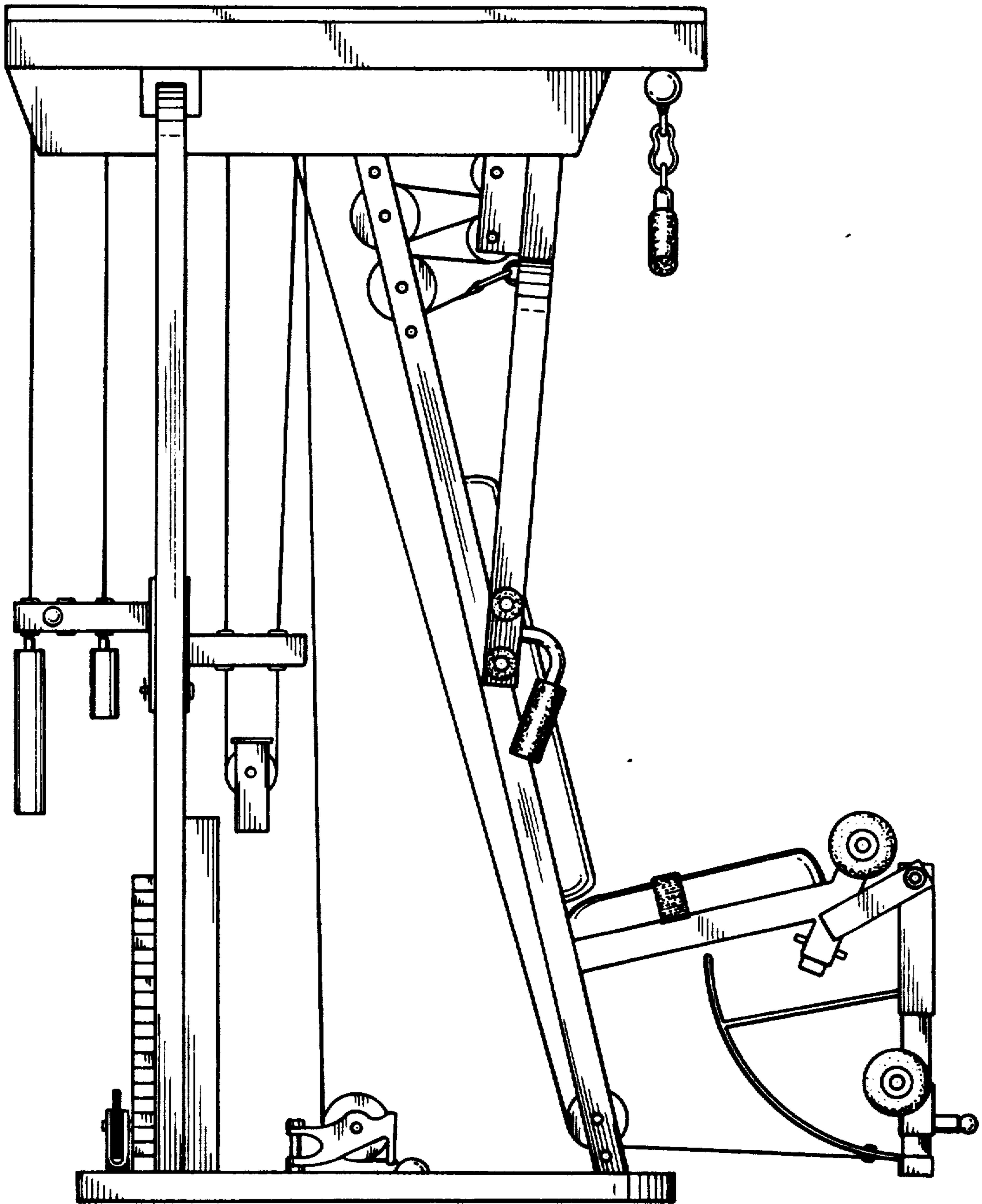


FIG.5

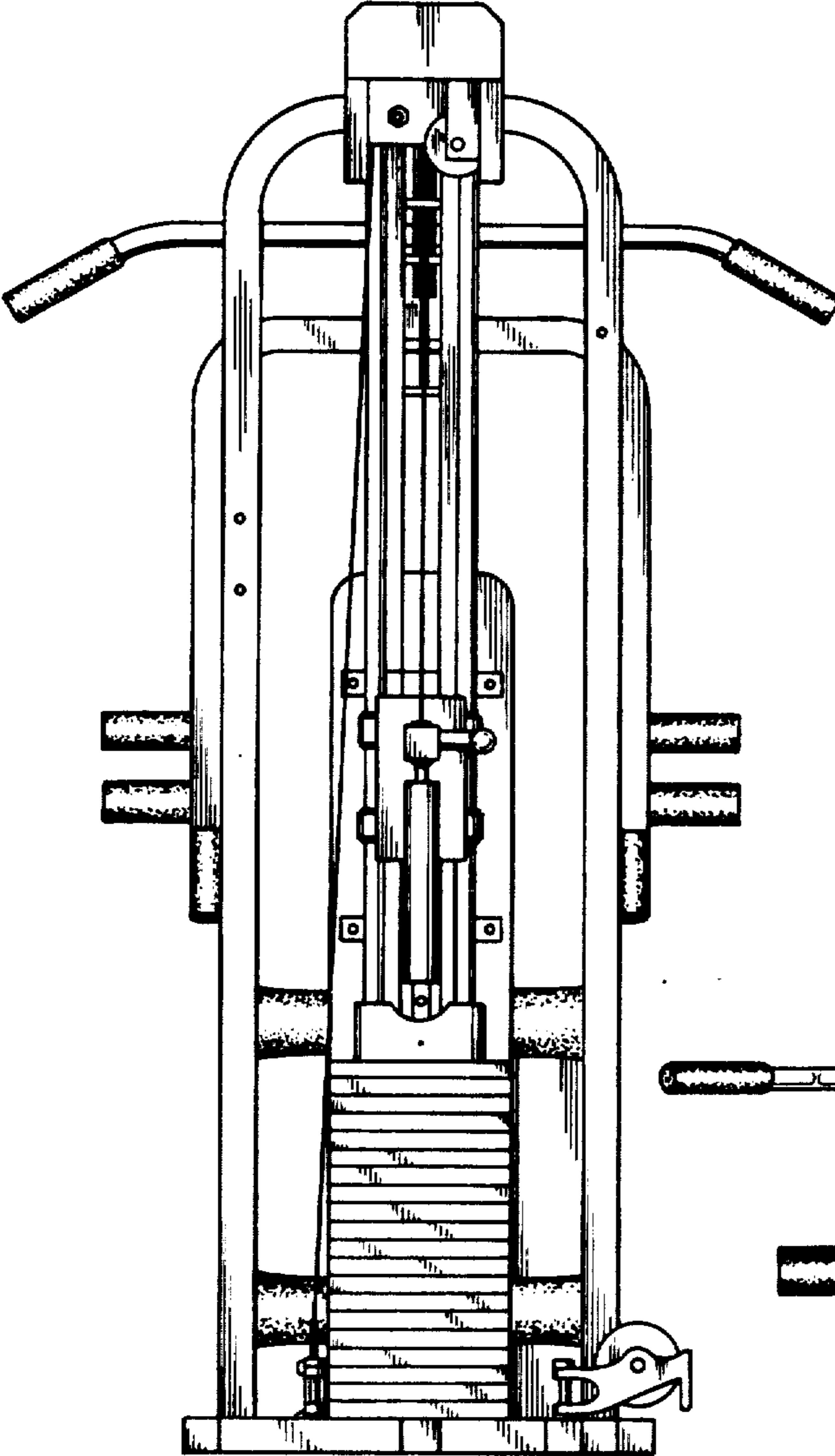


FIG. 6

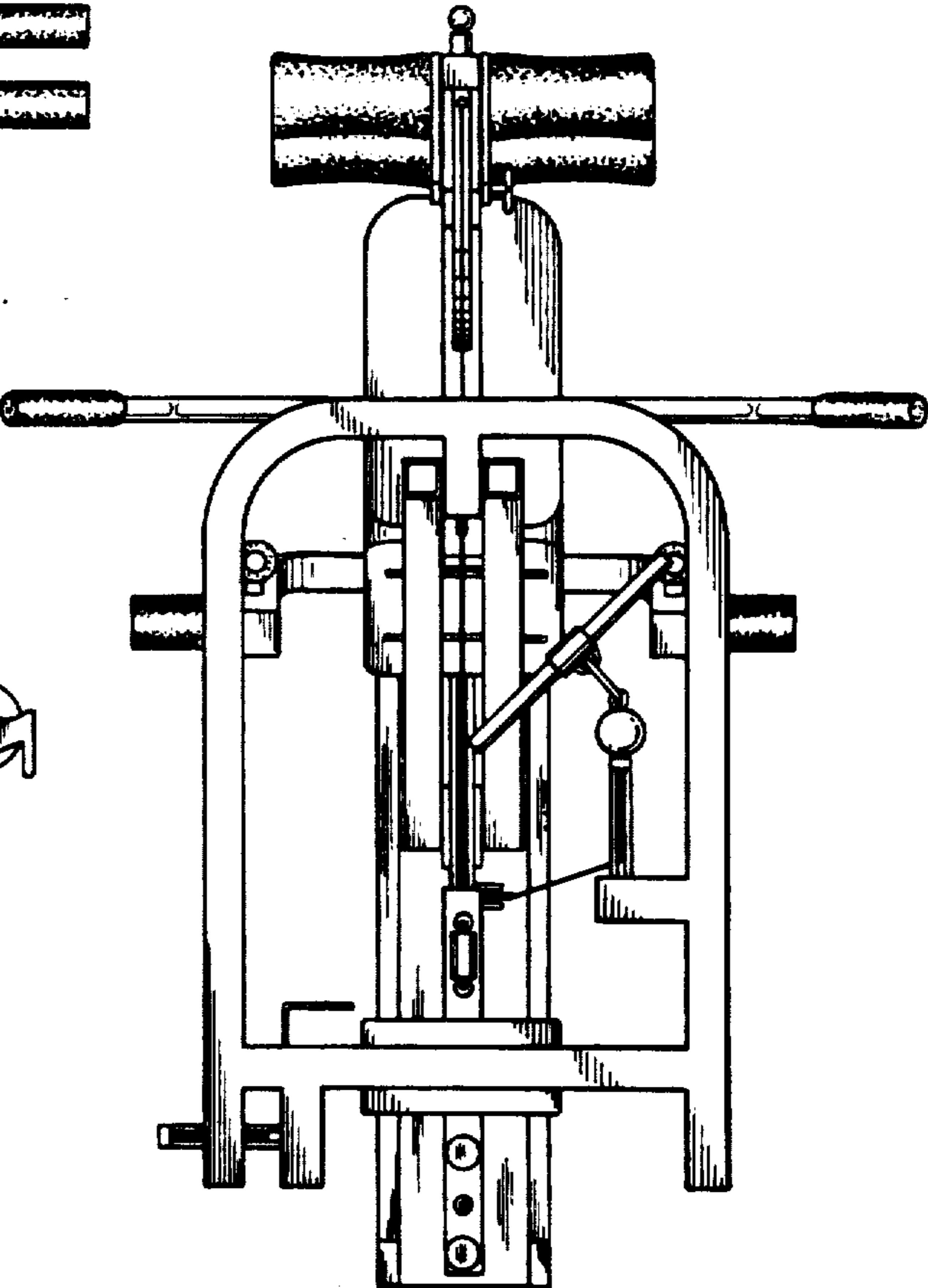


FIG. 7