



US00D330237S

# United States Patent [19]

[11] Patent Number: Des. 330,237

Miller

[45] Date of Patent: \*\* Oct. 13, 1992

[54] **RECUMBENT EXERCISE BICYCLE**

[75] Inventor: **Randolph F. Miller**, Mount Vernon, Wash.

[73] Assignee: **Tunturi, Inc.**, Redmond, Wash.

[\*\*] Term: **14 Years**

[21] Appl. No.: **643,077**

[22] Filed: **Jan. 18, 1991**

[52] U.S. Cl. .... **D21/194**

[58] Field of Search ..... **D21/191-199;**  
272/70.3, 73, 132; 73/379; 482/57, 58, 60, 62,  
64, 65, 66, 51, 900, 901

[56] **References Cited**

**U.S. PATENT DOCUMENTS**

D. 218,107	7/1970	Feather et al. ....	D21/194
D. 300,047	2/1989	Sheltra .....	D21/194
D. 305,348	1/1990	Schuring et al. ....	D21/194
D. 305,677	1/1990	Beistegui .....	D21/194
D. 316,887	5/1991	Lo et al. ....	D21/194
D. 320,826	10/1991	Hildebrandt et al. ....	D21/194
D. 324,090	2/1992	Miller .....	D21/194

**OTHER PUBLICATIONS**

Brochure of Tonic Sport Manufacturing Co., Ltd., relating to TG-540 Recumbent Ergocycle.  
Brochure of Engineering Dynamics Corporation relating to Biocycle EM610.

Brochure of Pro-Form Fitness Products, Inc. relating to Air Cyclist.

Brochure of Precor, Incorporated relating to Precor 815e Semi-Recumbent Stationary Cycle.

Brochure of Nautilus showing recumbent exercise bike.

Brochure of Marcy Fitness Products relating to recumbent exercise module Rem plus.

Brochure of Pro-Tec Sports International relating to PTS Turbo 1000 Exercise Bike.

Brochure of Fitness Quest relating to Recline Rider.

Brochure of IMPEX, Inc. relating to Fitness Rider FR2000AP.

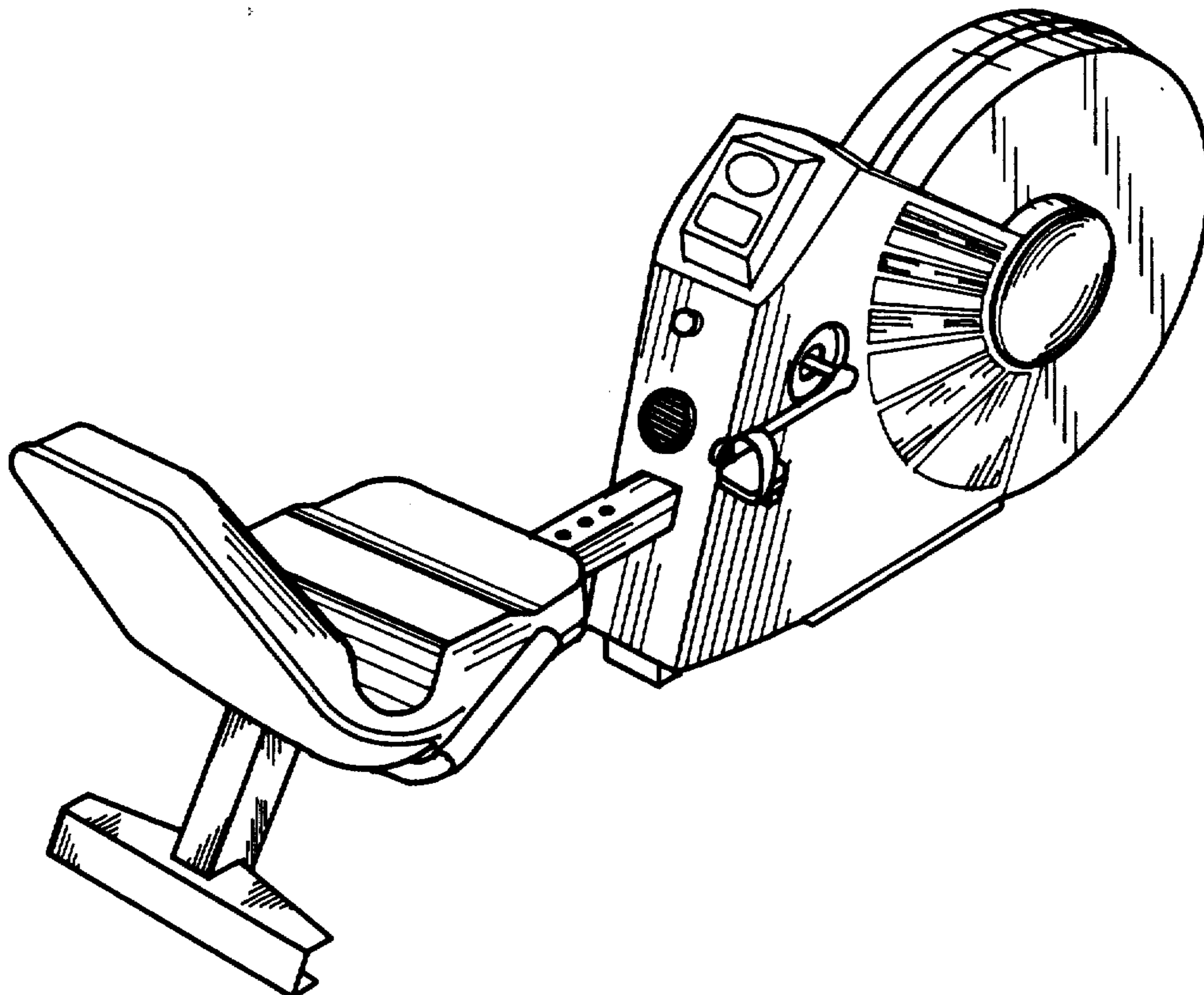
*Primary Examiner*—Charles A. Rademaker  
*Attorney, Agent, or Firm*—Graybeal Jackson Haley & Johnson

[57] **CLAIM**

The ornamental design for a recumbent exercise bicycle, as shown and described.

**DESCRIPTION**

FIG. 1 is a rear perspective view of a recumbent exercise bicycle showing my new design;  
FIG. 2 is a right side elevational view thereof, the side opposite being substantially a mirror image;  
FIG. 3 is a front elevational view thereof;  
FIG. 4 is a rear elevational view thereof;  
FIG. 5 is a bottom plan view thereof; and,  
FIG. 6 is a top plan view thereof.



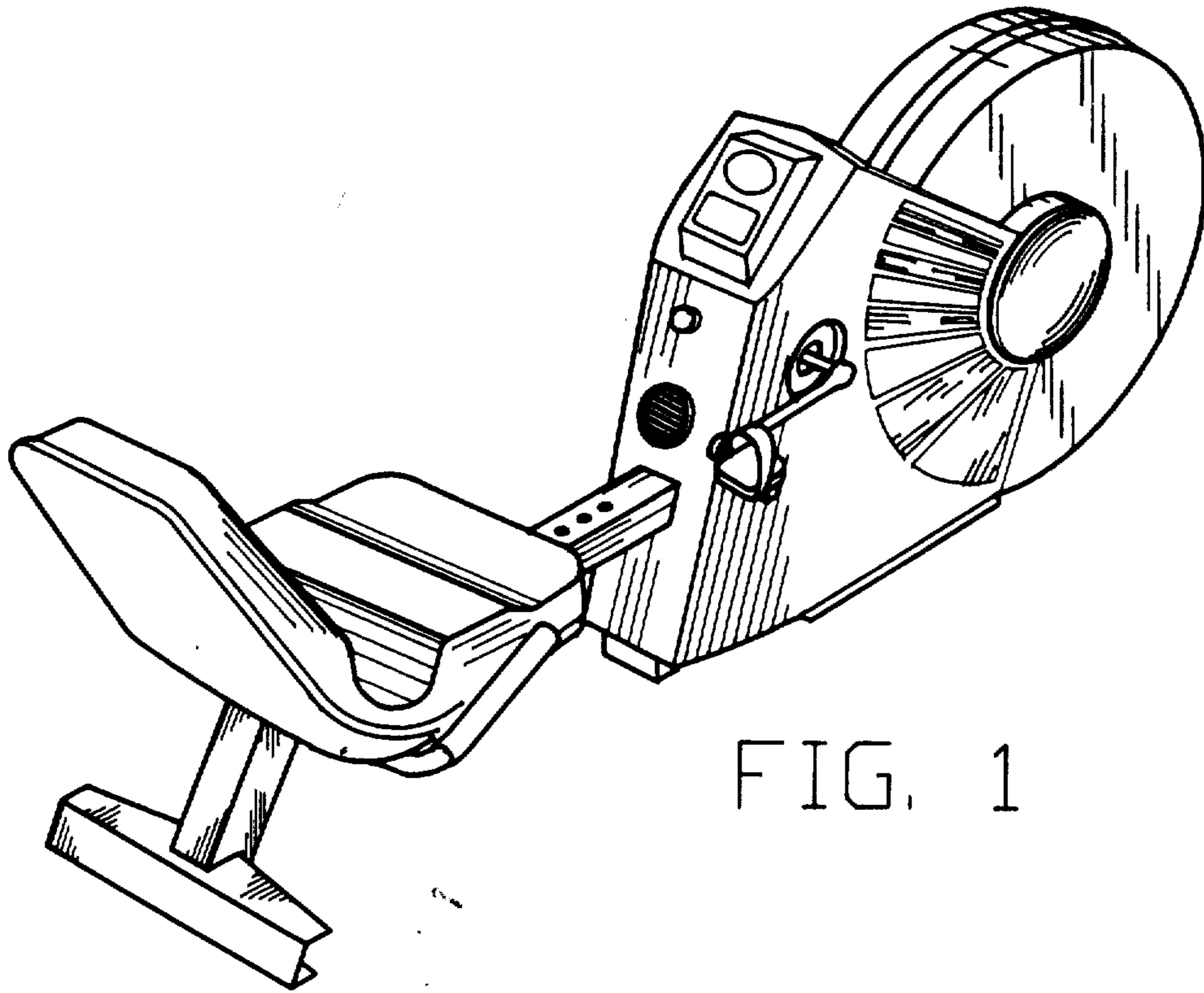


FIG. 1

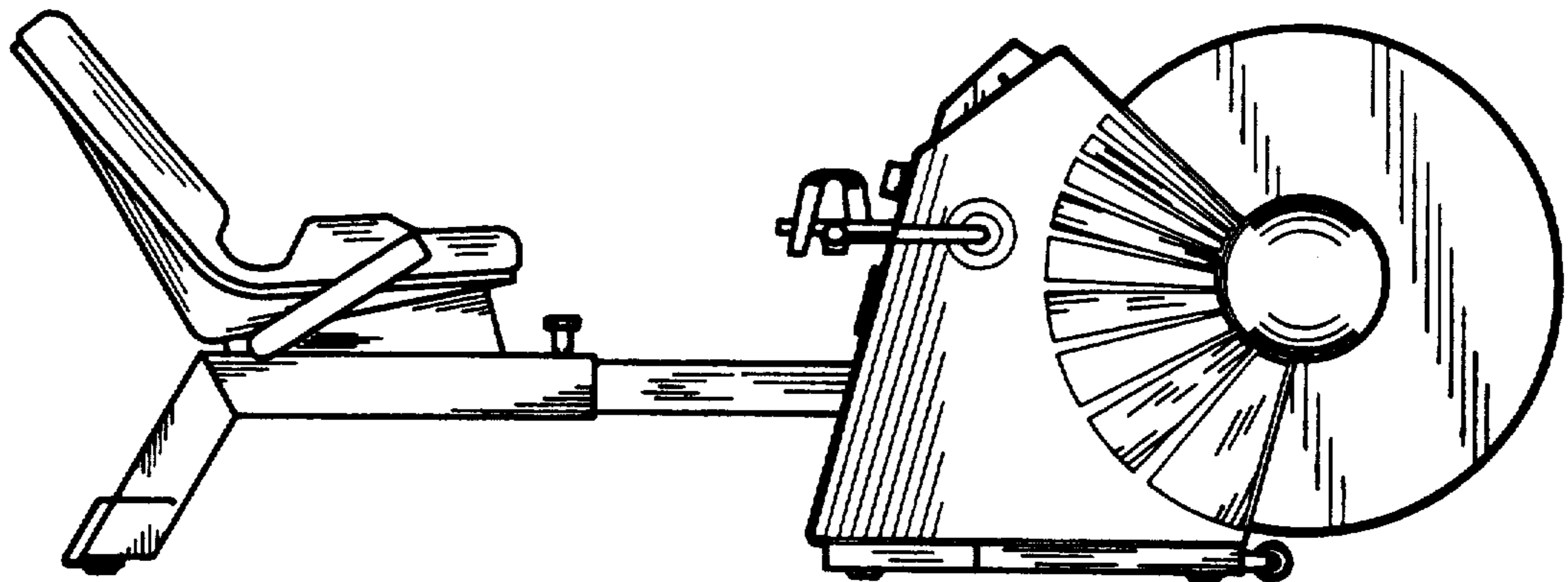


FIG. 2

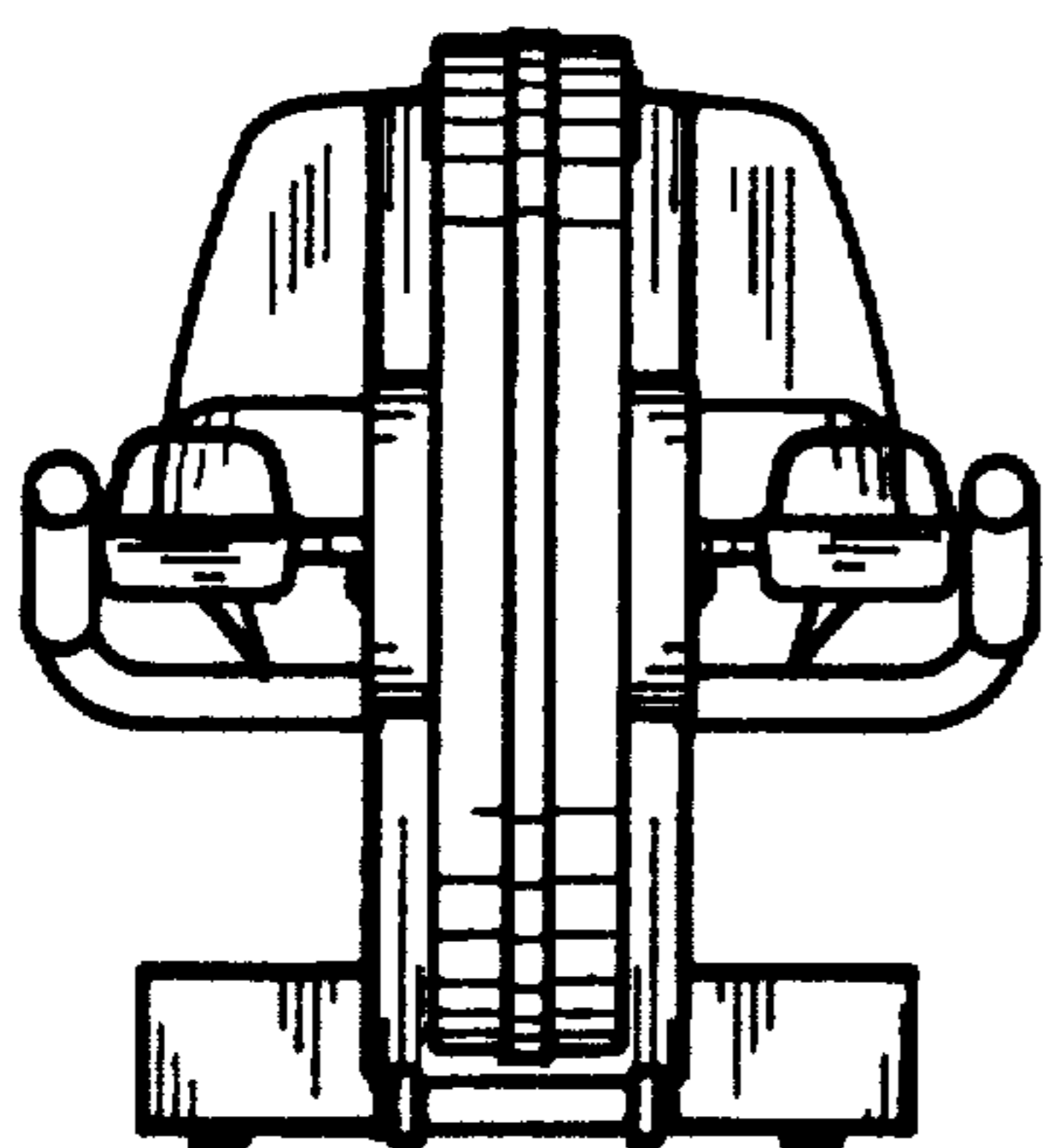


FIG. 3

FIG. 5

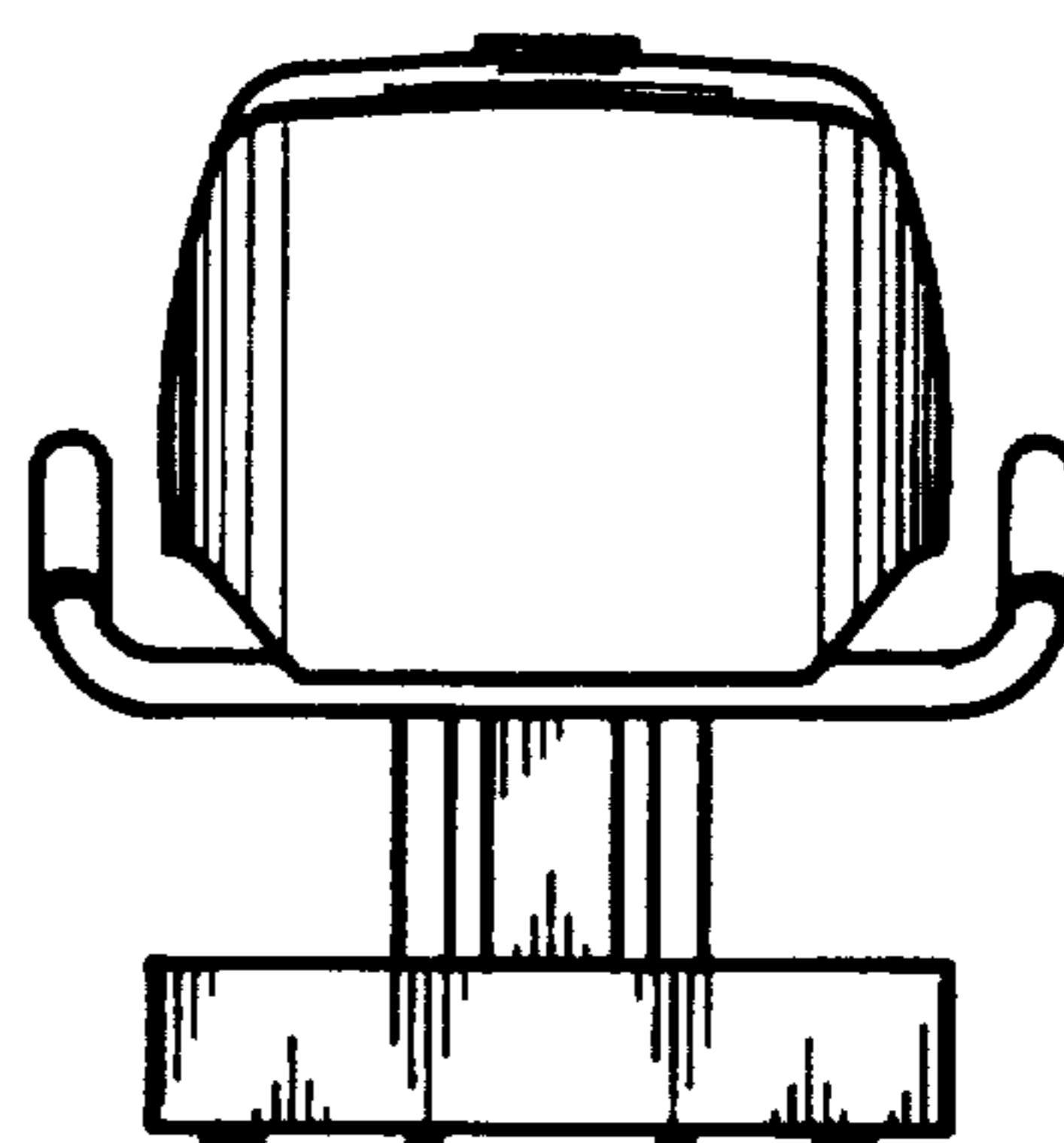
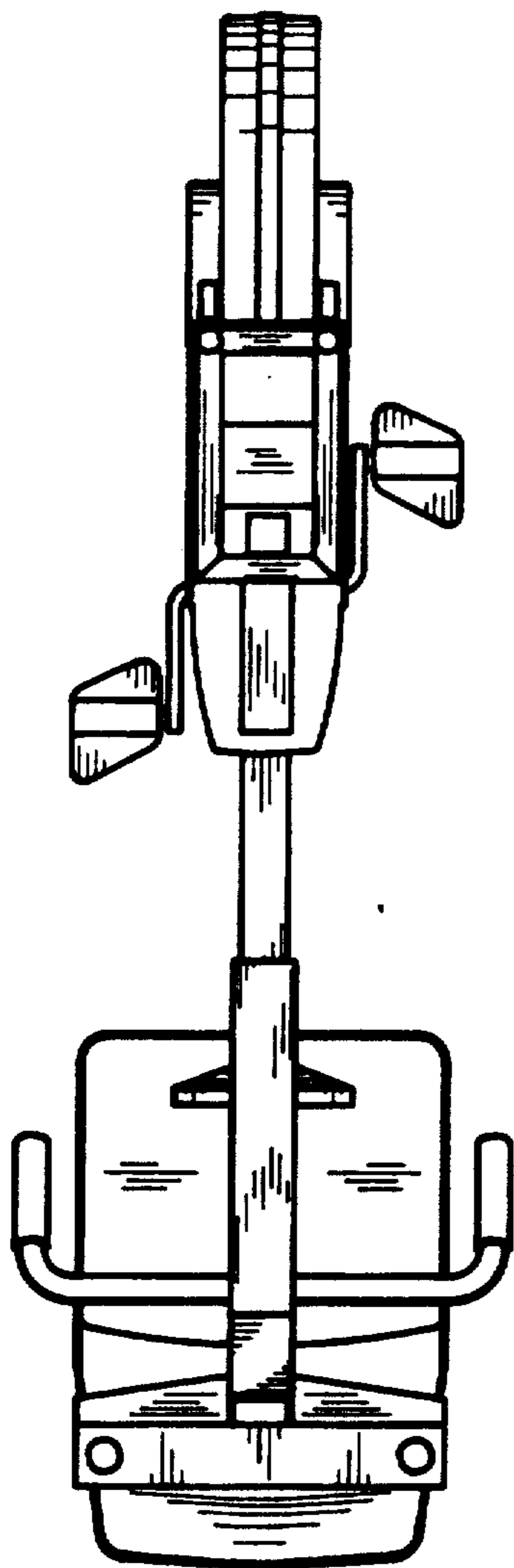


FIG. 4

FIG. 6

