



US00D330236S

United States Patent [19]

[11] Patent Number: **Des. 330,236**

Jarriel et al.

[45] Date of Patent: **** Oct. 13, 1992**

- [54] SEATLESS CYCLE EXERCISER
- [75] Inventors: **Jack B. Jarriel; Ira J. Silberman,**
both of Opelika, Ala.
- [73] Assignee: **Diversified Products Corporation,**
Opelika, Ala.
- [**] Term: **14 Years**
- [21] Appl. No.: **641,365**
- [22] Filed: **Jan. 15, 1991**
- [52] U.S. Cl. **D21/194**
- [58] Field of Search **D21/191-199;**
272/70.3, 73, 132; 73/379

- D. 318,505 7/1991 Gustafsson et al. D21/194
- D. 319,480 8/1991 Byrd et al. D21/194
- D. 319,675 9/1991 Byrd et al. D21/194
- 4,838,544 6/1989 Sasakawa et al. 272/73
- 4,932,650 6/1990 Bingham et al. 272/73

Primary Examiner—Charles A. Rademaker
Attorney, Agent, or Firm—Banner, Birch, McKie & Beckett

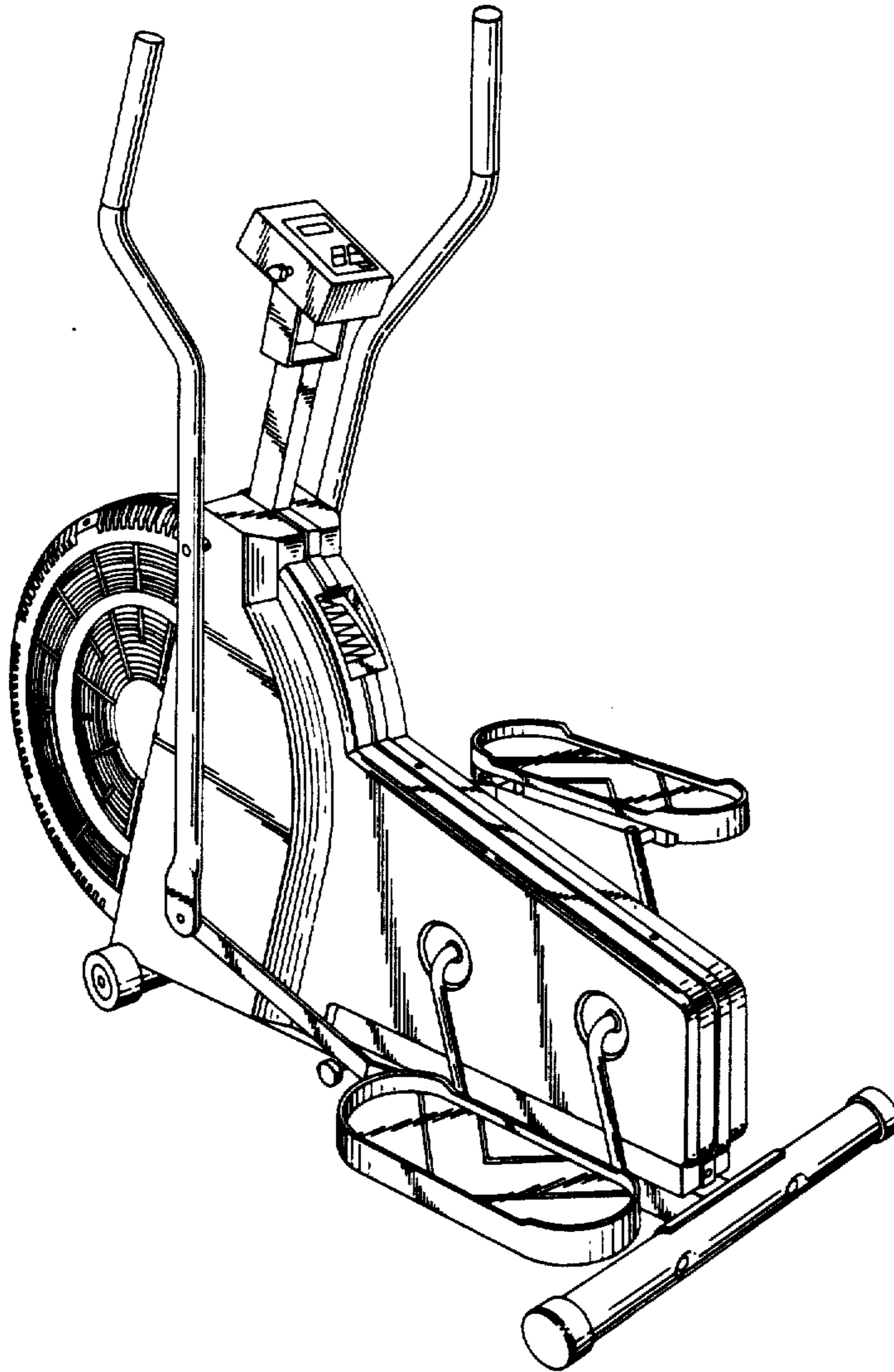
[57] CLAIM

The ornamental design for a seatless cycle exerciser, as shown and described.

DESCRIPTION

FIG. 1 is a rear perspective view of a seatless cycle exerciser showing our new design; FIG. 2 is a right side elevational view thereof, the opposite side being substantially a mirror image thereof; FIG. 3 is a front elevational view thereof; FIG. 4 is a rear elevational view thereof; and, FIG. 5 is a top plan view thereof.

- [56] **References Cited**
- U.S. PATENT DOCUMENTS**
- D. 280,003 8/1985 Kiiski D21/194
- D. 306,330 2/1990 Lucas et al. D21/194
- D. 307,167 4/1990 Lucas et al. D21/194
- D. 307,615 5/1990 Bingham et al. D21/194



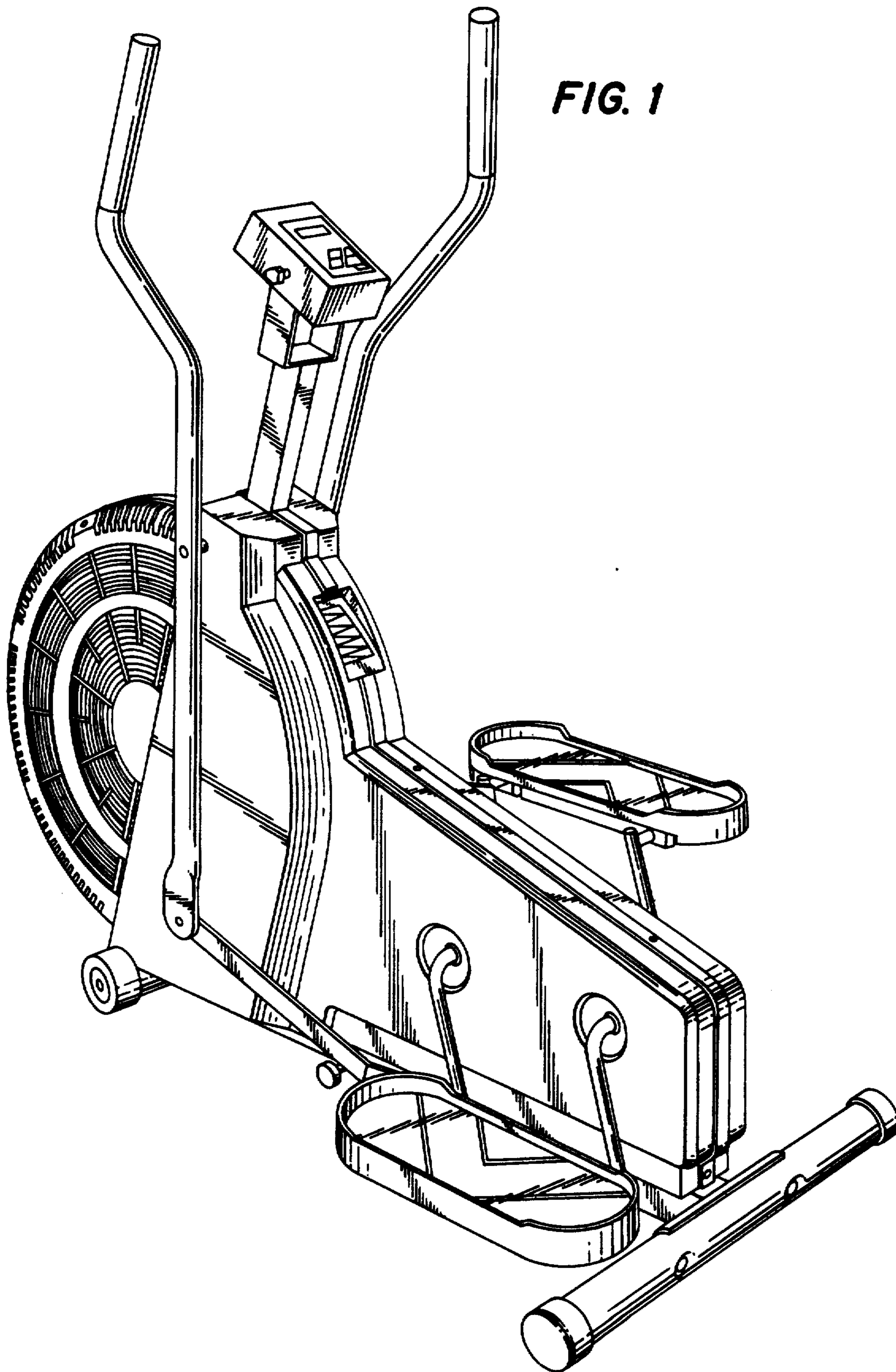


FIG. 1

FIG. 3

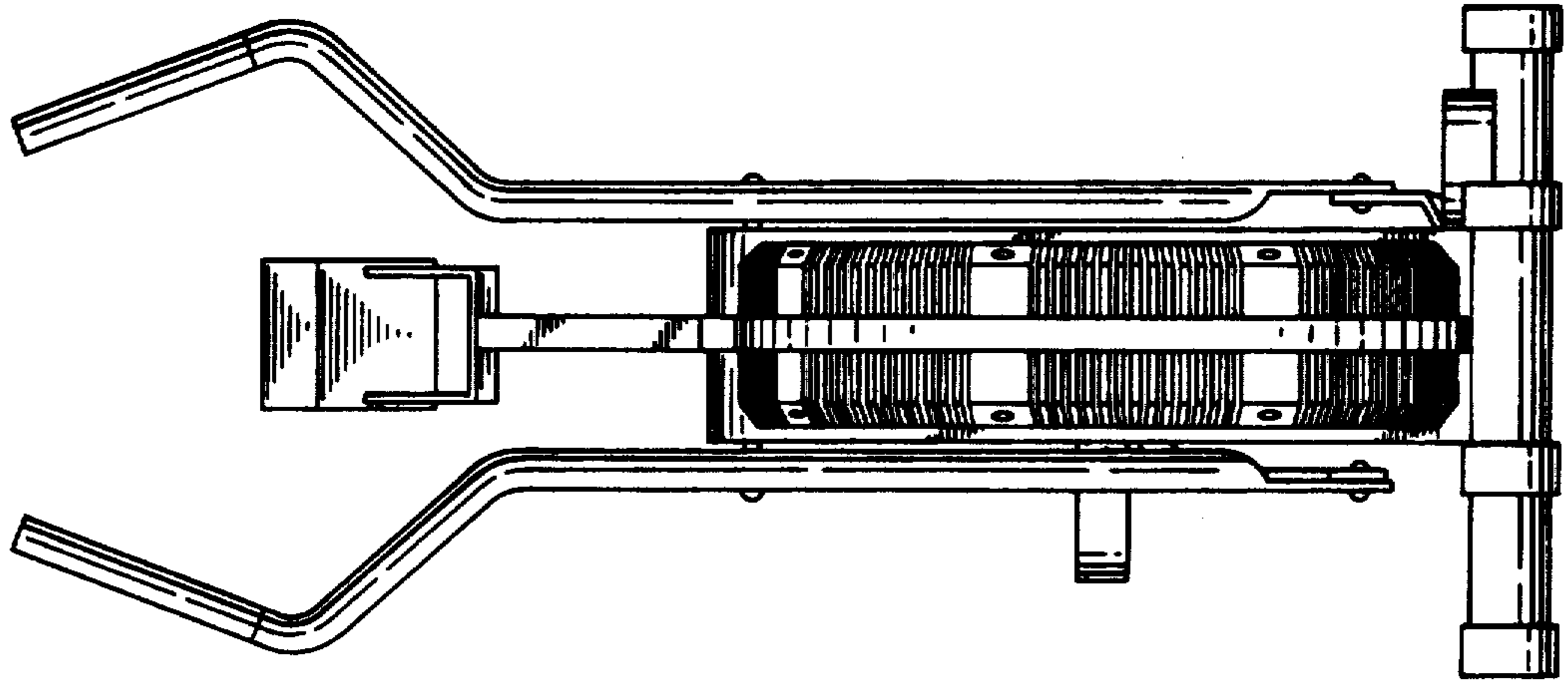


FIG. 2

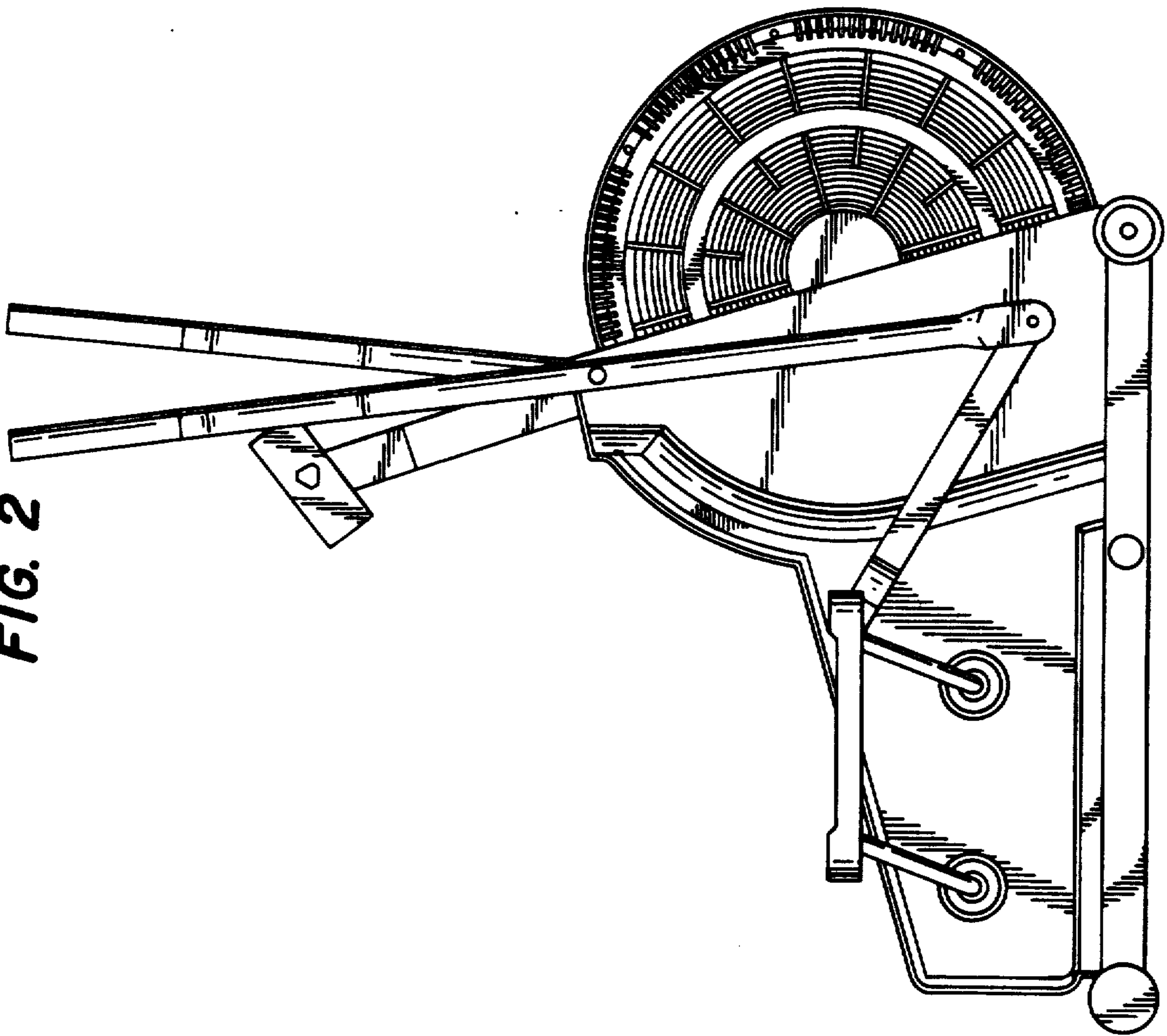


FIG. 4

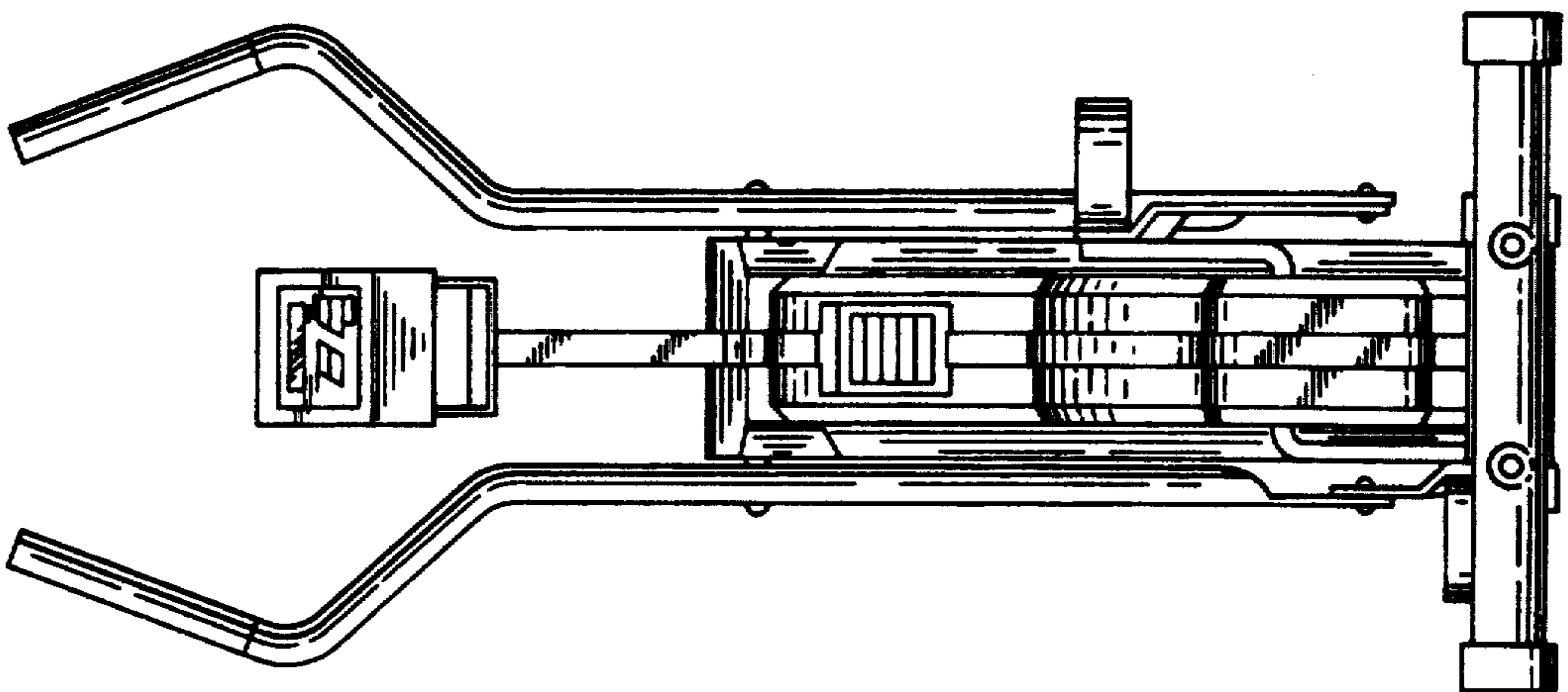


FIG. 5

