



US00D330235S

United States Patent [19]

Traetta et al.

[11] Patent Number: **Des. 330,235**

[45] Date of Patent: **** Oct. 13, 1992**

[54] **EXERCISE PLATFORM**

[75] Inventors: **John S. Traetta, Oradell, N.J.; Derek M. Dewberry, Dallas, Tex.**

[73] Assignee: **High Bar Productions, Ltd., New York, N.Y.**

[**] Term: **14 Years**

[21] Appl. No.: **638,657**

[22] Filed: **Jan. 8, 1991**

[52] U.S. Cl. **D21/191; D6/349**

[58] Field of Search **D21/191; 482/52; D6/349, 350, 355, 500, 501, 502**

[56] **References Cited**

U.S. PATENT DOCUMENTS

- D. 260,701 9/1981 Jonasson D6/333
- D. 268,280 3/1983 Rodger D6/349
- D. 280,052 8/1985 Hypponen D6/349

- D. 318,958 8/1991 Ahlström et al. D6/349
- D. 322,826 12/1991 Wilkinson D6/350
- 5,050,861 9/1991 Thomas et al. 482/52
- 5,066,001 11/1991 Wilkinson 482/52

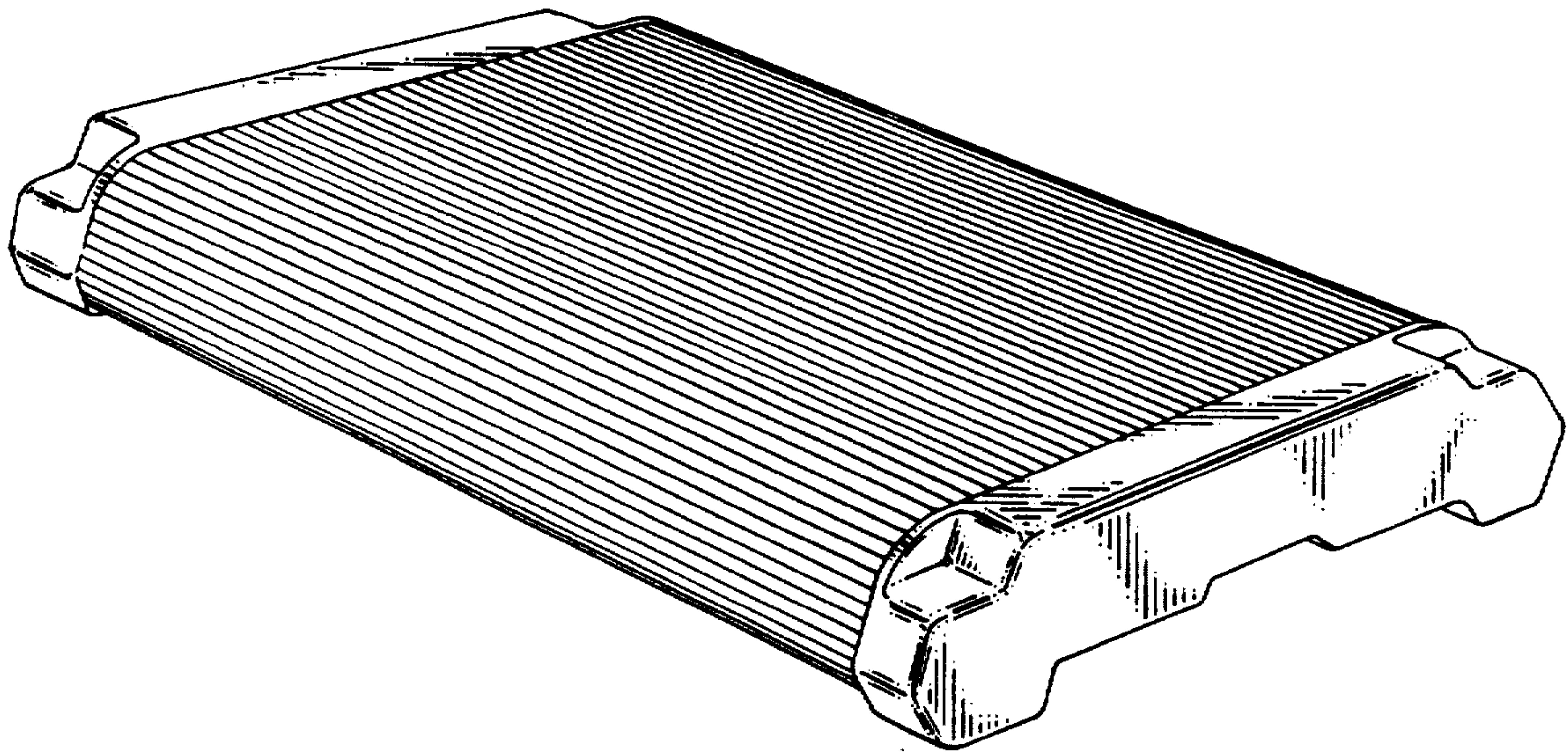
Primary Examiner—Bernard Ansher
Assistant Examiner—Philip Hyder
Attorney, Agent, or Firm—Dennis T. Griggs

[57] **CLAIM**

The ornamental design for an exercise platform, as shown and described.

DESCRIPTION

FIG. 1 is a perspective view of an exercise platform showing my new design;
FIG. 2 is a top plan view thereof;
FIG. 3 is a front elevational view hereof, the rear elevational view being a mirror image thereof; and,
FIG. 4 is a right side elevational view thereof, the left side elevational view being a mirror image thereof.
The bottom is unornamented.



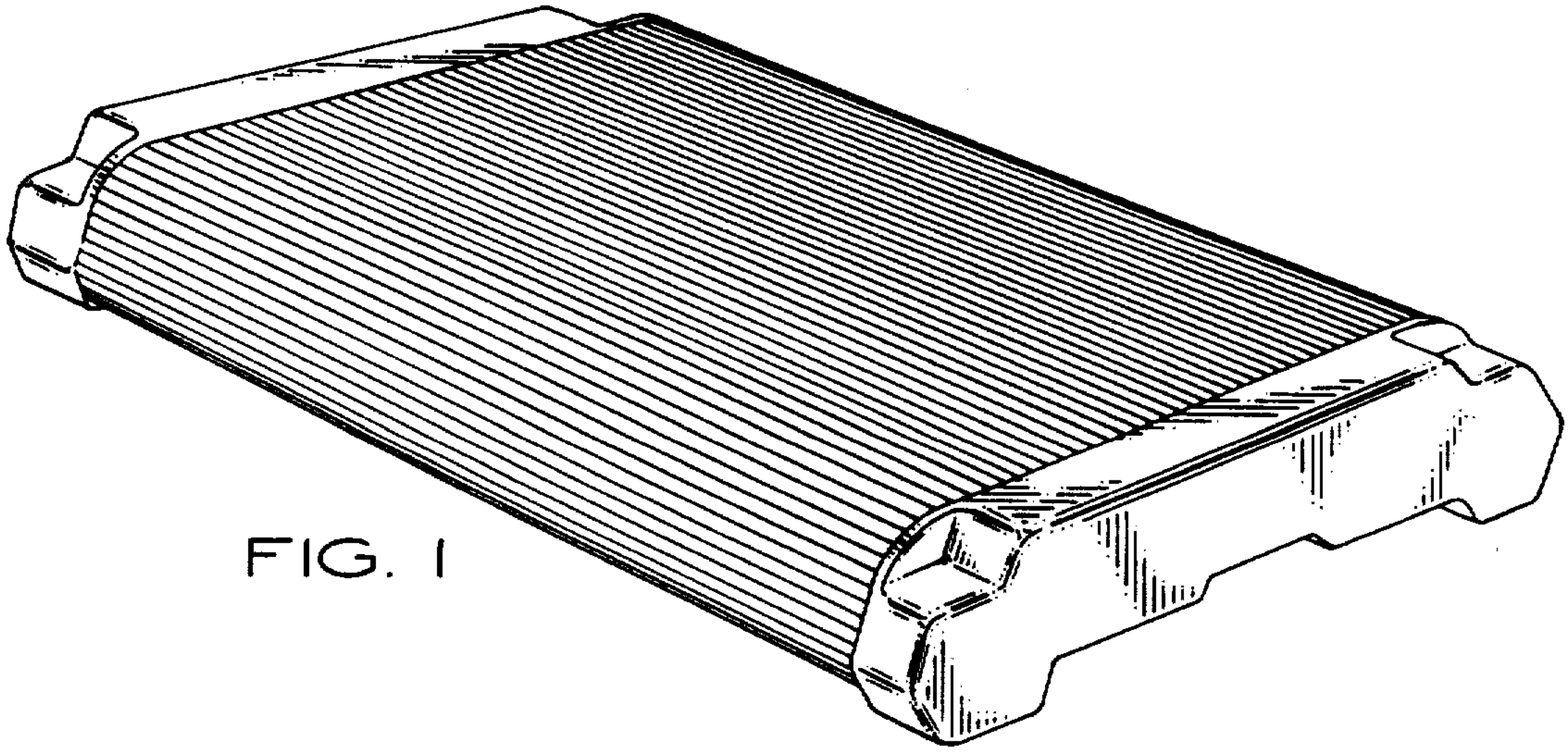


FIG. 1

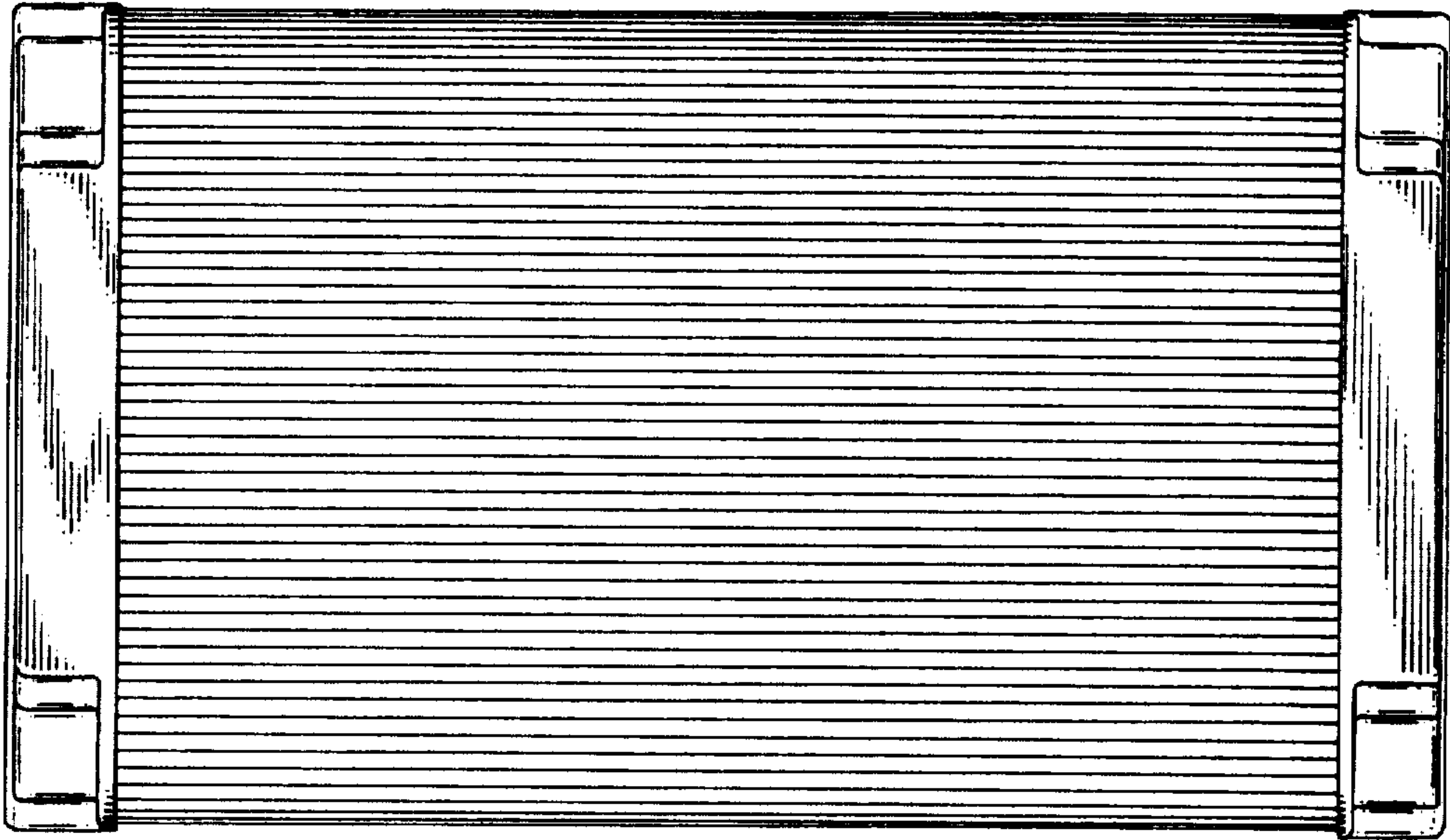


FIG. 2

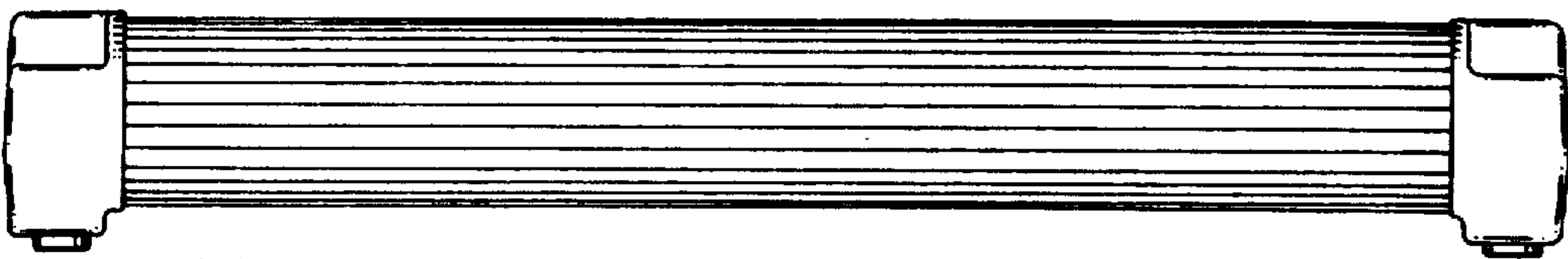


FIG. 3

FIG. 4

