



US00D330234S

United States Patent [19]

[11] Patent Number: Des. 330,234

Saunders et al.

[45] Date of Patent: ** Oct. 13, 1992

[54] AEROBIC STEP BENCH

[75] Inventors: William J. Saunders, Lithonia;
Michael C. Mayne, Conyers, both of Ga.

[73] Assignee: Sports Step, Inc., Marietta, Ga.

[**] Term: 14 Years

[21] Appl. No.: 598,334

[22] Filed: Oct. 16, 1990

[52] U.S. Cl. D21/191

[58] Field of Search D21/191-199;
482/52, 54, 142; 182/120, 228, 106; 248/149,
157; 108/96, 19, 107; D25/65

[56] References Cited

U.S. PATENT DOCUMENTS

D. 194,399	1/1963	De Muth et al.	D25/65
D. 287,283	12/1986	Johnson	D25/65
D. 323,537	1/1992	Wilkenson	D21/191
3,422,923	1/1969	Lund	182/120
4,844,199	7/1989	Nimz	182/106
5,014,818	5/1991	Schulz	182/228

Primary Examiner—Charles A. Rademaker

Attorney, Agent, or Firm—Needle & Rosenberg

[57] CLAIM

The ornamental design for an aerobic step bench, as shown and described.

DESCRIPTION

FIG. 1 is a perspective view of an aerobic step bench showing our new design;

FIG. 2 is a top plan view thereof;

FIG. 3 is a side elevational view thereof the side opposite being a mirror image;

FIG. 4 is a bottom plan view thereof;

FIG. 5 is an end elevational view thereof, the end opposite being a mirror image;

FIG. 6 is a perspective view of a modified embodiment of the design shown in FIGS. 1 through 6;

FIG. 7 is a top plan view thereof;

FIG. 8 is a side elevational view thereof, the side opposite being a mirror image;

FIG. 9 is a bottom plan view thereof;

FIG. 10 is an end elevational view thereof, the end opposite being a mirror image;

FIG. 11 is a perspective view of a second modified embodiment of the design shown in FIGS. 1 through 6;

FIG. 12 is a top plan view thereof;

FIG. 13 is a side elevational view thereof, the side opposite being a mirror image;

FIG. 14 is a bottom plan view thereof;

FIG. 15 is an end elevational view thereof, the end opposite being a mirror image;

FIG. 16 is a perspective view of a third modified embodiment of the design shown in FIGS. 1 through 6;

FIG. 17 is a top plan view thereof;

FIG. 18 is a side elevational view thereof, the side opposite being a mirror image;

FIG. 19 is a bottom plan view thereof;

FIG. 20 is an end elevational view thereof, the end opposite being a mirror image;

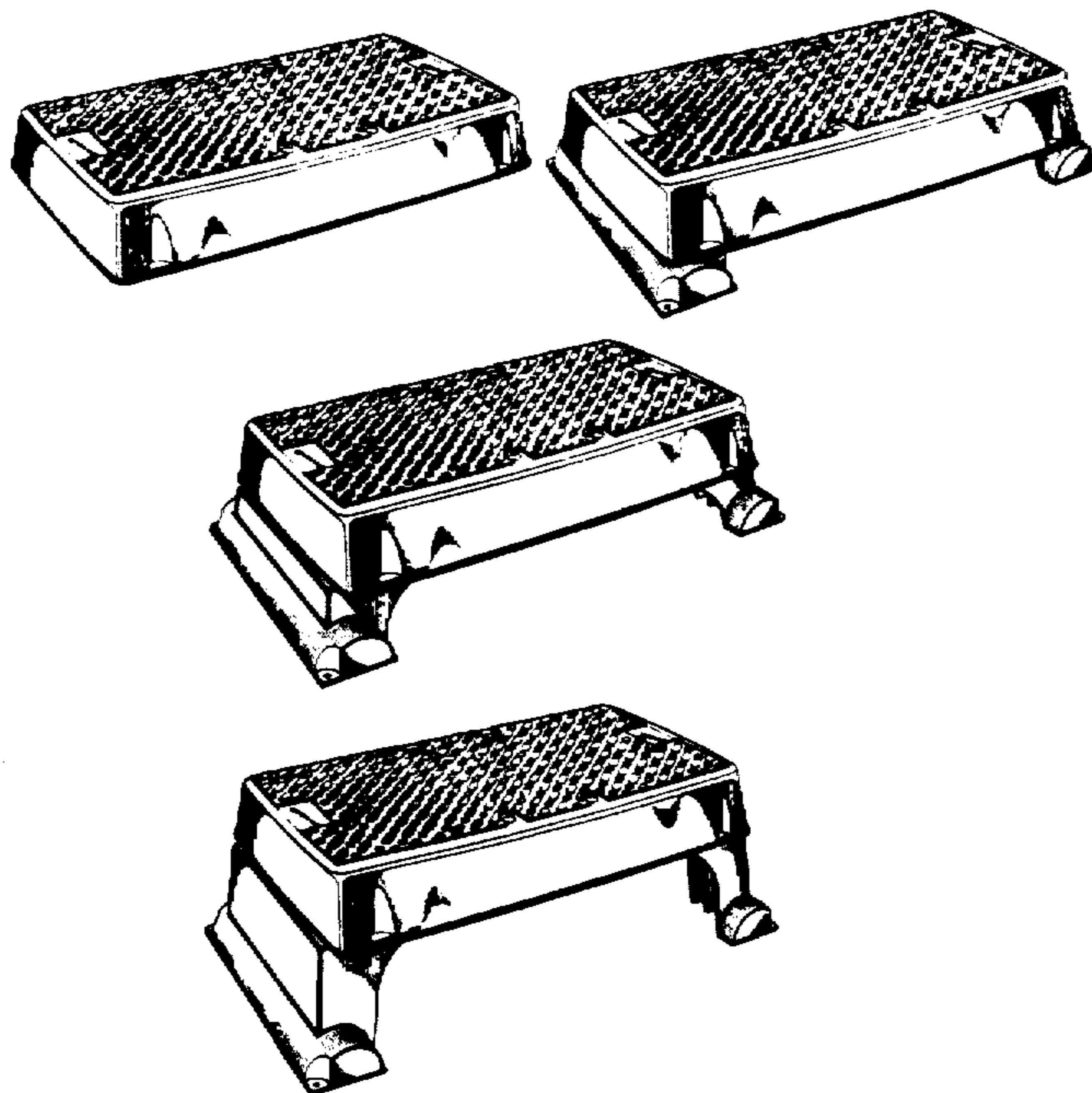
FIG. 21 is a perspective view of a fourth modified embodiment of the design shown in FIGS. 1 through 6;

FIG. 22 is a top plan view thereof;

FIG. 23 is a side elevational view thereof, the side opposite being a mirror image;

FIG. 24 is a bottom plan view thereof; and,

FIG. 25 is an end elevational view thereof, the end opposite being a mirror image.



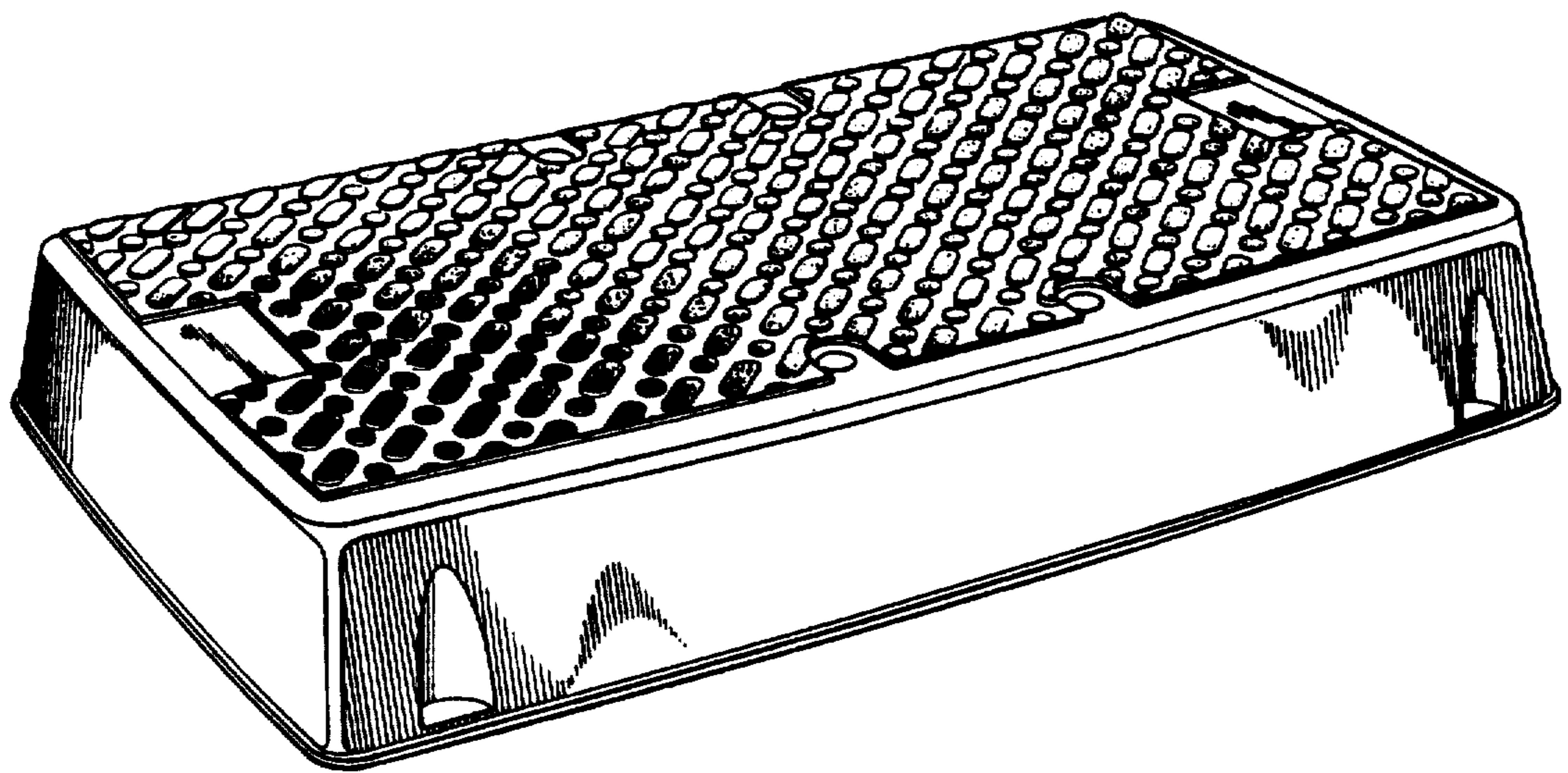


FIG 1

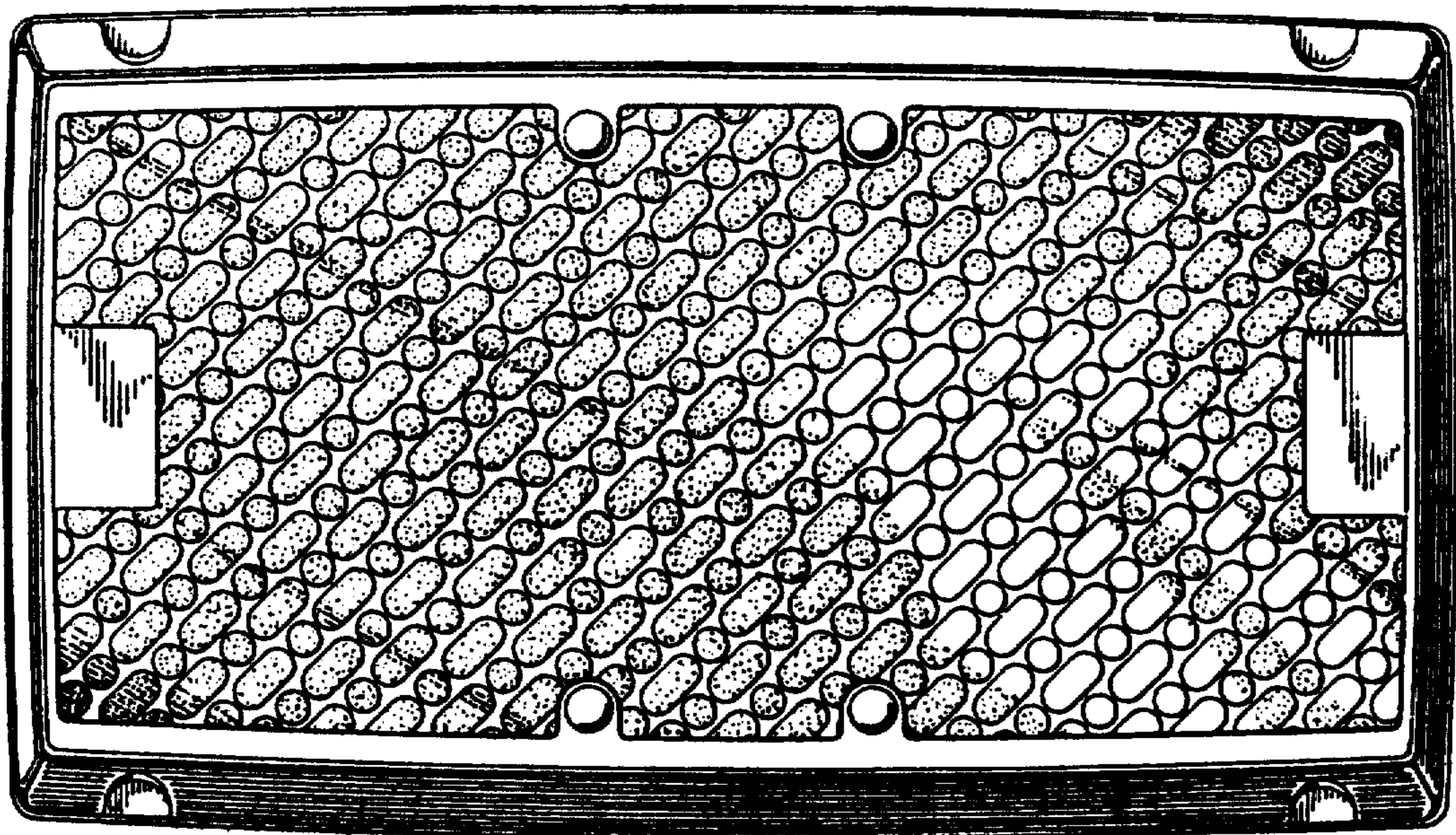


FIG 2



FIG 3

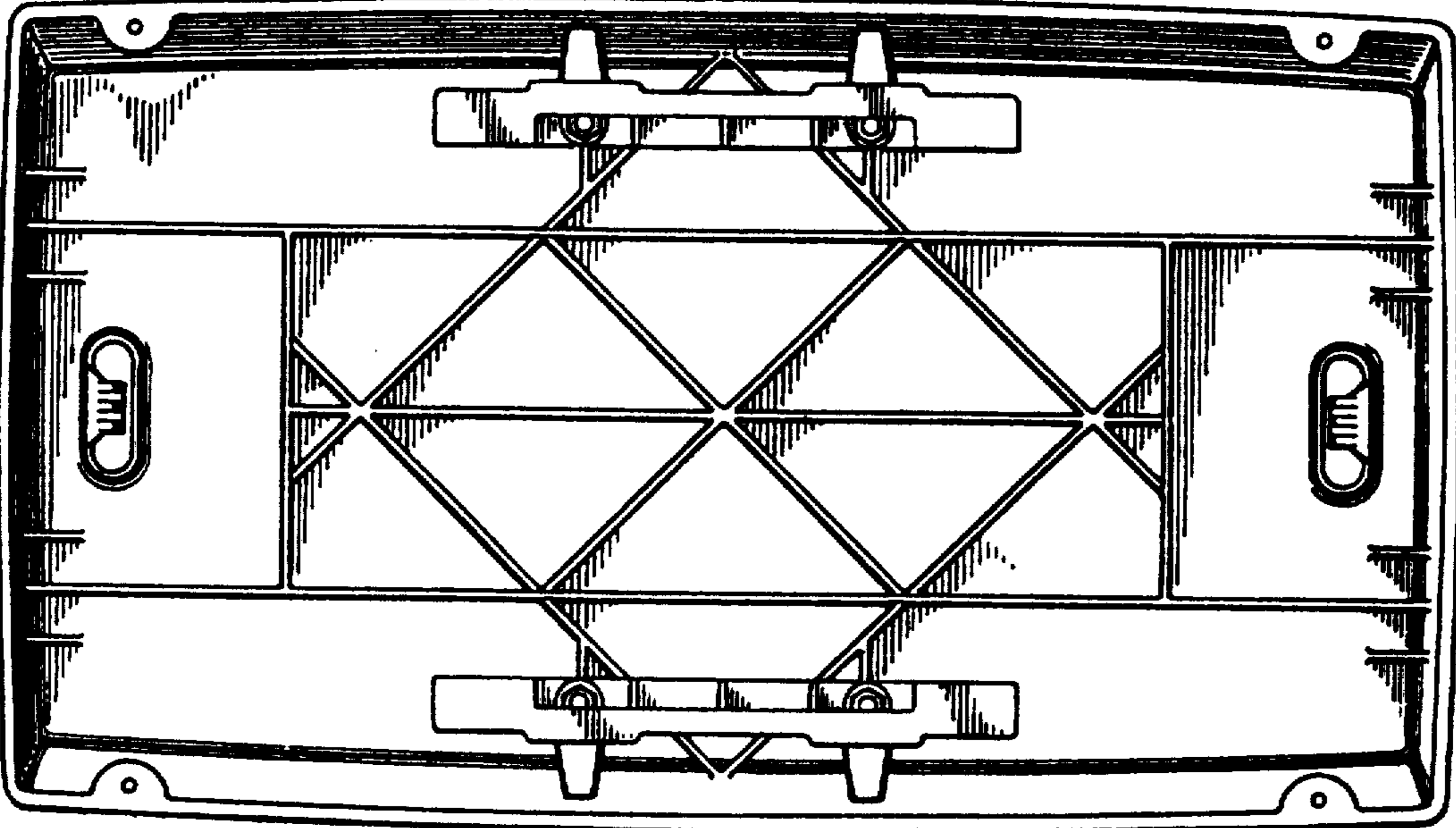


FIG 4



FIG 5

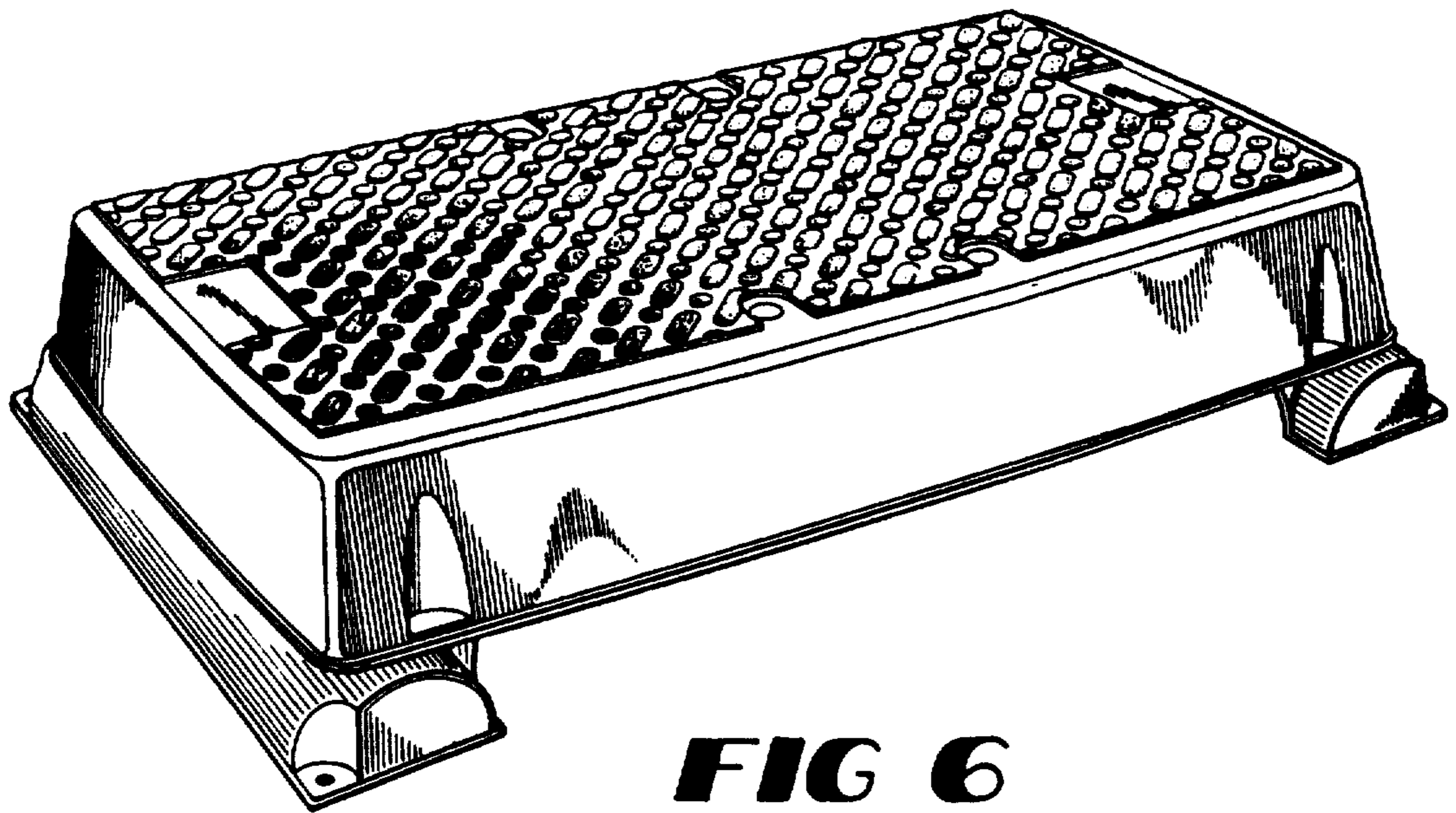


FIG 6

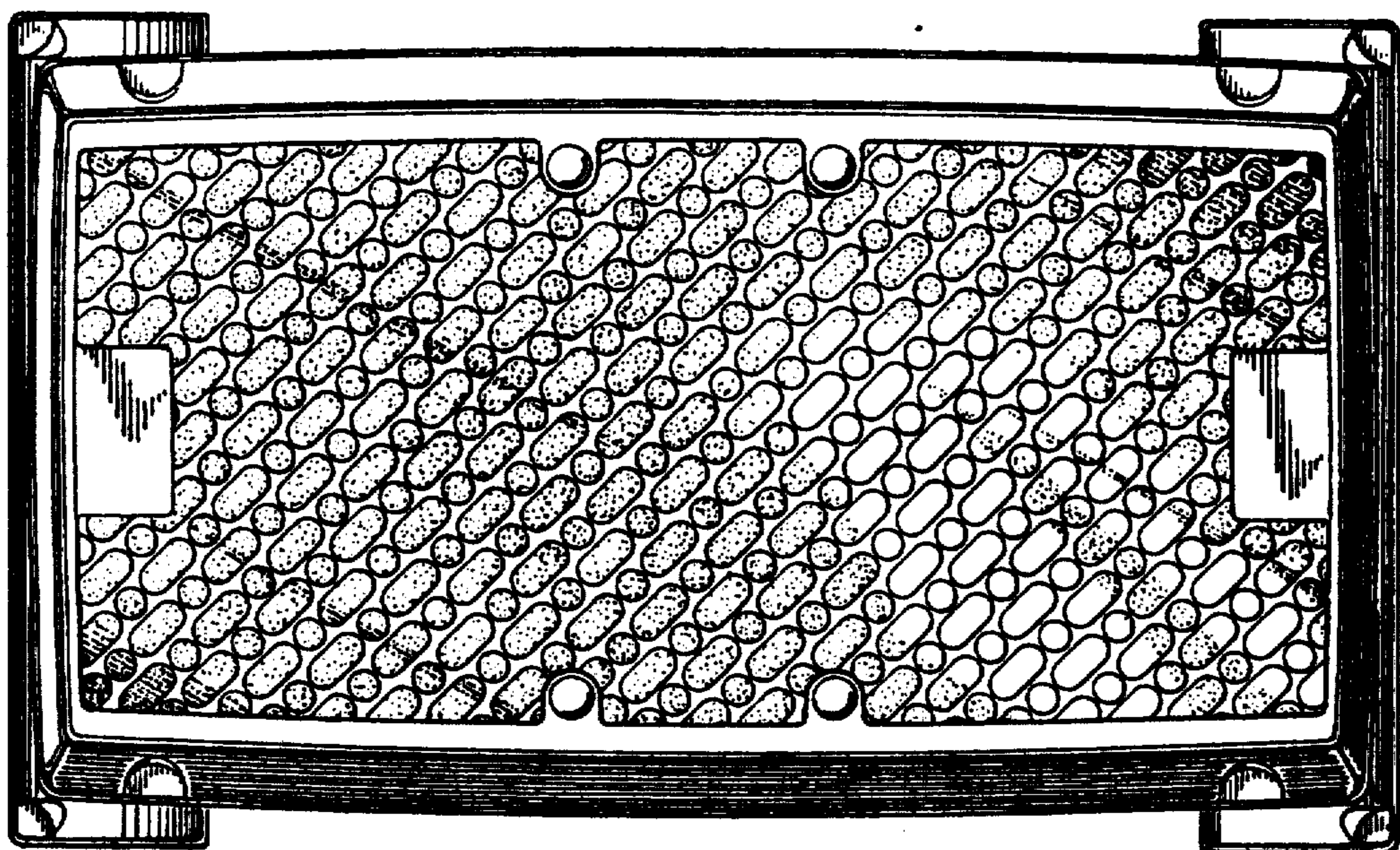


FIG 7

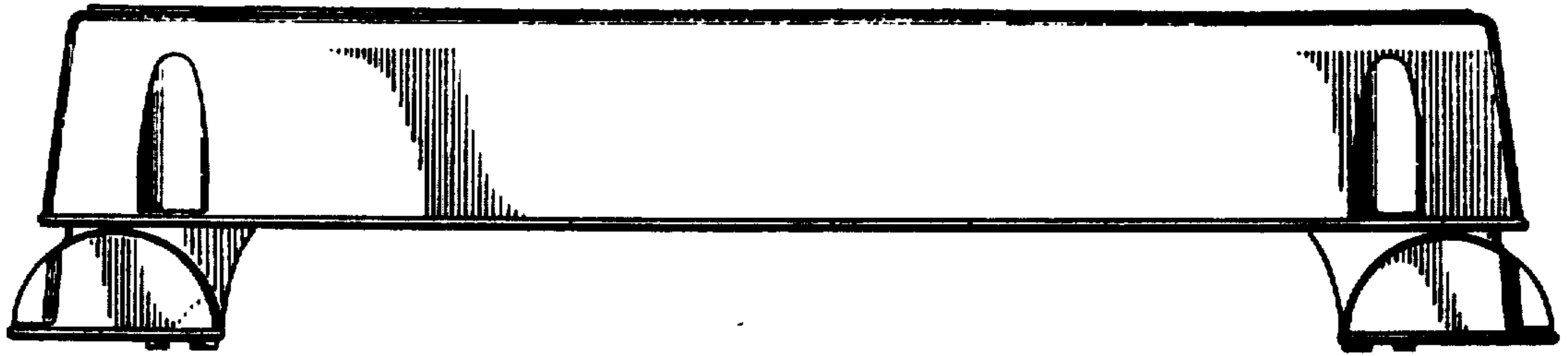


FIG 8

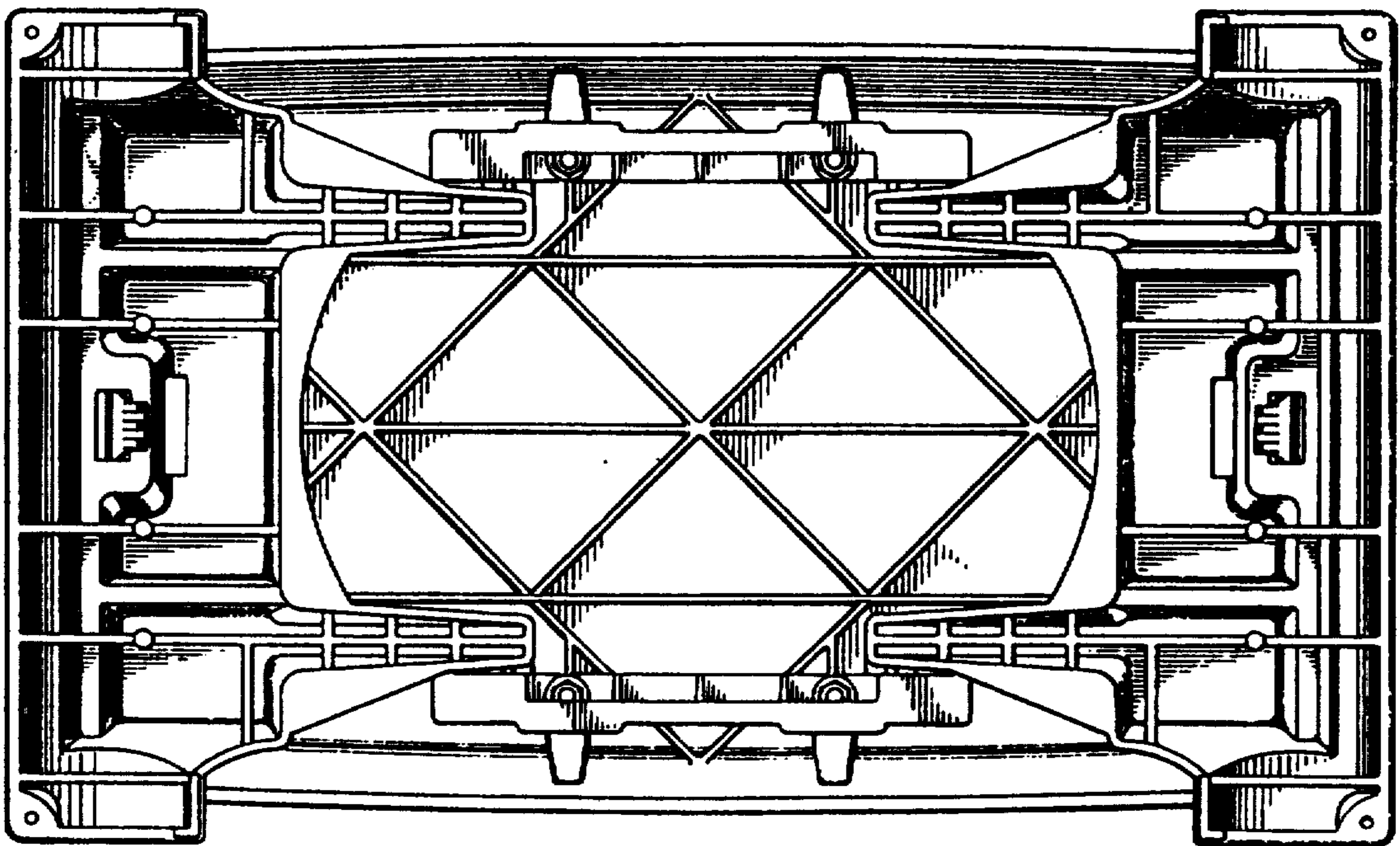


FIG 9

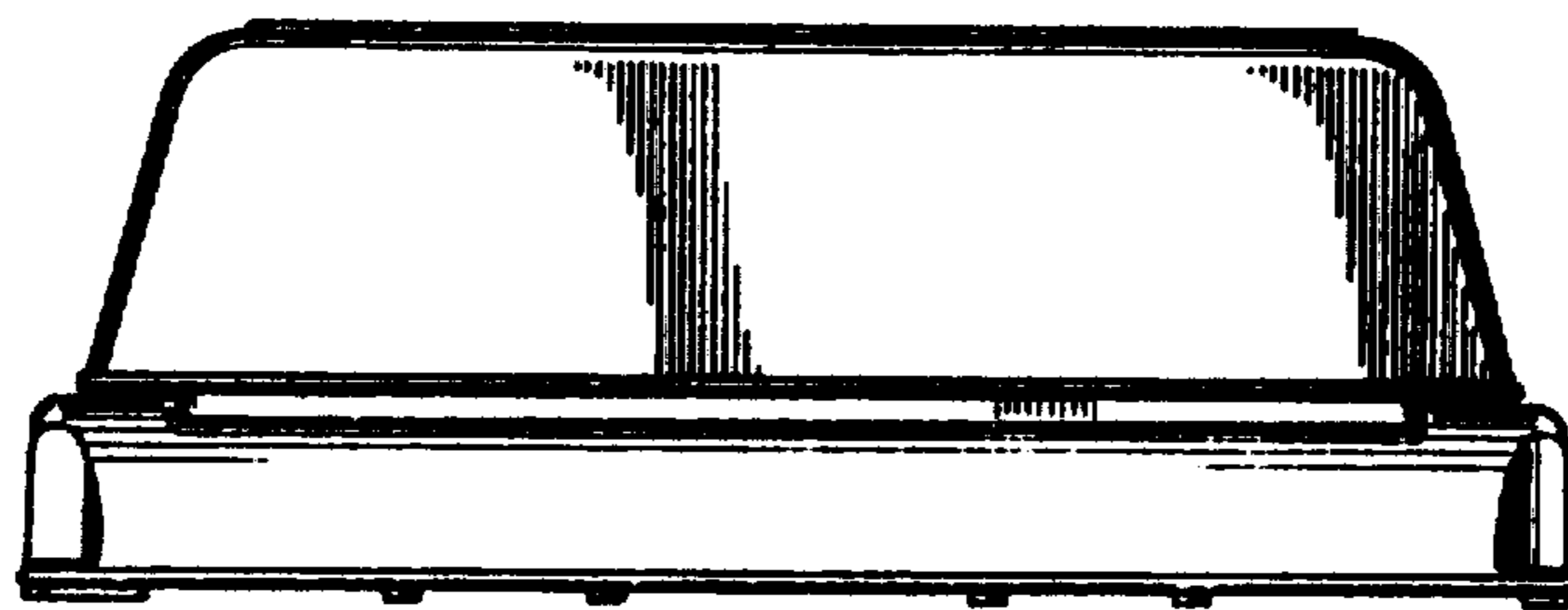


FIG 10

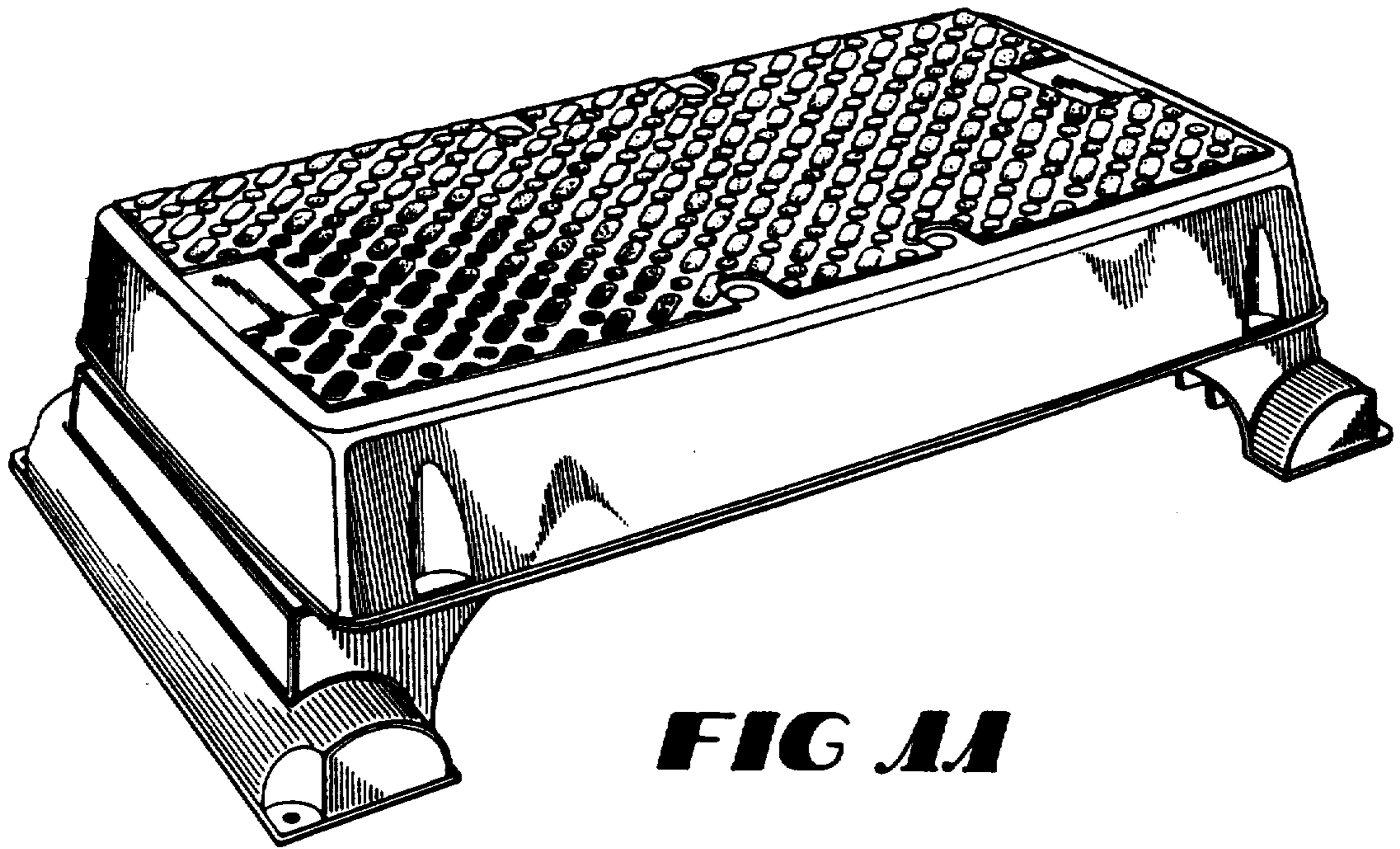


FIG 11

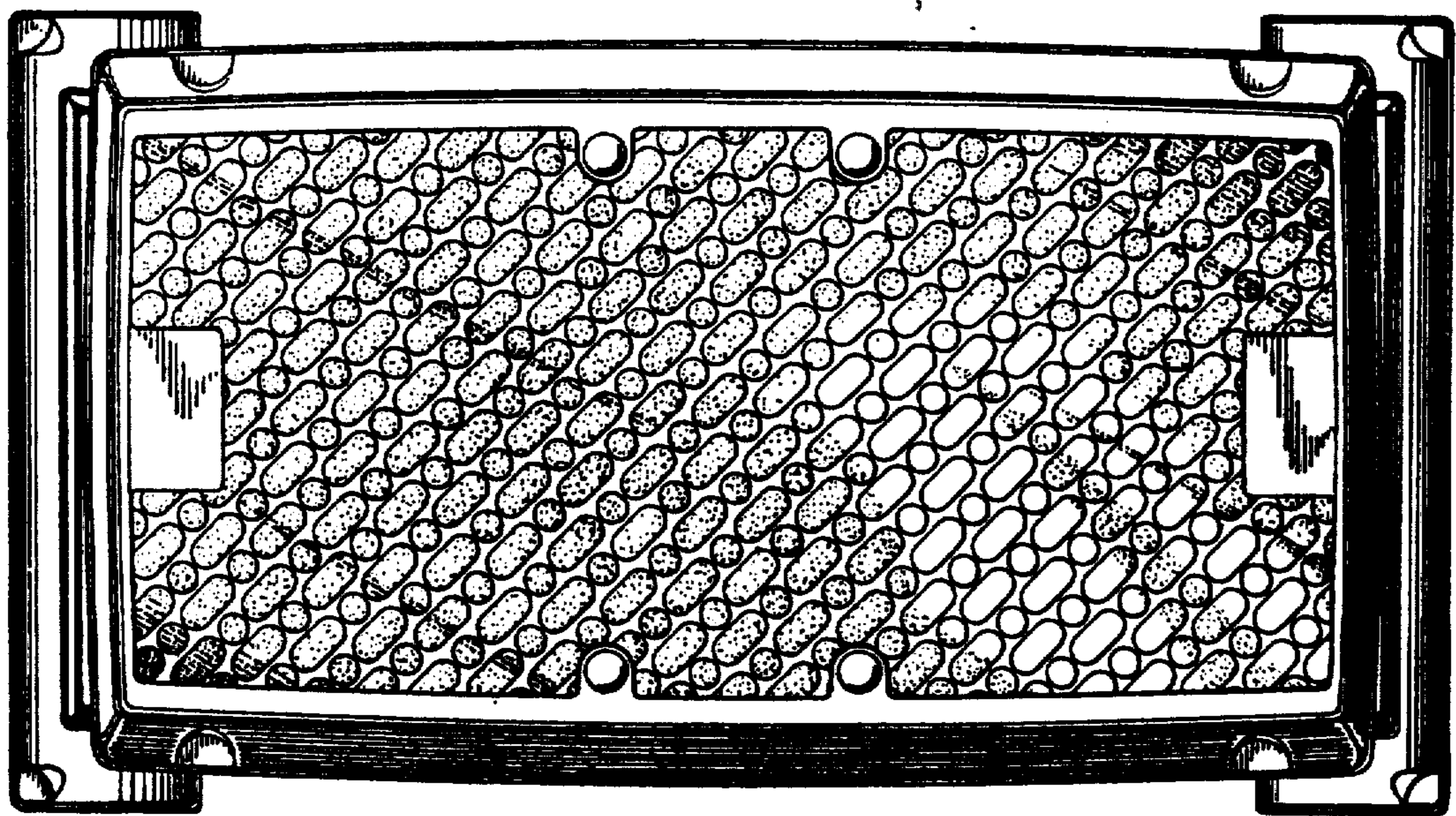


FIG 12

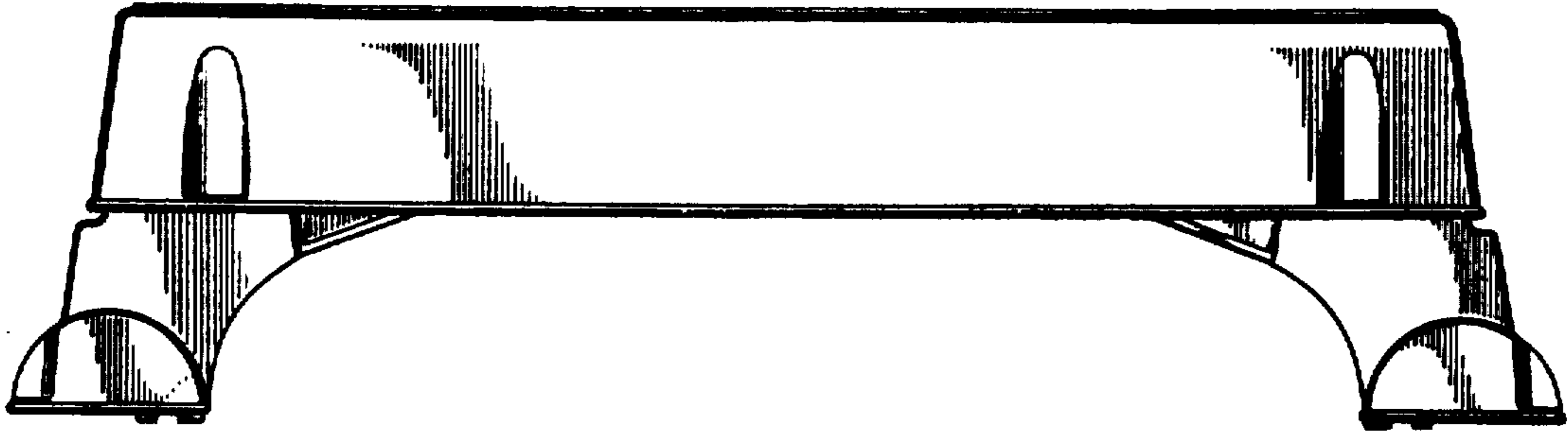


FIG 13

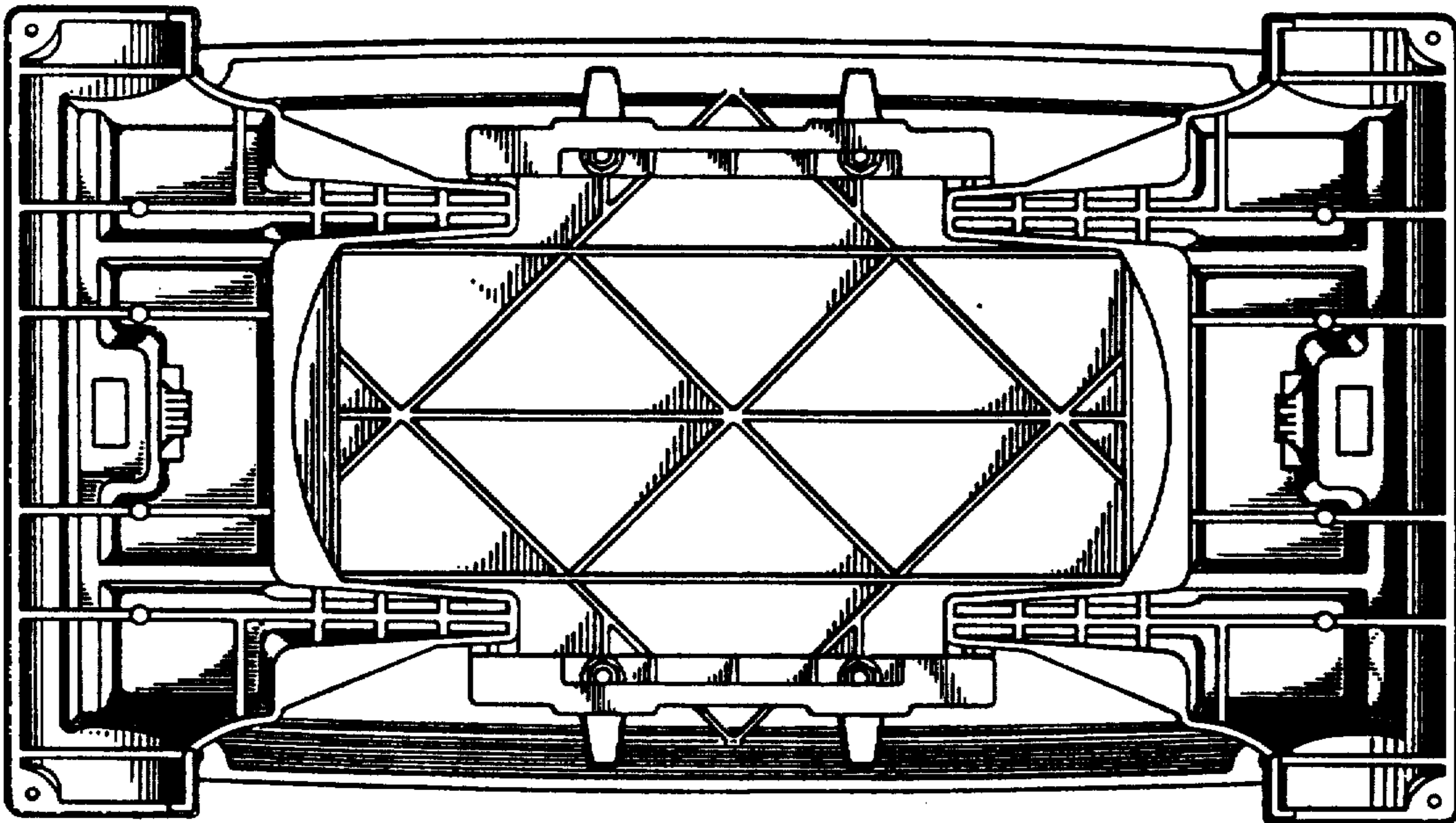


FIG 14

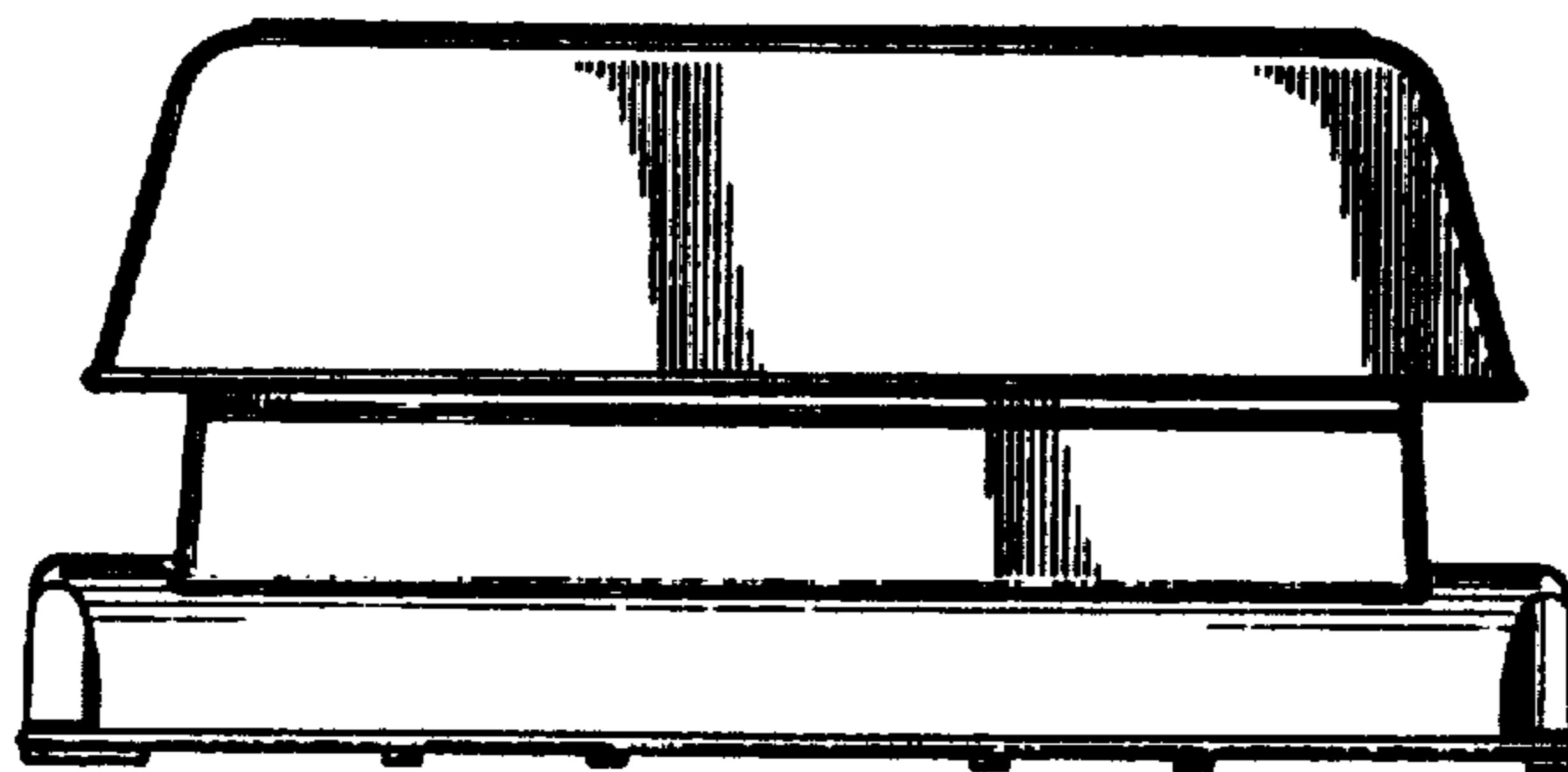


FIG 15

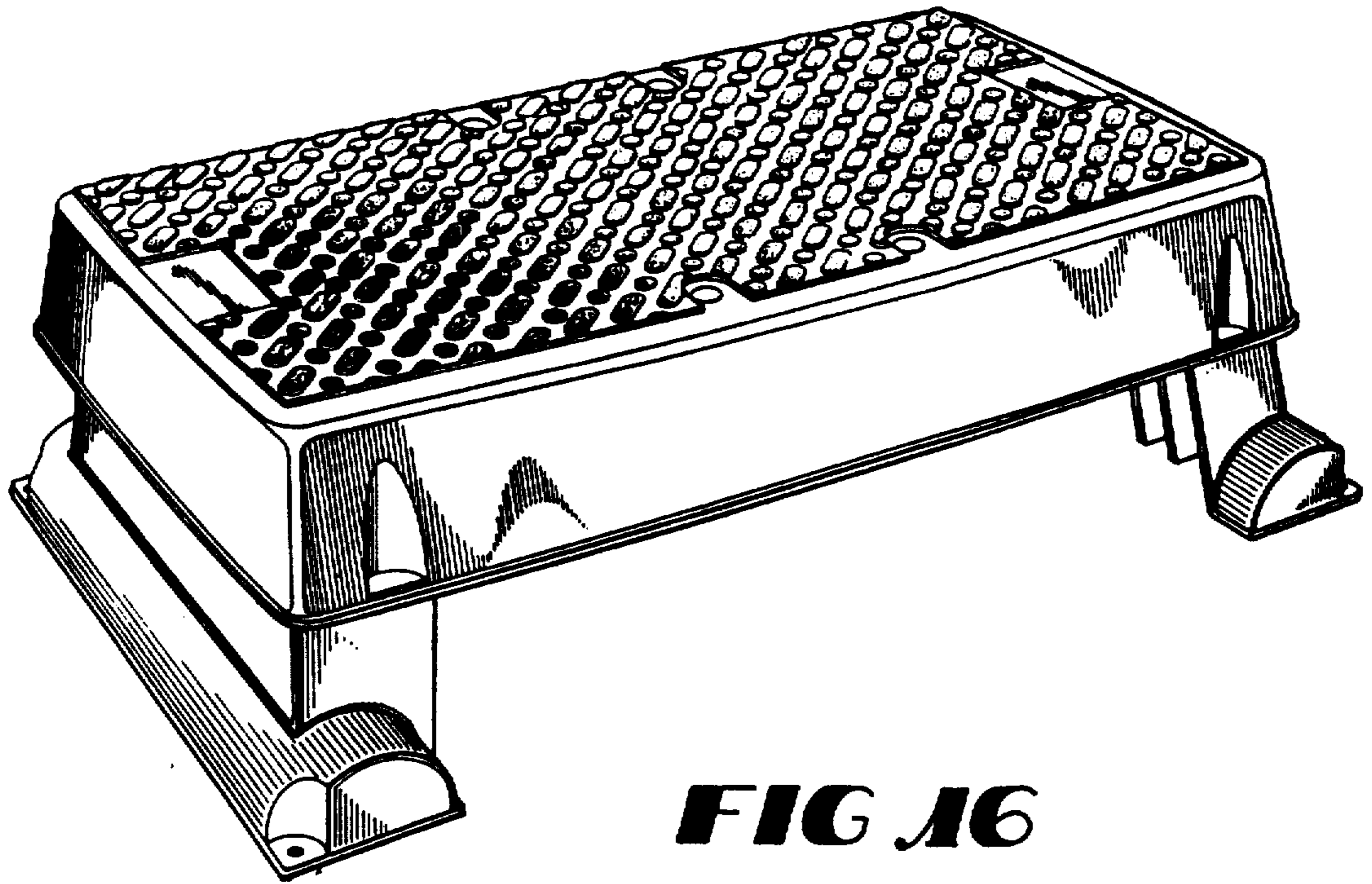


FIG 16

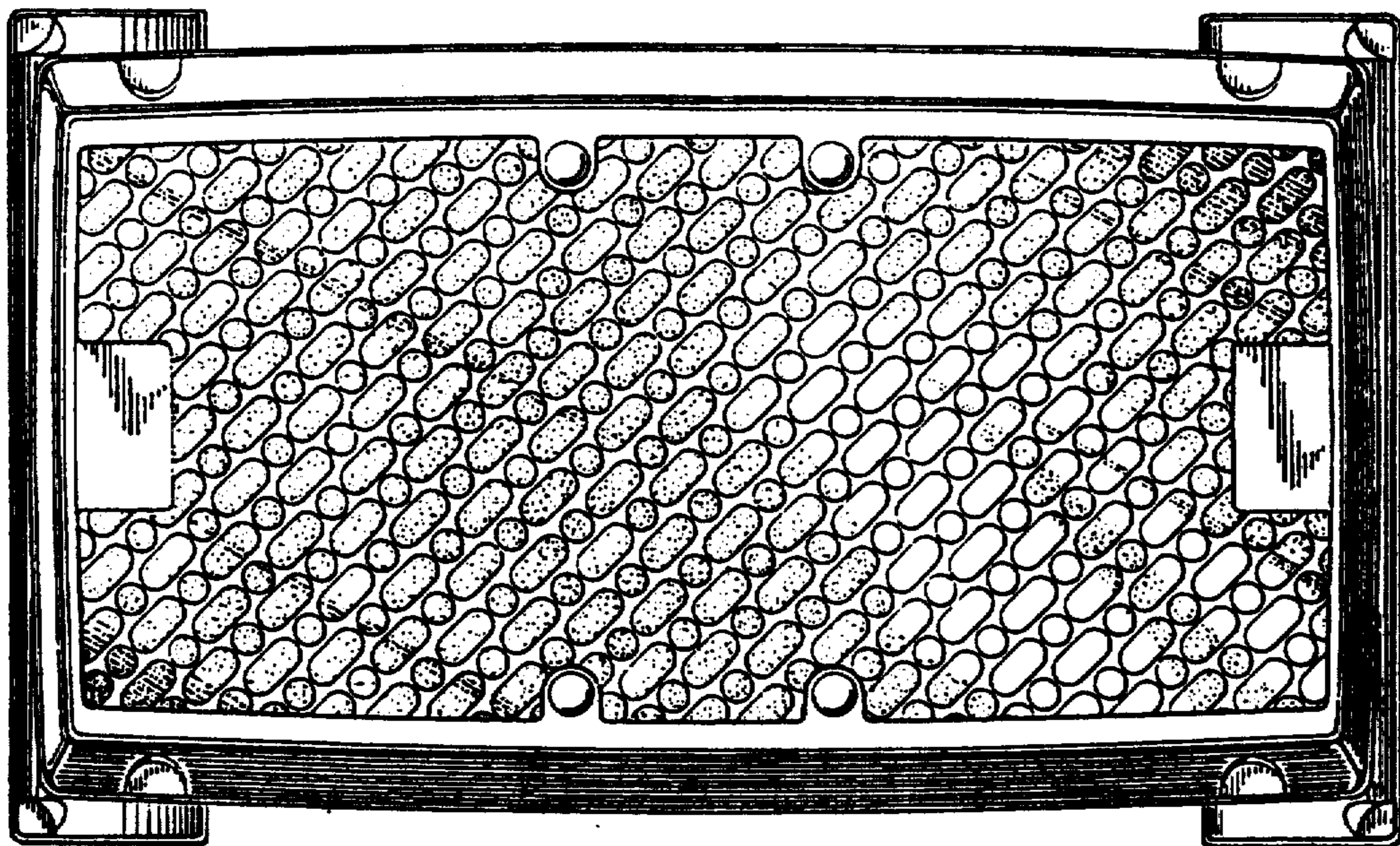


FIG 17

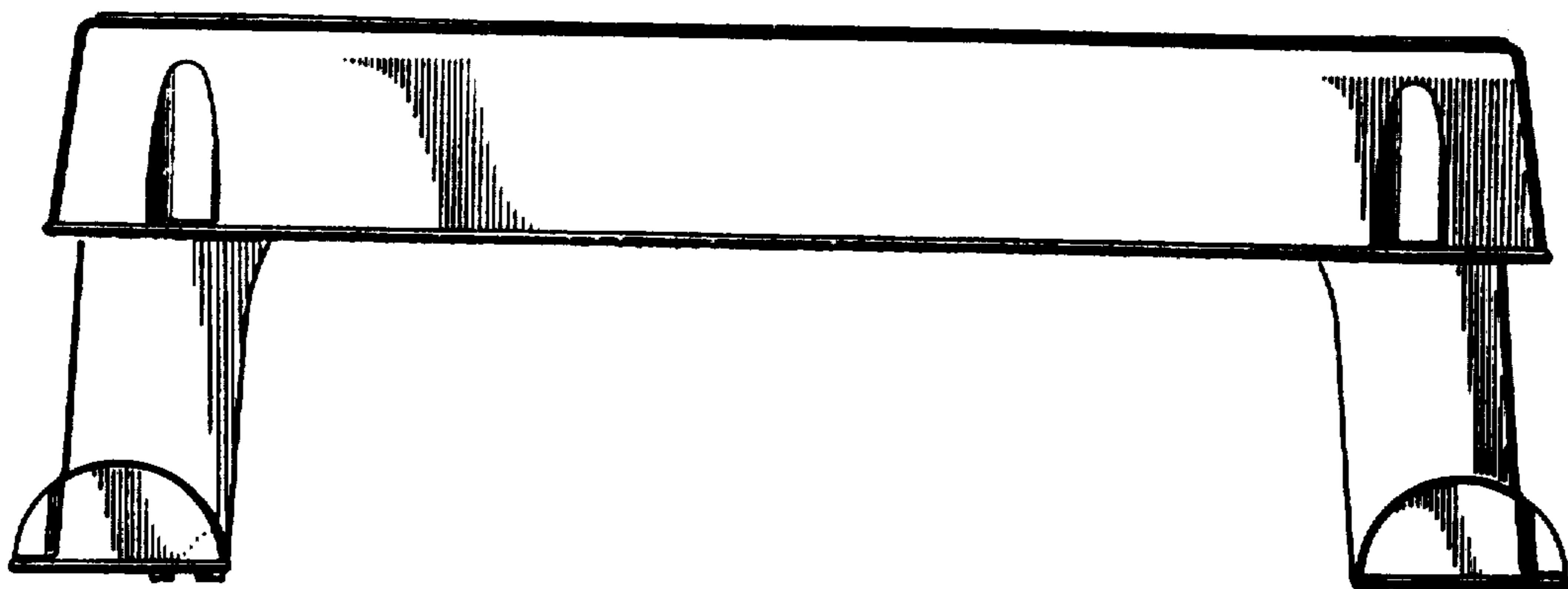


FIG 18

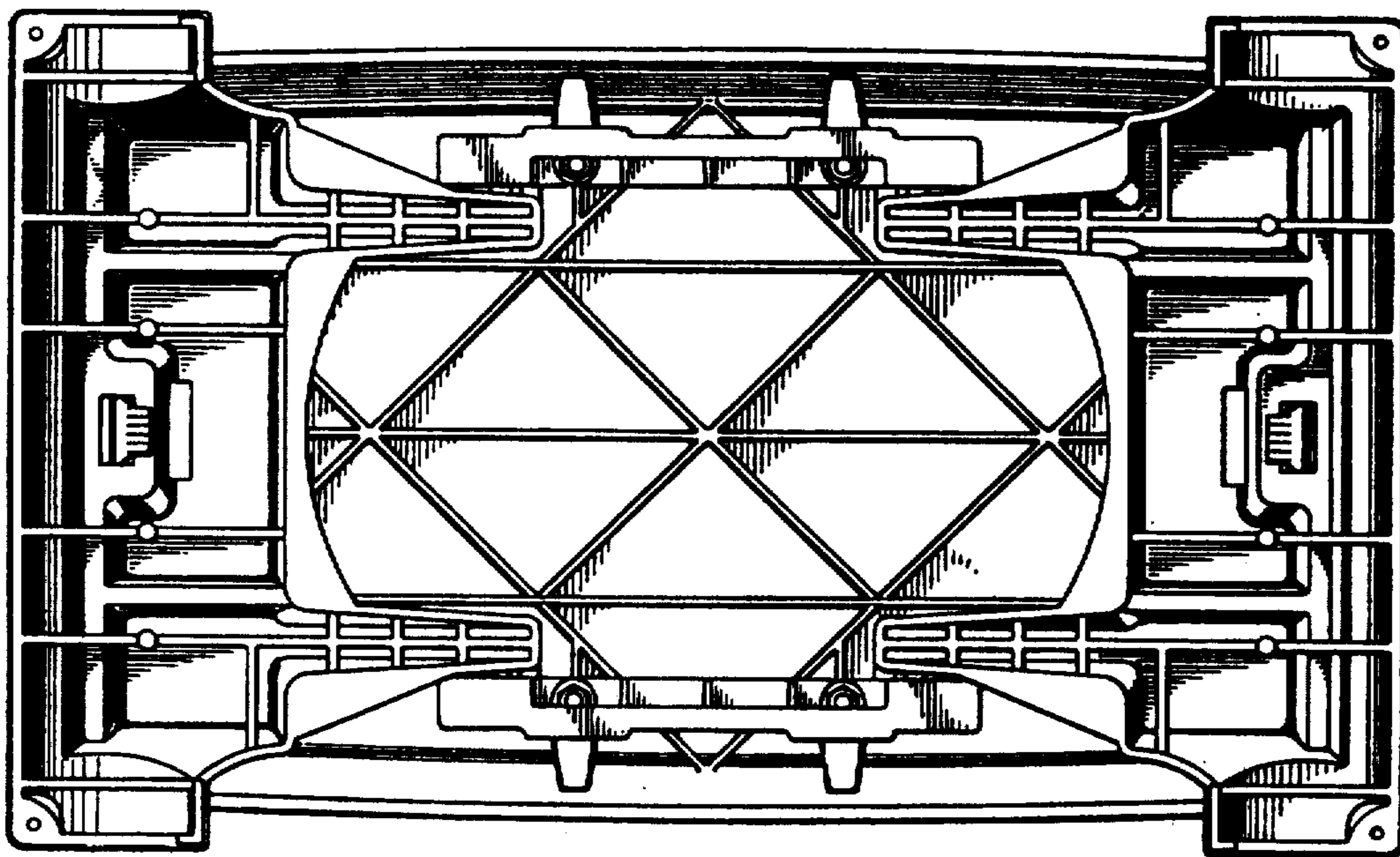


FIG 19

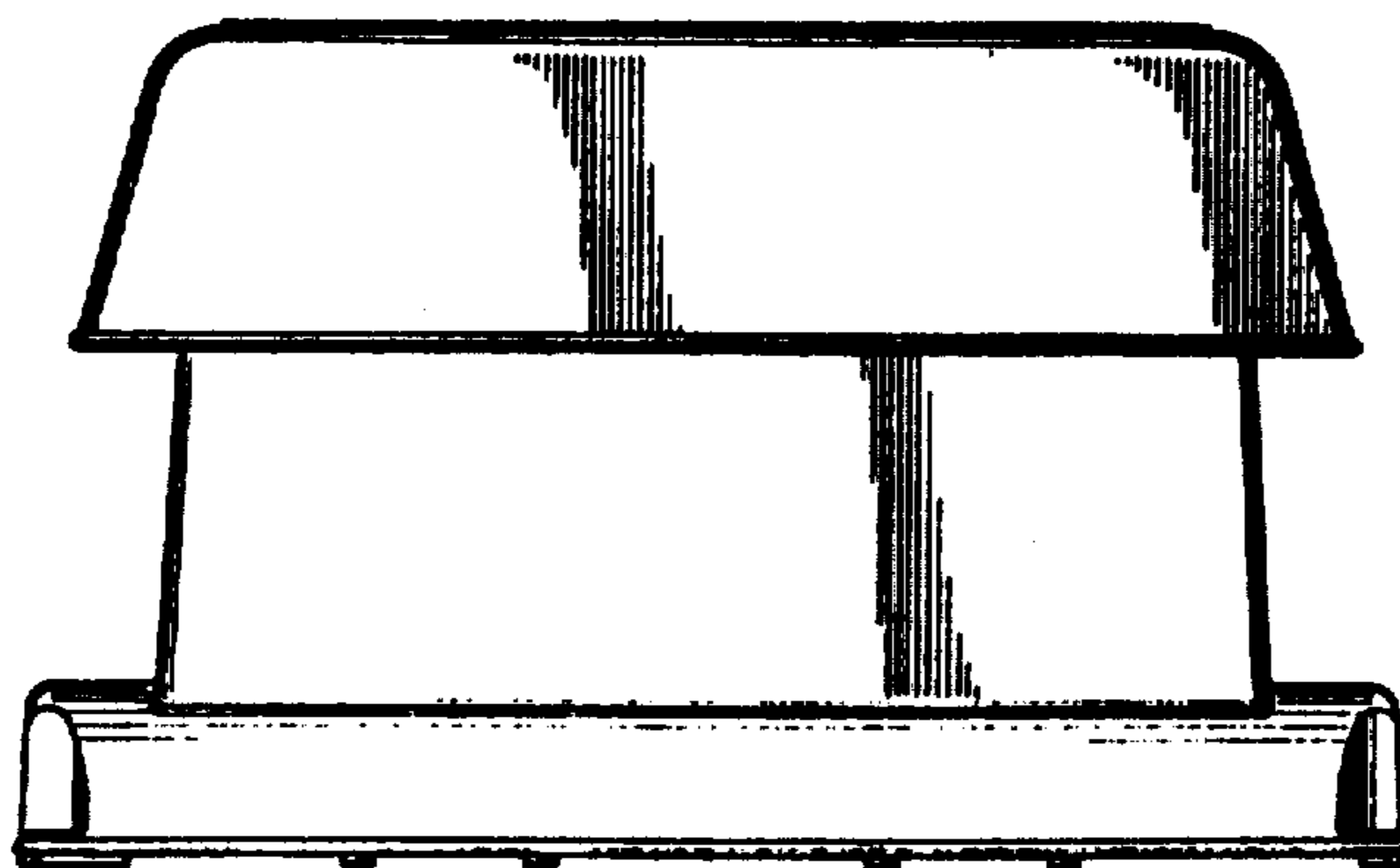


FIG 20

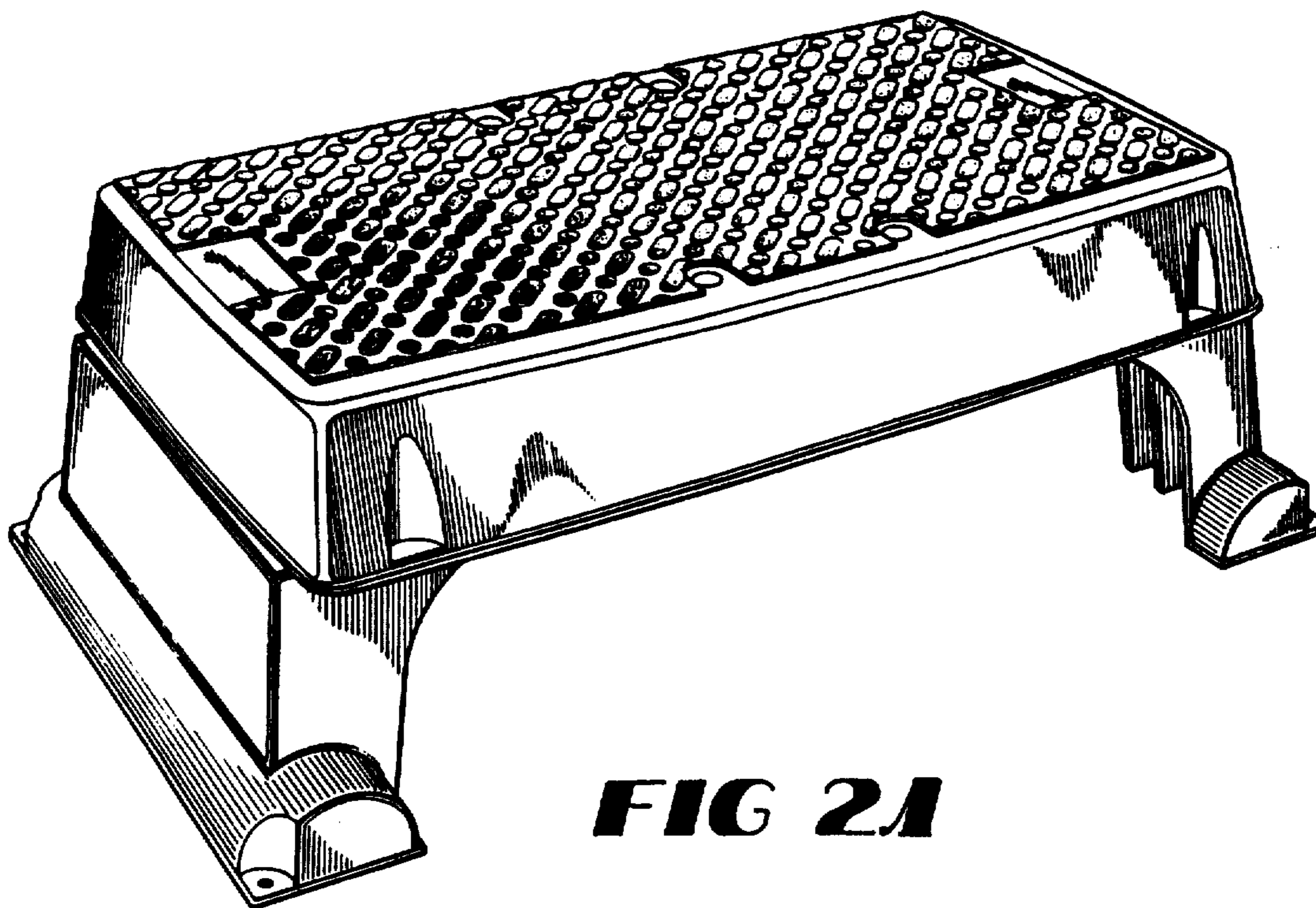


FIG 21

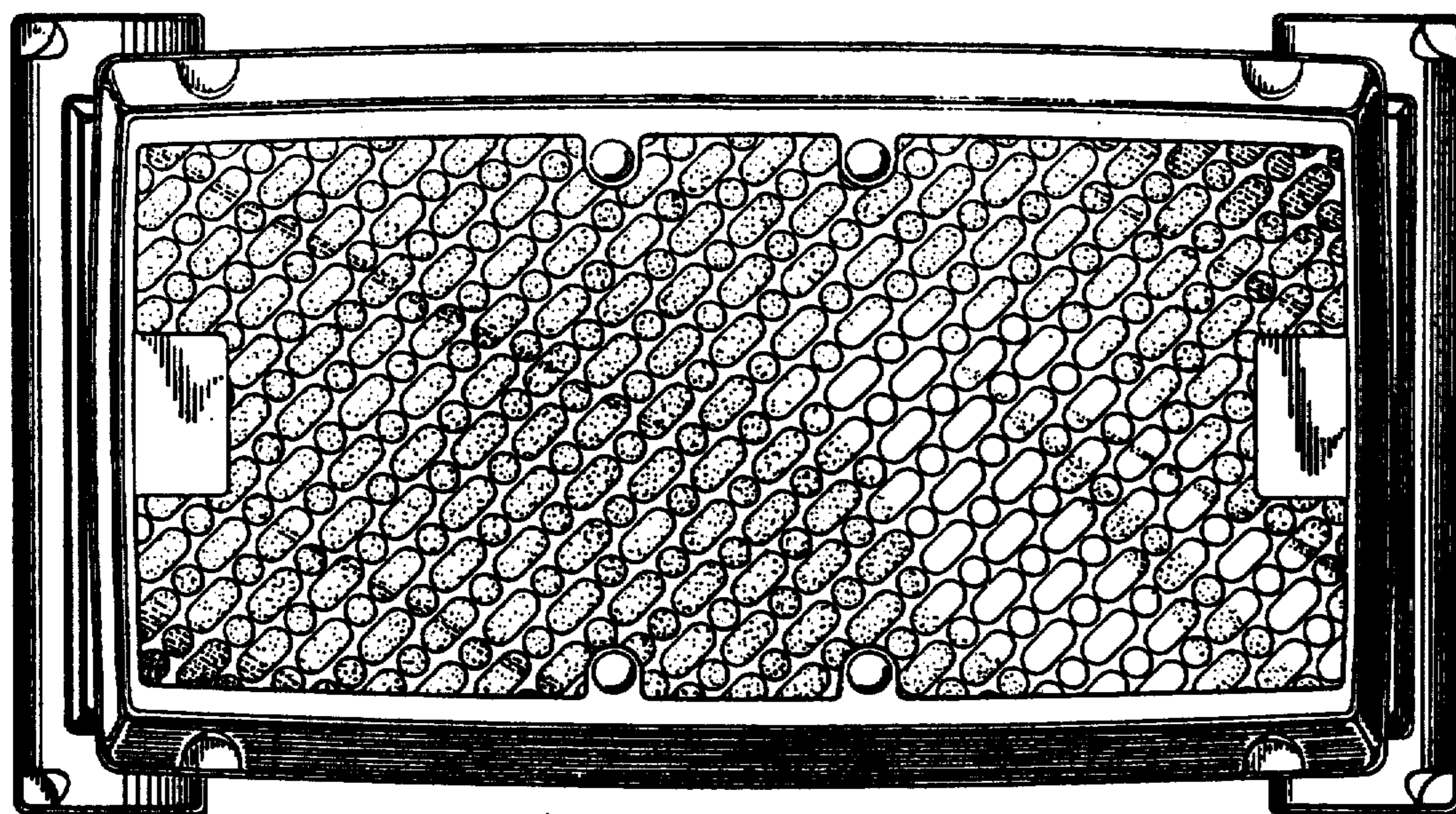


FIG 22

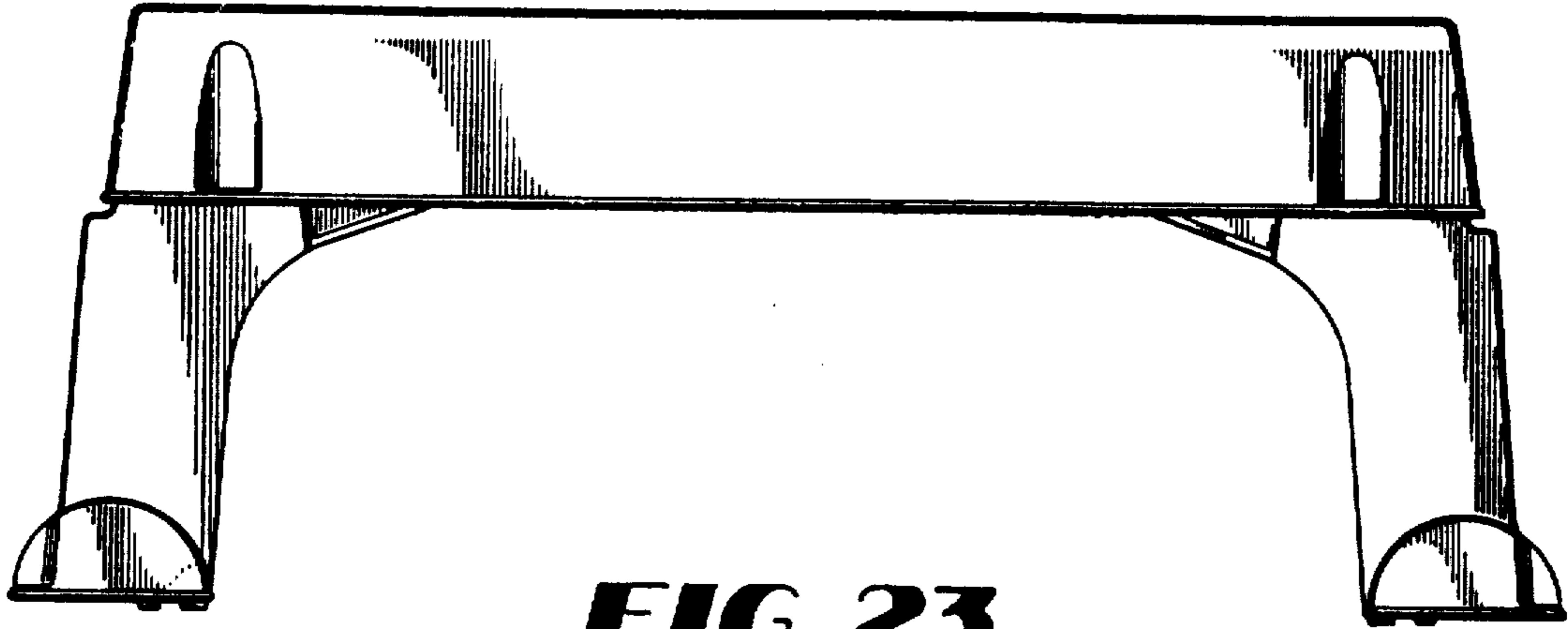


FIG 23

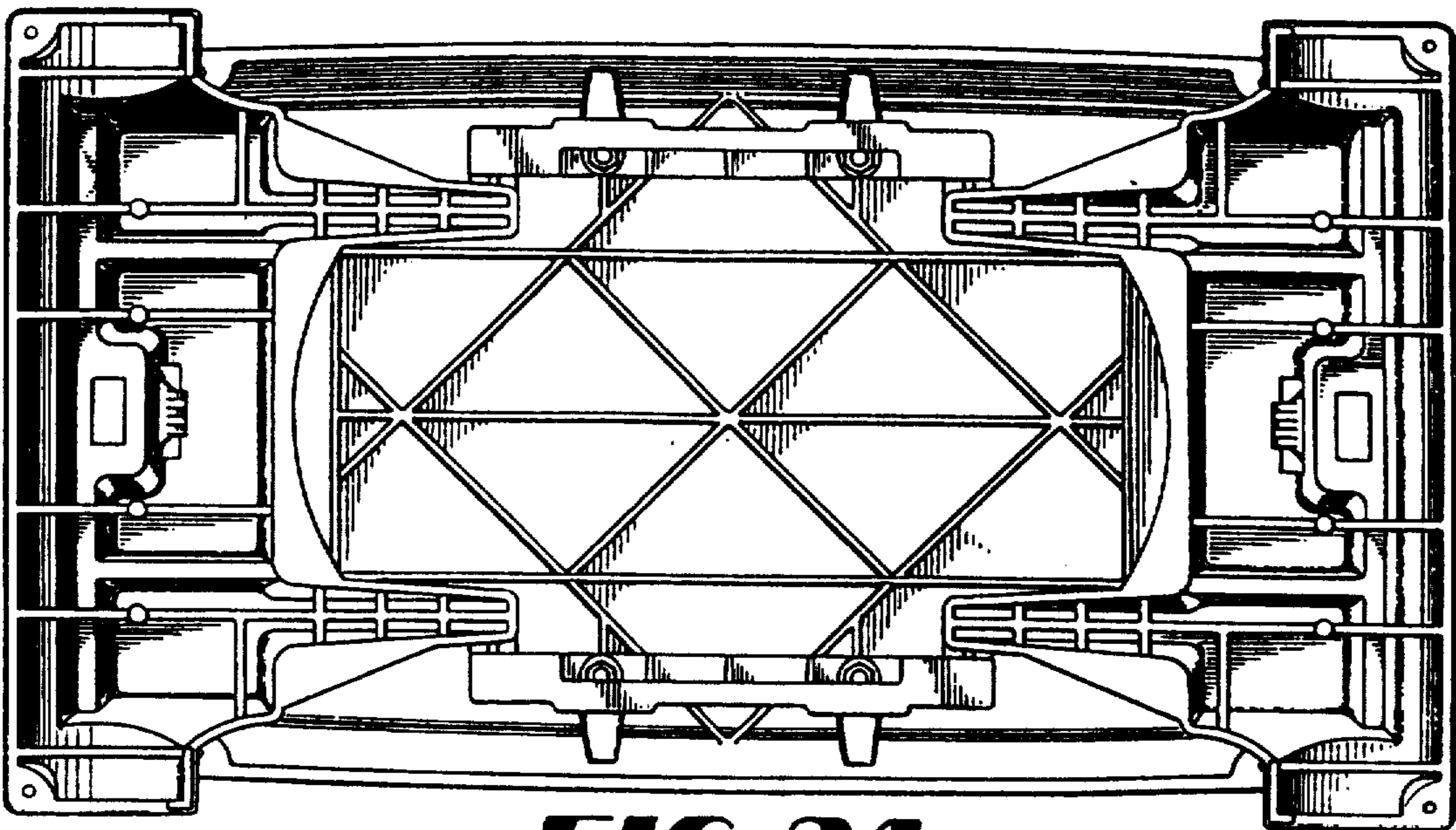


FIG 24

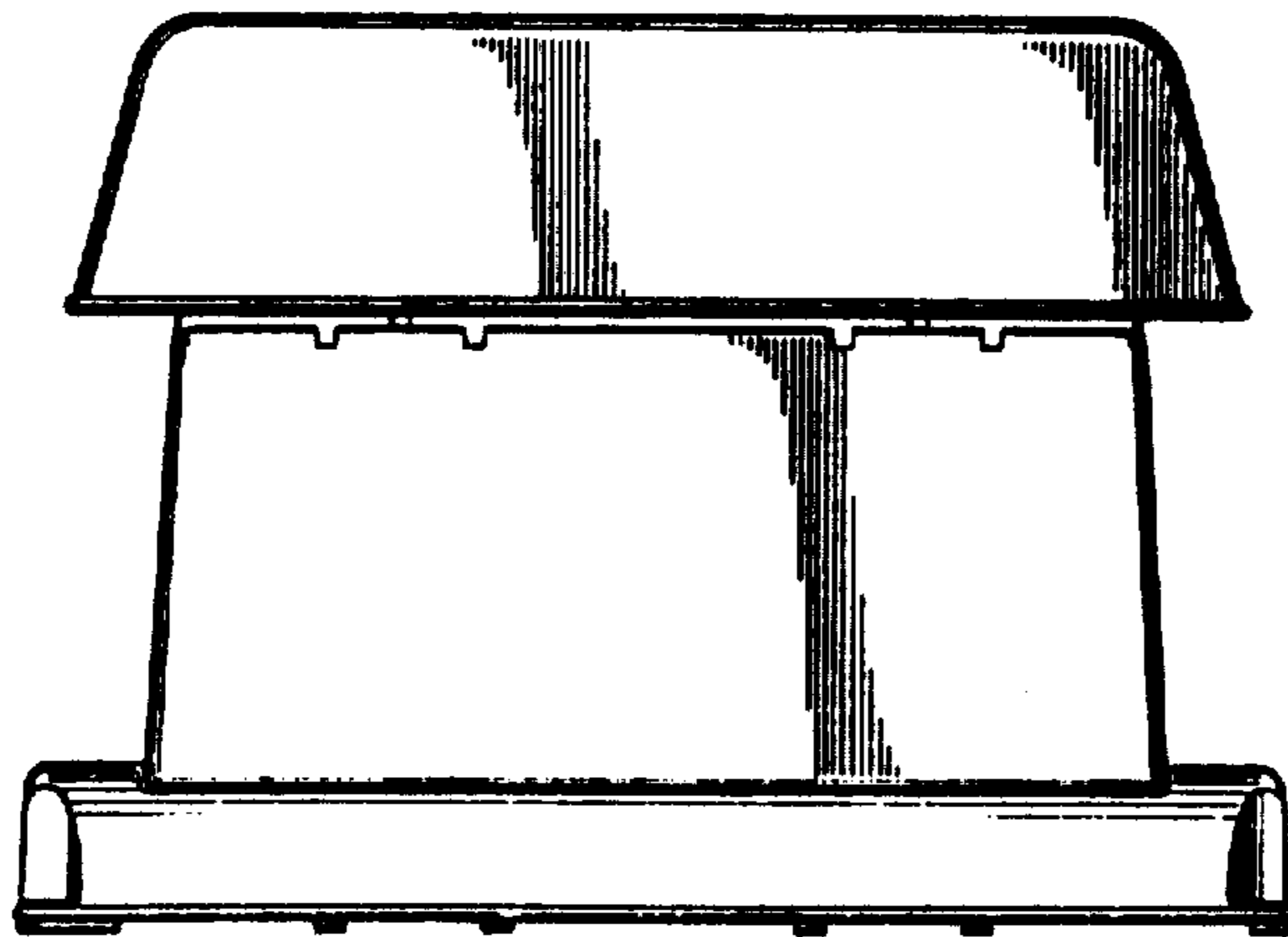


FIG 25