



US00D330229S

United States Patent [19]
Maldeney, II

[11] **Patent Number: Des. 330,229**
[45] **Date of Patent: ** Oct. 13, 1992**

[54] **SHUFFLEBOARD CABINET**

[75] **Inventor: Robert F. Maldeney, II, Huntertown, Ind.**

[73] **Assignee: Playfair Shuffleboard Co., Inc., Ft. Wayne, Ind.**

[**] **Term: 14 Years**

[21] **Appl. No.: 537,275**

[22] **Filed: Jun. 14, 1990**

[52] **U.S. Cl. D21/14**

[58] **Field of Search D21/7, 11, 14-36, D21/232; 273/2, 3 R, 3 C, 126 R, 236-285**

[56] **References Cited**

U.S. PATENT DOCUMENTS

- D. 235,669 7/1975 Le Mieux D21/16
- D. 245,359 8/1977 Wilke D21/7
- D. 285,943 9/1986 Sadleir D21/11
- D. 319,860 9/1991 Ascher D21/232

OTHER PUBLICATIONS

- Merchanising Oct. 1981 p. 28 Shuffleboard Table, right.
- Play Meter, Jan. 1989, p. 22 Shuffleboard Table, bottom.
- Royal Shuffleboard, American Shuffleboard Co., Union City, N.J., Brochure, undated.
- The Eagle Shuffleboard, American Shuffleboard Co., Union City, N.J., Brochure, undated.

- Royal Cushion, American Shuffleboard Co., Union City, N.J., Brochure, undated.
- Royal 9 Foot Cushion Shuffleboard, American Shuffleboard Co., Union City, N.J., Brochure, undated.
- Playfair Shuffleboard, Playfair Shuffleboard Co., Inc., Ft. Wayne, Ind., Brochure, undated.
- Custom-Designed Shuffleboard, Playfair Shuffleboard Co., Inc., Ft. Wayne, Ind., Replay Magazine, Dec., 1989, p. 214.
- Classic Shuffleboard, Classic Wood Products, Columbia City, Ind., Replay Magazine, Dec., 1989, p. 212.
- Cushion Shuffleboard, American Shuffleboard Co., Union City, N.J., Replay Magazine, Dec., 1989, p. 212.
- Royal Longboard, American Shuffleboard Co., Union City, N.J., Replay Magazine, Dec., 1989, p. 212.
- Classic III Shuffleboard, Classic Wood Products, Inc., Columbia City, Ind., Brochure, undated.

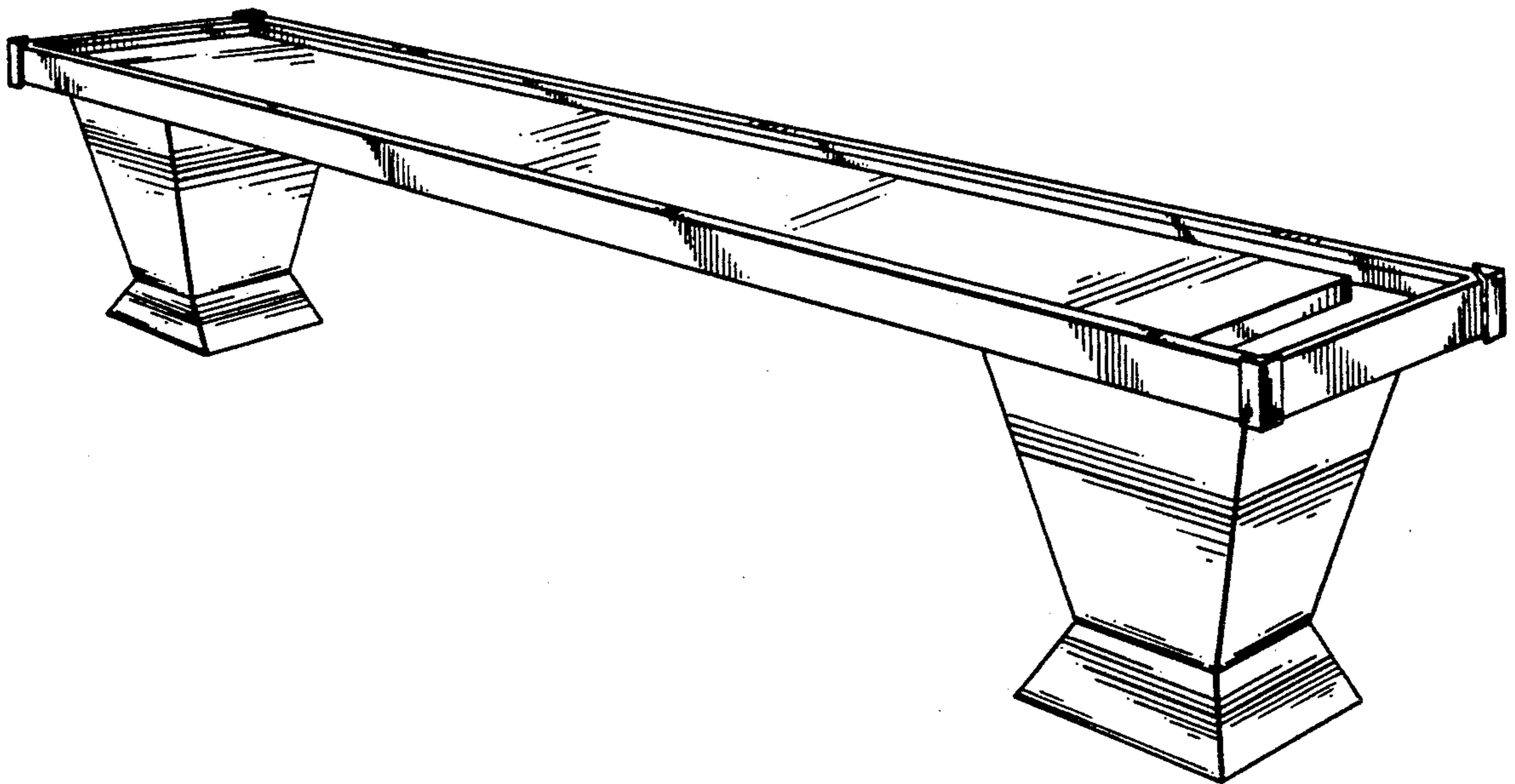
Primary Examiner—Bernard Ansher
Assistant Examiner—Sandra Morris
Attorney, Agent, or Firm—Baker & Daniels

[57] **CLAIM**

The ornamental design for a shuffleboard cabinet, as shown and described.

DESCRIPTION

FIG. 1 is a perspective view of a shuffleboard cabinet, showing my new design;
FIG. 2 is a reduced top plan view thereof;
FIG. 3 is a reduced side elevational view thereof;
FIG. 4 is a reduced bottom plan view thereof; and,
FIG. 5 is a reduced end elevational view thereof.



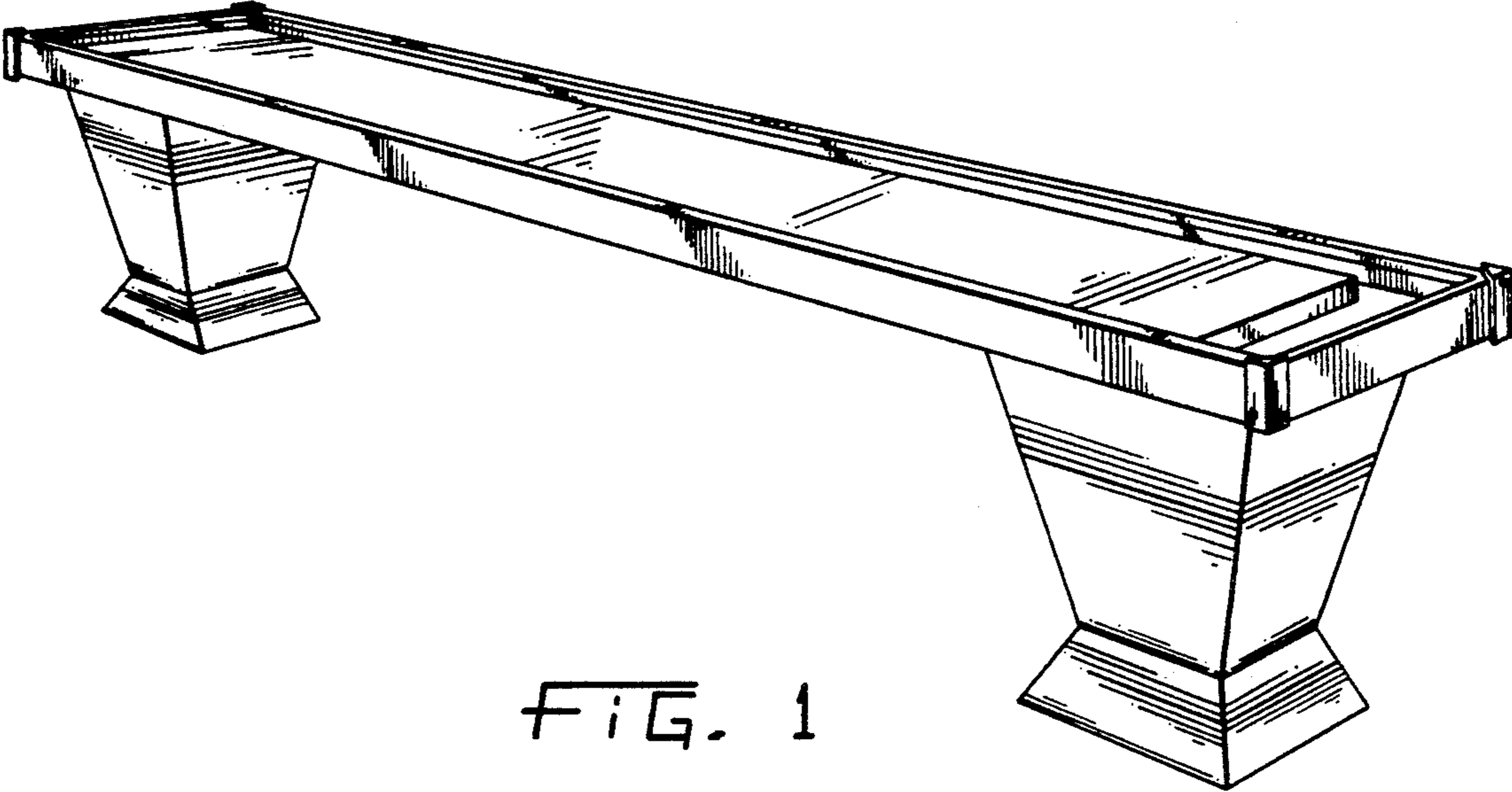


FIG. 1

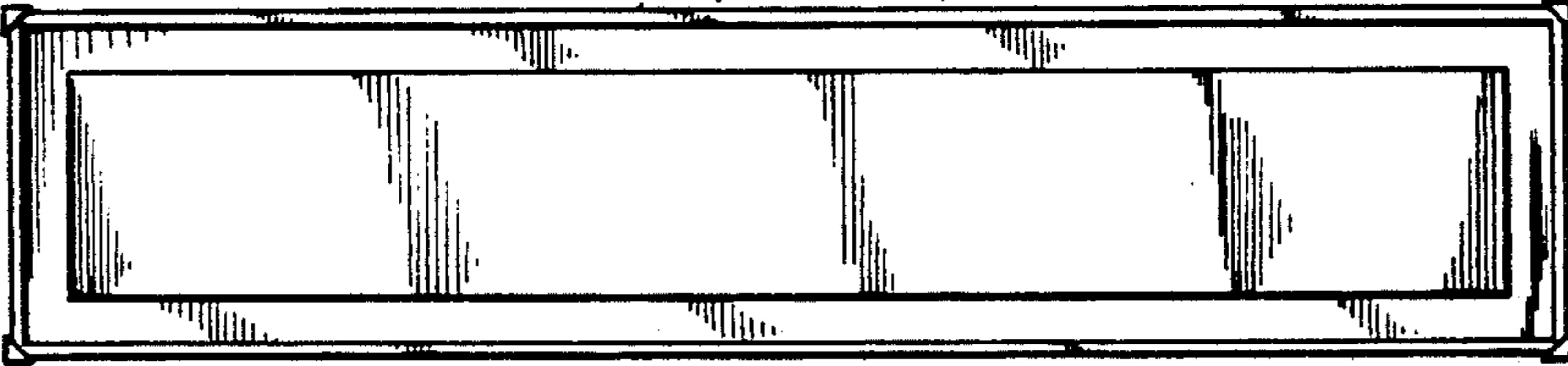


FIG. 2

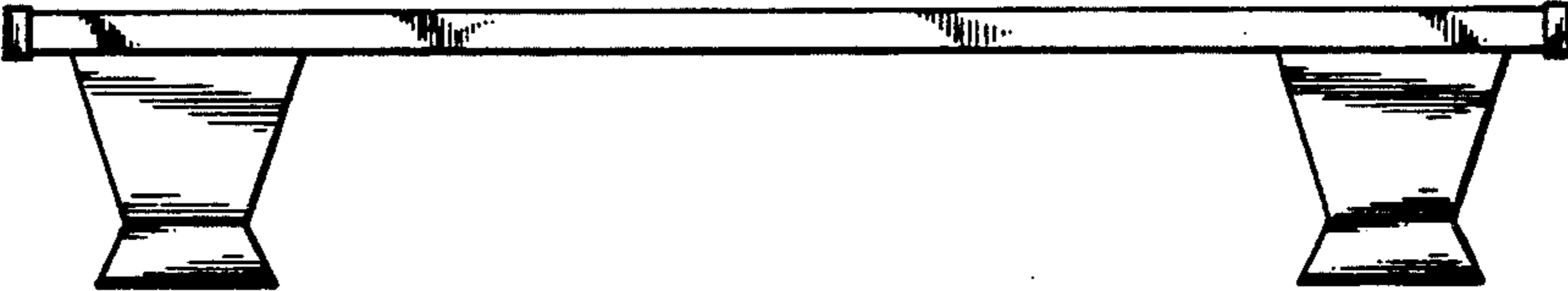


FIG. 3

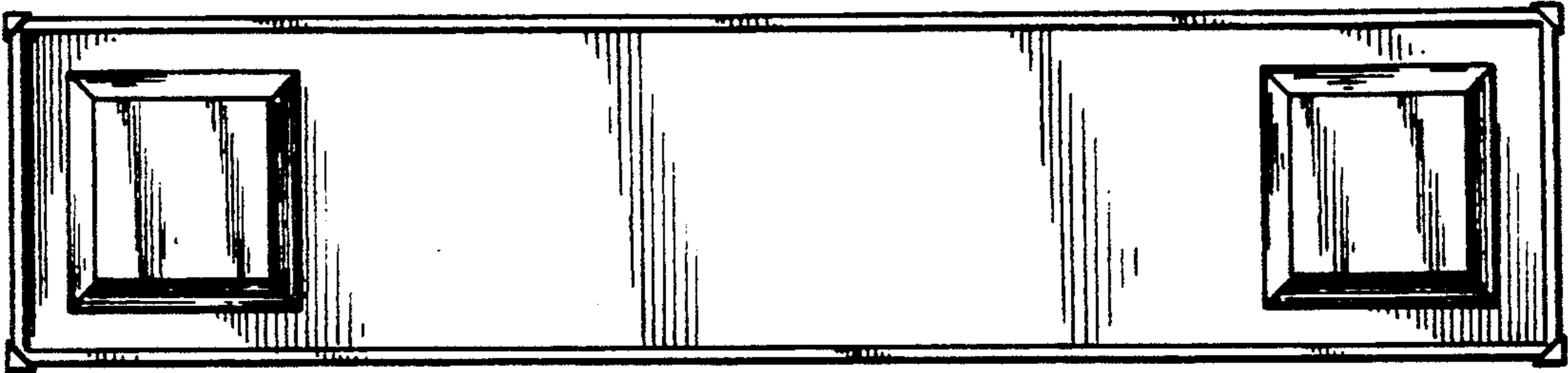


FIG. 4

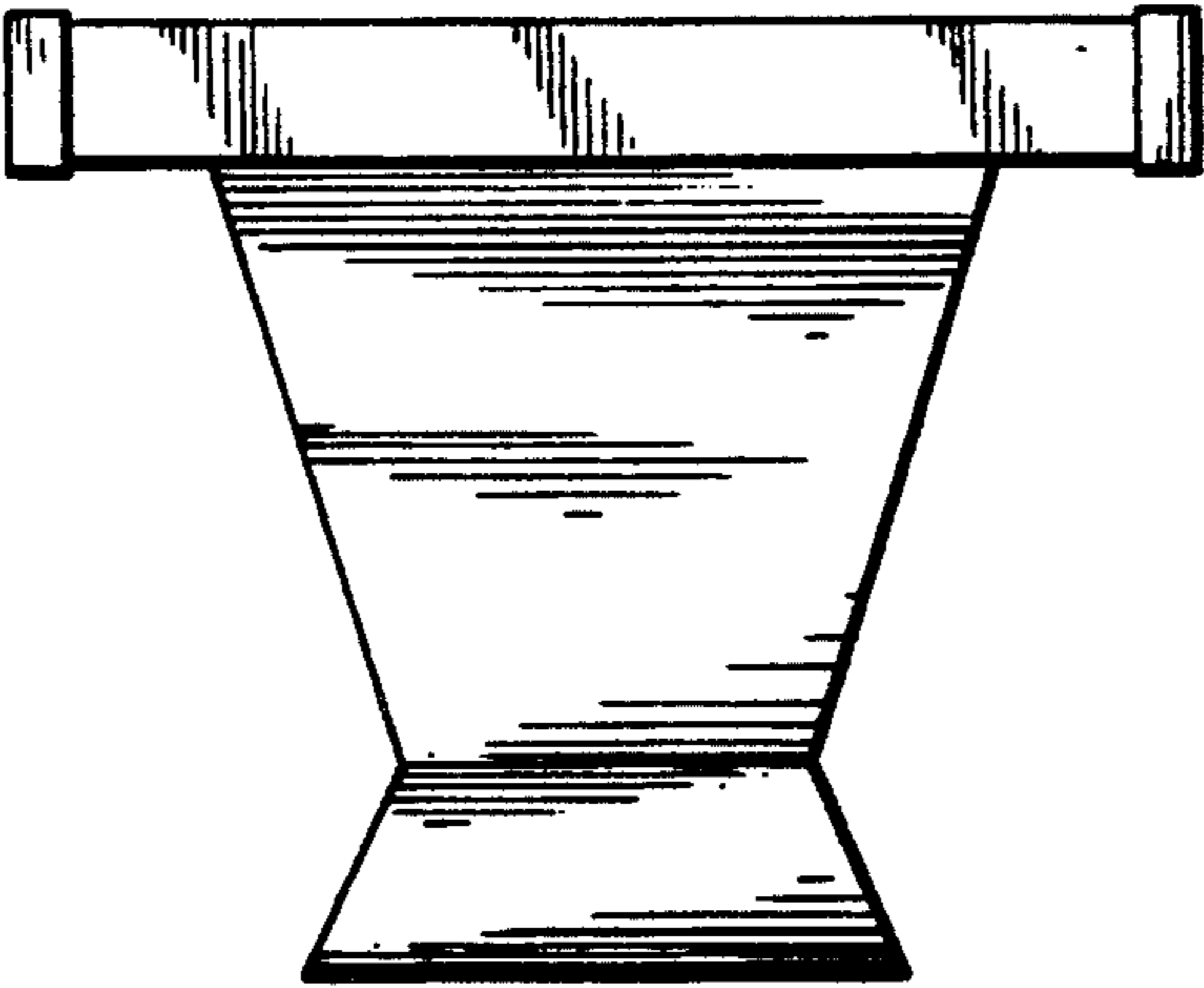


FIG. 5