



US00D330227S

United States Patent [19]

Franklin et al.

[11] Patent Number: **Des. 330,227**

[45] Date of Patent: **** Oct. 13, 1992**

[54] **BASEBALL GAME TARGET**

[75] Inventors: **Irving H. Franklin, Brockton; Larry J. Franklin, Chestnut Hill; Kurt M. Gluck, North Easton, all of Mass.**

[73] Assignee: **Franklin Sports Industries, Inc., Stoughton, Mass.**

[**] Term: **14 Years**

[21] Appl. No.: **504,995**

[22] Filed: **Apr. 5, 1990**

[52] U.S. Cl. **D21/5; D21/28**

[58] Field of Search **D21/5, 11, 28; 273/88, 273/89, 398, 399, 402**

[56] **References Cited**

U.S. PATENT DOCUMENTS

D. 192,148 1/1962 Brodie D21/5

1,516,887 11/1924 McPherson 273/88
1,527,480 2/1925 Hooper D21/28
2,850,283 9/1958 Lemelson 273/88

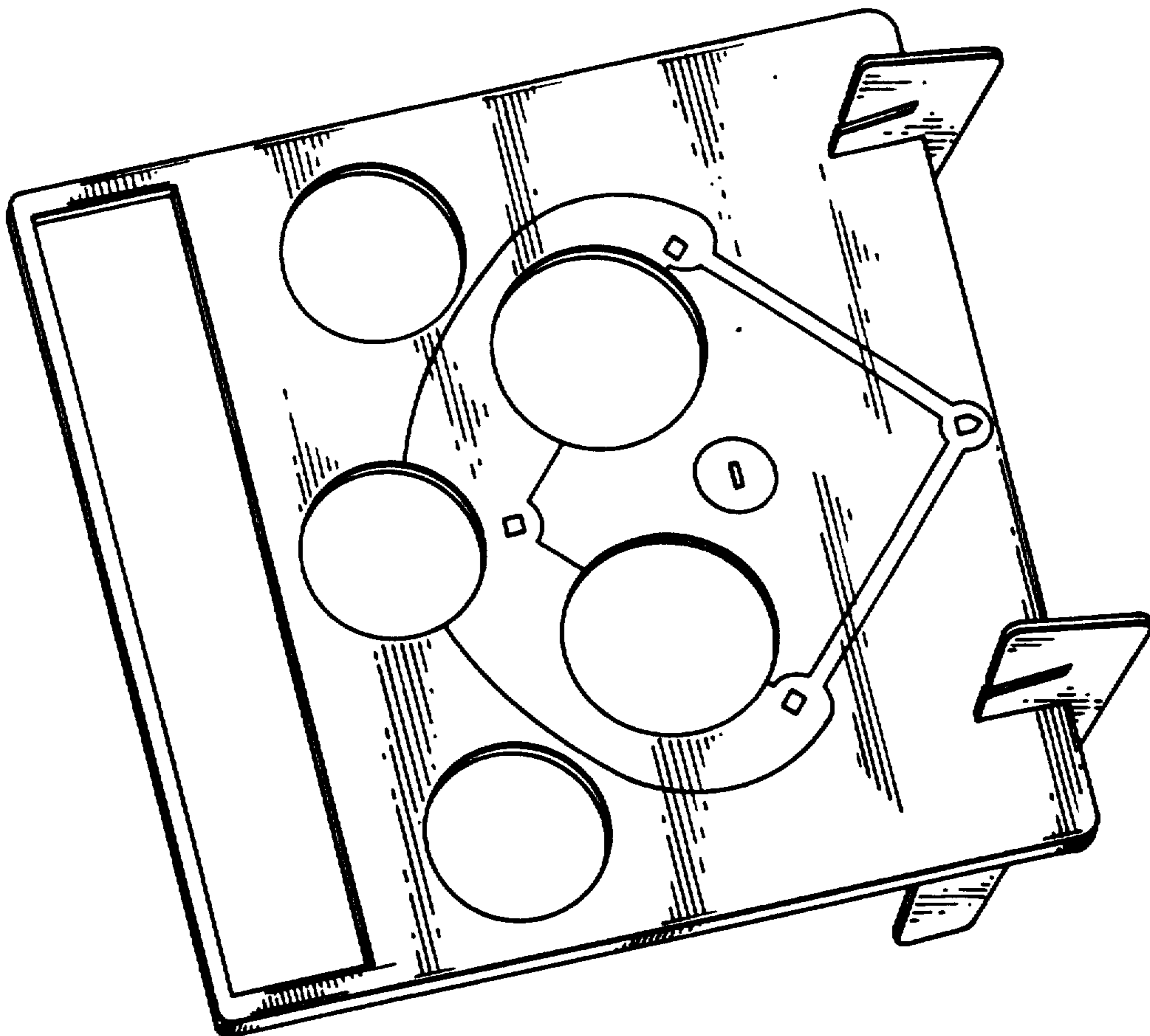
Primary Examiner—Melvin B. Feifer
Attorney, Agent, or Firm—Weingarten, Schurgin, Gagnebin & Hayes

[57] CLAIM

The ornamental design for a baseball game target, as shown.

DESCRIPTION

FIG. 1 is a front elevational of a baseball game target game embodying our new design; FIG. 2 is a top plan view thereof; FIG. 3 is a rear elevational view thereof; FIG. 4 is a bottom plan view thereof; FIG. 5 is a side view thereof; and, FIG. 6 is a side perspective view thereof.



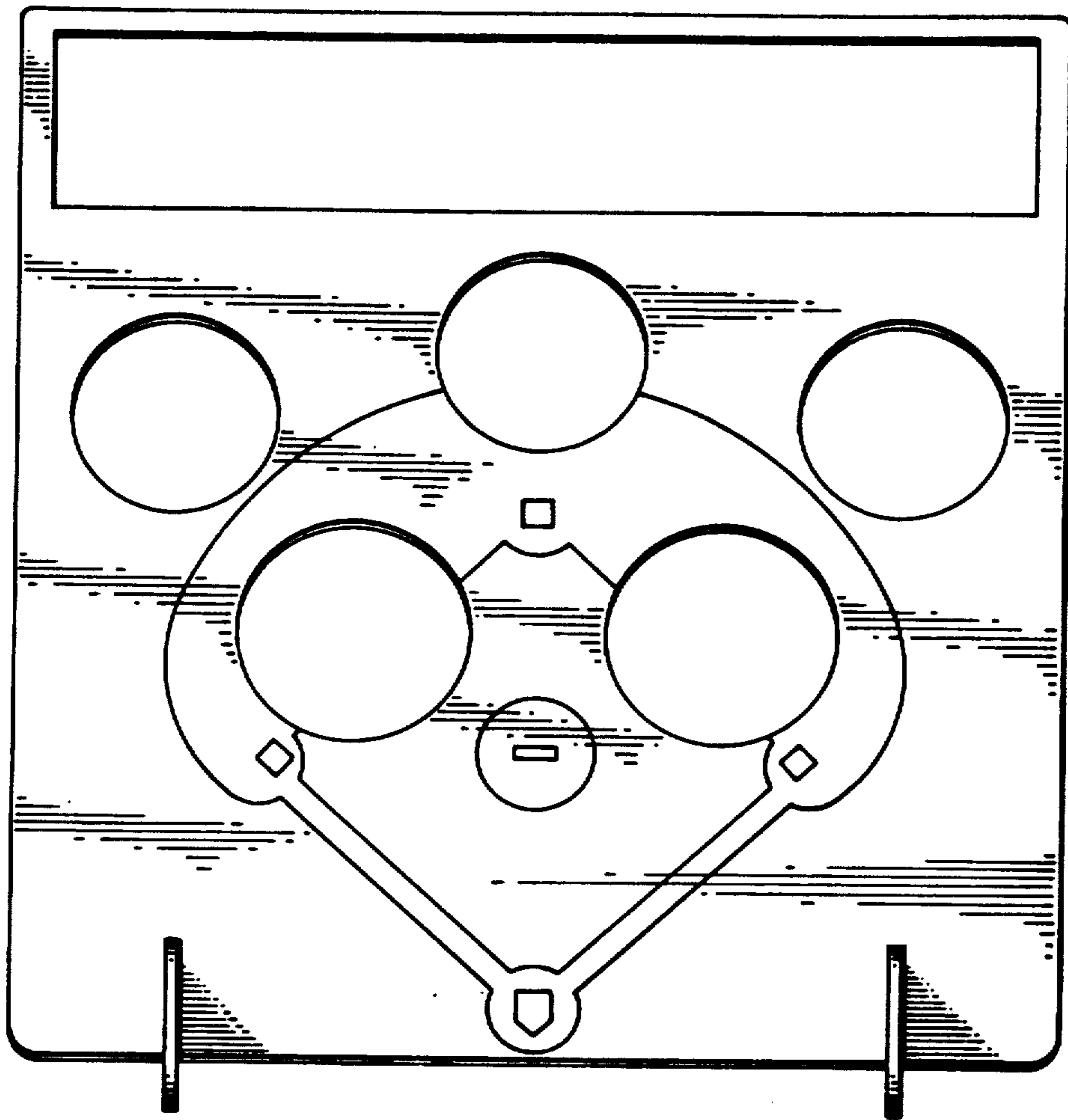


FIG. 1

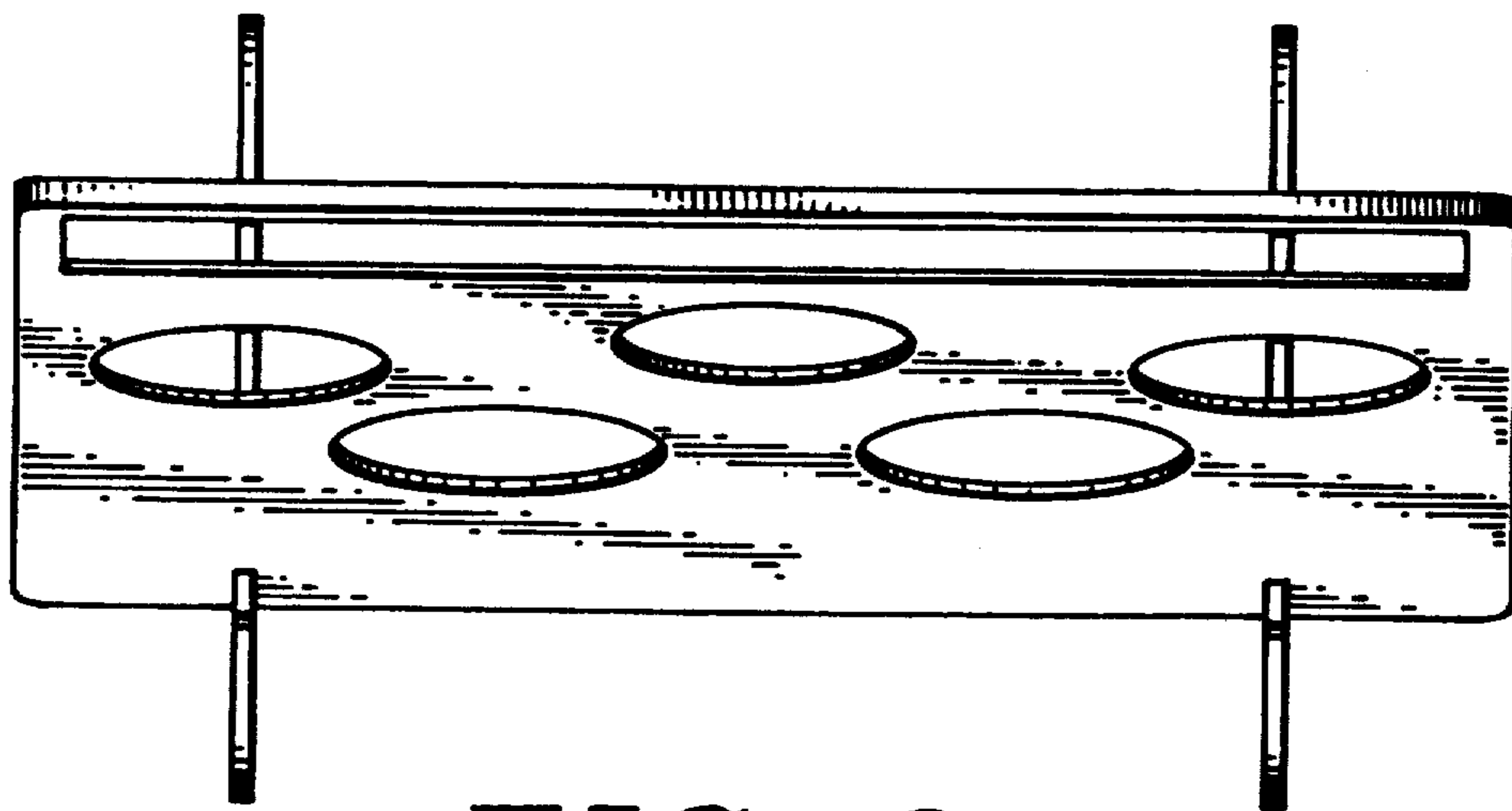


FIG. 2

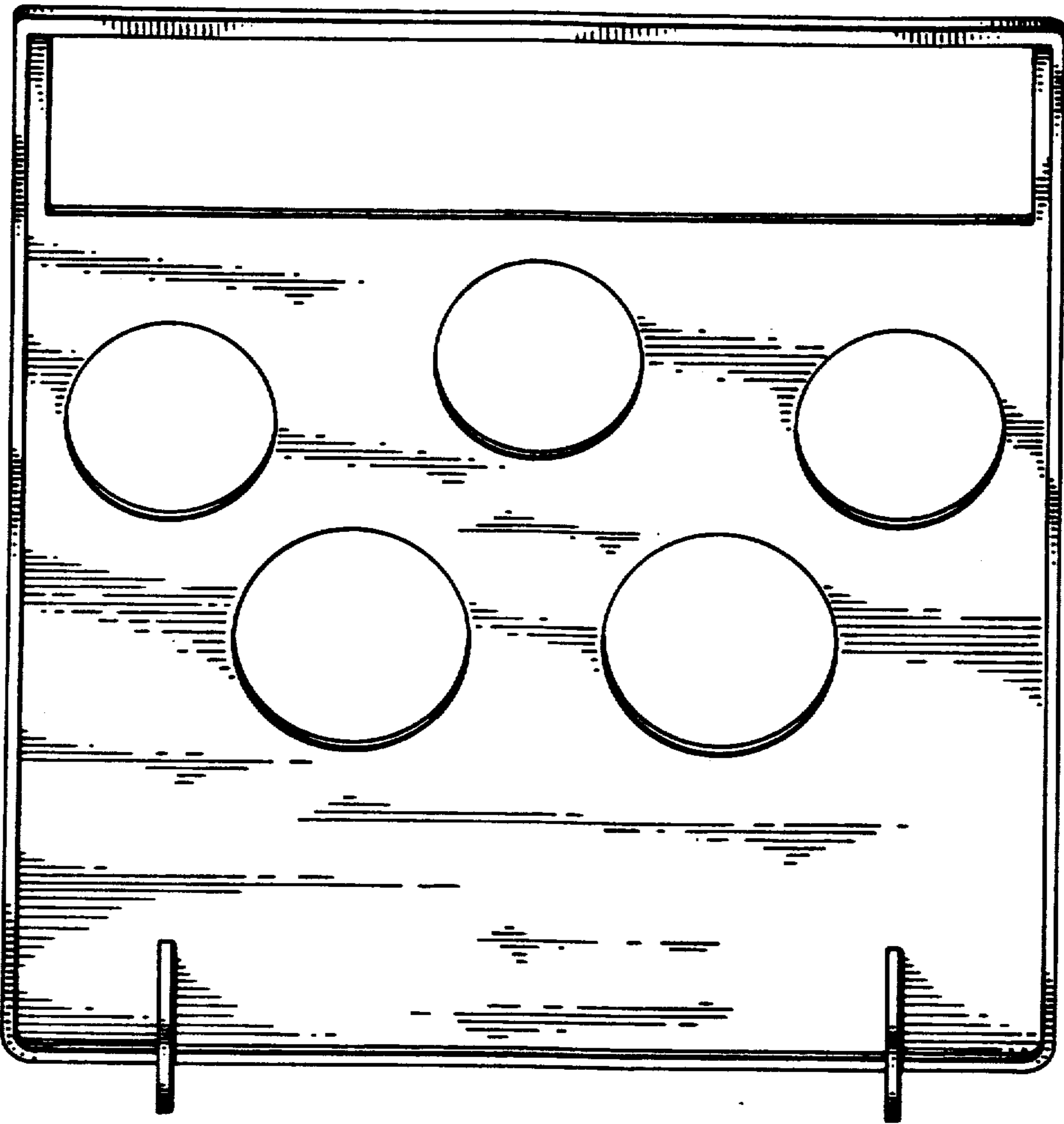


FIG. 3

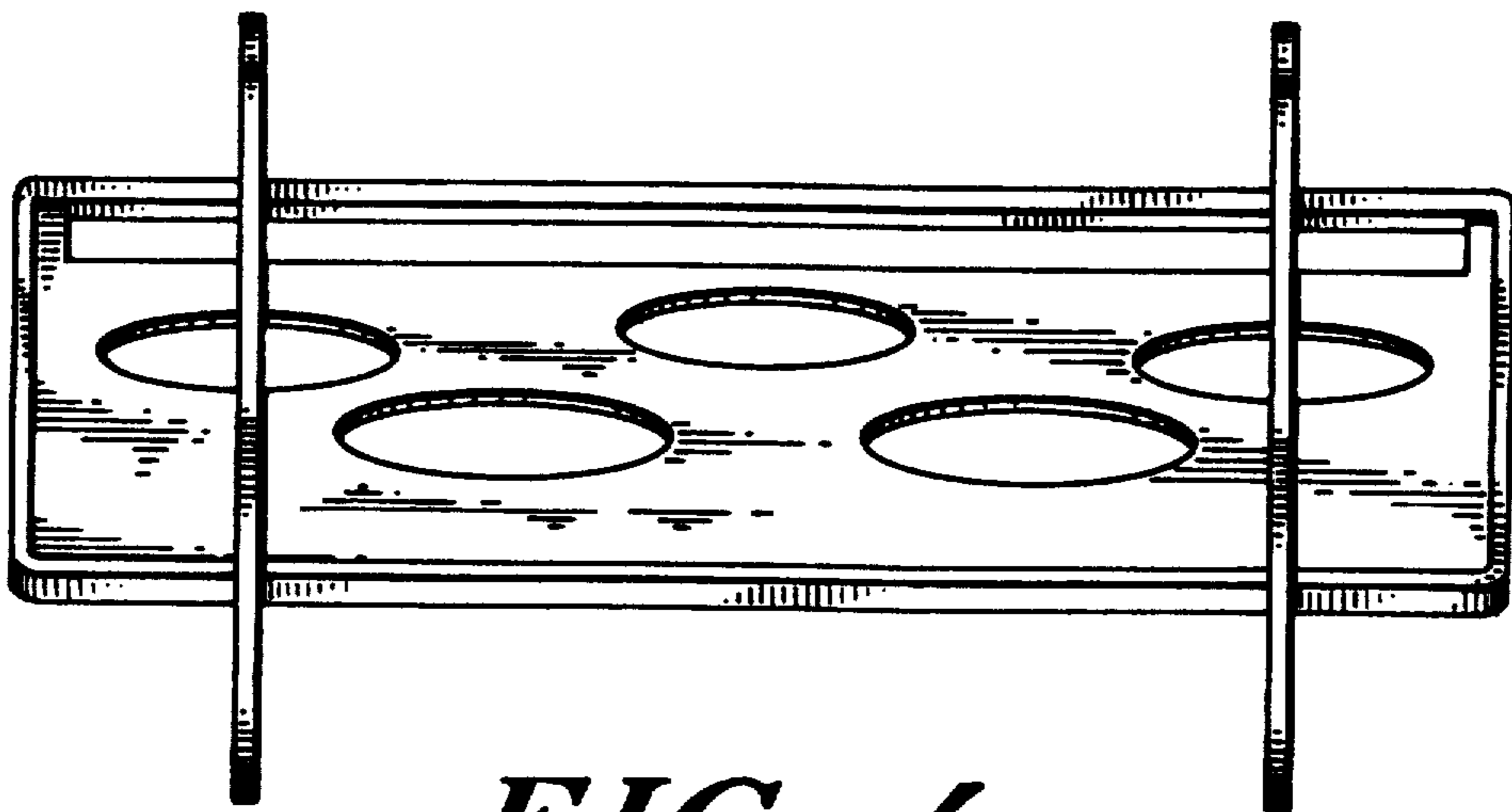


FIG. 4

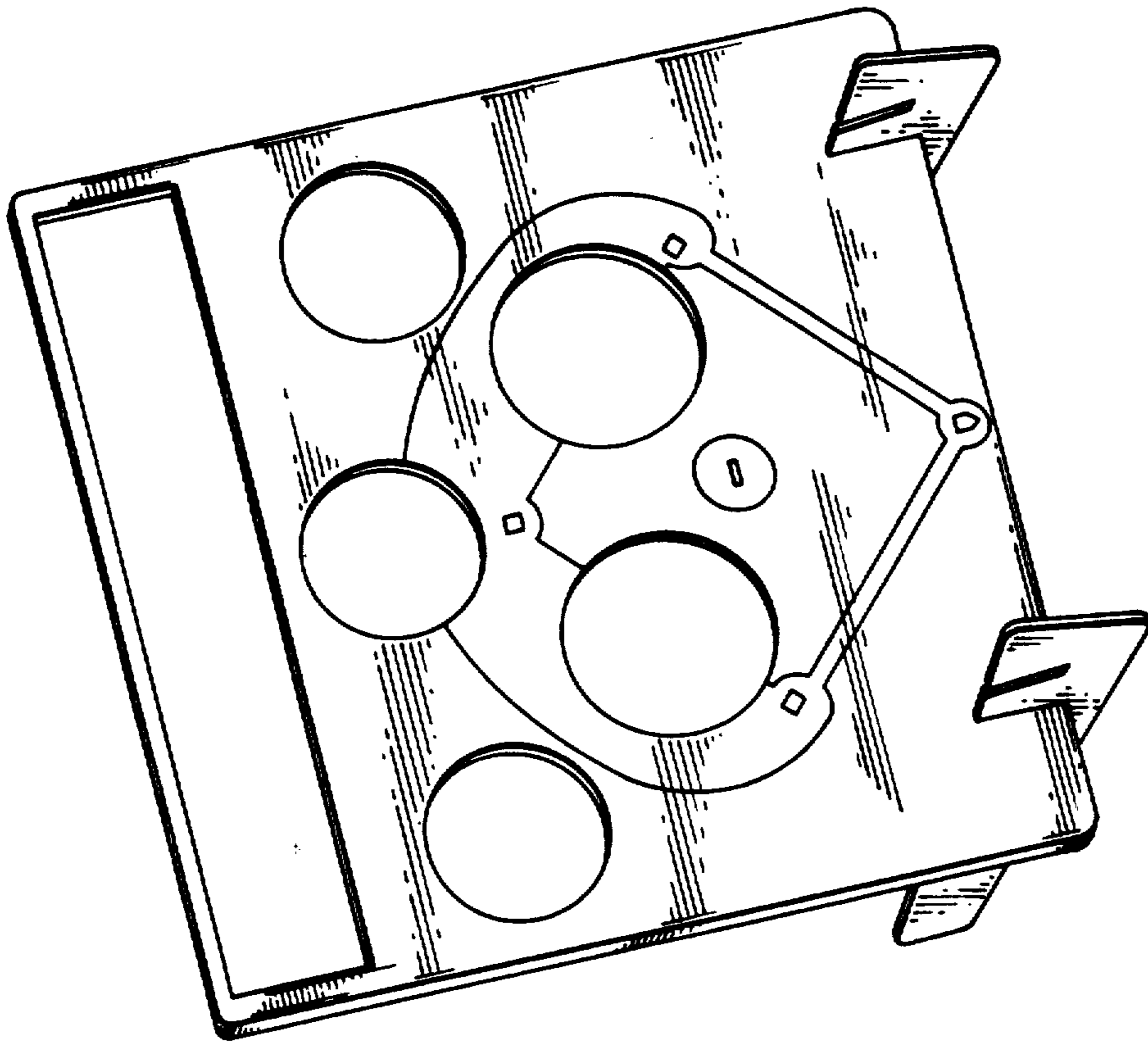


FIG. 6

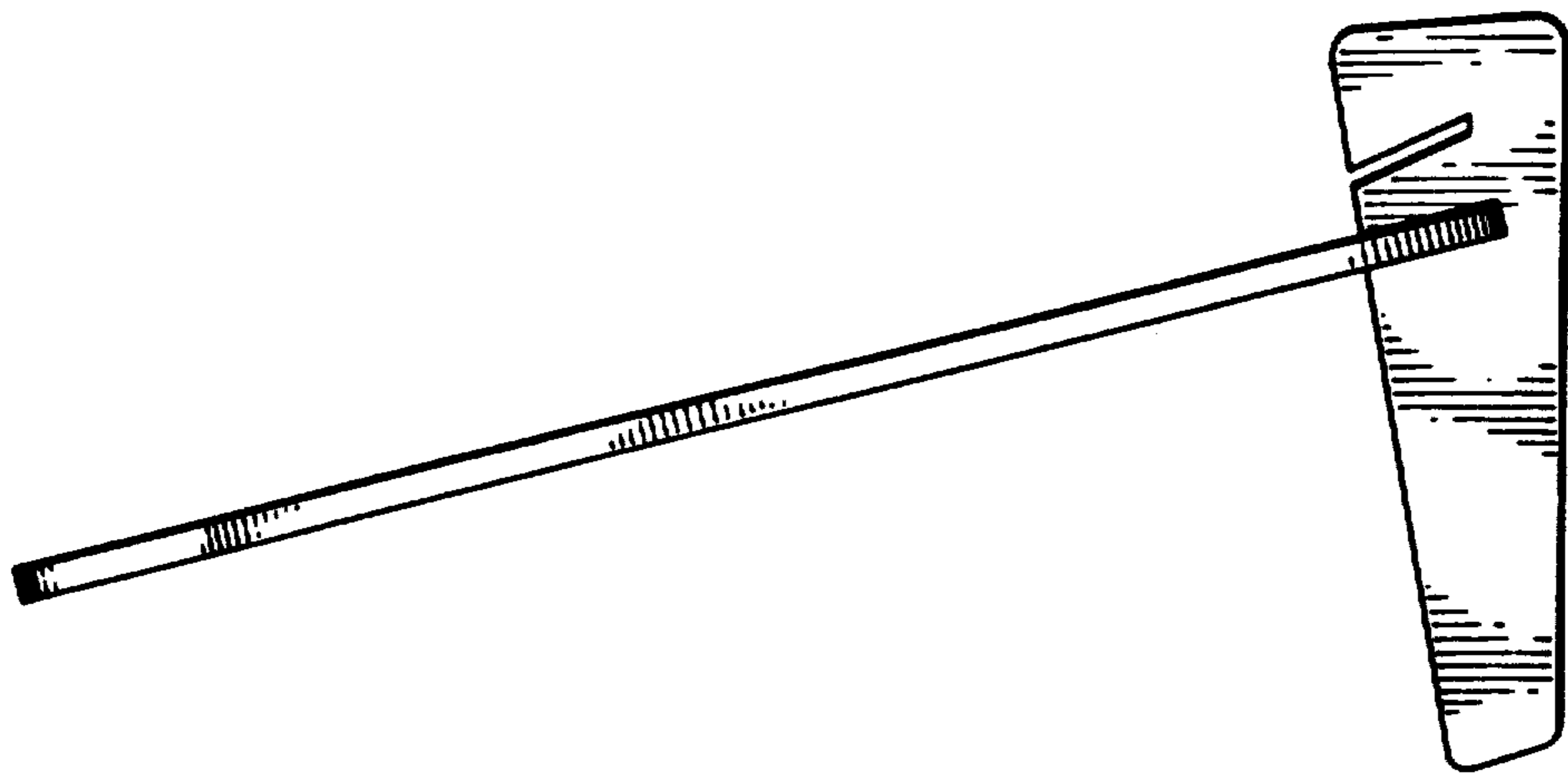


FIG. 5