



US00D330224S

United States Patent [19]

[11] Patent Number: **Des. 330,224**

Melcher

[45] Date of Patent: **** Oct. 13, 1992**

[54] **FOLDING FRAME FOR SIGNS**

[76] Inventor: **Alton R. Melcher**, 40262 Santa Teresa Common, Fremont, Calif. 94539

3,924,344	12/1975	Davis	40/611
4,278,228	7/1981	Rebentisch et al.	40/612
4,325,197	4/1982	Achten et al.	40/155
4,700,498	10/1987	Perutz et al.	40/152.1
5,085,329	2/1992	Crowell et al.	211/195

[**] Term: **14 Years**

Primary Examiner—Wallace R. Burke
Assistant Examiner—Marcus Jackson
Attorney, Agent, or Firm—Linval B. Castle

[21] Appl. No.: **564,339**

[57] **CLAIM**

[22] Filed: **Aug. 8, 1990**

The ornamental design for a folding frame for signs, as shown and described.

[52] U.S. Cl. **D20/41; D20/10**

[58] Field of Search D20/10, 39, 40, 41, D20/42; 40/584, 591, 592, 606, 607, 608, 618, 624, 124, 152.1, 155, 612, 611; 211/206, 195

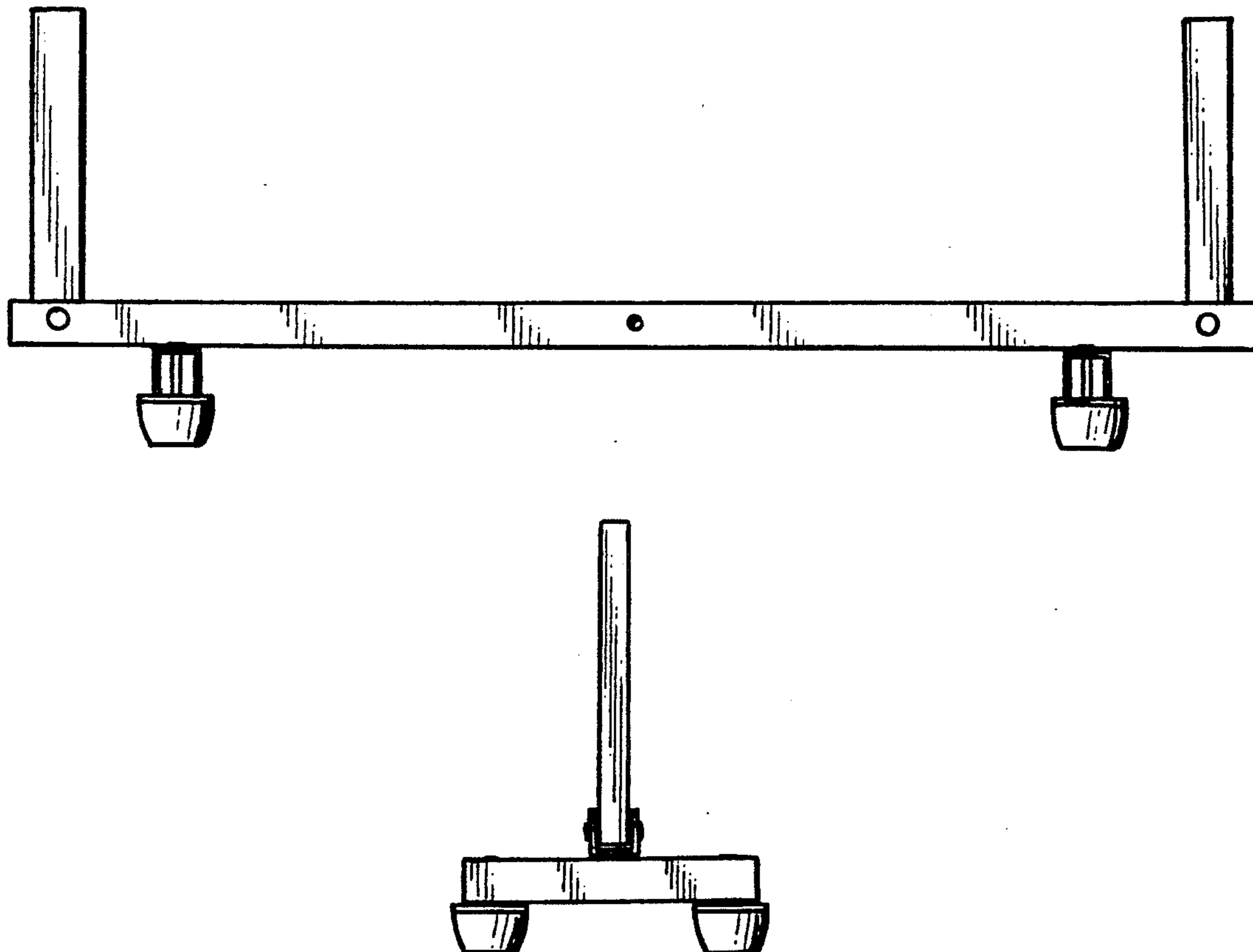
DESCRIPTION

[56] **References Cited**

U.S. PATENT DOCUMENTS

D. 275,579	9/1984	Brown et al.	D20/10
2,064,047	12/1936	Wertz	40/152.1

FIG. 1 is a front elevational view of a folding frame for signs showing my new design; FIG. 2 is a top plan view thereof; FIG. 3 is a bottom plan view thereof; and, FIG. 4 is a side elevational view thereof, with the opposite side being a mirror image.



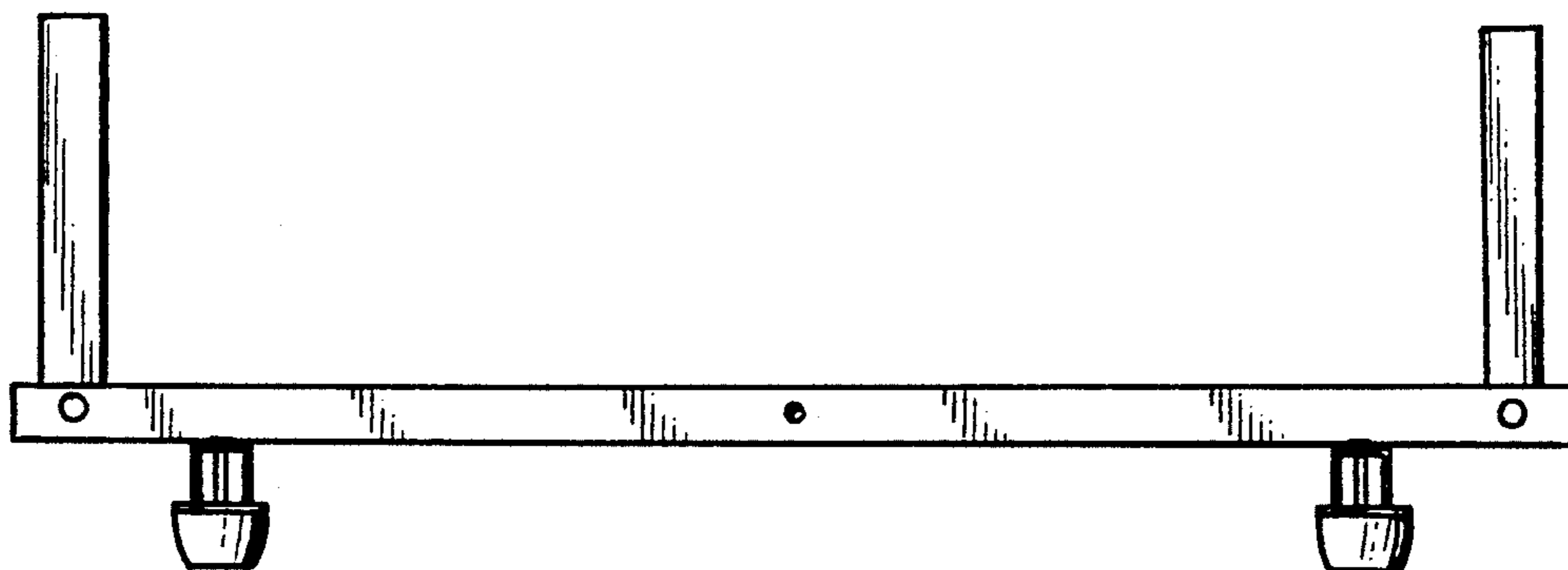


FIG. 1



FIG. 2



FIG. 3

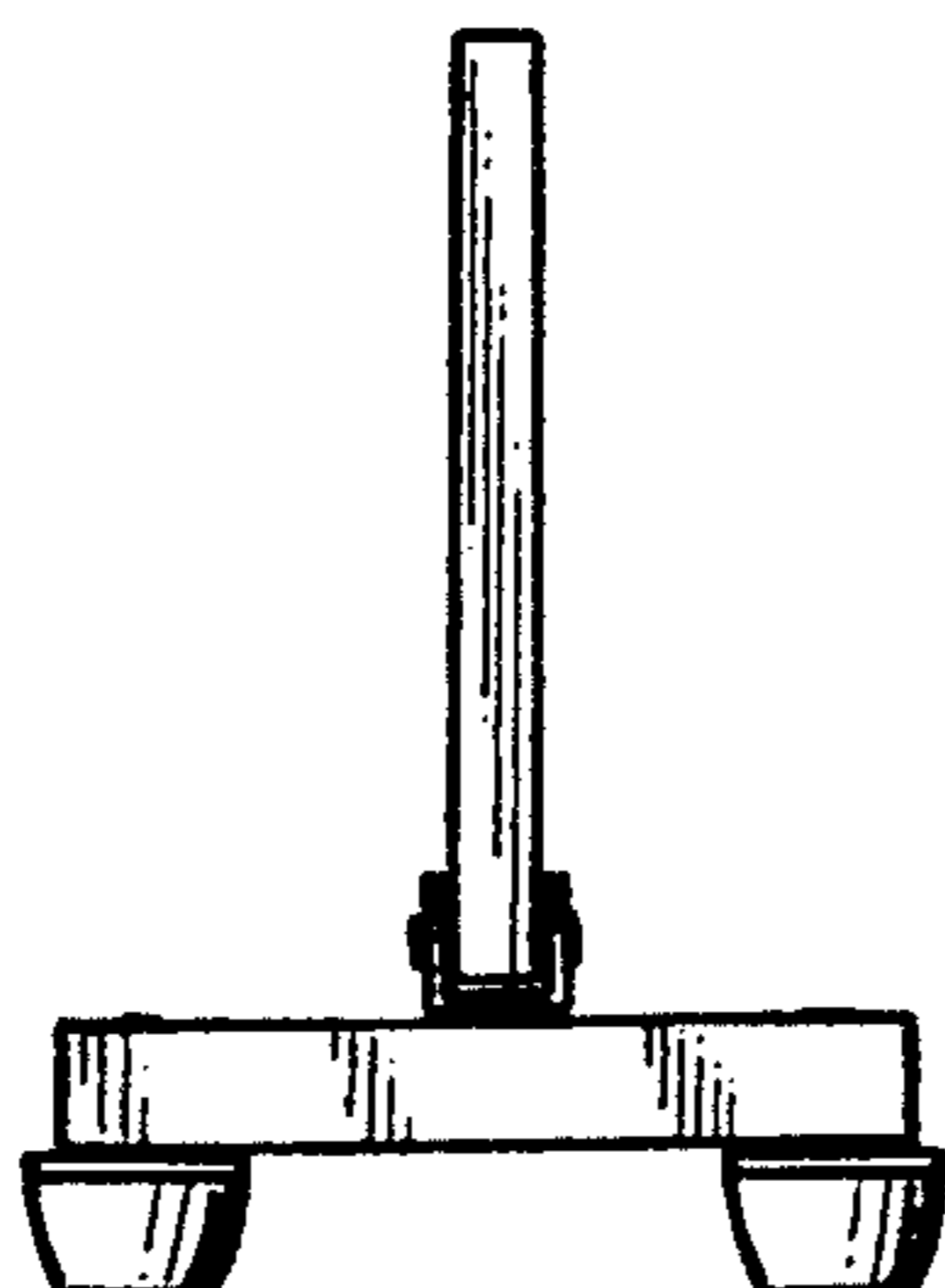


FIG. 4