



US00D330222S

United States Patent [19]

[11] Patent Number: Des. 330,222

Suxdorf

[45] Date of Patent: ** Oct. 13, 1992

[54] INK STAND

[75] Inventor: Michael Suxdorf, Hamburg, Fed. Rep. of Germany

[73] Assignee: Montblanc-Simplo GmbH, Hamburg, Fed. Rep. of Germany

[**] Term: 14 Years

[21] Appl. No.: 653,453

[22] Filed: Feb. 6, 1991

[30] Foreign Application Priority Data

Aug. 30, 1990 [DE] Fed. Rep. of Germany 9005703

[52] U.S. Cl. D19/93; D19/95; D19/96

[58] Field of Search D9/372; D19/65, 75, D19/79, 80, 93, 94, 95, 96, 99, 100; 108/26.2; 211/69.2-69.9; 248/127, 128, 146; 15/257.7

[56] References Cited

U.S. PATENT DOCUMENTS

- D. 7,934 12/1874 Rosenfeld D19/93
- D. 8,716 10/1975 Jenckes D19/94 X
- D. 37,504 8/1905 Ashley D19/93
- D. 40,012 5/1909 Numan D19/79

- D. 41,589 7/1911 Numan D19/93
- D. 50,529 3/1917 Kimpton D19/93 X
- D. 59,004 9/1921 Goldstein D19/85 X
- D. 98,913 3/1936 Brand et al. D19/79
- 1,361,355 12/1920 Ashley 211/69.2

Primary Examiner—Nelson C. Holtje
Assistant Examiner—Martha Thompson
Attorney, Agent, or Firm—Nixon & Vanderhye

[57] CLAIM

The ornamental design for an ink stand, as shown and described.

DESCRIPTION

FIG. 1 is a front elevational view of an ink stand showing my new design;
 FIG. 2 is a left side elevational view, the right side being a mirror image thereof;
 FIG. 3 is a top plan view;
 FIG. 4 is a rear elevational view;
 FIG. 5 is a top, right front perspective view drawn to a reduced scale with respect to FIGS. 1 through 4 and 6; and,
 FIG. 6 is a left side elevational view with the cap member in an opened position, the right side being a mirror image thereof.
 The bottom of the article is plain and unornamented.

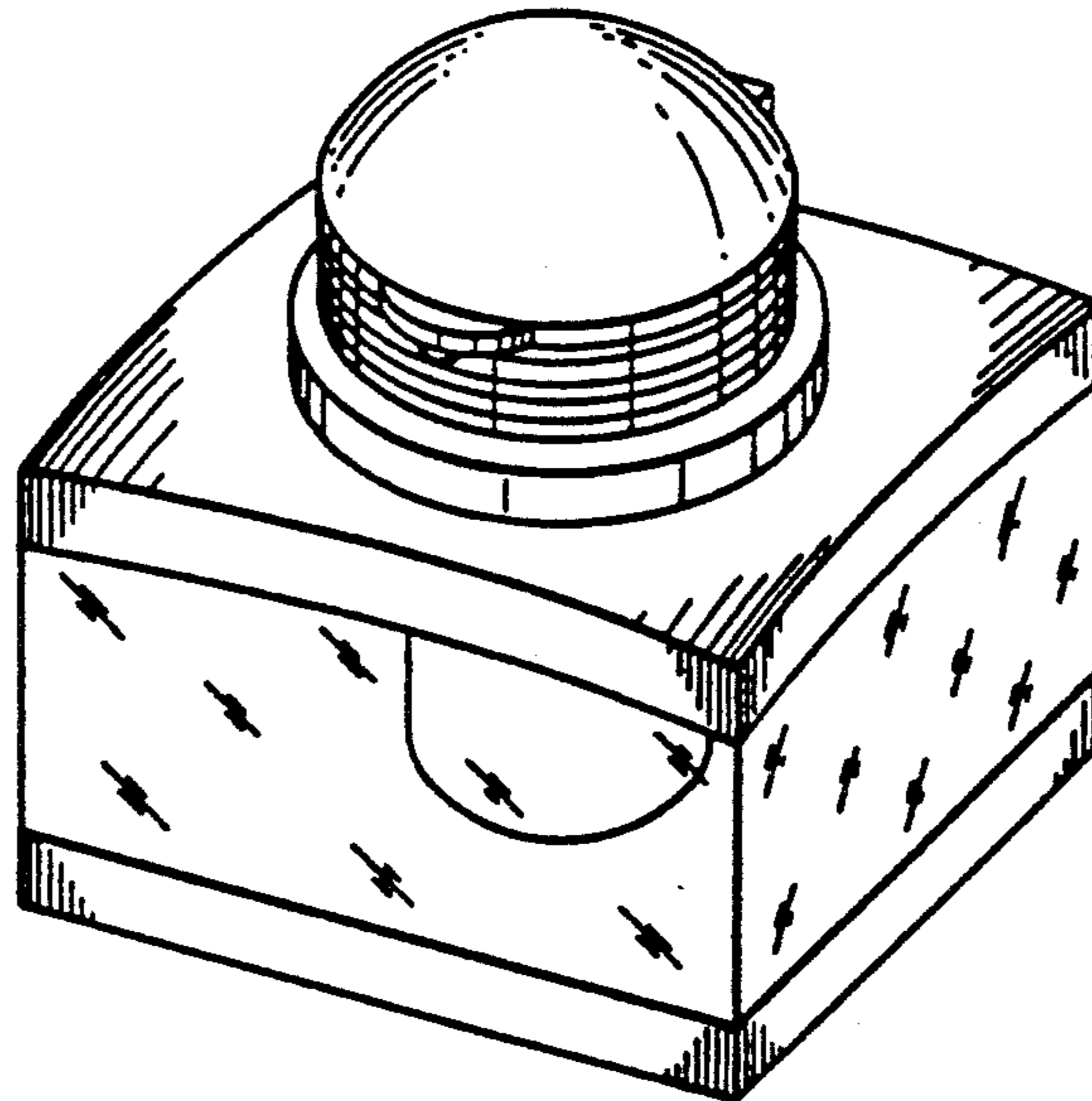


Fig. 1

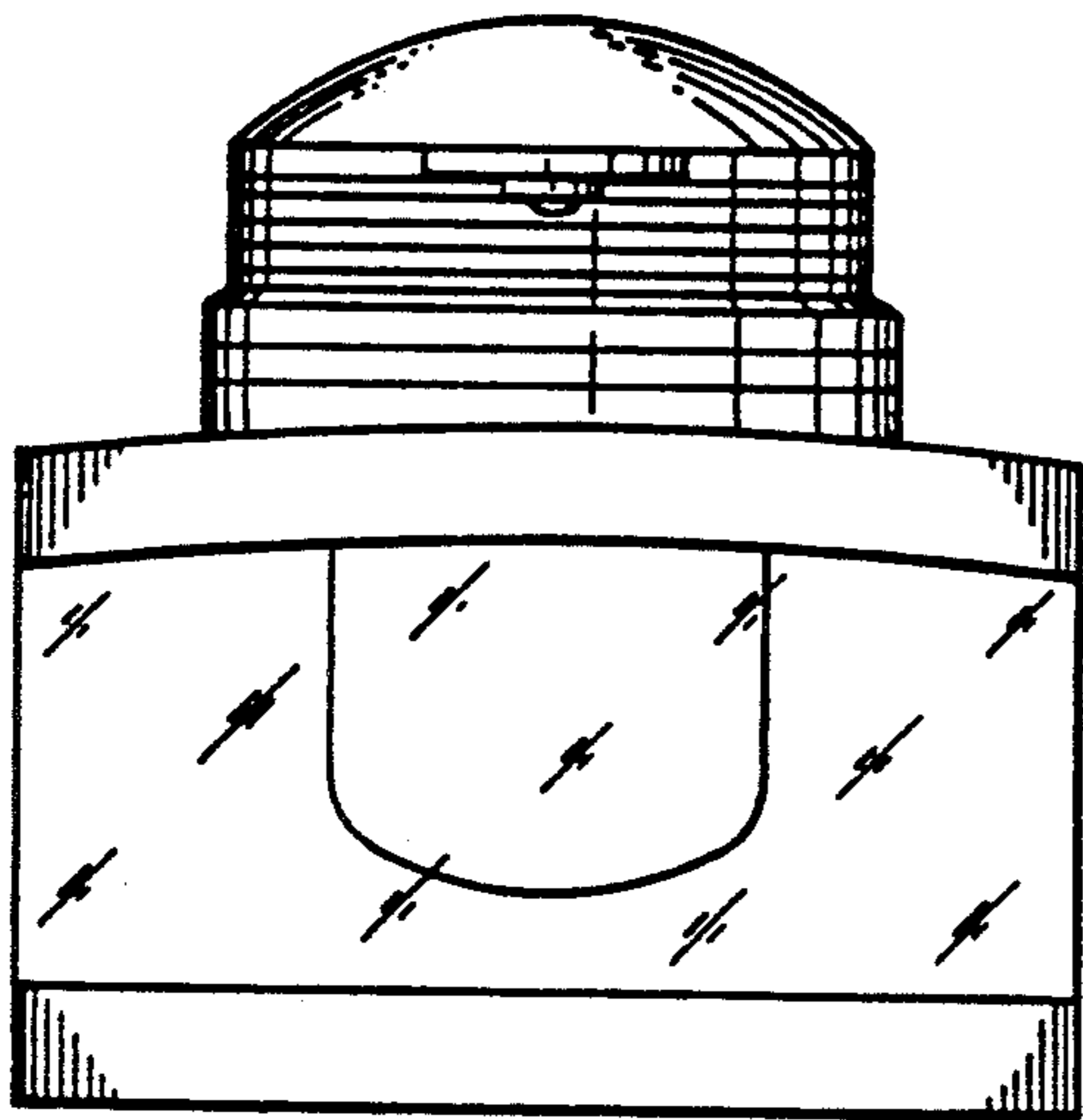


Fig. 2

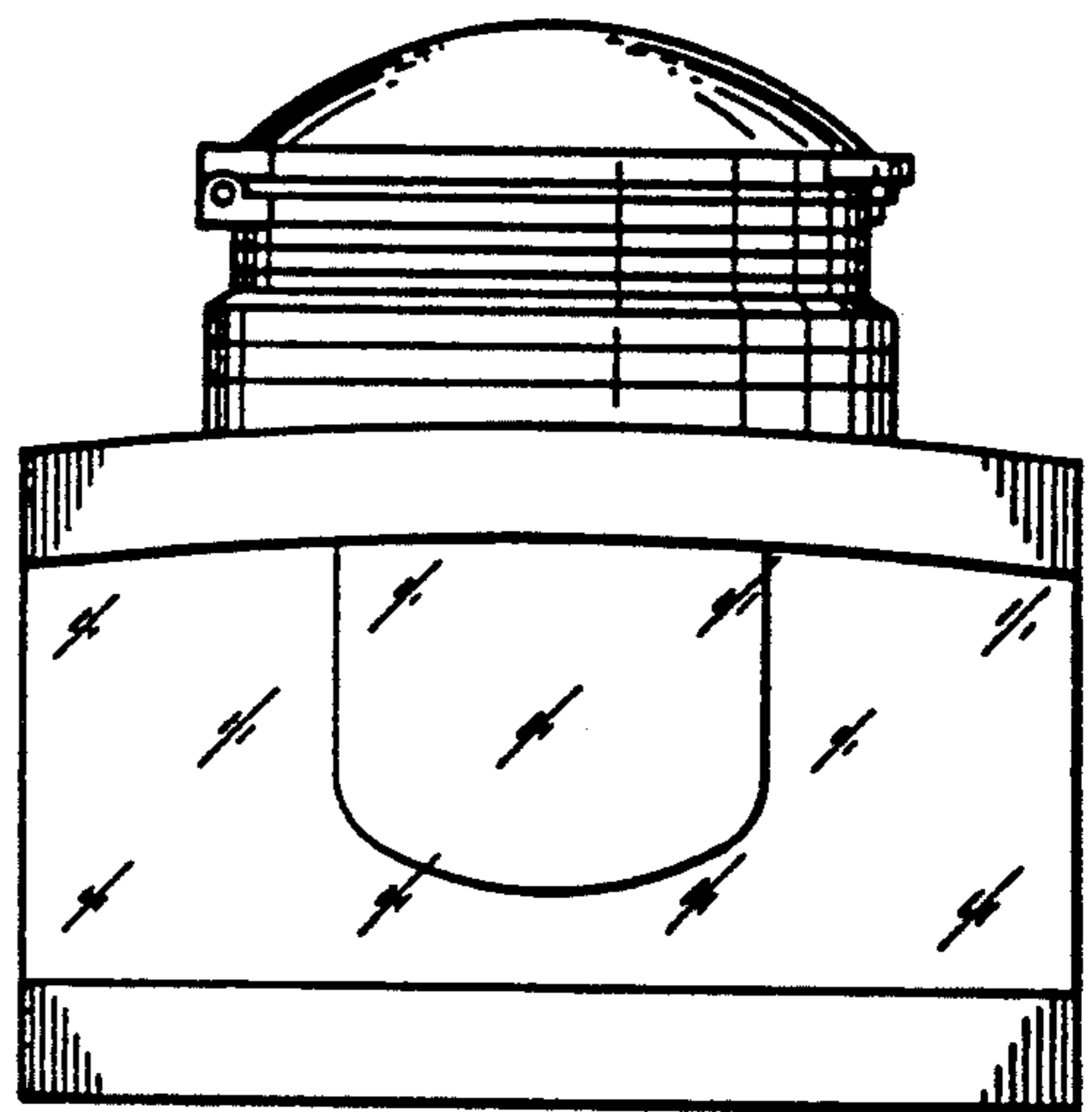


Fig. 3

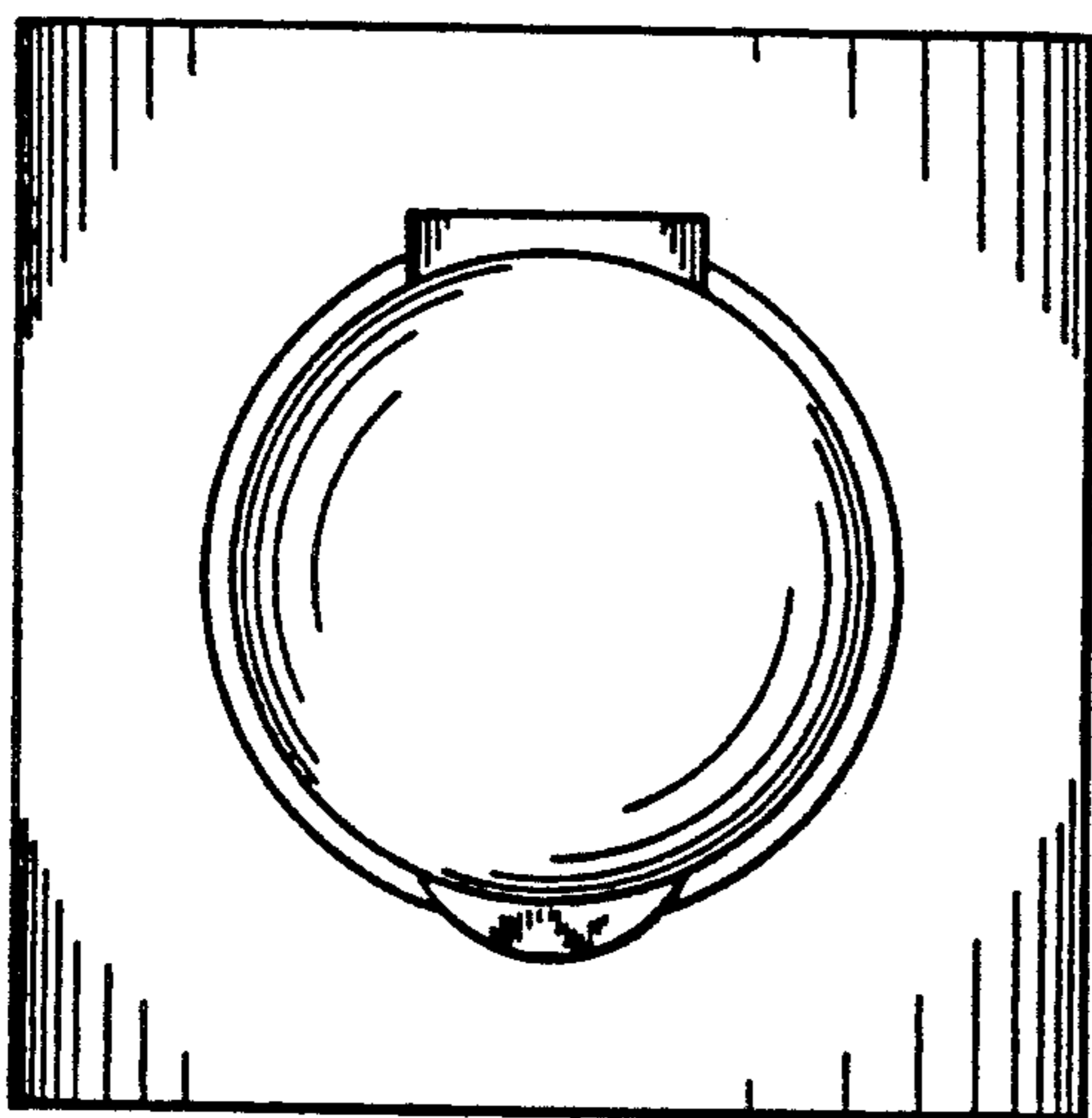
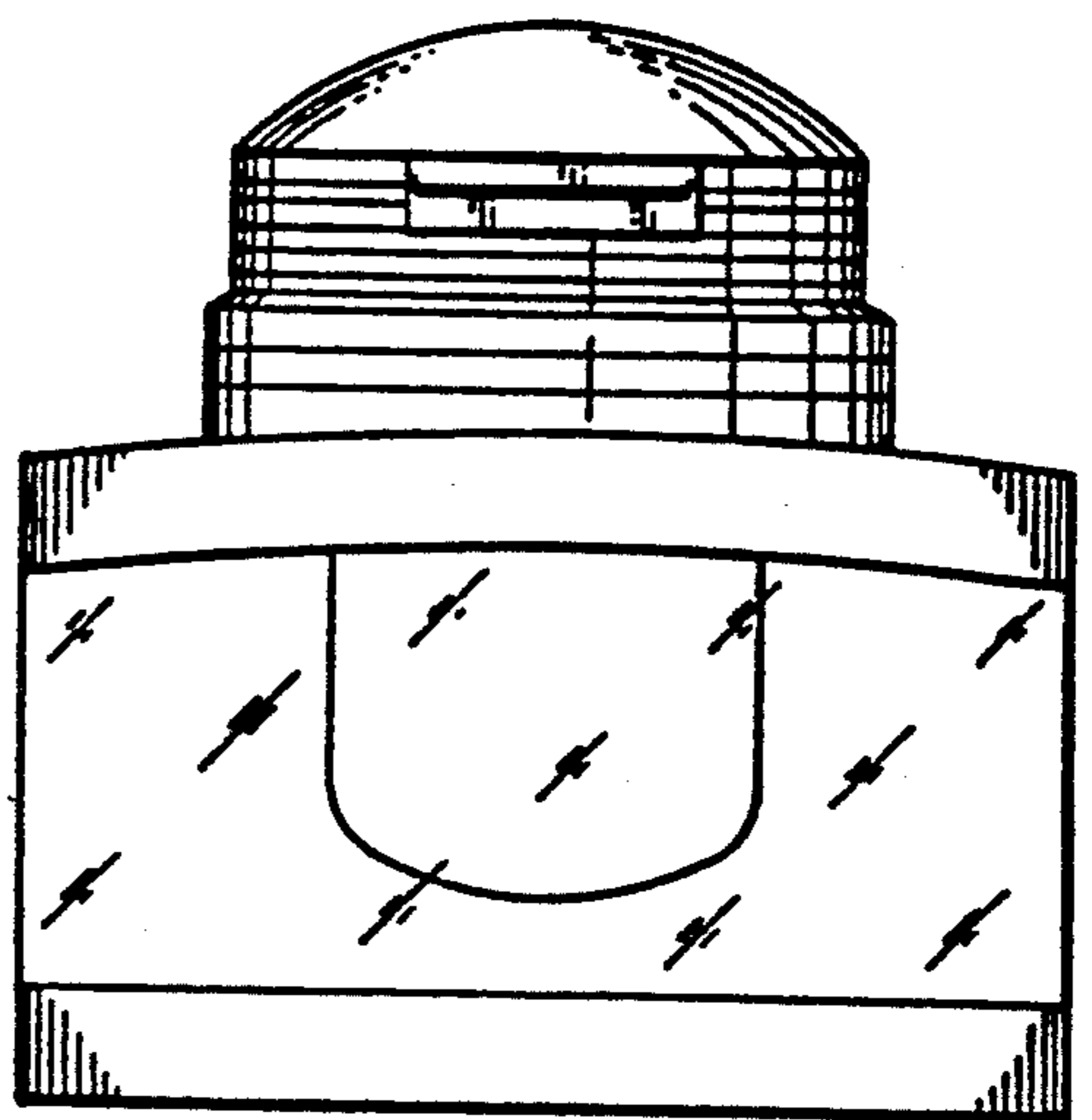


Fig. 4



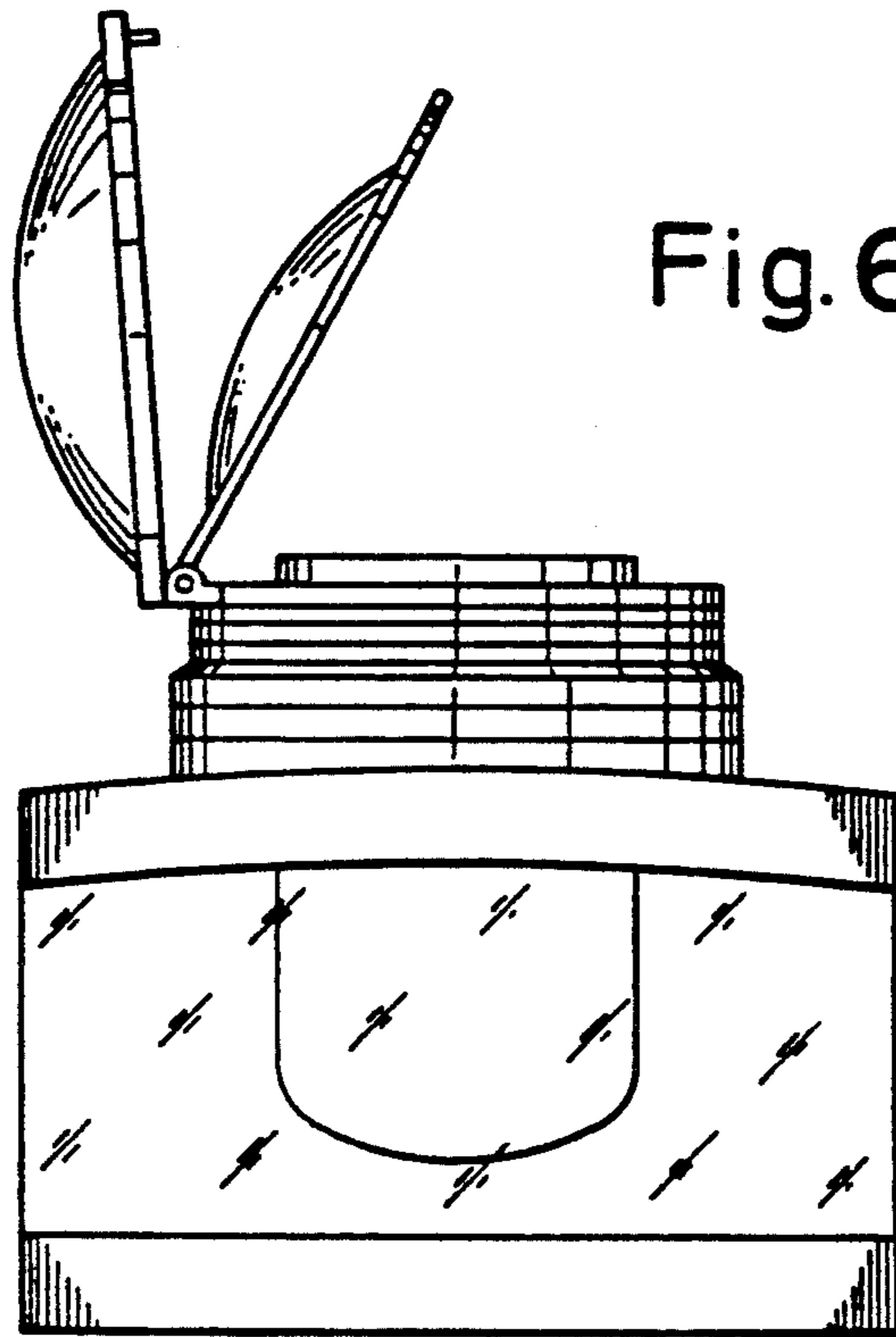


Fig. 6

Fig. 5

