



US00D330221S

United States Patent [19]

[11] Patent Number: **Des. 330,221**

Levin

[45] Date of Patent: **** Oct. 13, 1992**

[54] **DISPLAY HOLDER**

2,857,696	10/1958	Barrow	40/658
3,168,954	2/1965	Herrmann	D19/91
3,947,138	3/1976	Eshelman	D19/91

[75] Inventor: **Herbert L. Levin, Needham, Mass.**

[73] Assignee: **International Display & Exhibit Corporation, Newton Upper Falls, Mass.**

Primary Examiner—Wallace R. Burke
Assistant Examiner—Marcus Jackson
Attorney, Agent, or Firm—Bachman & LaPointe

[**] Term: **14 Years**

[57] **CLAIM**

[21] Appl. No.: **643,578**

The ornamental design for a display holder, as shown and described.

[22] Filed: **Jan. 22, 1991**

[52] U.S. Cl. **D19/91; D20/42**

DESCRIPTION

[58] Field of Search **D20/10, 39, 40, 42; D19/91; 40/658, 642, 644, 662; 24/3 J, 3 L, 3 R, 11 PP, 67 CF, 67 P; D8/373**

FIG. 1 is a bottom perspective view of a display holder showing my new design, with the clamp portion shown in open condition;

[56] **References Cited**

U.S. PATENT DOCUMENTS

D. 248,483	7/1978	Elias et al.	D19/91
D. 250,715	1/1979	Hedstrom et al.	D19/91
D. 266,858	11/1982	Cole	D19/91
D. 268,348	3/1983	Beleckis	D19/91
D. 303,811	10/1989	DeWitt	D19/91

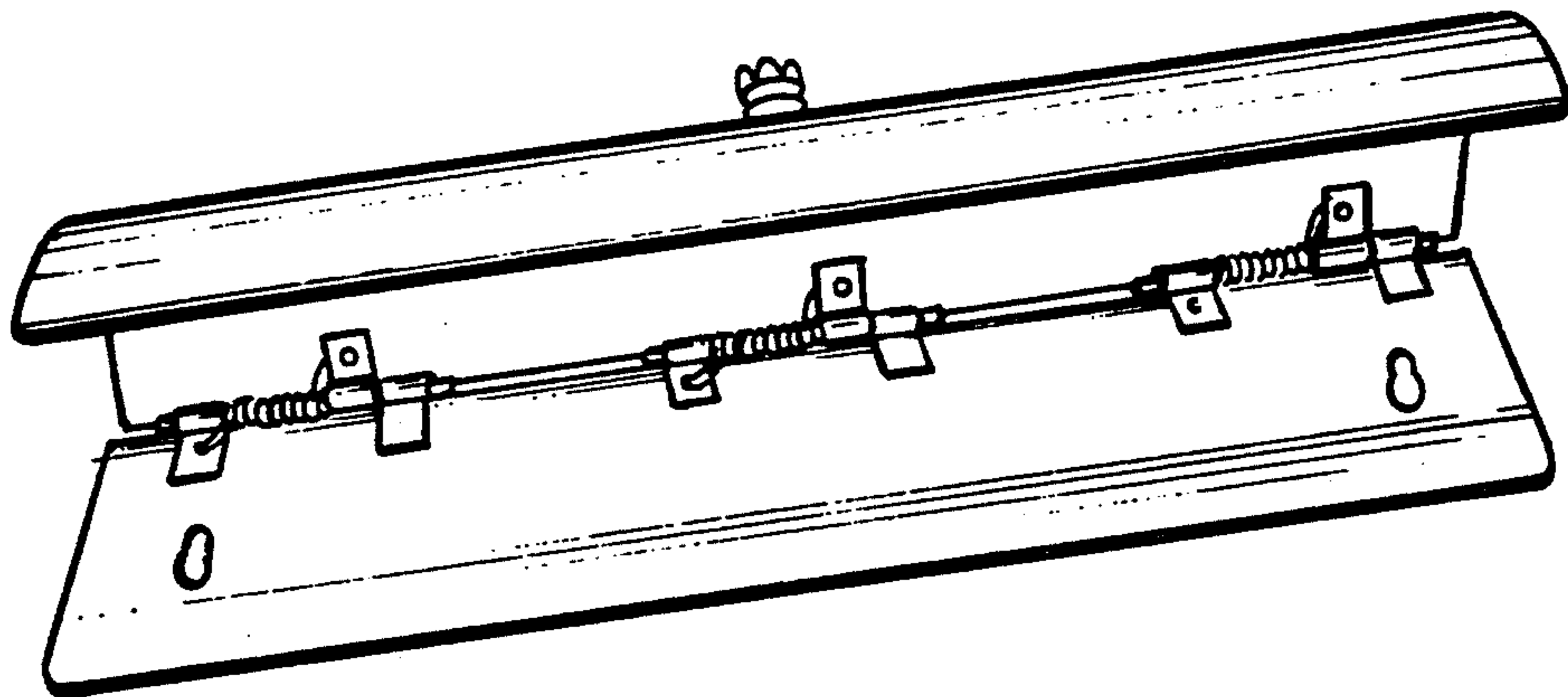
FIG. 2 is a front perspective view thereof, with the broken lines showing for illustrative purposes only and forming no part of the claimed design;

FIG. 3 is a left side elevational view thereof, with the opposite side being a mirror image;

FIG. 4 is a rear elevational view thereof;

FIG. 5 is a top plan view thereof; and,

FIG. 6 is a bottom plan view thereof.



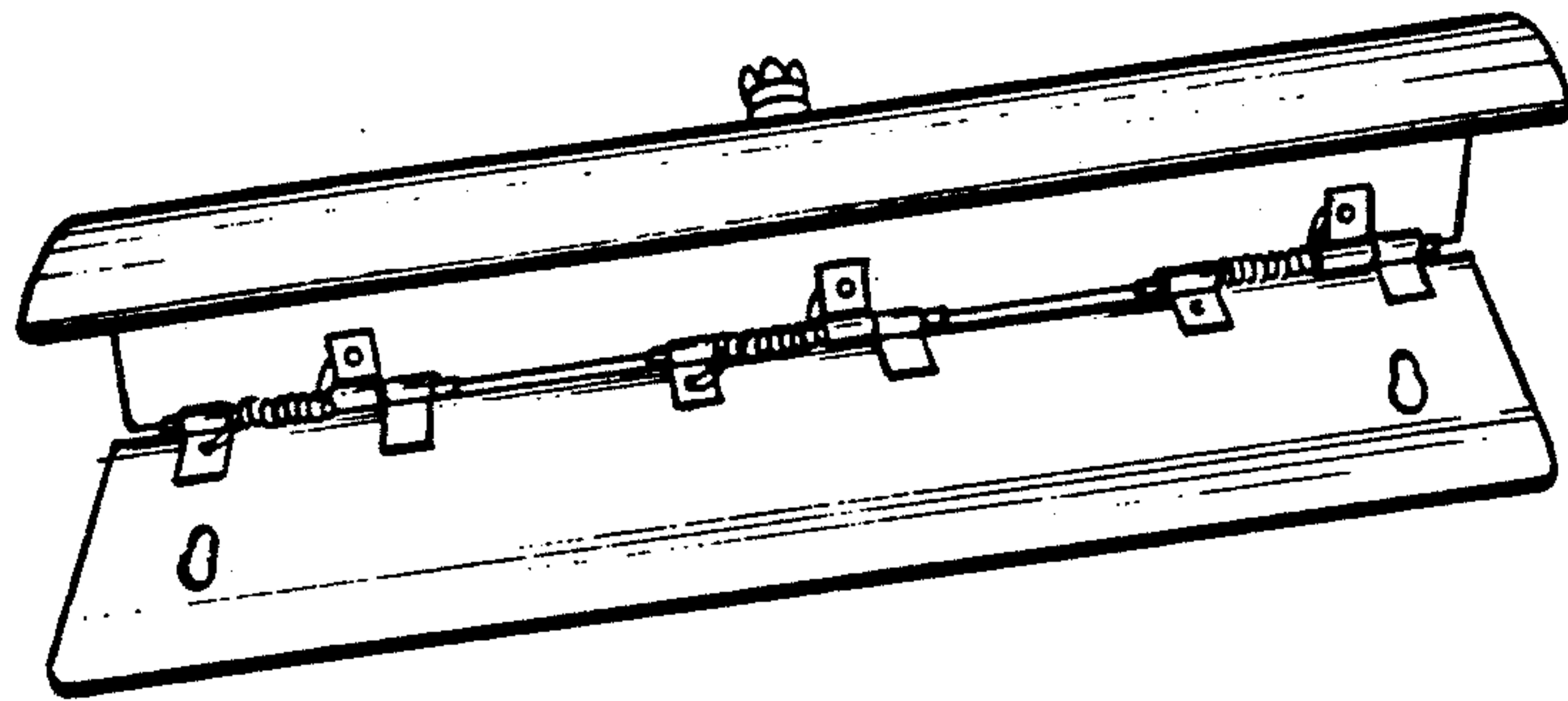


FIG-1

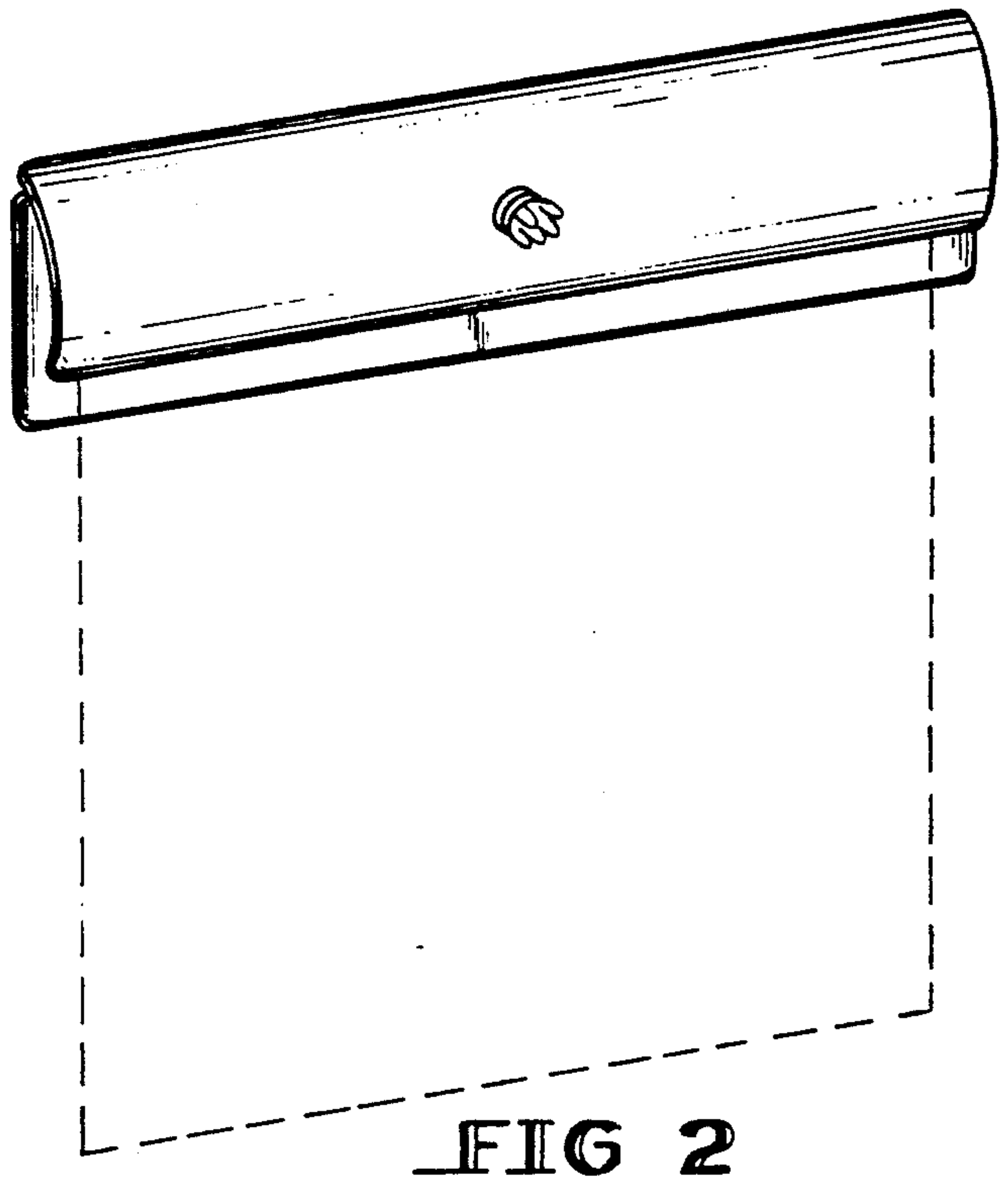


FIG 2

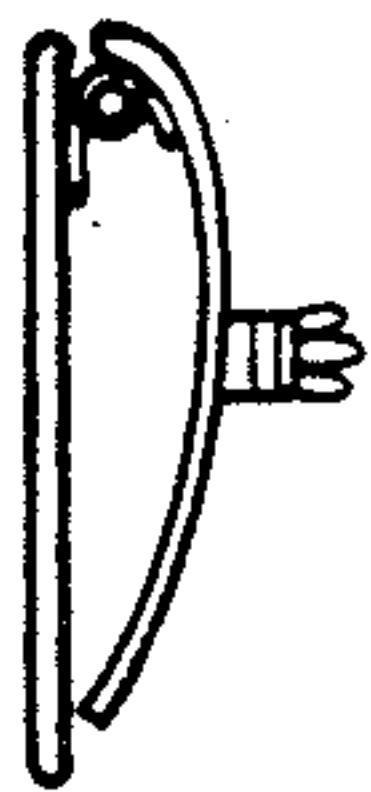


FIG-3

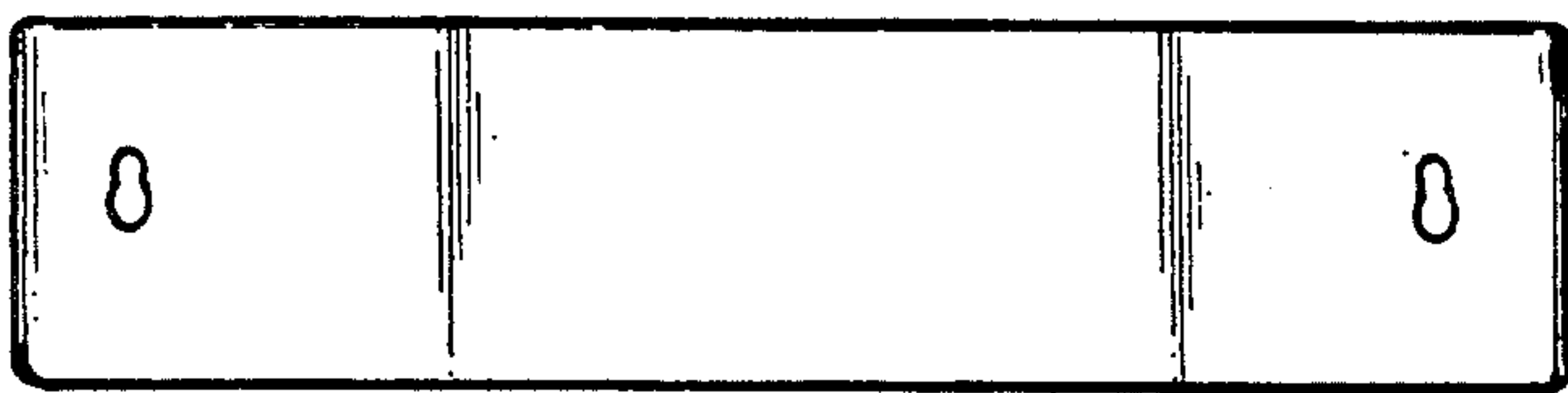


FIG-4

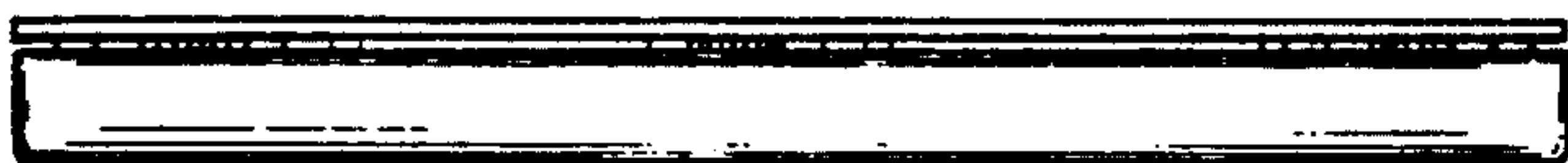


FIG-5



FIG-6