



US00D330219S

United States Patent [19]

[11] Patent Number: **Des. 330,219**

Carlson et al.

[45] Date of Patent: **** Oct. 13, 1992**

[54] **ADJUSTABLE DESK DRAWER ORGANIZER**

[75] Inventors: **Bruce W. Carlson**, Minneapolis, Minn.; **Dennis L. Crawford**, Roberts, Wis.; **David C. Windorski**, Woodbury, Minn.

[73] Assignee: **Minnesota Mining and Manufacturing Company**, St. Paul, Minn.

[**] Term: **14 Years**

[21] Appl. No.: **639,941**

[22] Filed: **Jan. 11, 1991**

[52] U.S. Cl. **D19/77; D3/74; D19/75; D19/78; D19/92**

[58] Field of Search **D19/67-69, D19/35, 36, 65, 75, 77, 78, 86, 92, 95, 99, 100, 206/214, 224, 371; 211/69.1-69.9**

[56] **References Cited**

U.S. PATENT DOCUMENTS

- D. 66,323 12/1924 Cummings D19/78 X
- D. 253,180 10/1979 Anderka D19/85
- D. 266,675 10/1982 Polhemus et al. D19/78 X
- D. 269,791 7/1983 Chatham D3/74 X
- D. 278,254 4/1985 Evenson D3/74 X
- D. 279,384 6/1985 Evenson D3/74 X

- D. 280,741 9/1985 Chatham D19/77
- D. 308,699 6/1990 Ancona et al. D19/77 X
- D. 319,075 8/1991 Sweeny et al. D19/78 X
- D. 323,532 1/1992 Evenson D19/77 X

Primary Examiner—Nelson C. Holtje
Assistant Examiner—Martha Thompson
Attorney, Agent, or Firm—Gary L. Griswold; Walter N. Kirn; William L. Huebsch

[57] **CLAIM**

The ornamental design for an adjustable desk drawer organizer, as shown and described.

DESCRIPTION

FIG. 1 is a top, right front perspective view of an adjustable desk drawer organizer showing our new design;

FIG. 2 is a top plan view;

FIG. 3 is a rear elevational view;

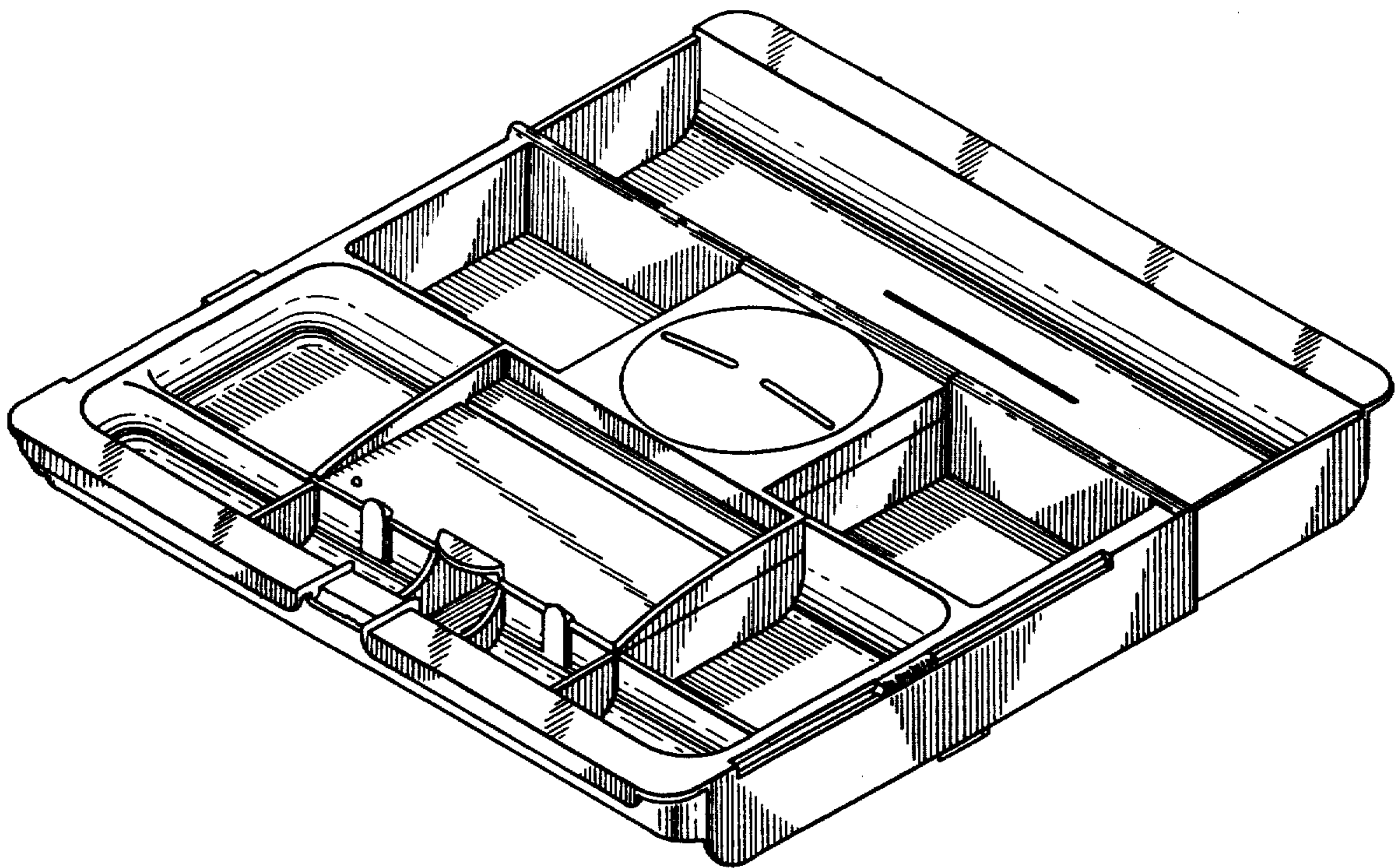
FIG. 4 is a bottom plan view;

FIG. 5 is a right side elevational view, the left side being a mirror image thereof;

FIG. 6 is a front elevational view; and,

FIG. 7 is a bottom plan view of the front section with the rear section removed for convenience of illustration.

FIGS. 2 through 7 have been drawn to a reduced scale with respect to FIG. 1.



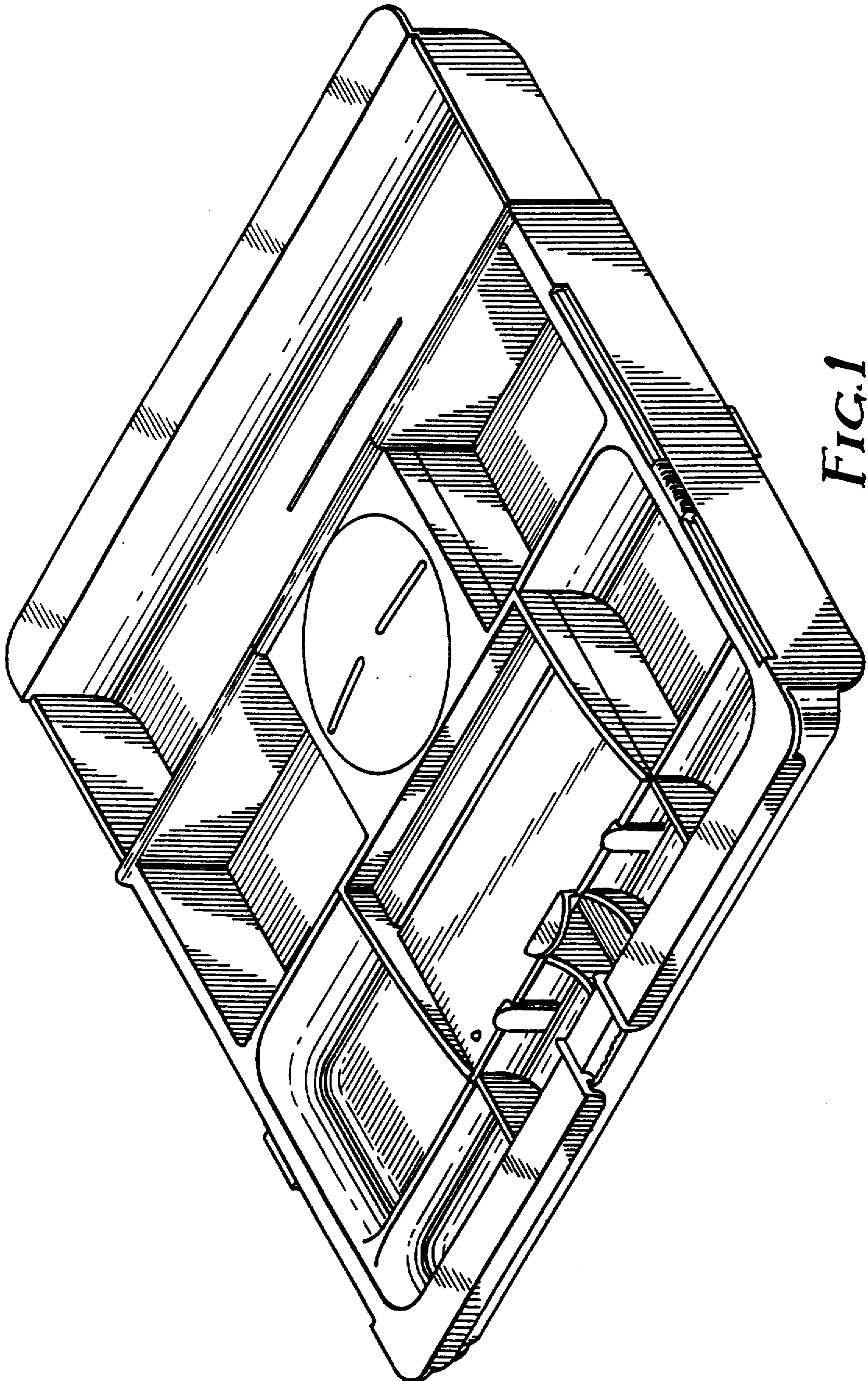


FIG. 1

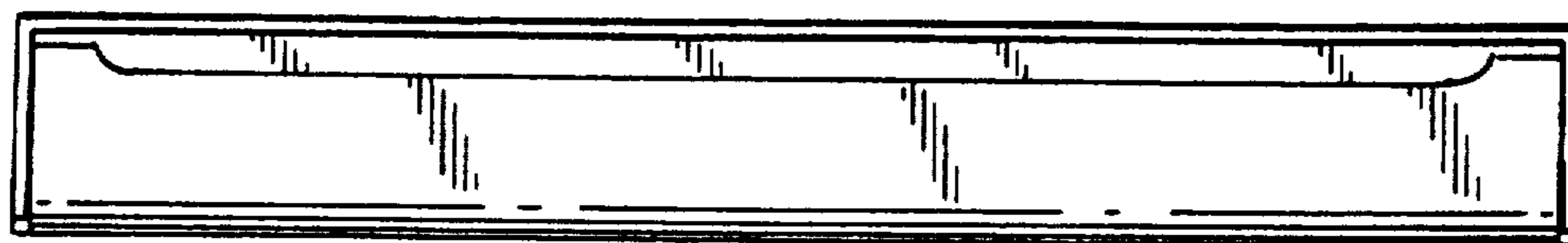


FIG. 3

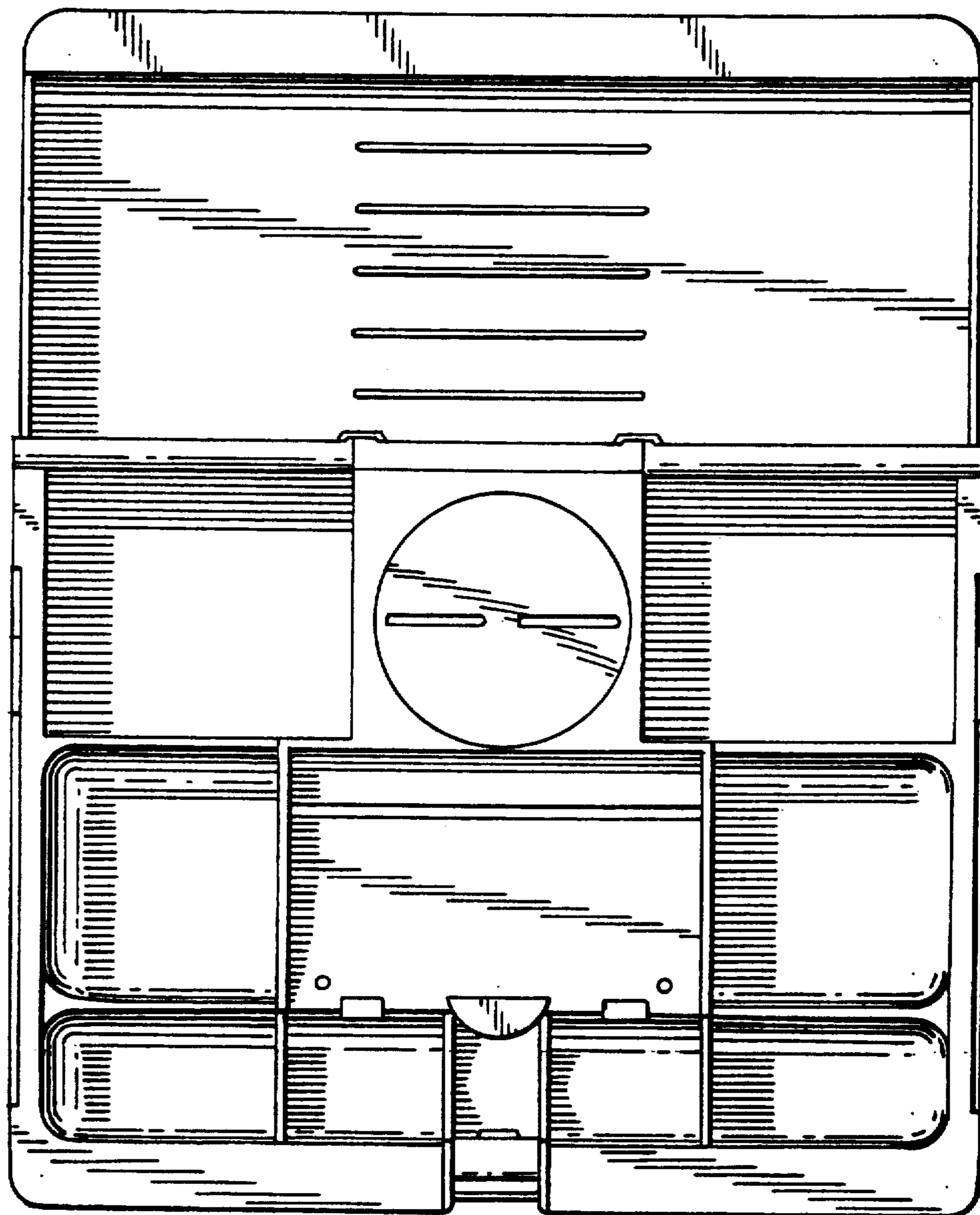


FIG. 2

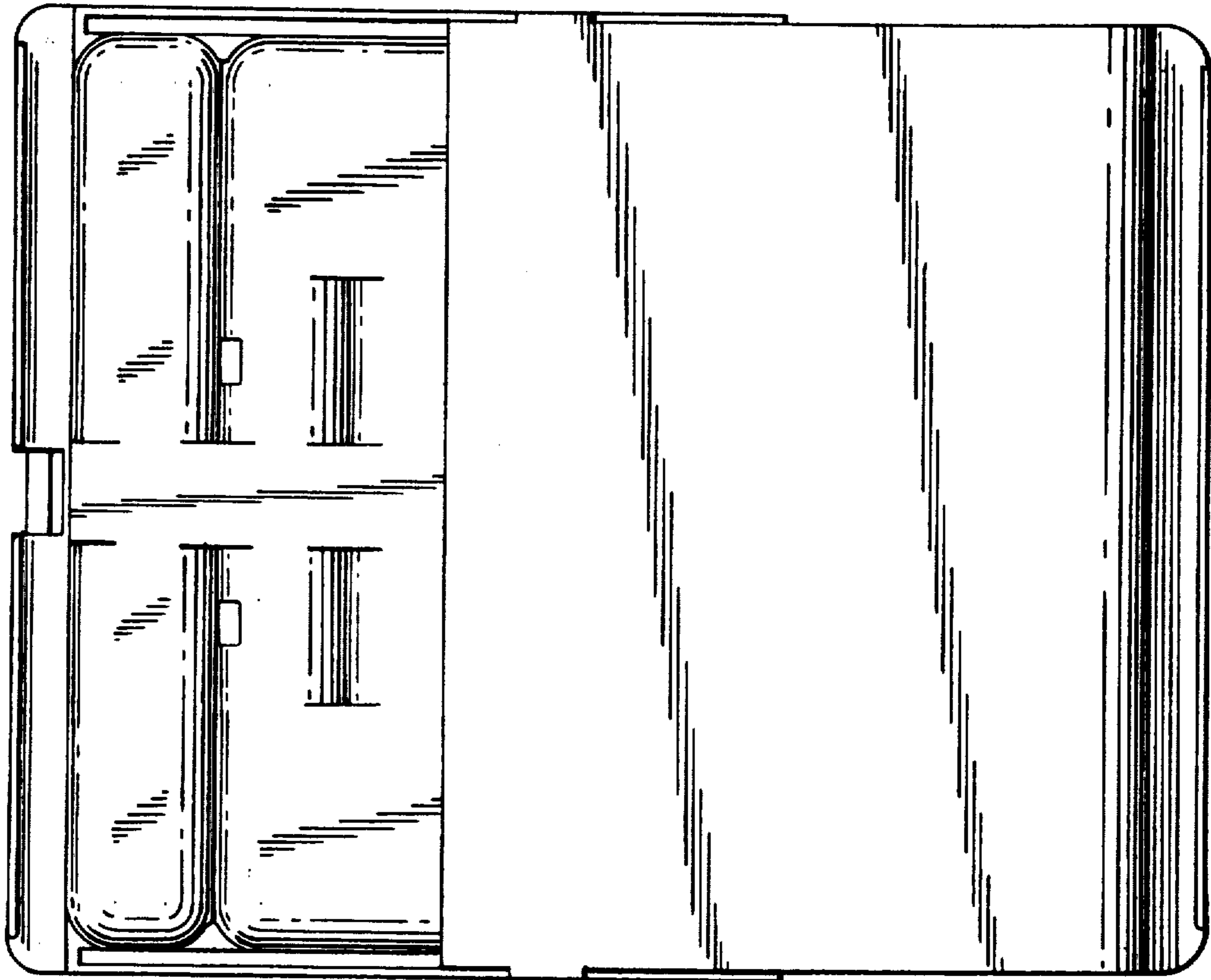


FIG. 4

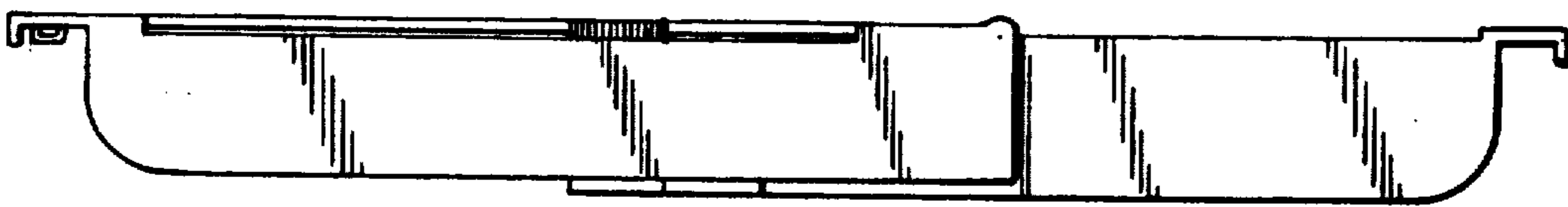


FIG. 5

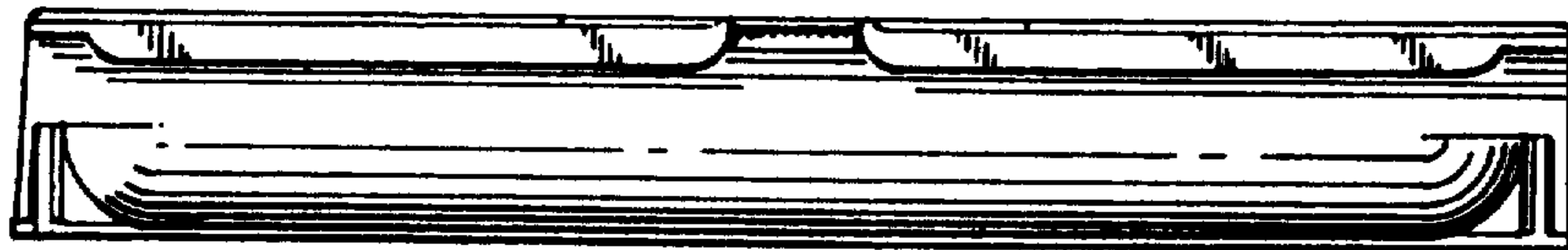


FIG. 6

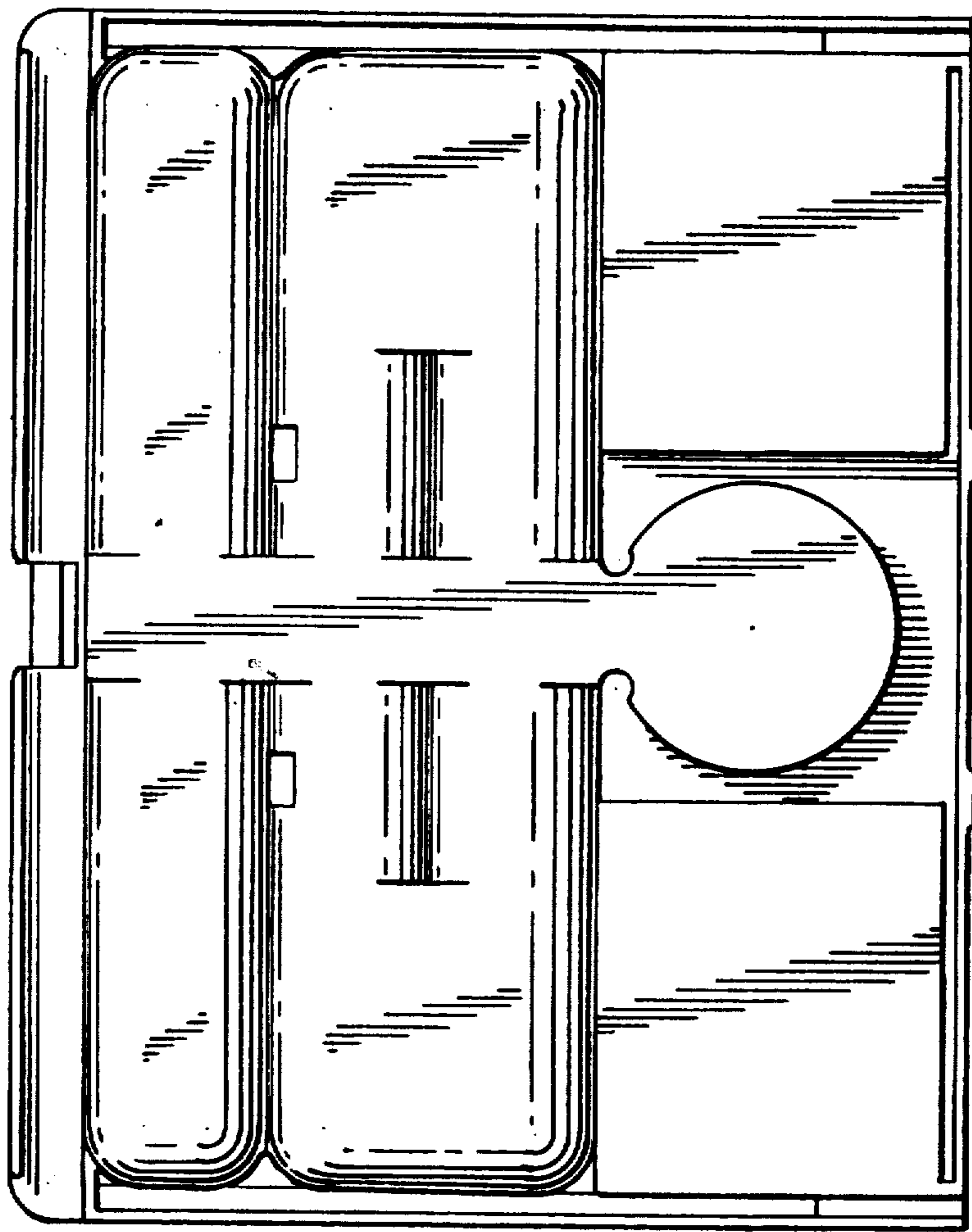


FIG. 7