



US00D330216S

United States Patent [19]
Mitcham

[11] **Patent Number: Des. 330,216**

[45] **Date of Patent: ** Oct. 13, 1992**

[54] **SPATIAL LIGHT MODULATOR EXPOSURE UNIT FOR A LASER PRINTER**

[75] **Inventor: Larry D. Mitcham, Temple, Tex.**

[73] **Assignee: Texas Instruments Incorporated, Dallas, Tex.**

[**] **Term: 14 Years**

[21] **Appl. No.: 454,871**

[22] **Filed: Dec. 21, 1989**

[52] **U.S. Cl. D18/56**

[58] **Field of Search D18/22; 346/108, 160**

[56] **References Cited**

U.S. PATENT DOCUMENTS

4,809,042	2/1989	Homma	346/160
4,952,946	8/1990	Clark et al.	346/108

Primary Examiner—Susan J. Lucas
Attorney, Agent, or Firm—Julie L. Reed; James C. Kesterson; Richard L. Donaldson

[57] **CLAIM**

The ornamental design for a spatial light modulator exposure unit for laser printer, as shown and described.

DESCRIPTION

FIG. 1 is a top, front perspective view of a spatial light modulator exposure unit for laser printer showing my new design;

FIG. 2 is a top plan view thereof;

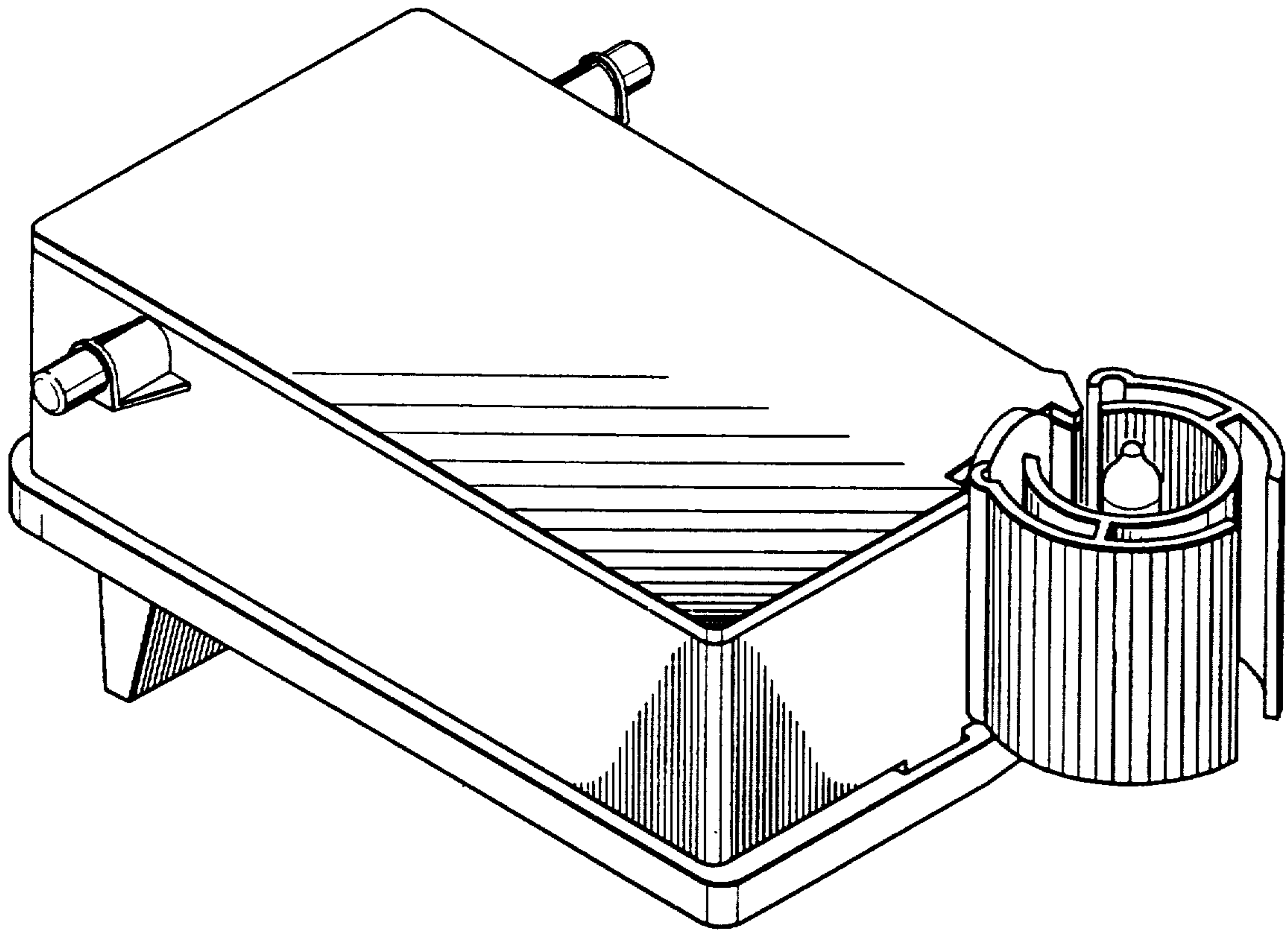
FIG. 3 is a left side elevational view thereof;

FIG. 4 is a right side elevational view thereof;

FIG. 5 is a front elevational view thereof;

FIG. 6 is a rear elevational view thereof; and,

FIG. 7 is a bottom plan view thereof.



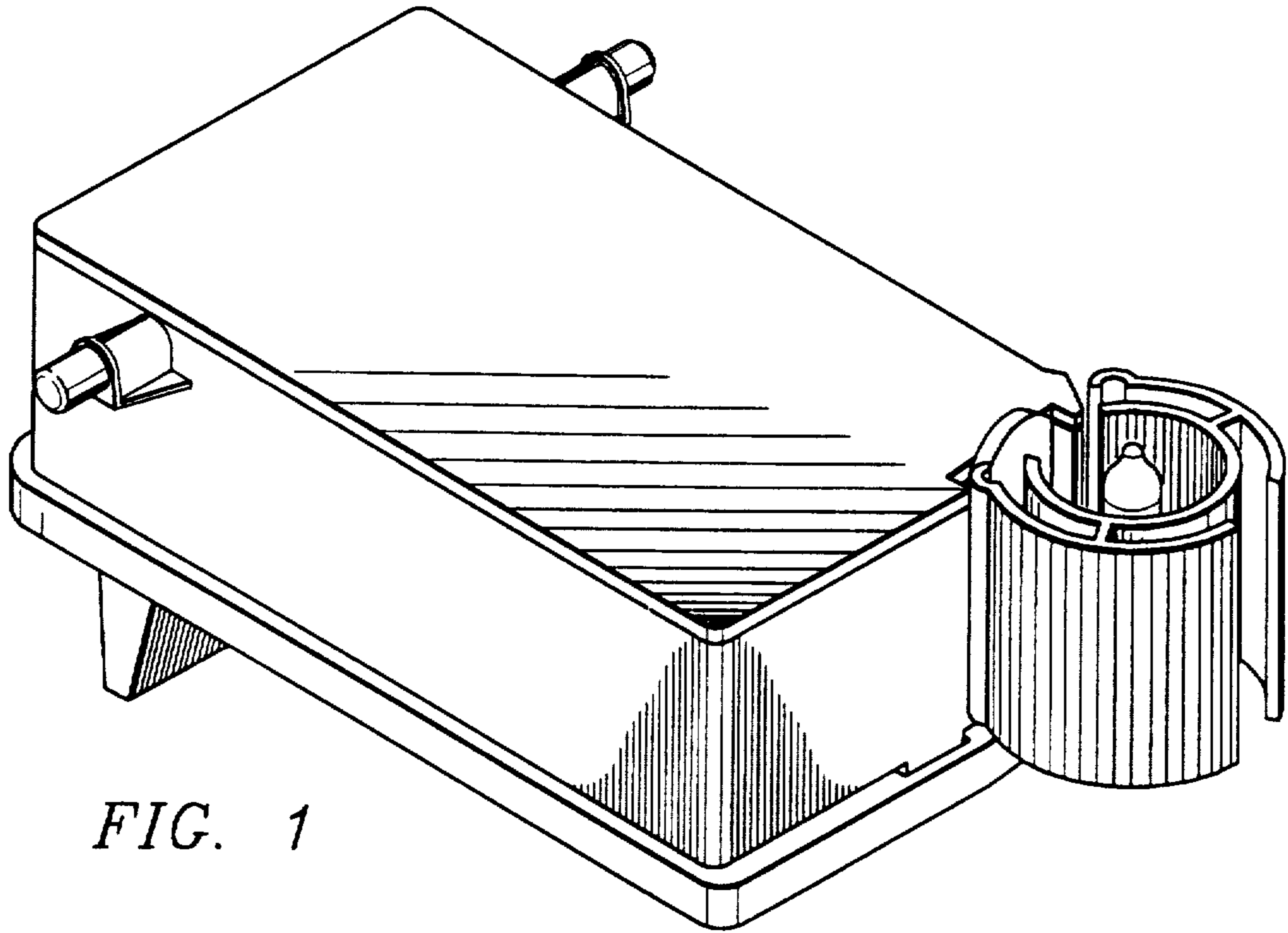


FIG. 1

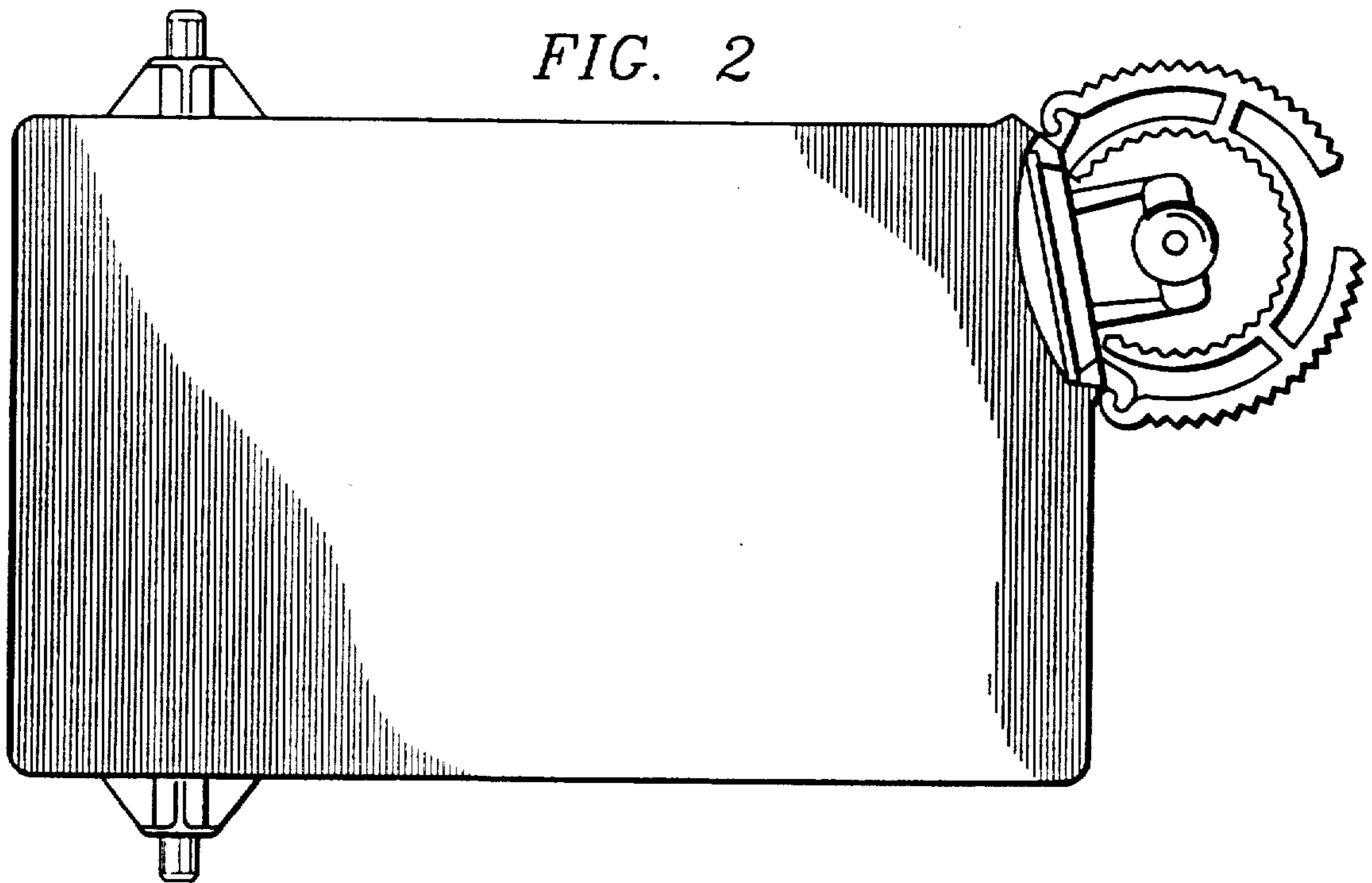
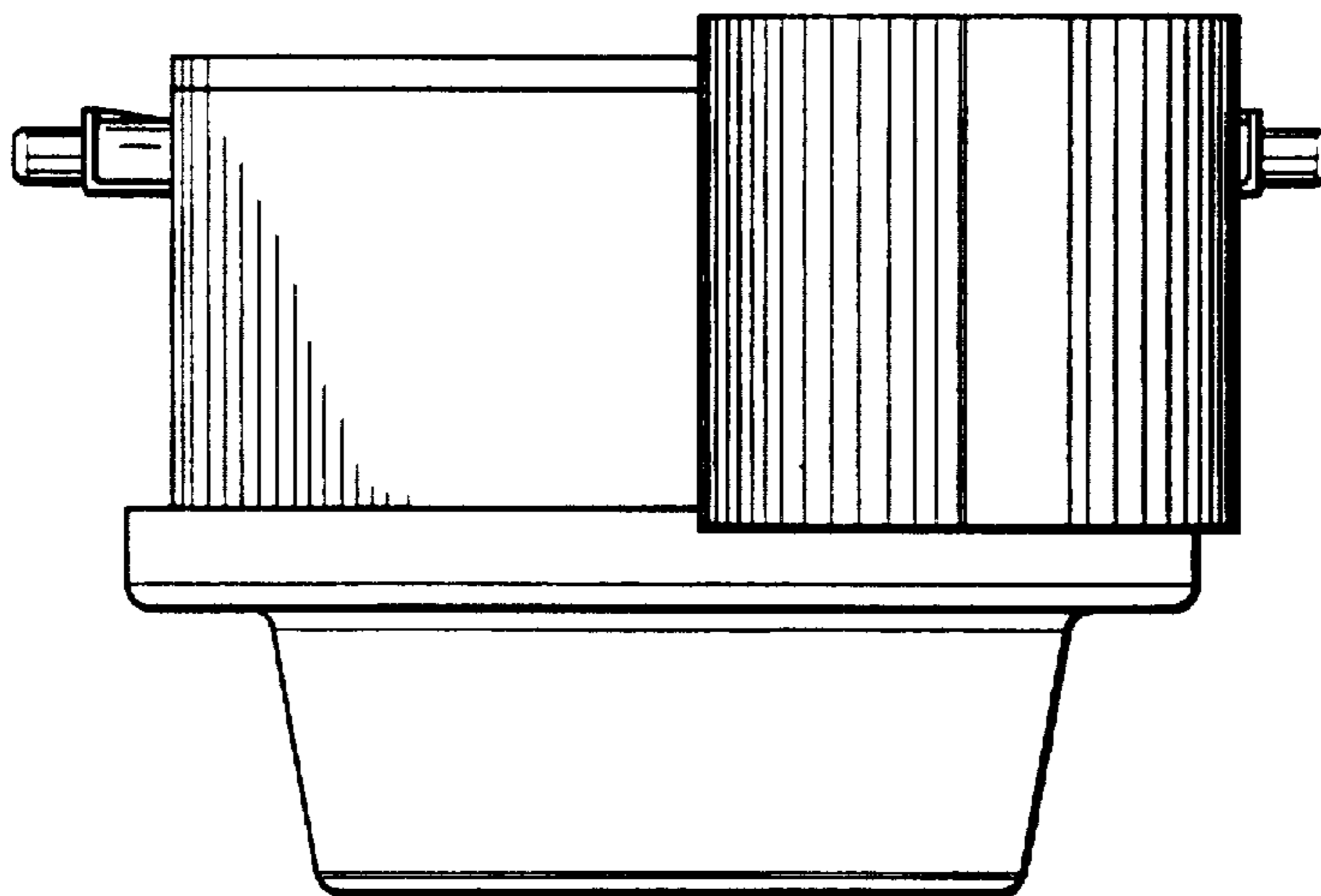
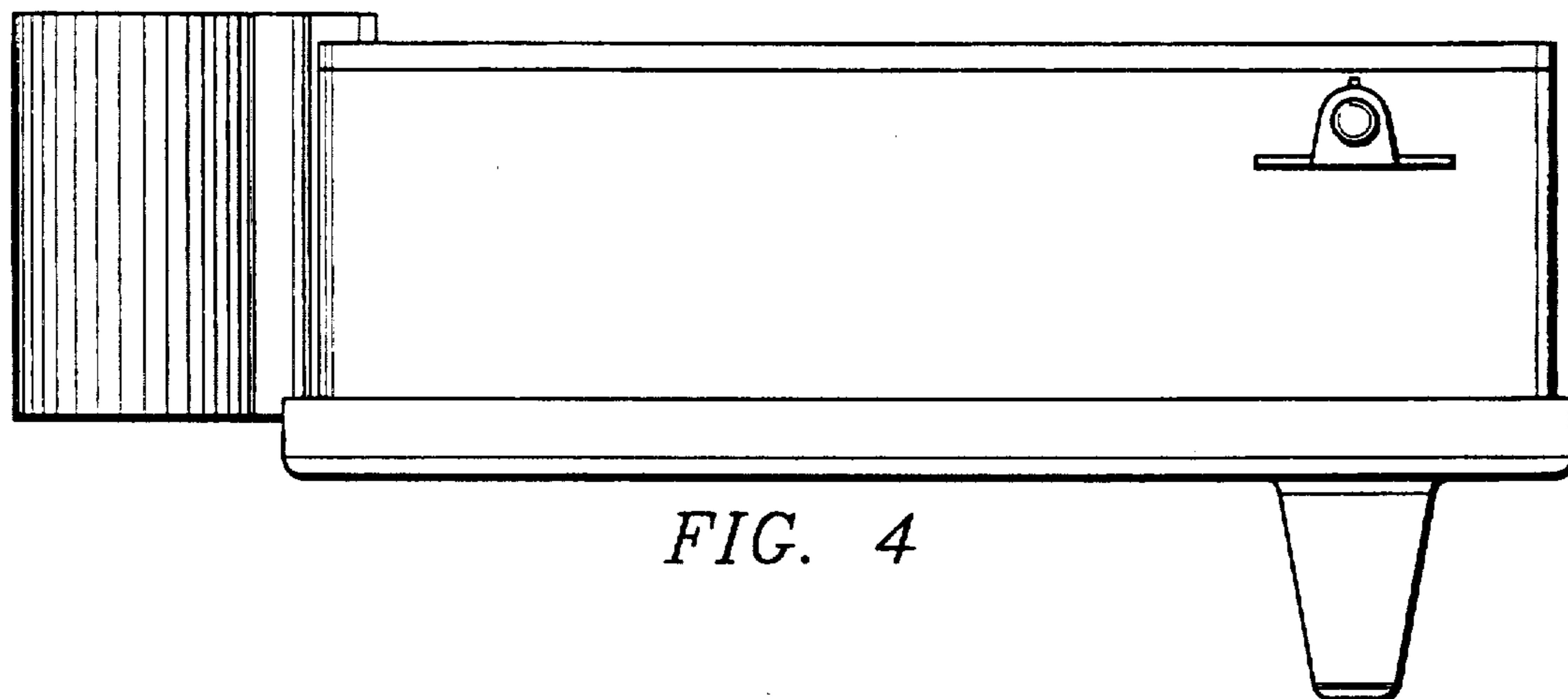
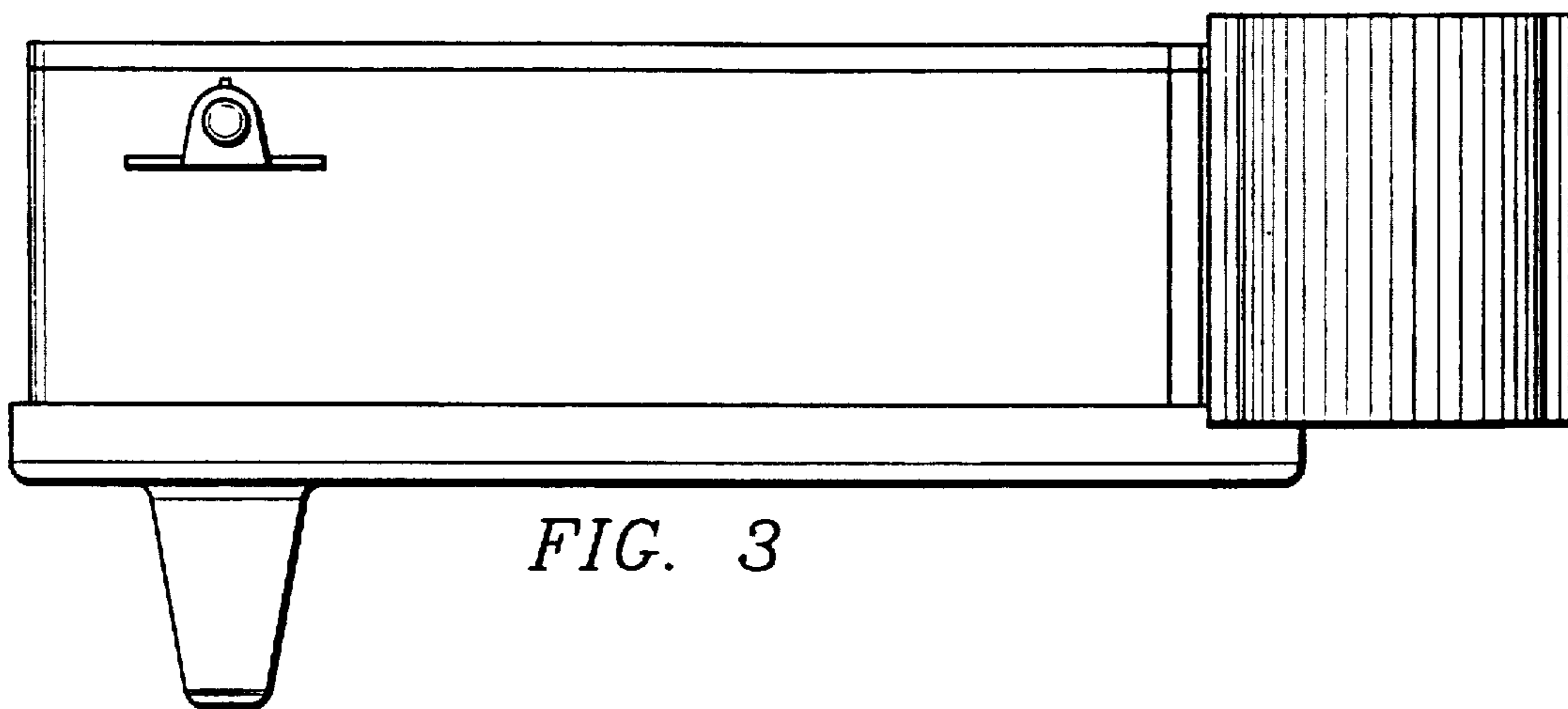


FIG. 2



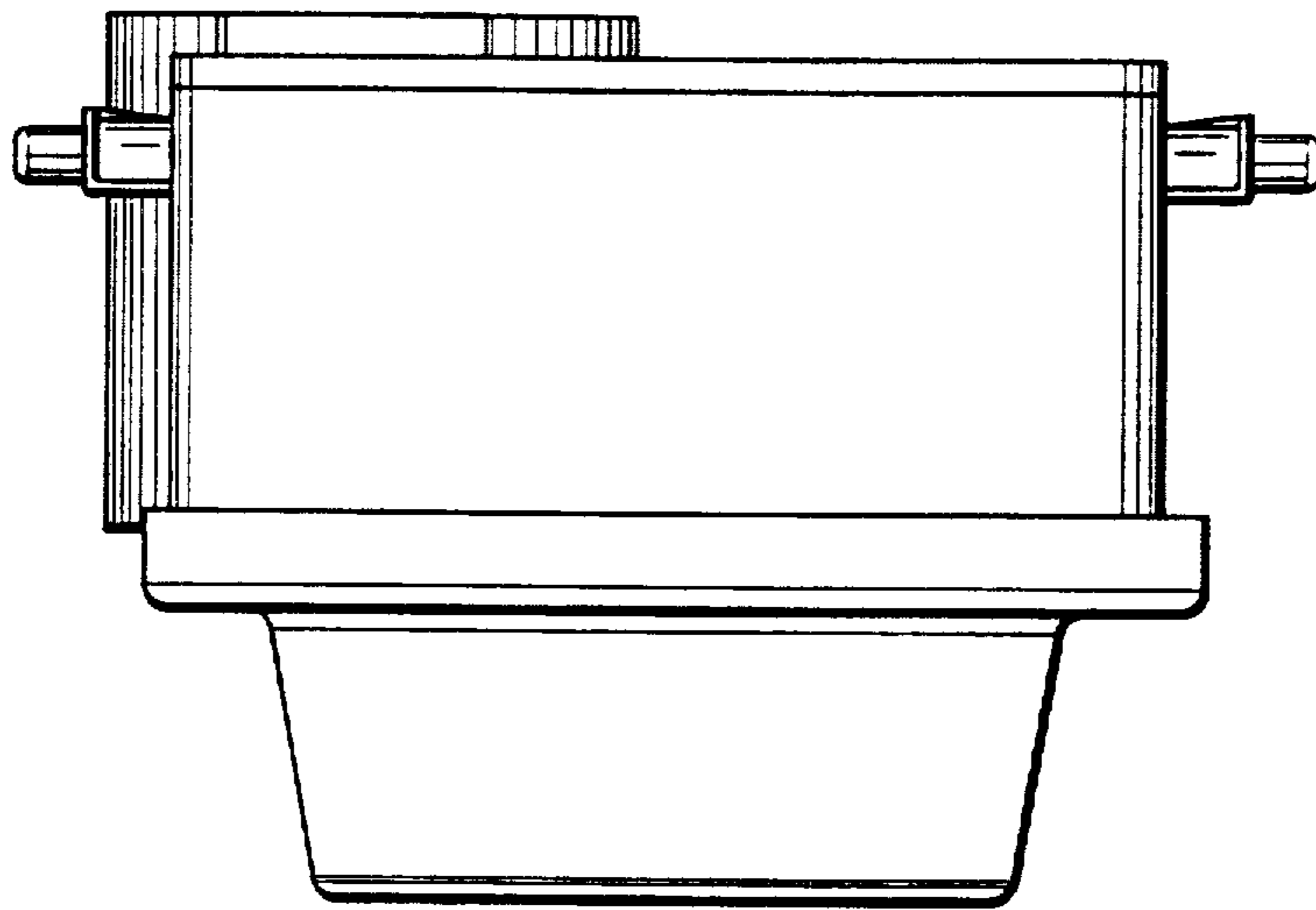


FIG. 6

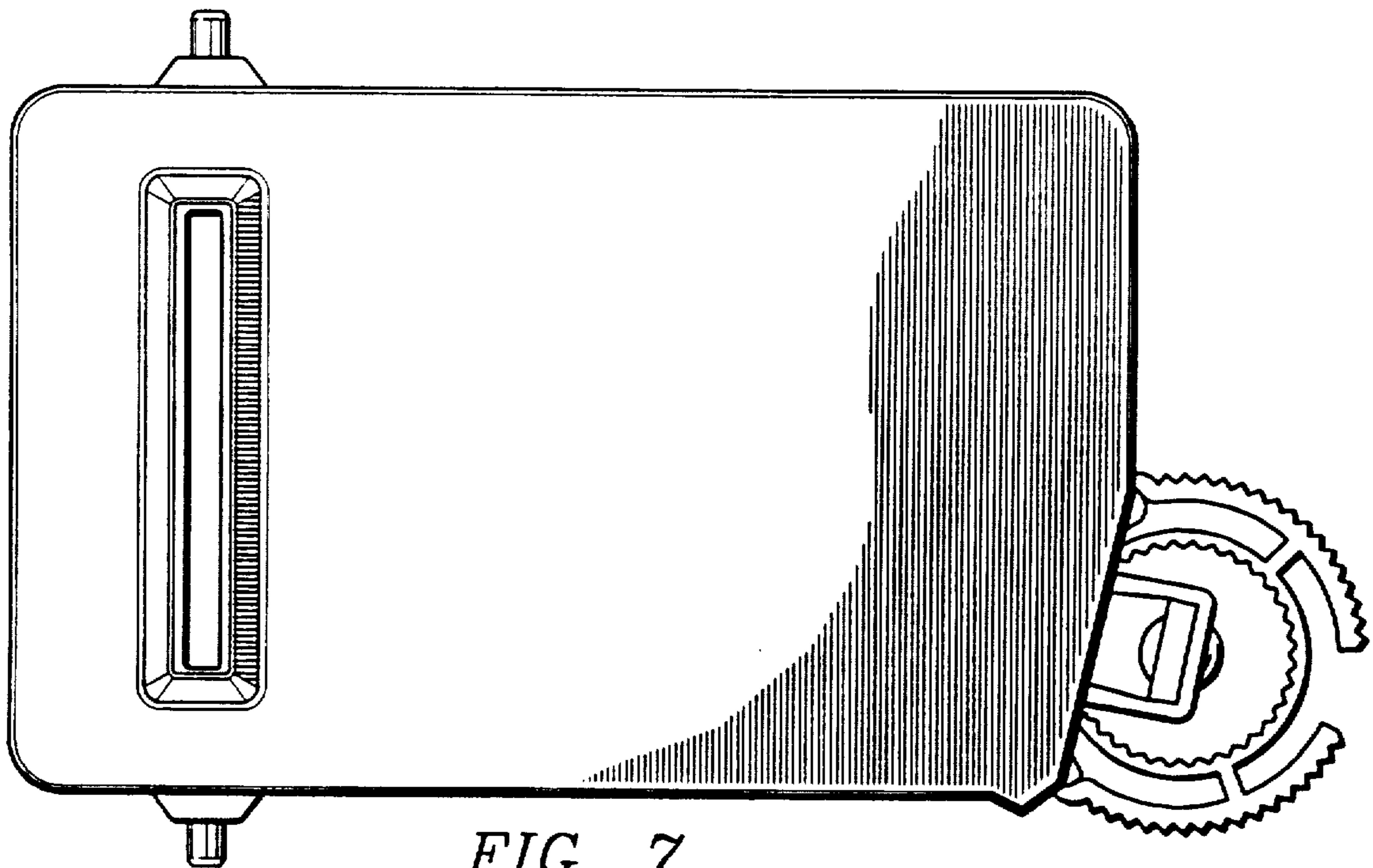


FIG. 7