



US00D330213S

United States Patent [19]

[11] Patent Number: Des. 330,213

Hiroki et al.

[45] Date of Patent: ** Oct. 13, 1992

[54] ELECTRONIC COPYING MACHINE

[75] Inventors: **Shinichi Hiroki**, Tokyo; **Masahiko Kashiwabara**, Yokohama; **Kunio Hara**, Ichihara, all of Japan

[73] Assignee: **Kabushiki Kaisha Toshiba**, Kawasaki, Japan

[**] Term: **14 Years**

[21] Appl. No.: **624,245**

[22] Filed: **Dec. 7, 1990**

[30] Foreign Application Priority Data

Jun. 8, 1990 [JP] Japan 2-19095

[52] U.S. Cl. **D18/36; D18/39**

[58] Field of Search **D18/36-39; D14/111, 112, 116, 118; 355/200, 210, 231, 233-236, 245, 326-328**

[56] References Cited

U.S. PATENT DOCUMENTS

D. 200,272	2/1965	Balmer et al.	D18/38
D. 258,964	4/1981	Bright et al.	D18/38
D. 308,392	6/1990	Hara et al.	D18/38
D. 312,653	12/1990	Nakamura et al.	D18/37
D. 316,424	4/1991	Komada et al.	D18/39
D. 320,041	9/1991	Komada et al.	D18/39
4,114,998	9/1978	Shimizu et al.	355/200

FOREIGN PATENT DOCUMENTS

752019 1/1989 Japan .

OTHER PUBLICATIONS

Toshiba Plain Paper Copier Brochure; Model BD-3201.

SF-8400A Brochure, Sharp Corporation, May 1990.

Konica 8010 Brochure, Konica Corporation, May, 1989.

Denpa Newspaper Advertisement, Jun. 27, 1989, Ricoh Corporation.

Brochure of Sharp Corporation Electronic Copying Machine (SF-8300) Aug. 1989.

Primary Examiner—Donald P. Walsh

Assistant Examiner—Caron D. Veynar

Attorney, Agent, or Firm—Oblon, Spivak, McClelland, Maier & Neustadt

[57] CLAIM

The ornamental design for an electronic copying machine, as shown and described.

DESCRIPTION

FIG. 1 is a top, front and right side perspective view of an electronic copying machine showing our new design with the platen cover and sub-control panel in the open position;

FIG. 2 is a top plan view thereof;

FIG. 3 is a left side elevational view thereof;

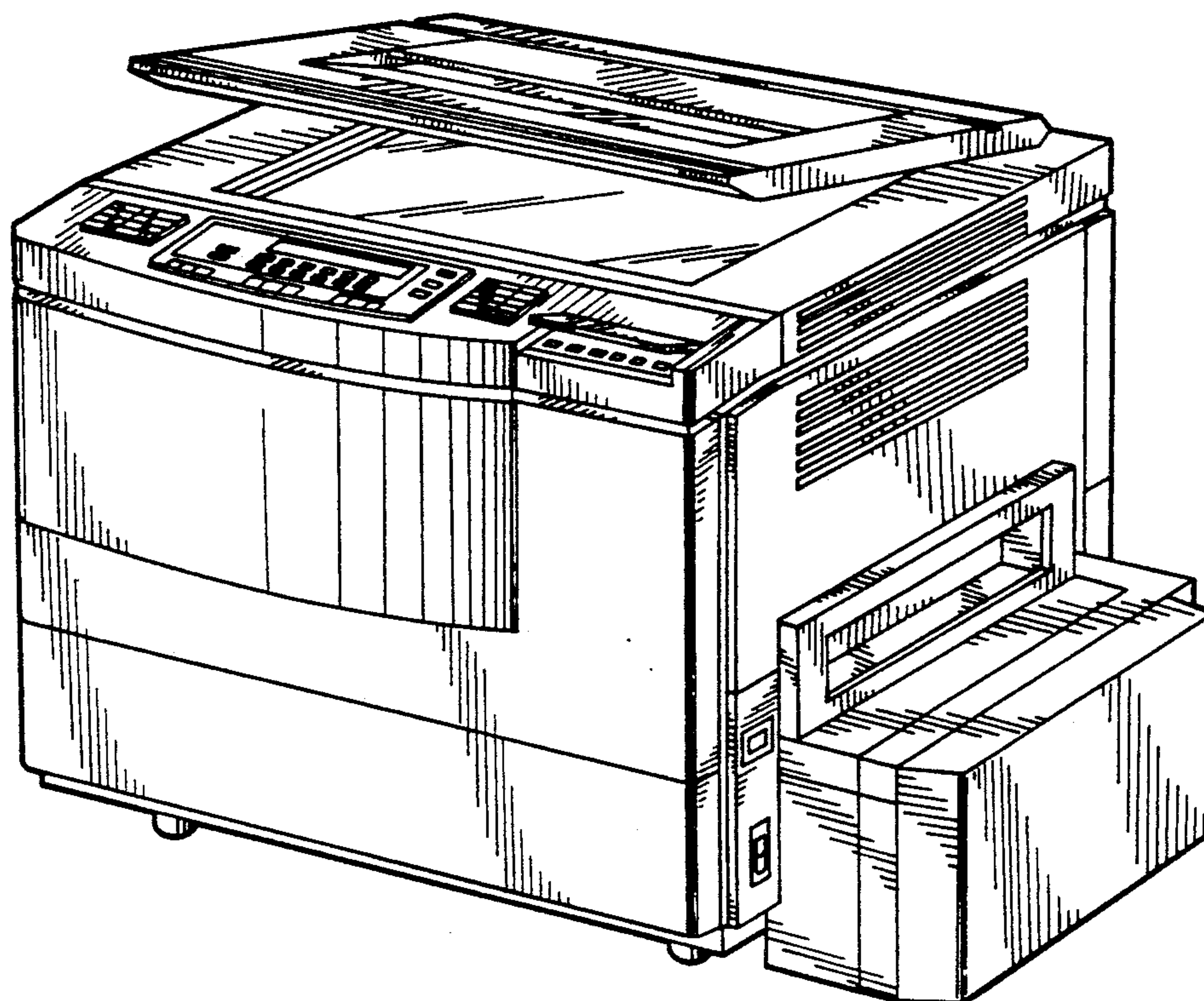
FIG. 4 is a front elevational view thereof;

FIG. 5 is a right side elevational view thereof;

FIG. 6 is a bottom plan view thereof;

FIG. 7 is a rear elevational view thereof; and,

FIG. 8 is an enlarged fragmentary view of the control panel in an activated condition.



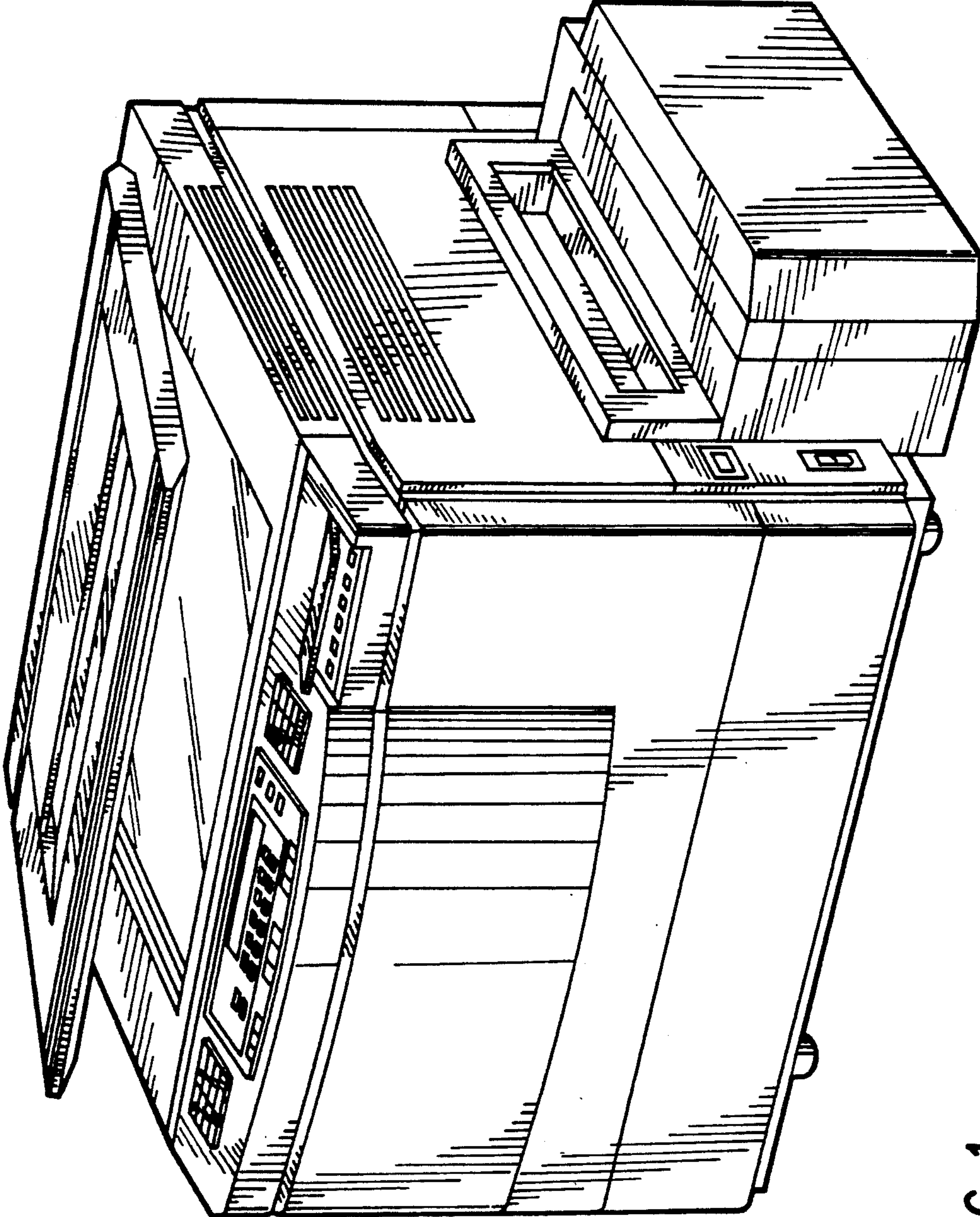


FIG. 1

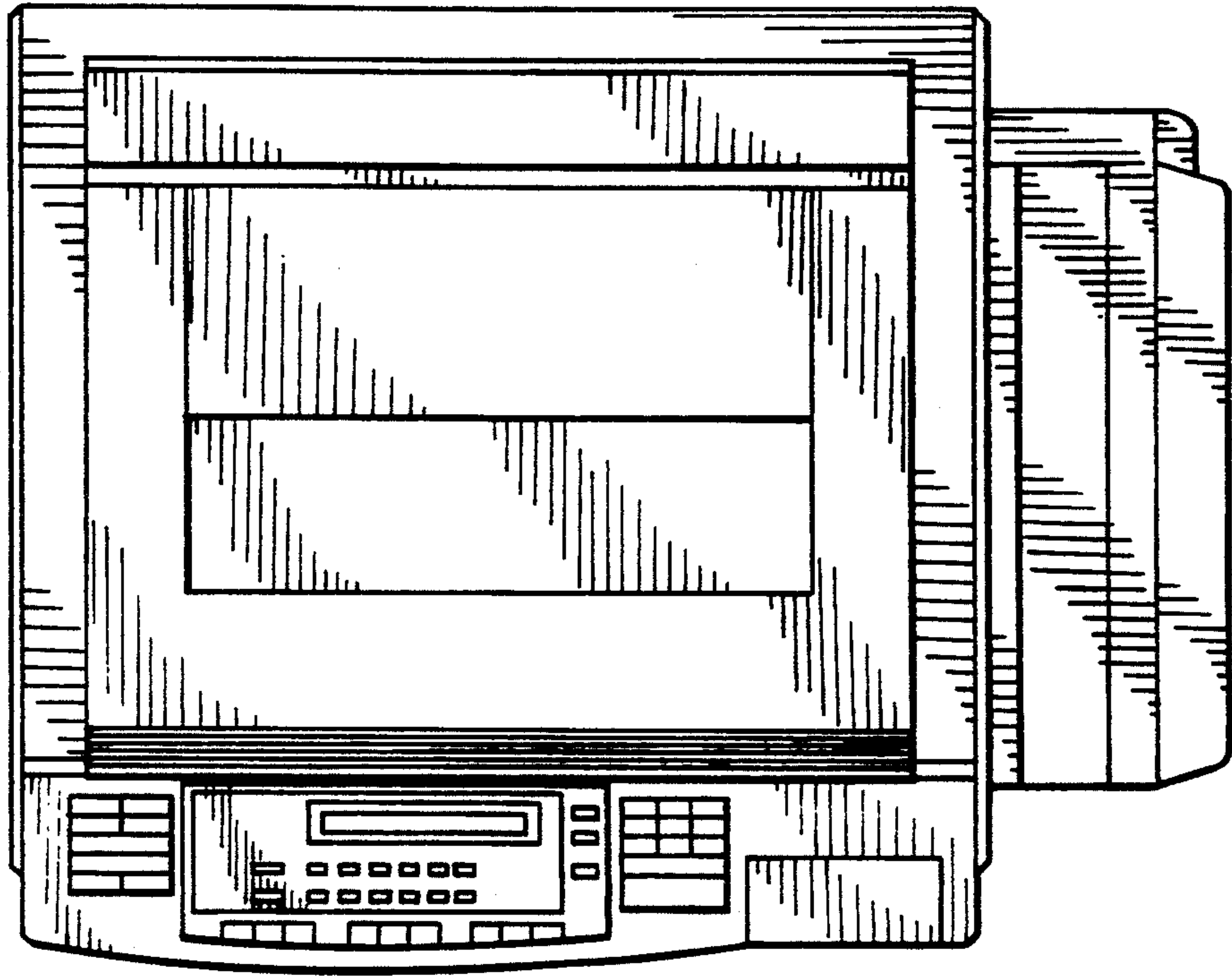


FIG. 2

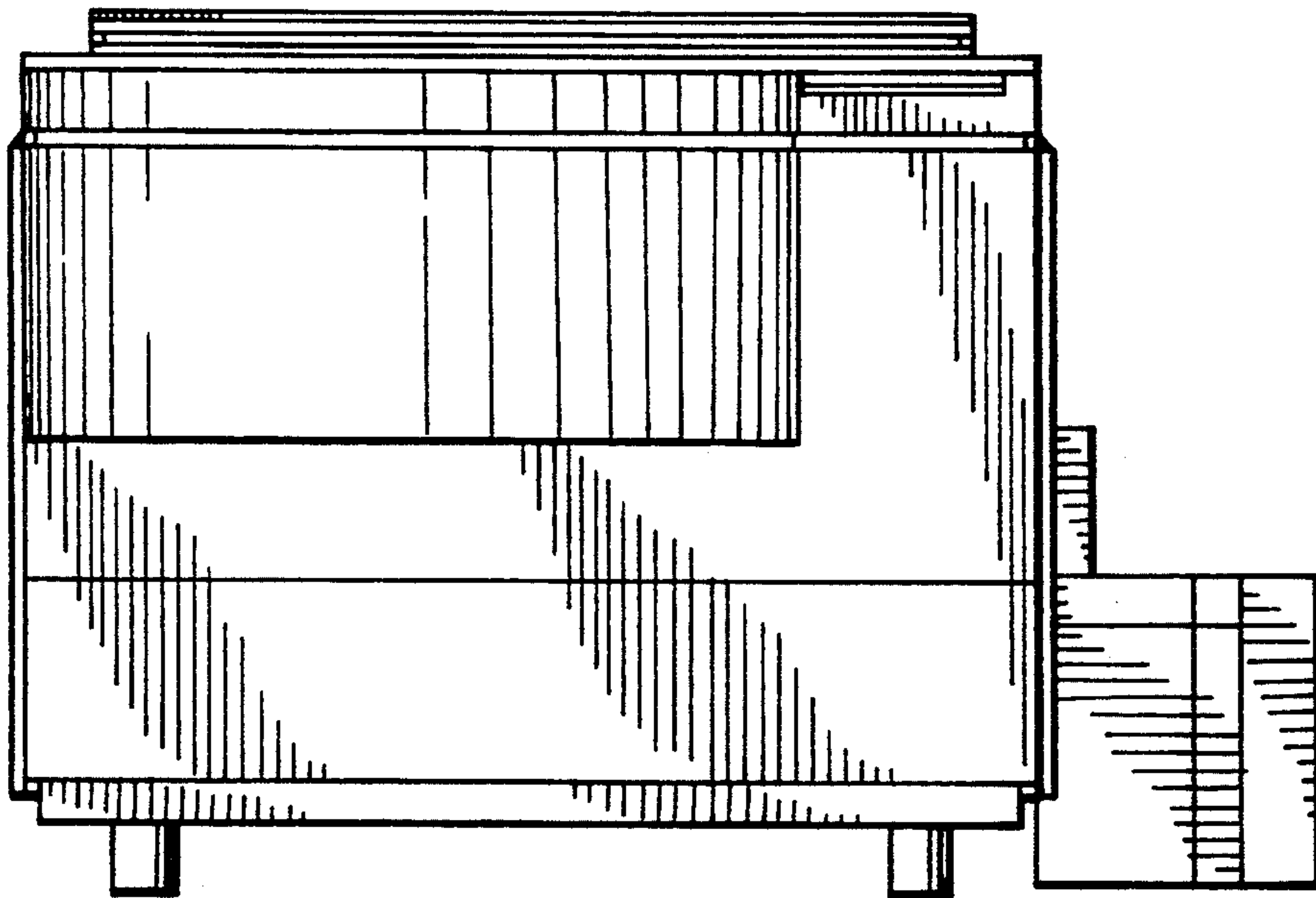


FIG. 4

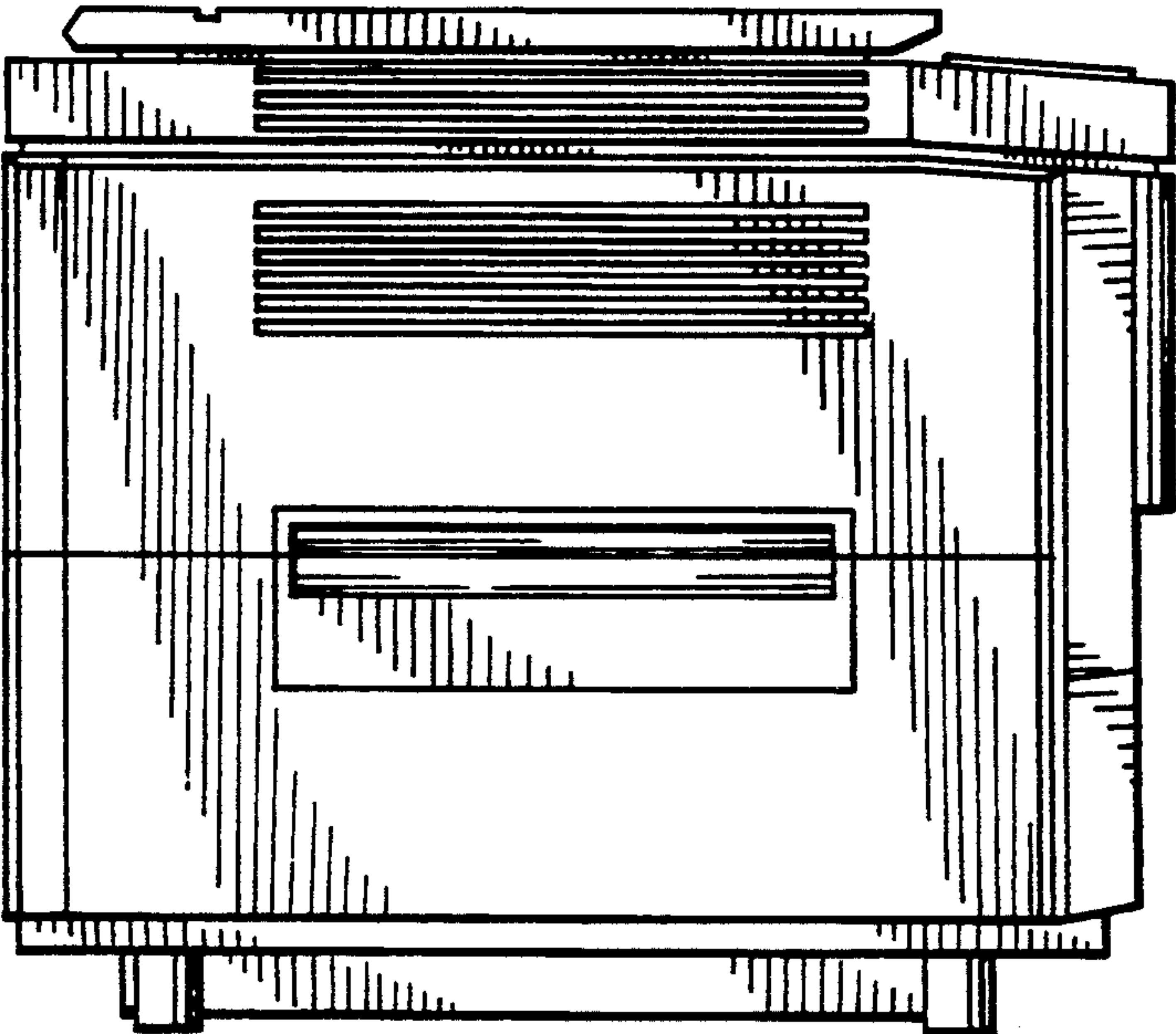


FIG. 3

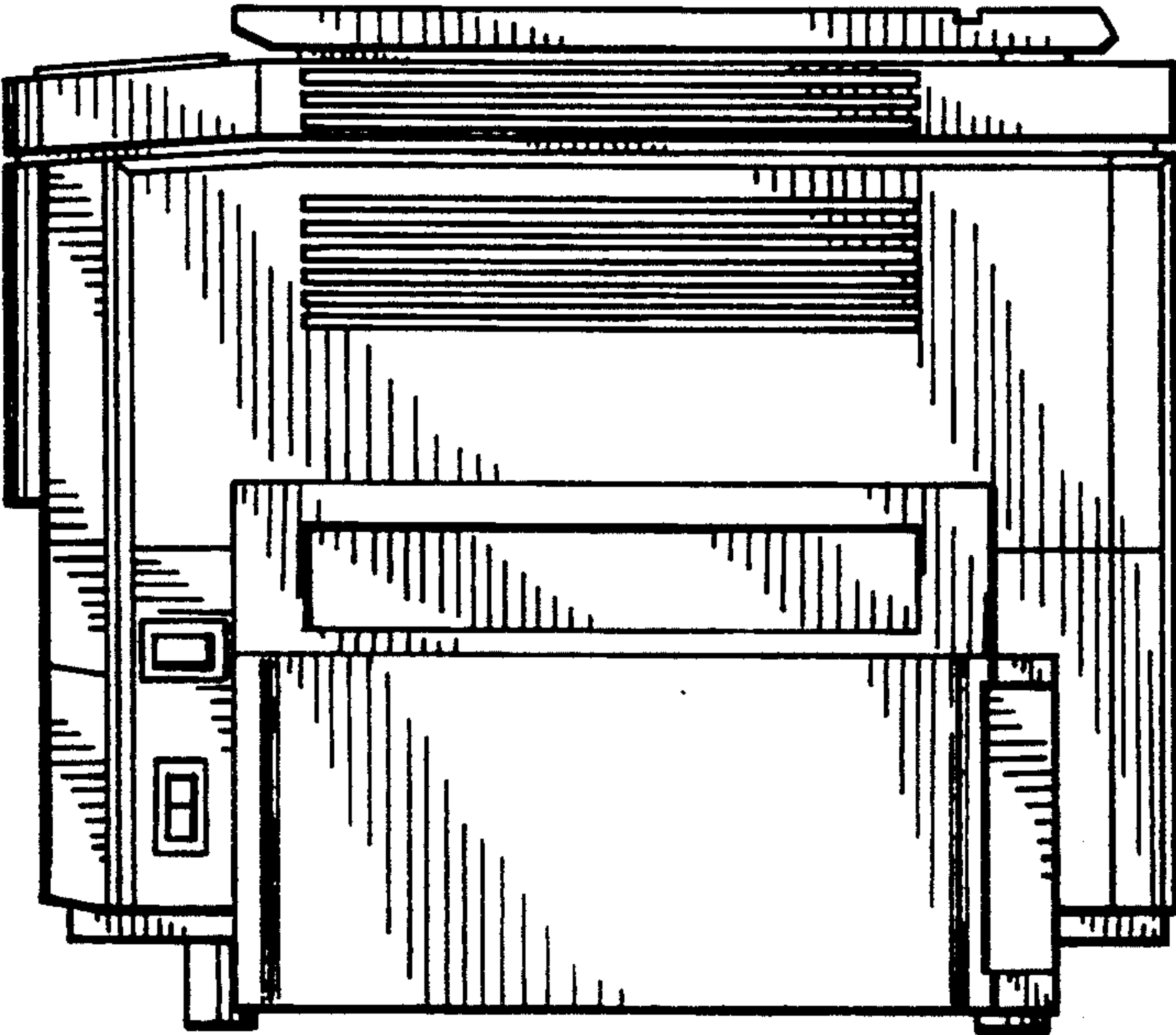


FIG. 5

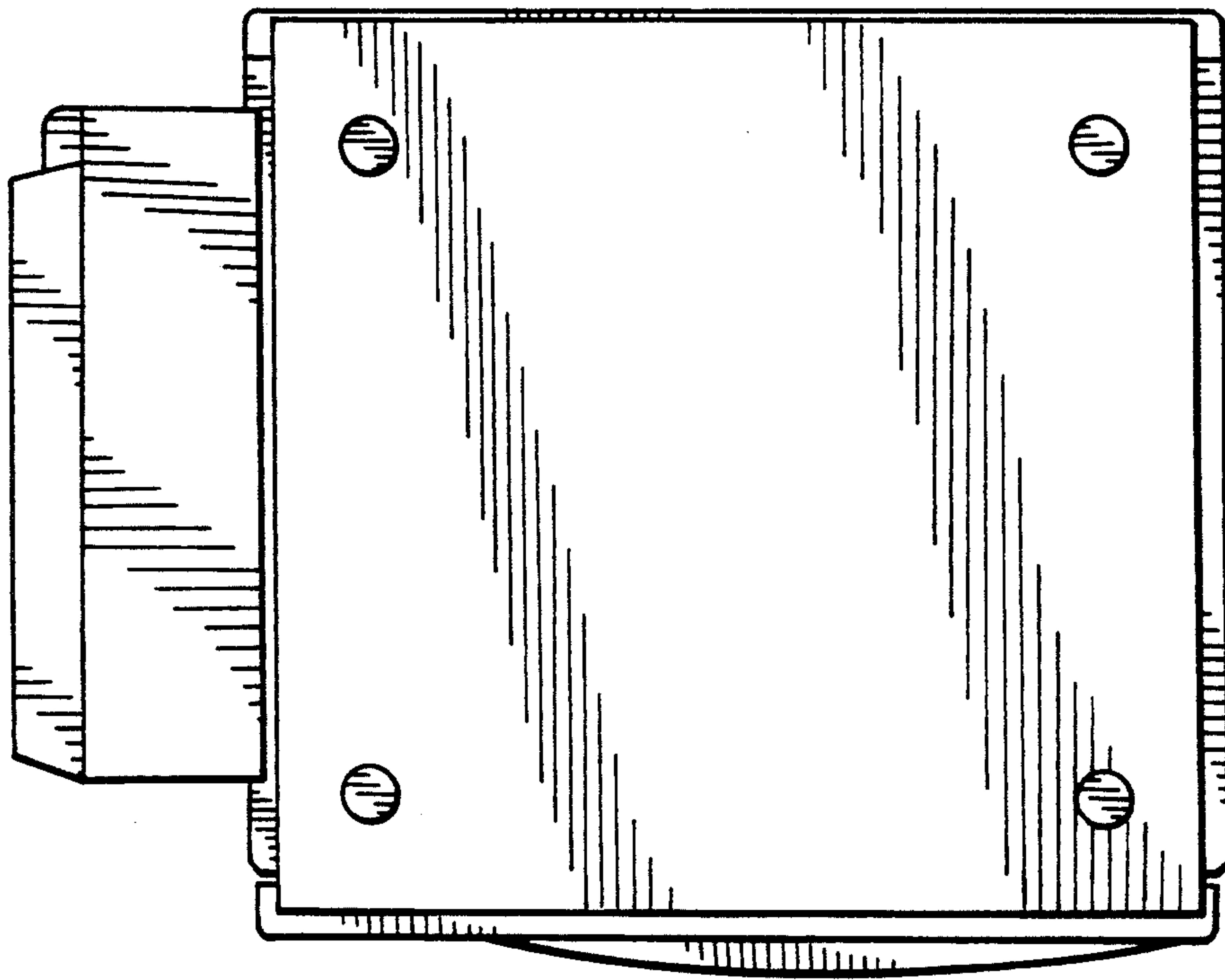


FIG. 6

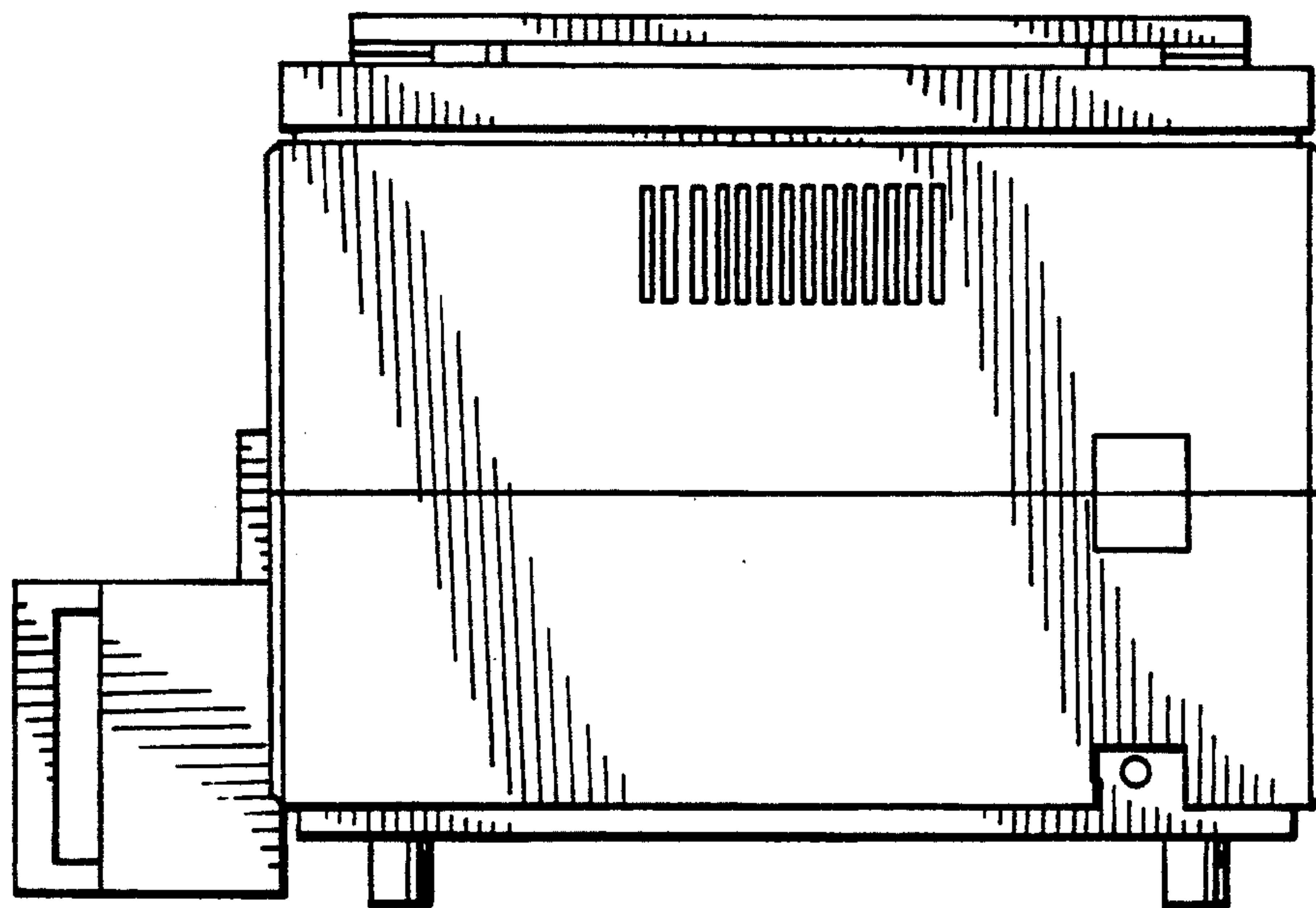


FIG. 7

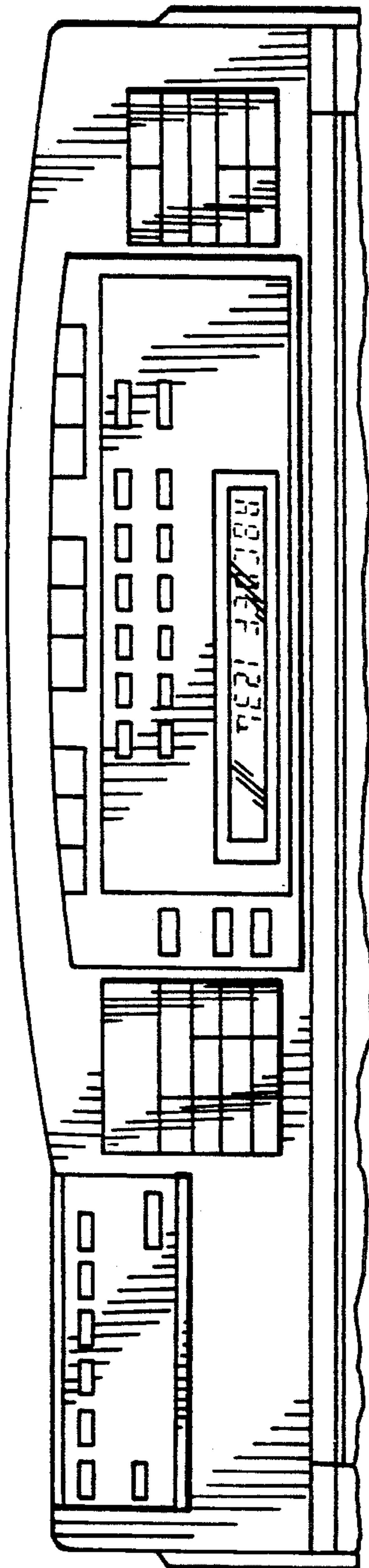


FIG. 8