



US00D330211S

United States Patent [19]

[11] Patent Number: **Des. 330,211**

Degnan

[45] Date of Patent: **** Oct. 13, 1992**

[54] **DOOR VIEWER**

4,050,792	9/1977	Svensson	359/504
4,251,127	2/1981	Yamaguchi	359/504
4,269,474	5/1981	Kamamura	359/504
4,964,711	10/1990	Degnan	.

[75] Inventor: **Donald E. Degnan**, New York, N.Y.

[73] Assignee: **Rudolph-Desco Co., Ltd.**, Englewood Cliffs, N.J.

[**] Term: **14 Years**

Primary Examiner—A. Hugo Word
Assistant Examiner—Doris V. Coles
Attorney, Agent, or Firm—Hedman, Gibson & Costigan

[21] Appl. No.: **788,759**

[57] **CLAIM**

[22] Filed: **Nov. 7, 1991**

The ornamental design for a door viewer, as shown.

[52] U.S. Cl. **D16/130; D16/132; D16/135**

DESCRIPTION

[58] Field of Search **D16/130, 132, 134, 135; 359/504, 744, 356, 362, 894**

FIG. 1 is a perspective view of a door viewer, showing my new design;

FIG. 2 is a left side elevational view thereof;

FIG. 3 is a bottom plan view thereof;

FIG. 4 is a right side elevational view thereof;

FIG. 5 is a top plan view thereof;

FIG. 6 is a front elevational view thereof; and,

FIG. 7 is a rear elevational view thereof.

[56] **References Cited**

U.S. PATENT DOCUMENTS

D. 310,940	9/1990	Degnan	D16/130 X
3,973,835	8/1976	Miyakawa et al.	359/504

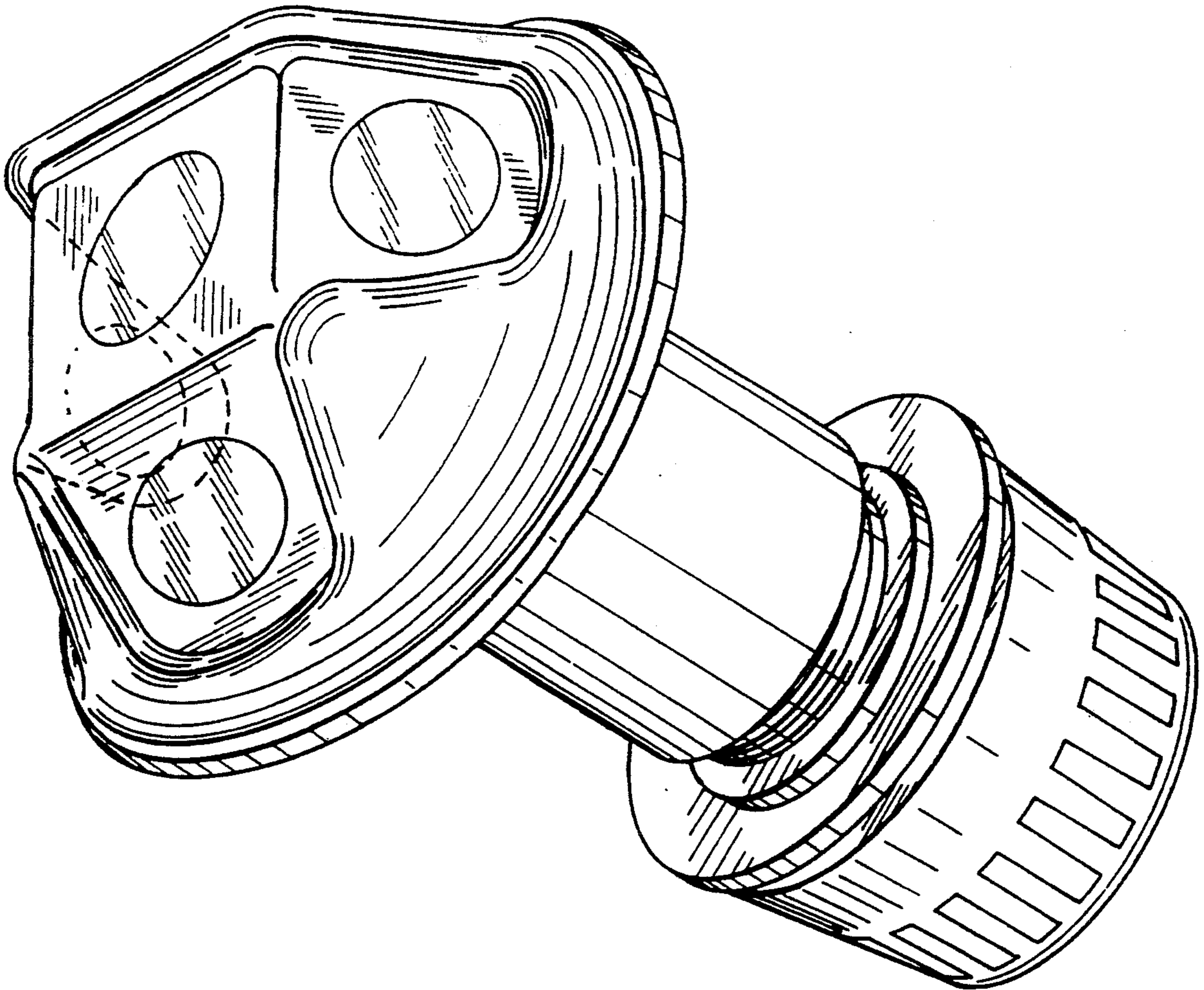


FIG. 1

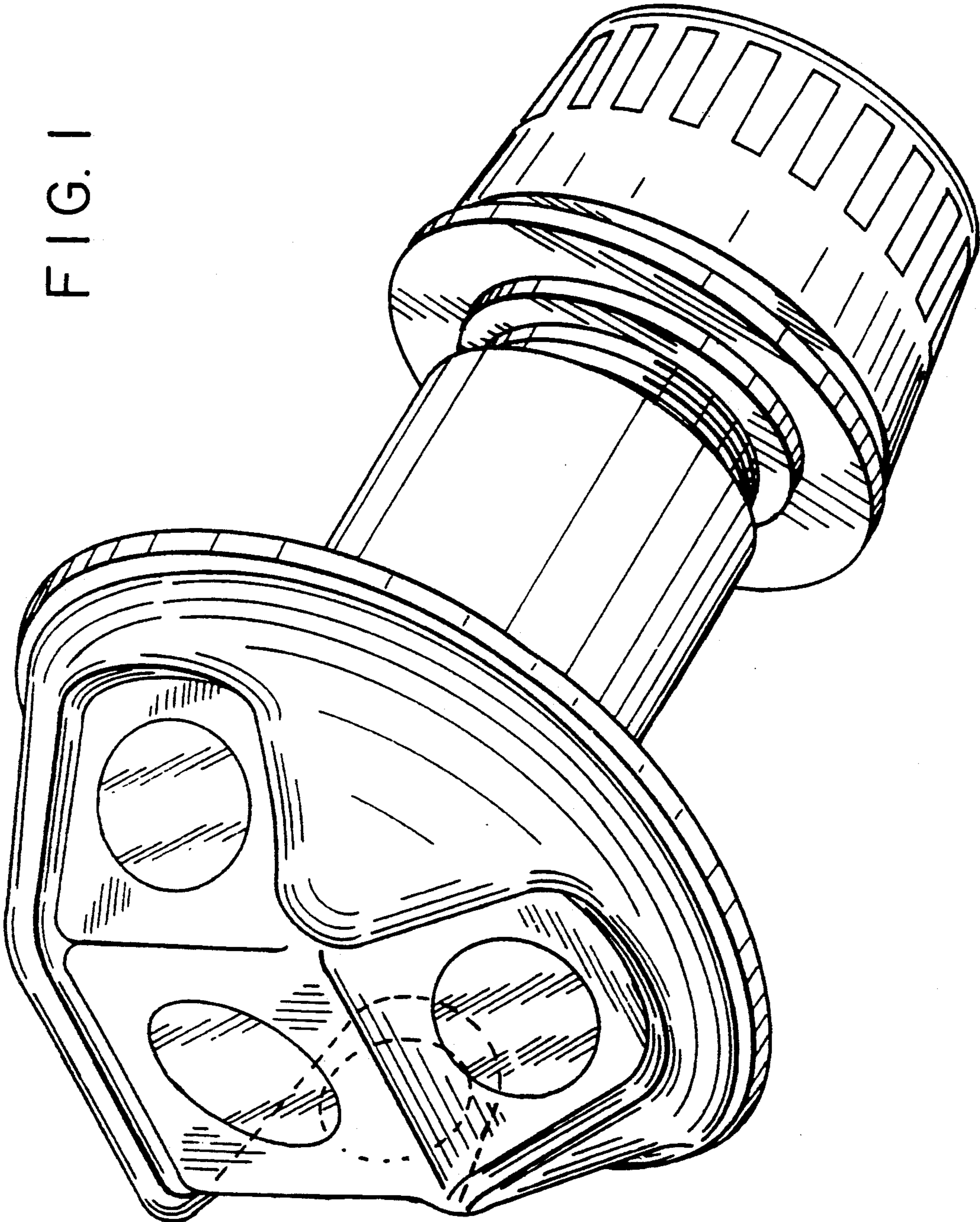


FIG. 2

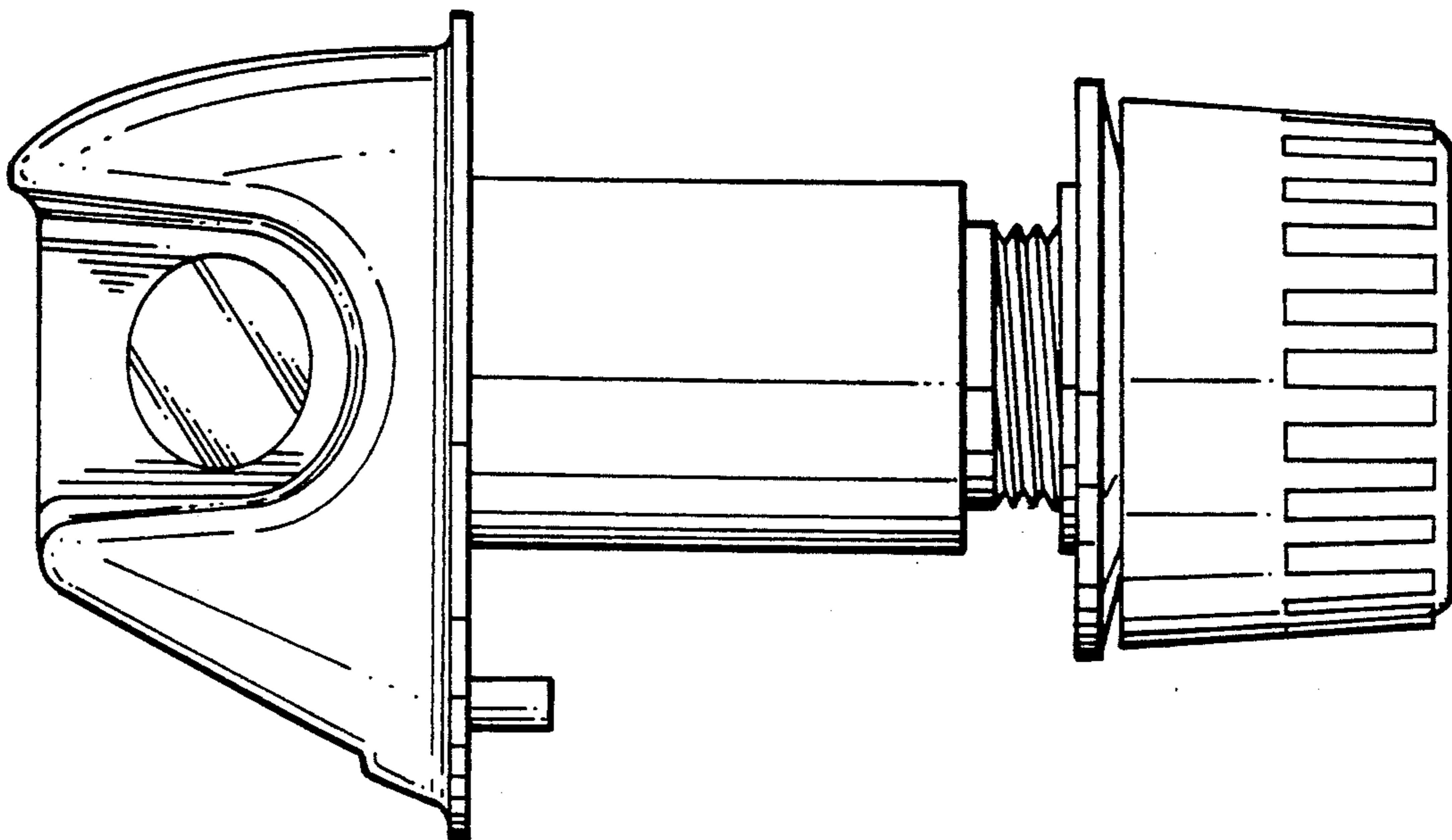


FIG. 3

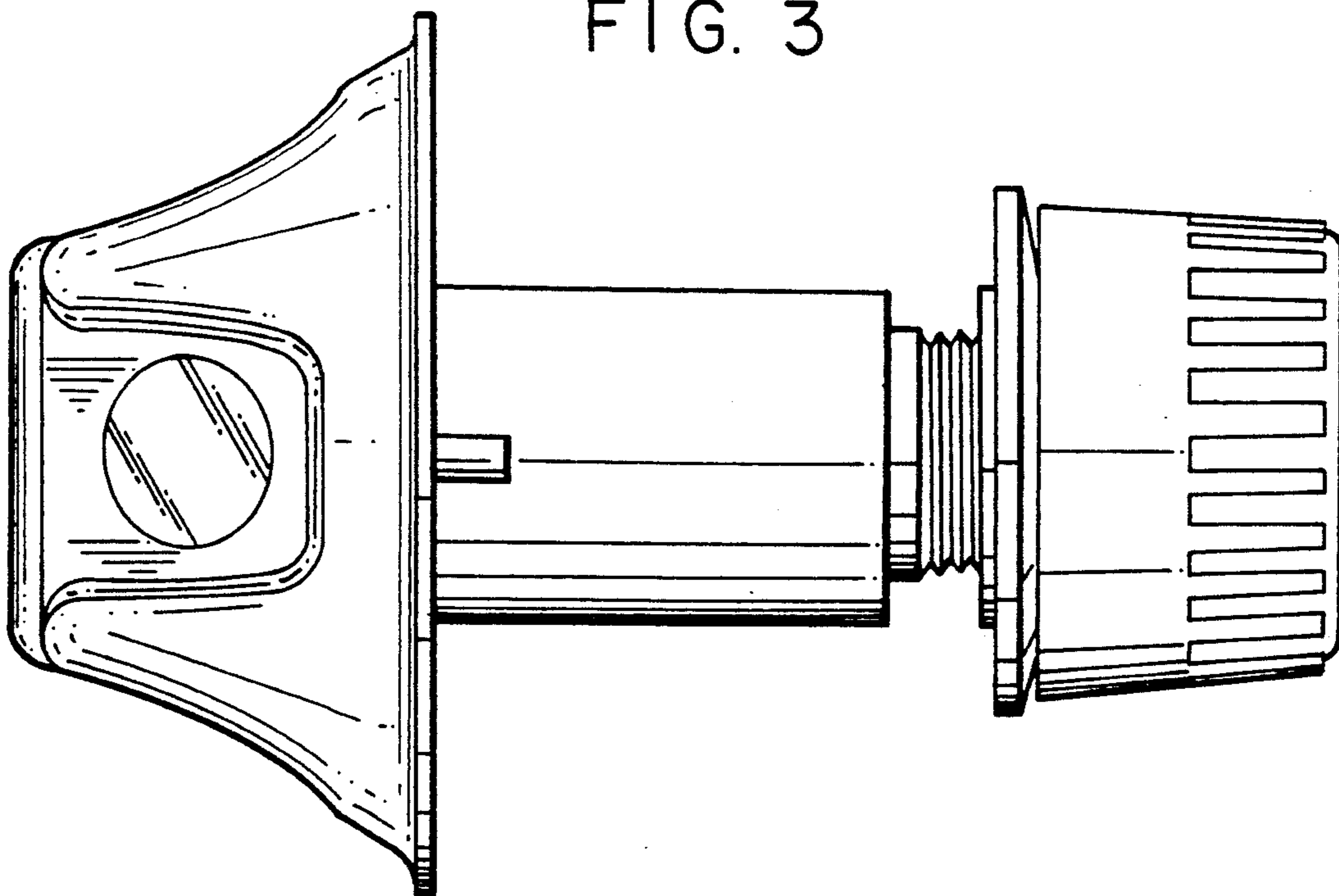


FIG. 4

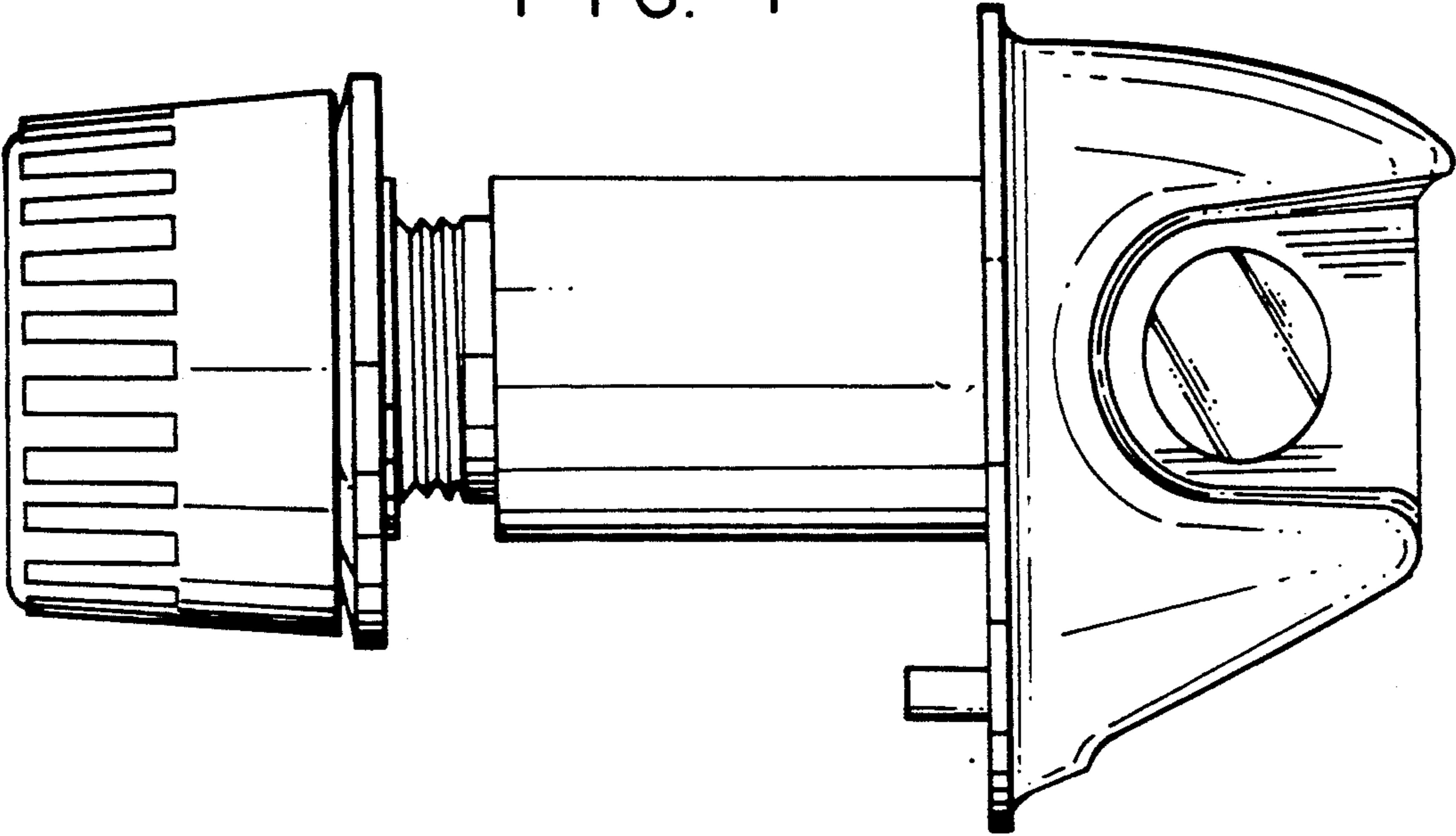


FIG. 5

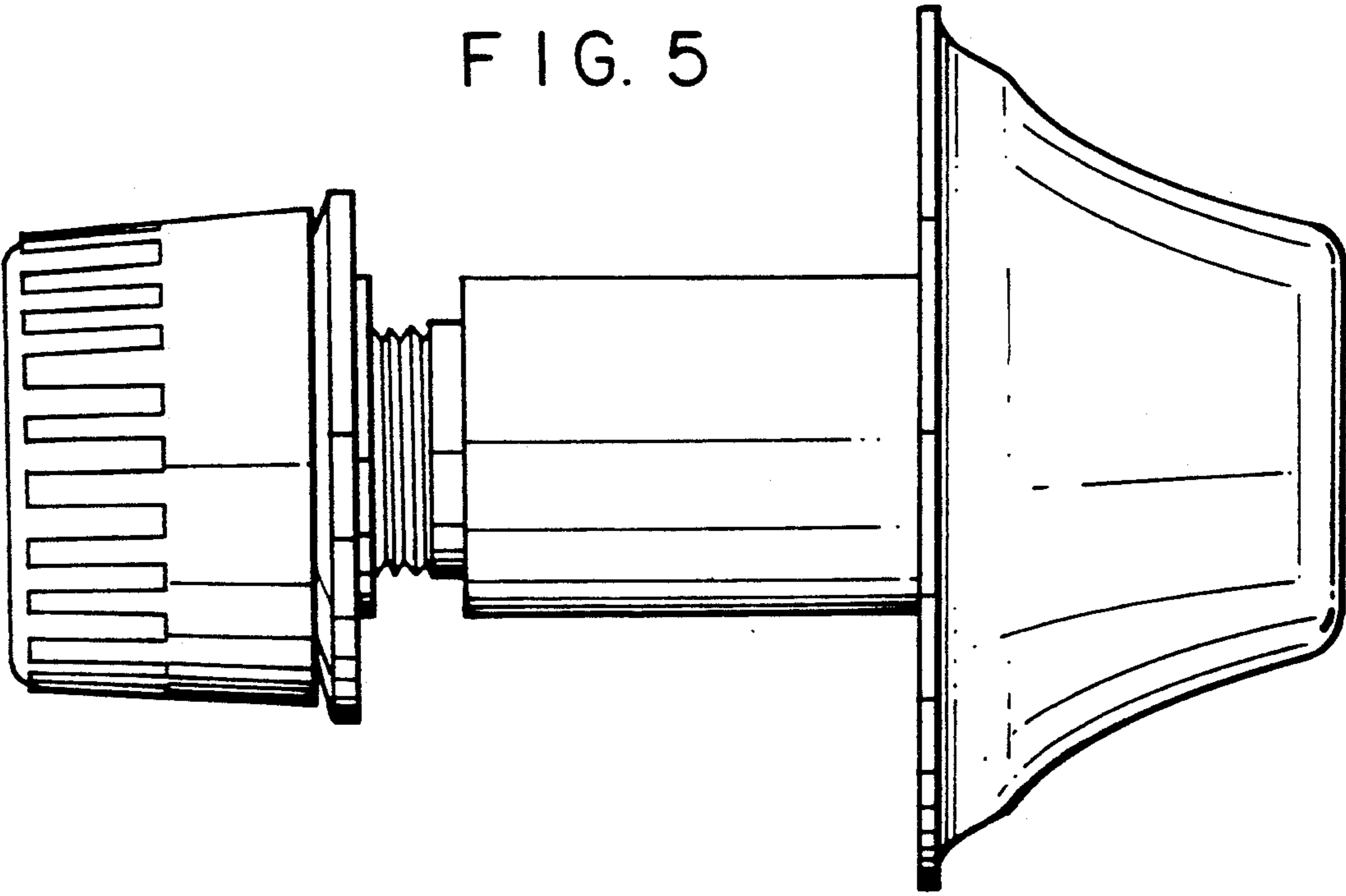


FIG. 6

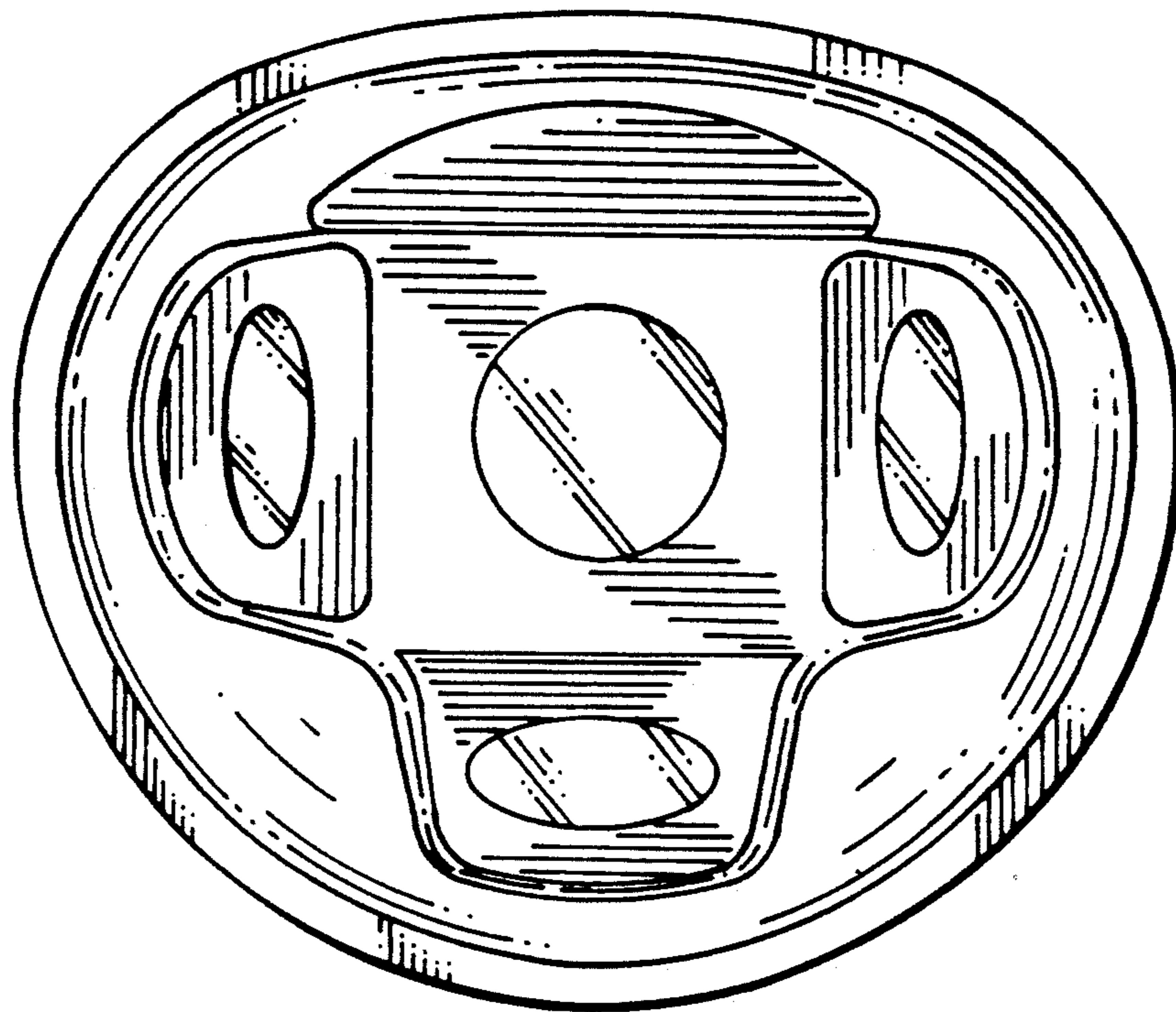


FIG. 7

