



US00D330210S

# United States Patent [19]

[11] Patent Number: **Des. 330,210**

Sirois et al.

[45] Date of Patent: **\*\* Oct. 13, 1992**

[54] **LAWN MOWER**

[75] Inventors: **Michael G. Sirois**, Ottawa; **Kristoffer A. Hess**, Brockville; **Ronald G. Hare**, Brockville; **Ronald A. Jackson**, Brockville, all of Canada; **Martin P. Gierke**, Baltimore, Md.

[73] Assignee: **Black & Decker, Inc.**, Newark, Del.

[\*\*] Term: **14 Years**

[21] Appl. No.: **533,056**

[22] Filed: **Jun. 1, 1990**

[52] U.S. Cl. .... **D15/14**

[58] Field of Search ..... **D15/14-17;**  
**56/13.4, 16.7, 17.5, 202, 255, 294, 295, 320.1,**  
**320.2**

[56] **References Cited**

**U.S. PATENT DOCUMENTS**

D. 309,310 7/1990 Fushiya et al. .... **D15/14**  
4,051,648 10/1977 Uhlinger et al. .... **56/17.5**  
4,194,345 3/1980 Pioch et al. .... **56/175**

**OTHER PUBLICATIONS**

Popular Mechanics, 3/1977, p. 118, AMF mower, bottom.

*Primary Examiner*—Bernard Ansher

*Assistant Examiner*—Sandra Morris

*Attorney, Agent, or Firm*—Dennis A. Dearing; Charles E. Yocum; Edward D. C. Bartlett

[57] **CLAIM**

The ornamental design for a lawn mower, as shown and described.

**DESCRIPTION**

FIG. 1 is a right front perspective view of a lawn mower, showing our new design;

FIG. 2 is a left rear perspective view thereof;

FIG. 3 is an enlarged, partial right side elevational view thereof, with portions of the handle and release cable omitted for clarity, shown in the lowered position;

FIG. 4 is an enlarged, partial left side elevational view thereof, shown in the lowered position;

FIG. 5 is an enlarged, partial right side elevational view thereof, shown in the raised position;

FIG. 6 is an enlarged, partial left side elevational view thereof, shown in the raised position;

FIG. 7 is an enlarged, partial front elevational view thereof;

FIG. 8 is an enlarged, partial rear elevational view thereof;

FIG. 9 is an enlarged, partial top plan view thereof;

FIG. 10 is an enlarged, partial bottom plan view thereof, the broken line showing of the blade is for illustrative purposes only, and forms no part of the claimed design;

FIG. 11 is a right, front perspective view of a second embodiment of the design is FIG. 1;

FIG. 12 is a left rear perspective view of FIG. 11;

FIG. 13 is an enlarged, partial right side elevational view of FIG. 11, with portions of the handle and power cable omitted for clarity;

FIG. 14 is an enlarged, partial left side elevational view of FIG. 11;

FIG. 15 is an enlarged, partial front elevational view of FIG. 11;

FIG. 16 is an enlarged, partial rear elevational view of FIG. 11;

FIG. 17 is an enlarged top elevational view of FIG. 11;

FIG. 18 is a front perspective view of a third embodiment of the design in FIG. 1;

FIG. 19 is a left, rear perspective view of FIG. 18;

FIG. 20 is an enlarged, partial right side elevational view of FIG. 18, with the handle omitted for clarity;

FIG. 21 is an enlarged, partial left side elevational view of FIG. 18;

FIG. 22 is an enlarged, partial front elevational view of FIG. 18;

FIG. 23 is an enlarged, partial rear elevational view of FIG. 18;

FIG. 24 is an enlarged, partial top plan view of FIG. 18;

FIG. 25 is an enlarged, partial bottom plan view of FIG. 11, the broken line showing of the blade is for illustrative purposes only, and forms no part of the claimed design; and,

FIG. 26 is an enlarged, partial bottom plan view of FIG. 18, the broken line showing of the blade is for illustrative purposes only, and forms no part of the claimed design.

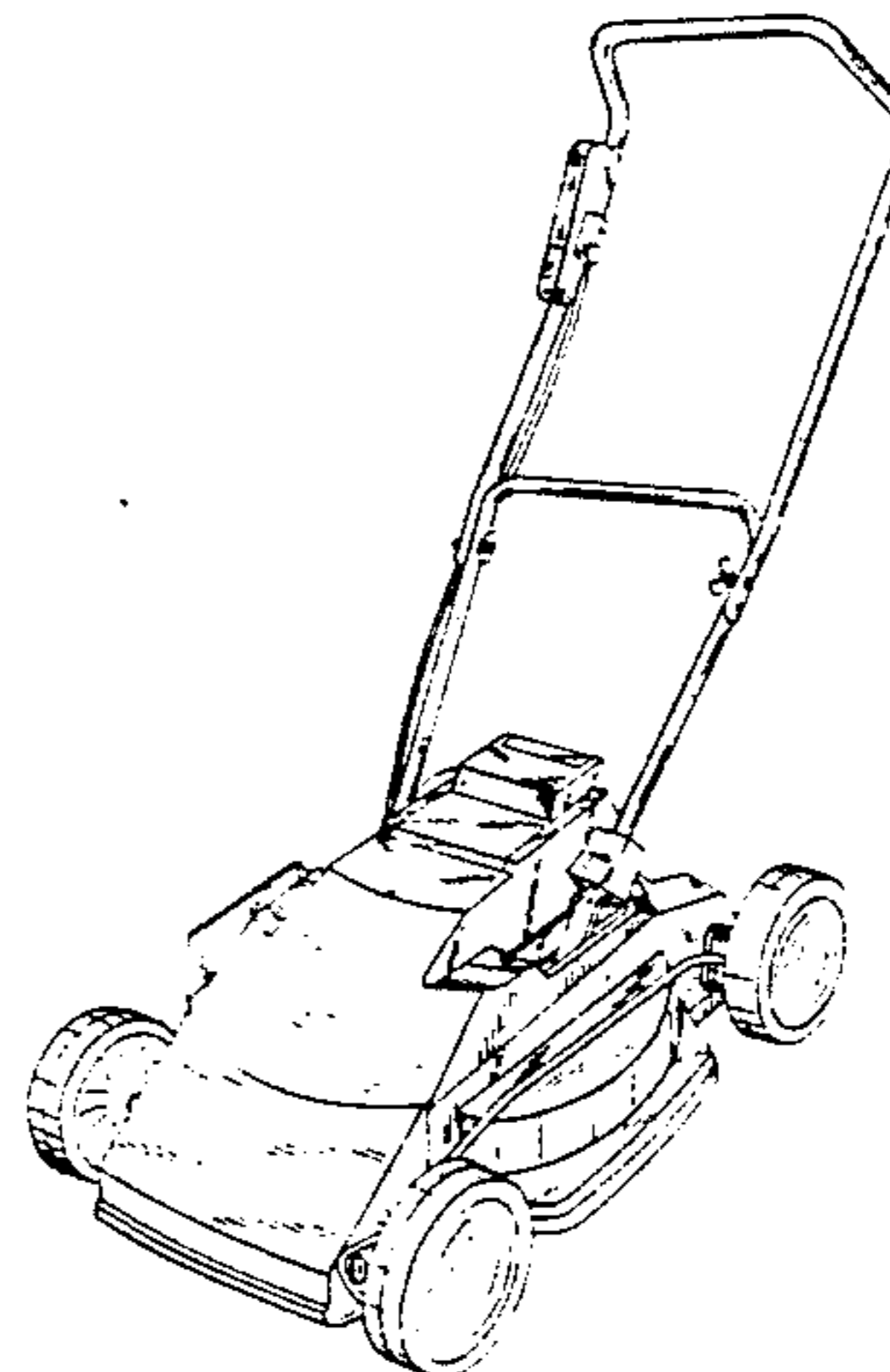
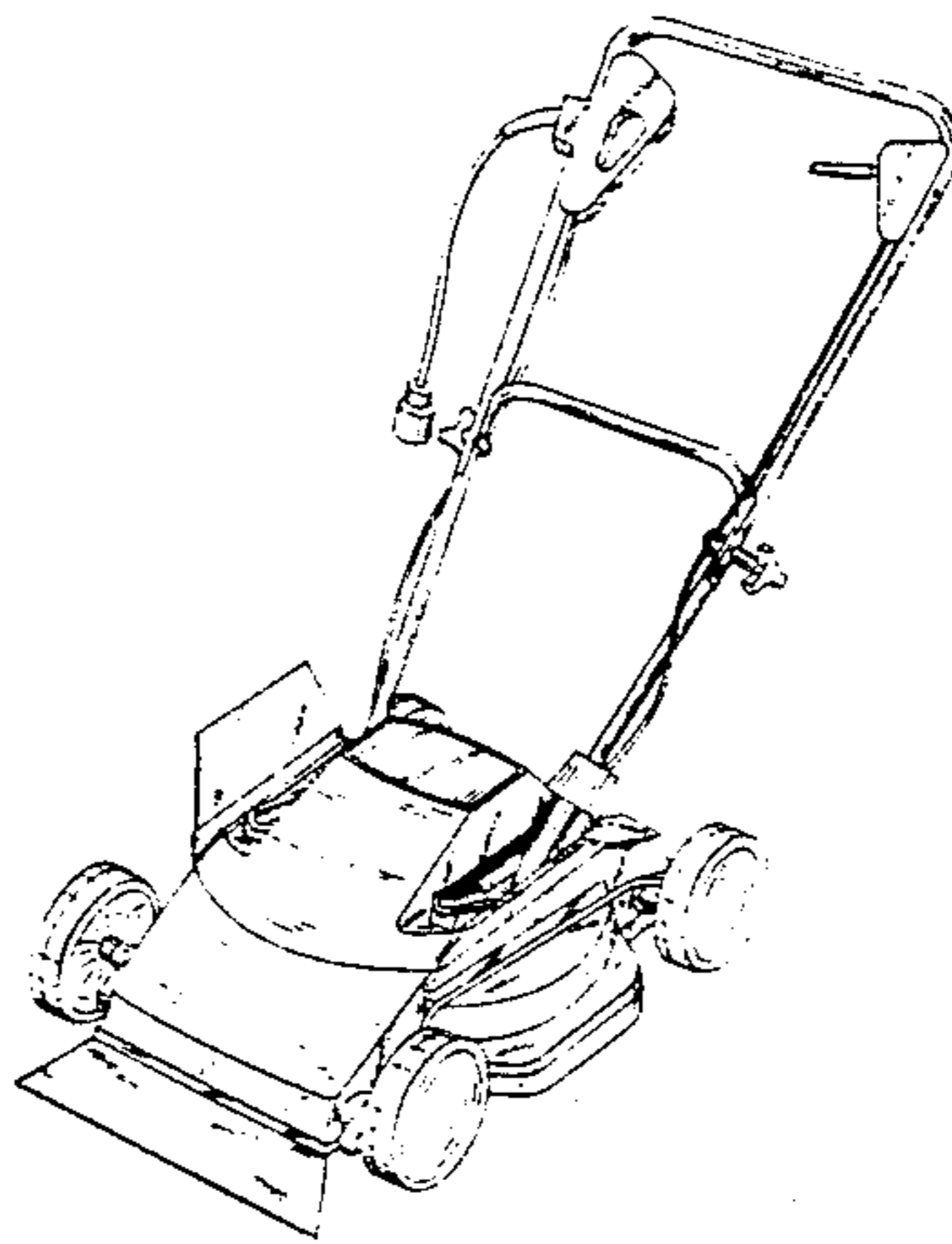


FIG. 1

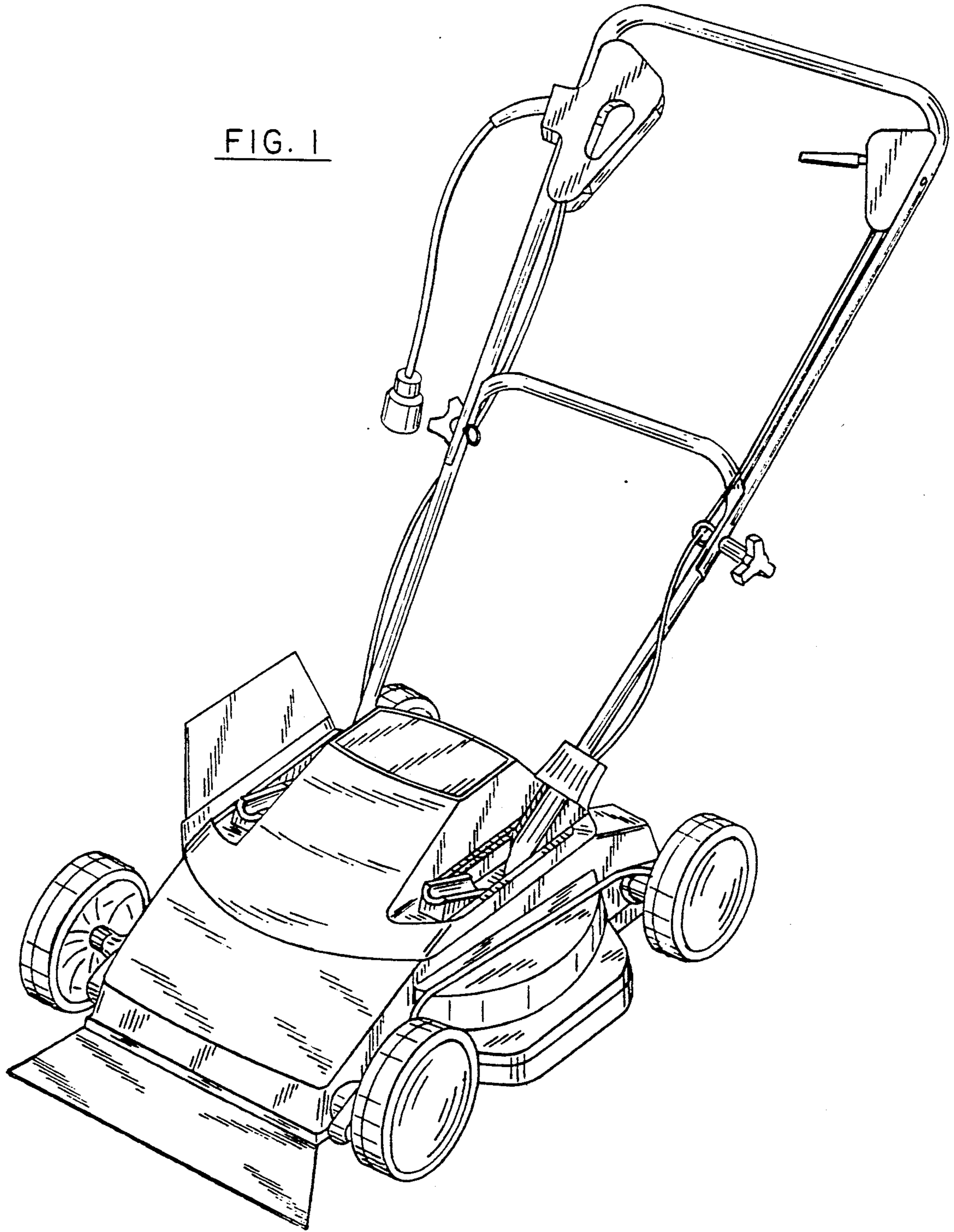


FIG. 2

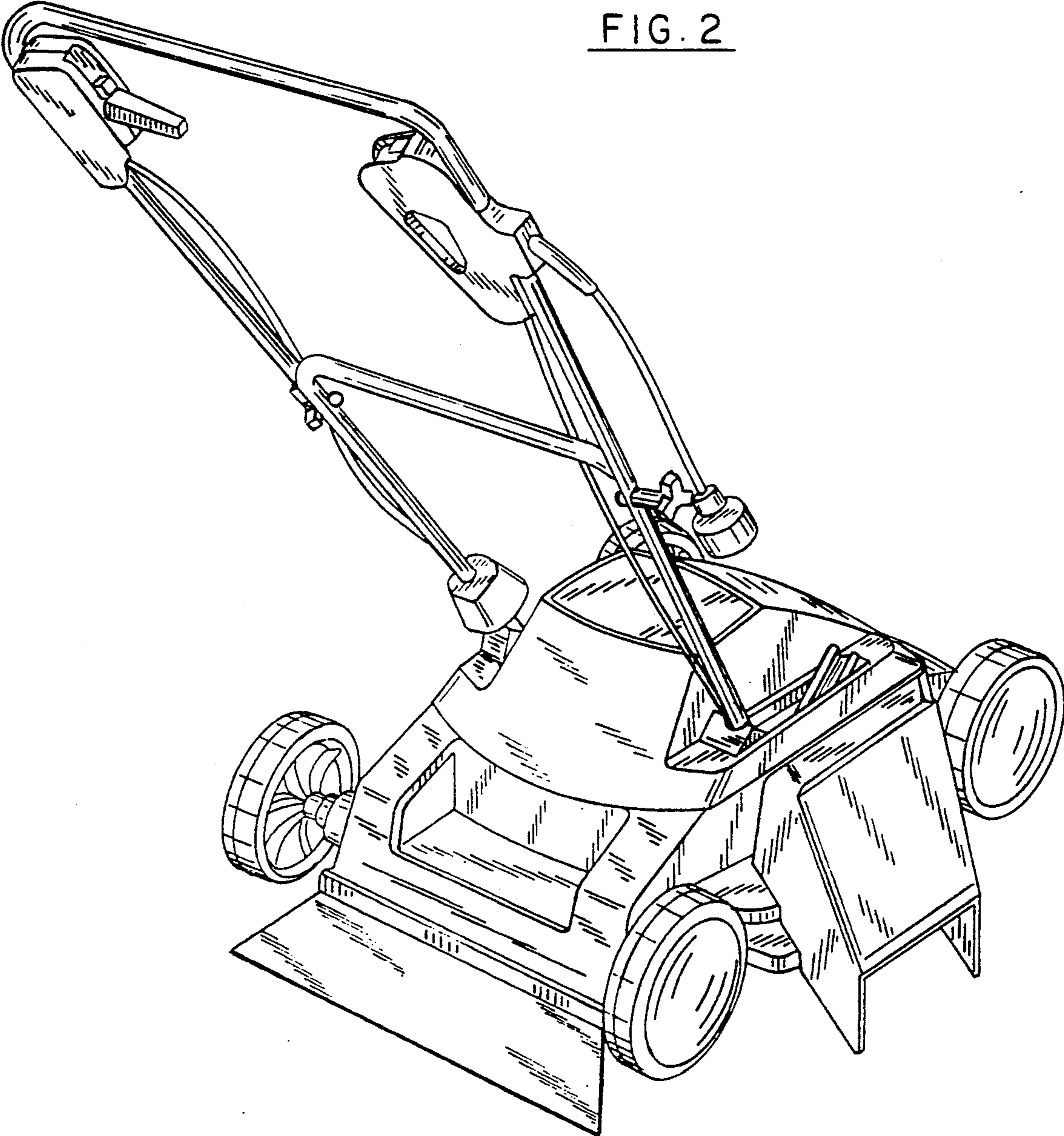


FIG. 3

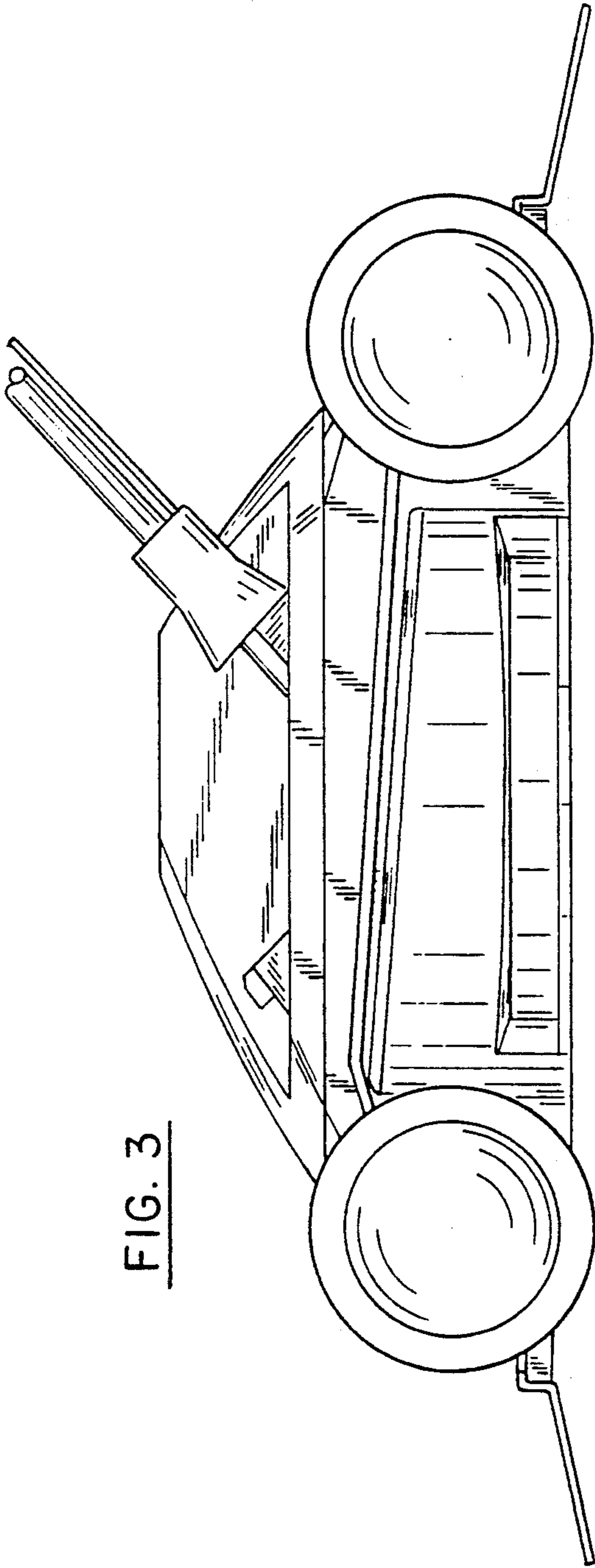
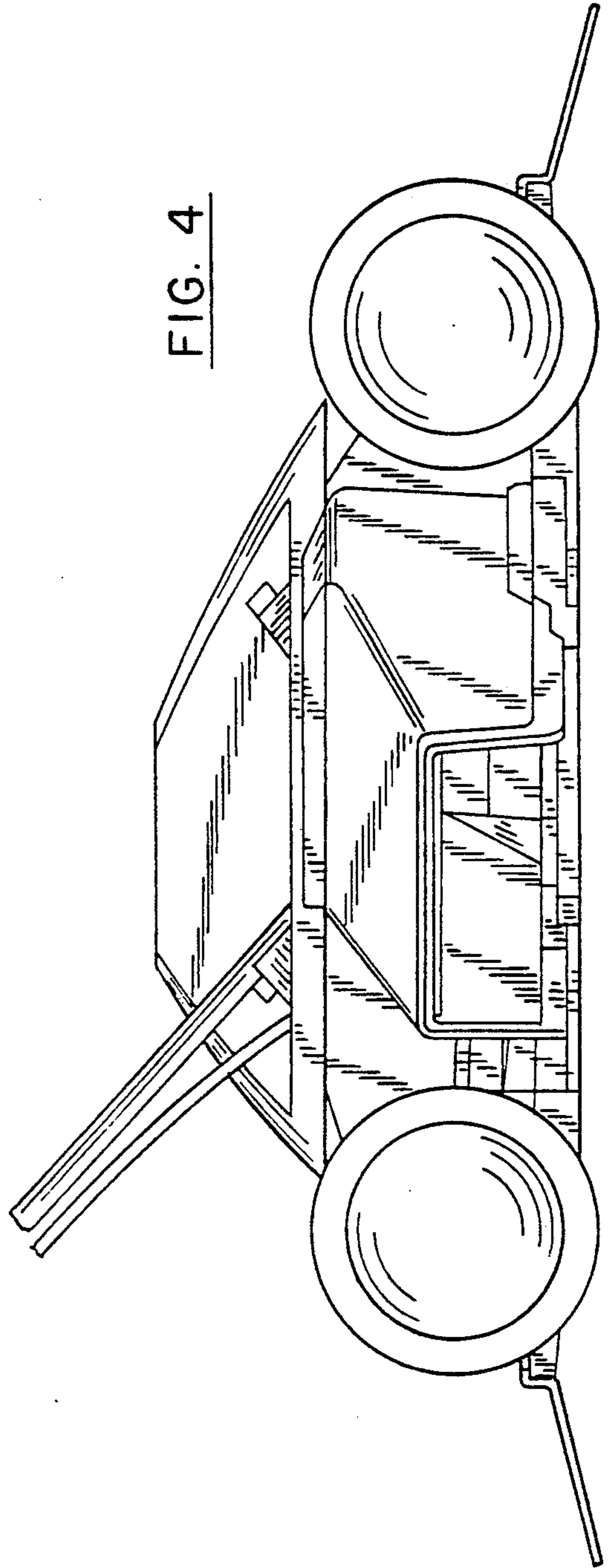


FIG. 4



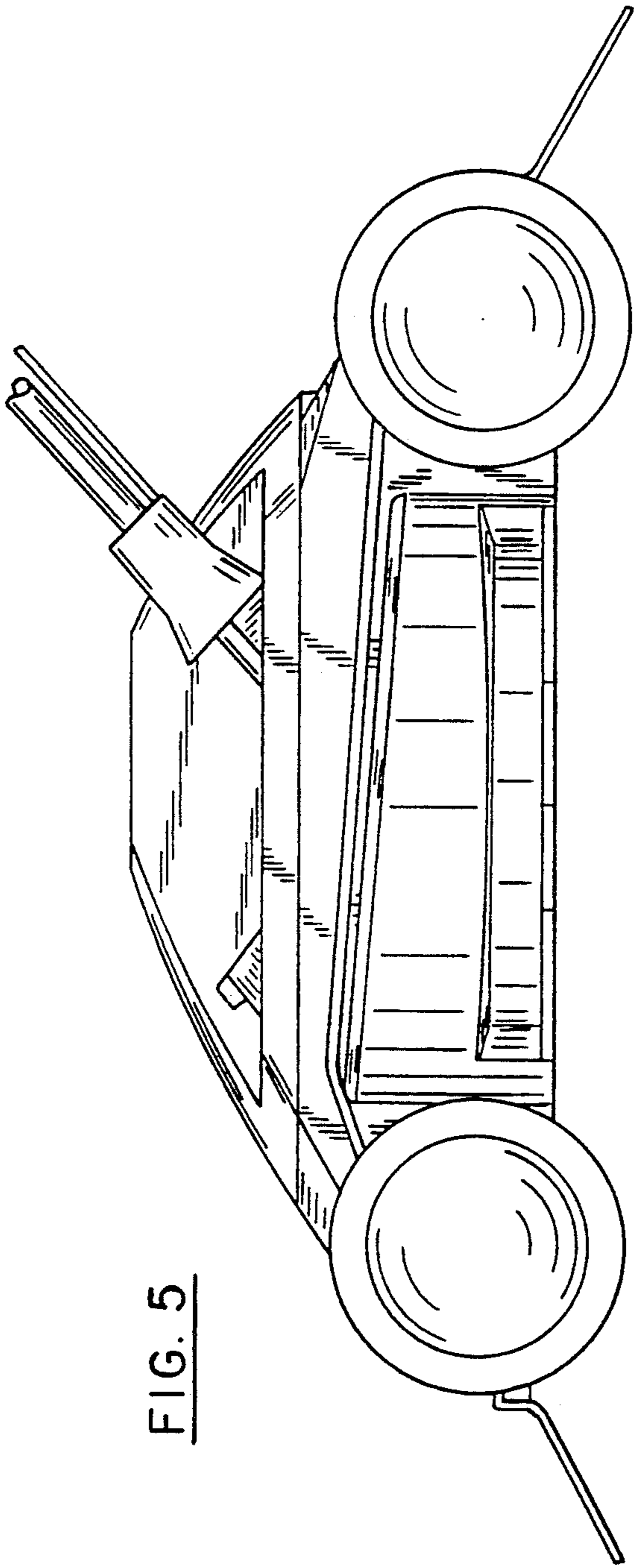


FIG. 5

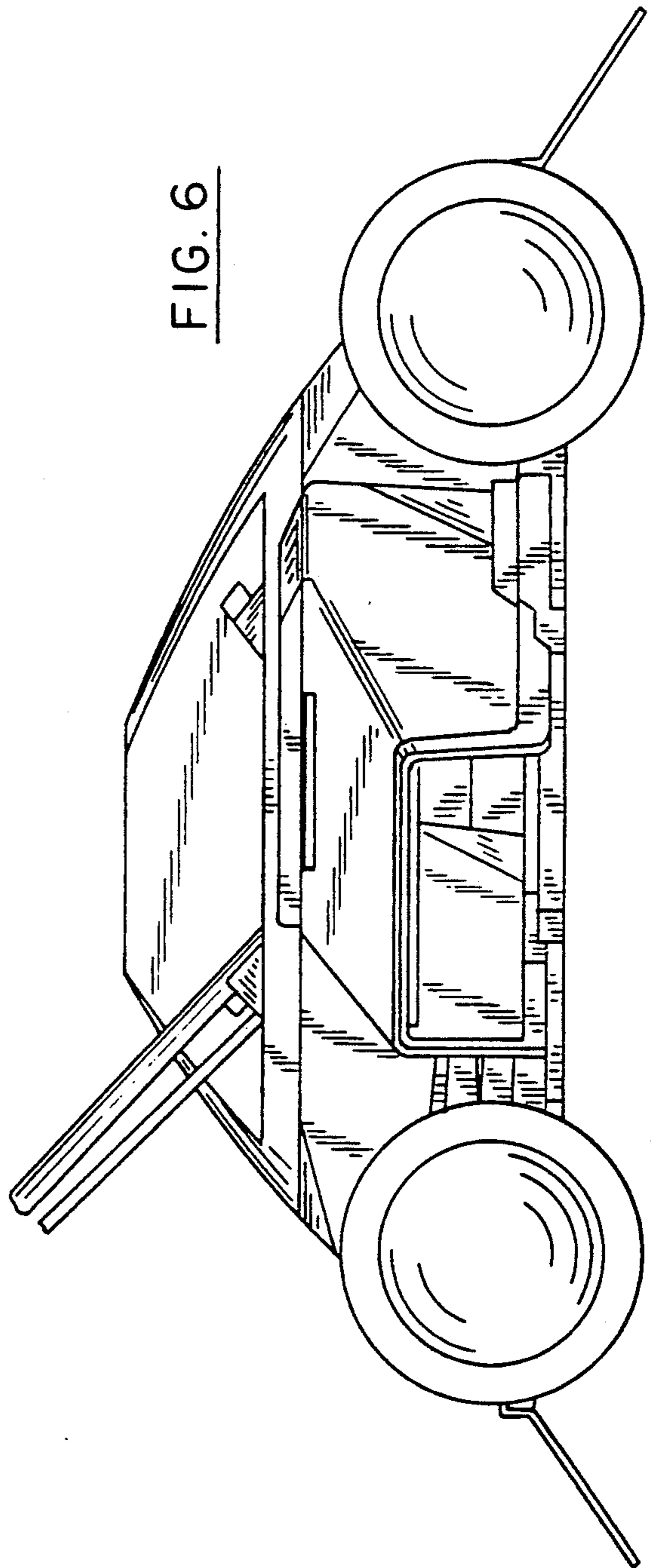


FIG. 6

FIG. 7

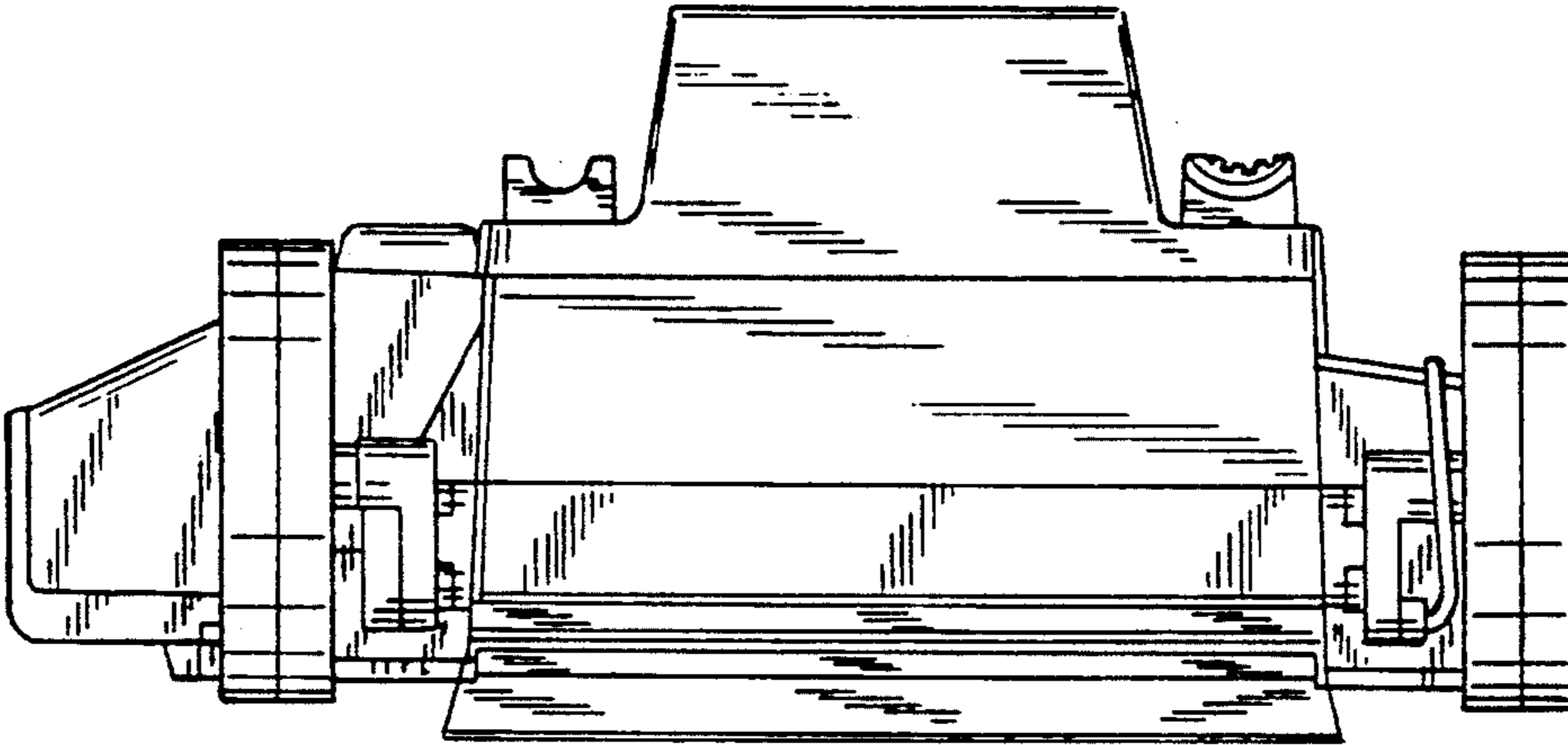


FIG. 8

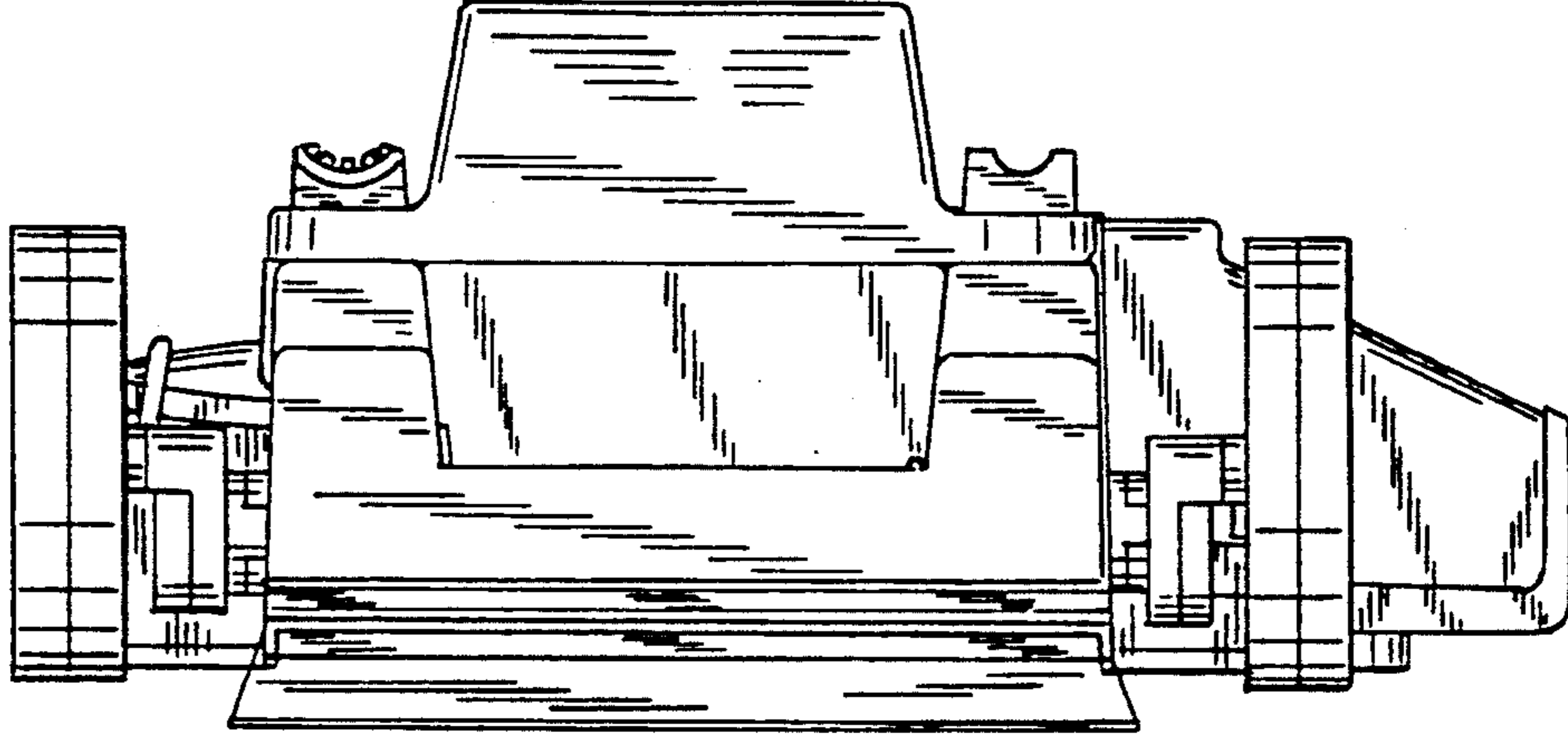


FIG. 9

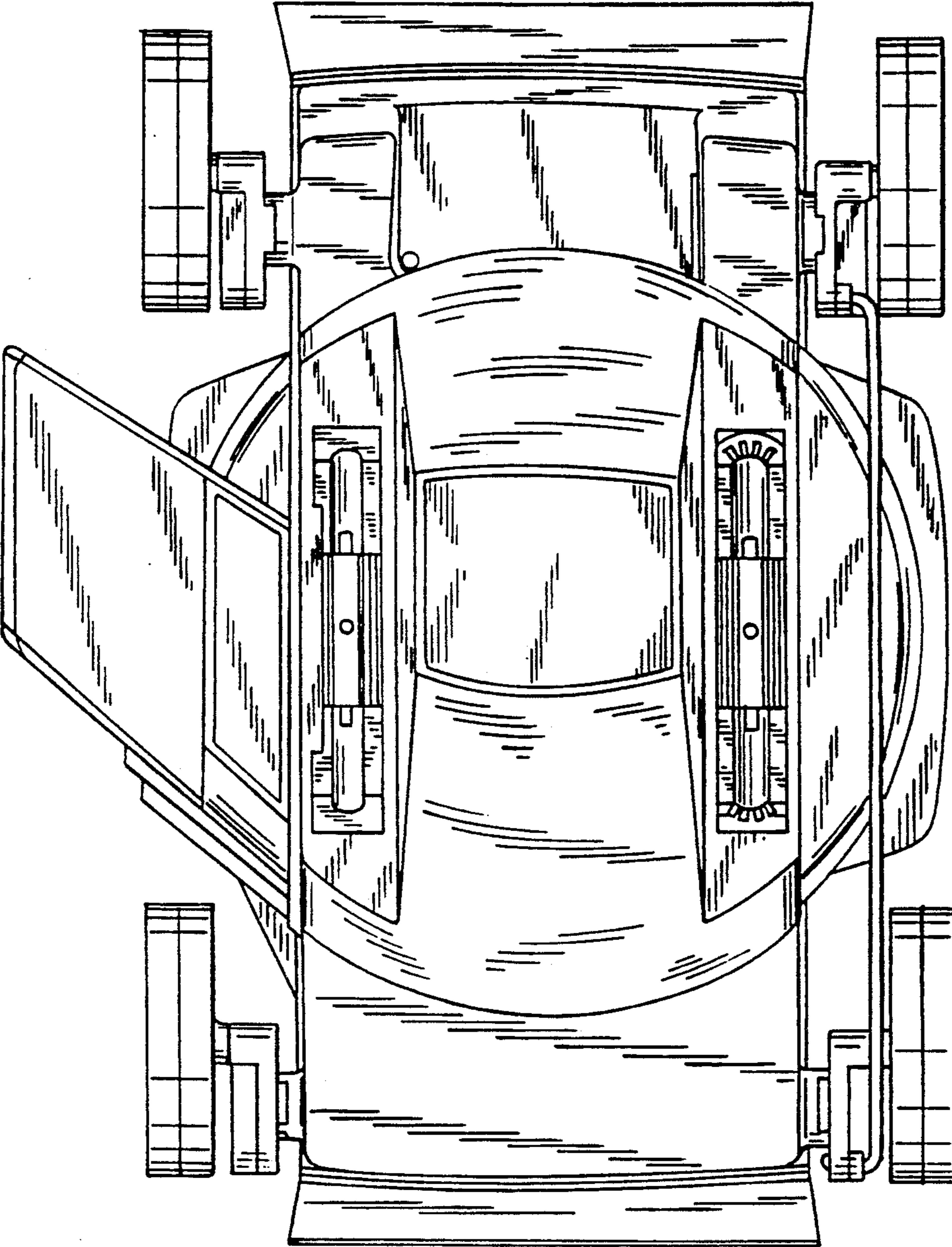


FIG. 10

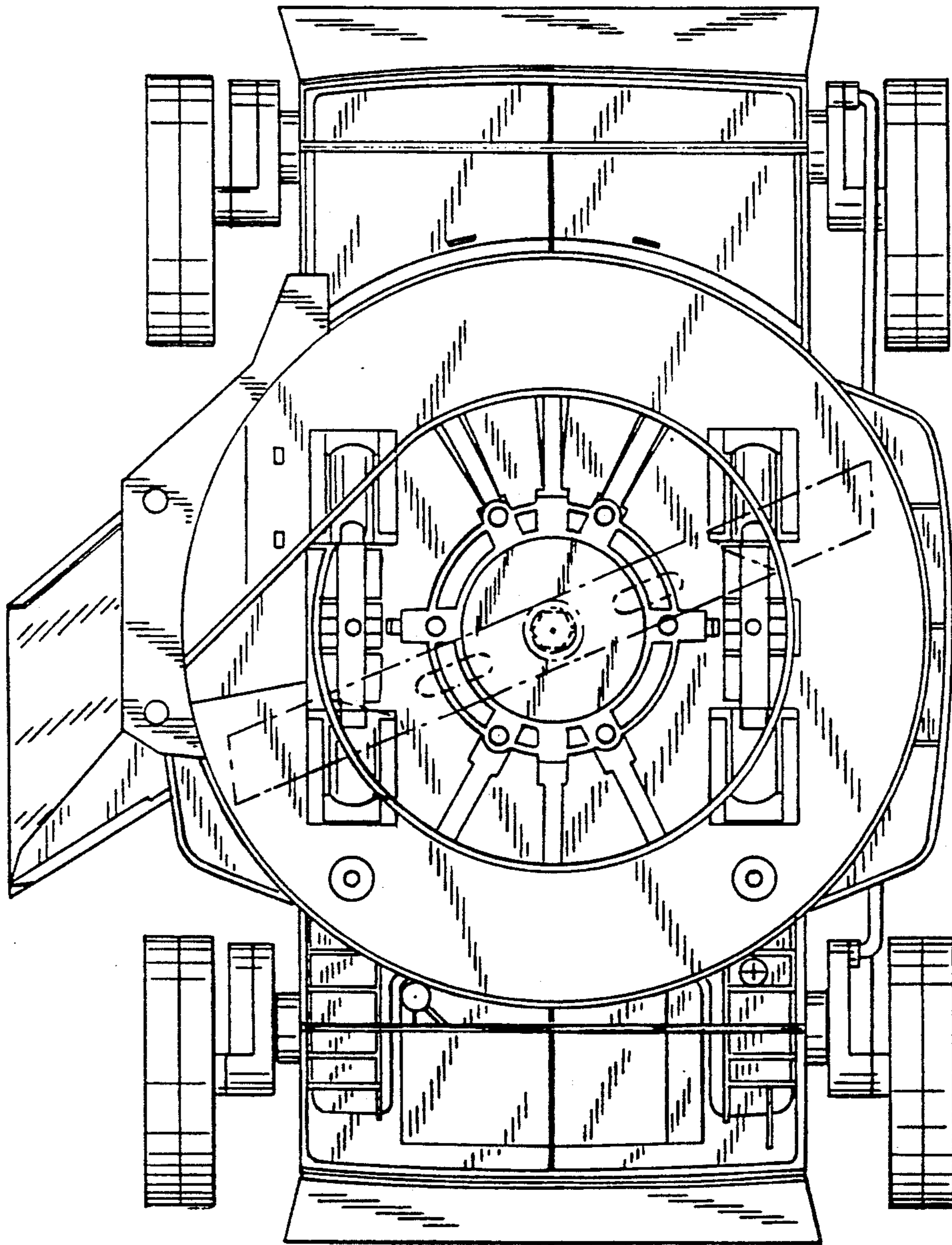
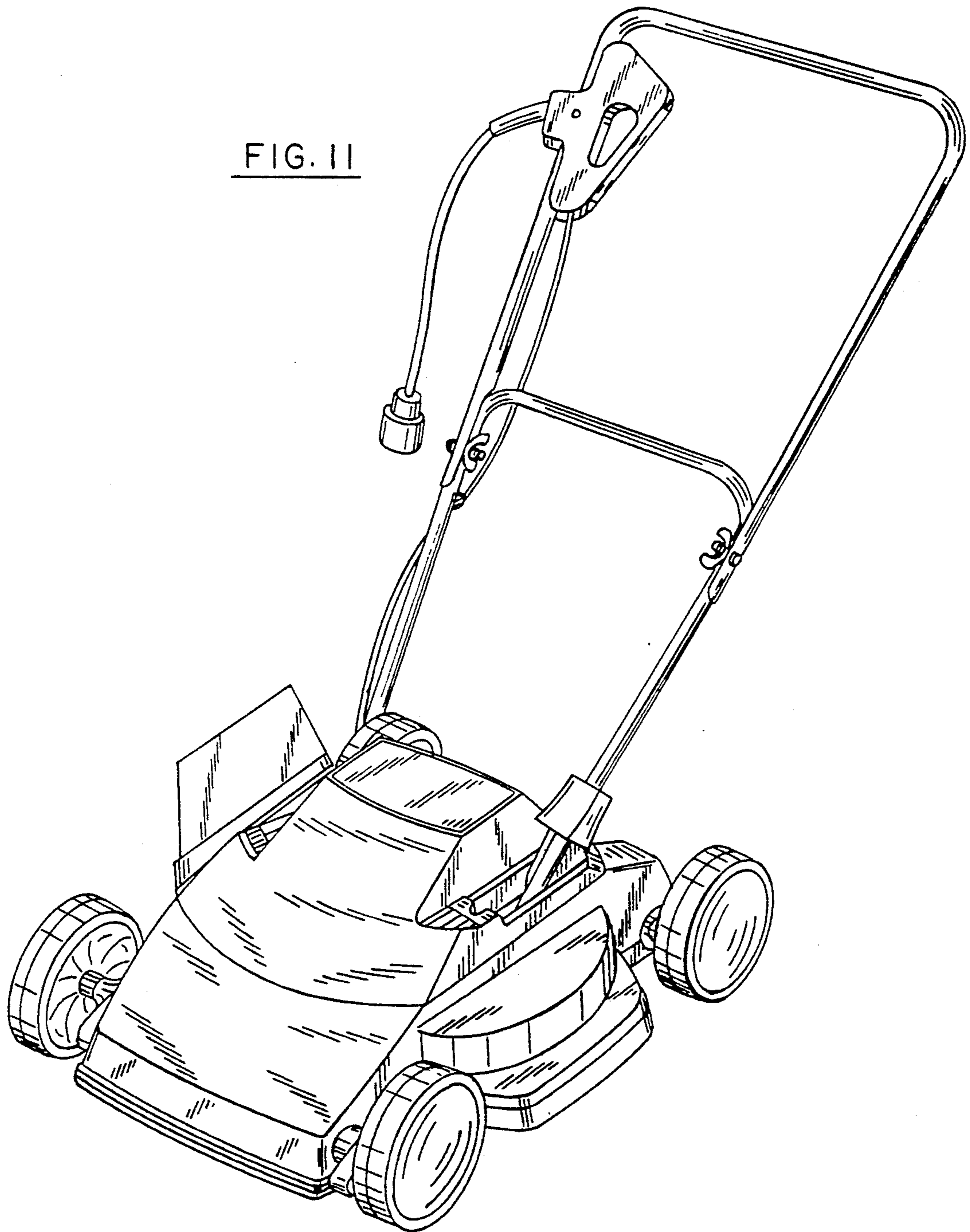




FIG. II



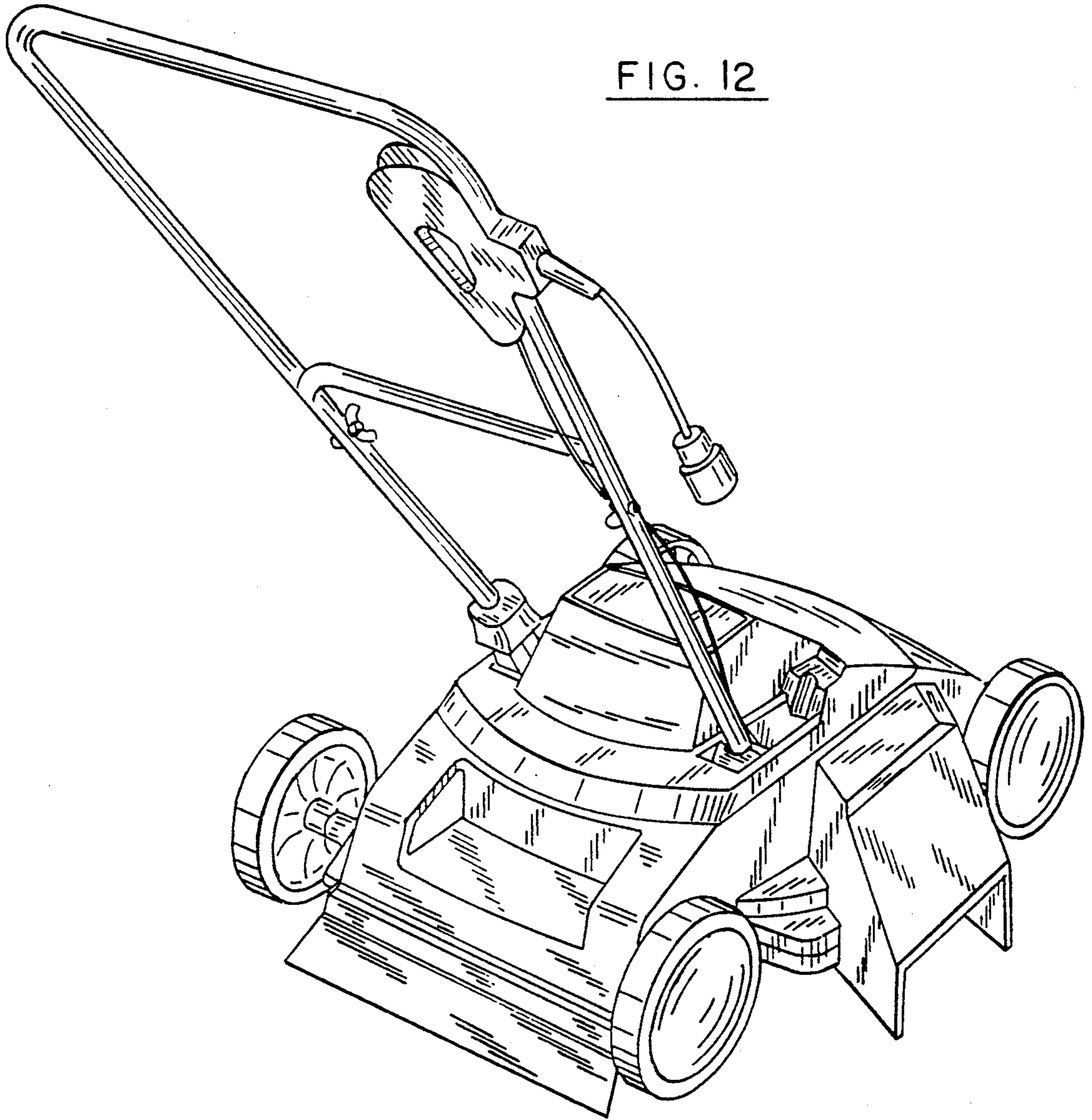


FIG. 13

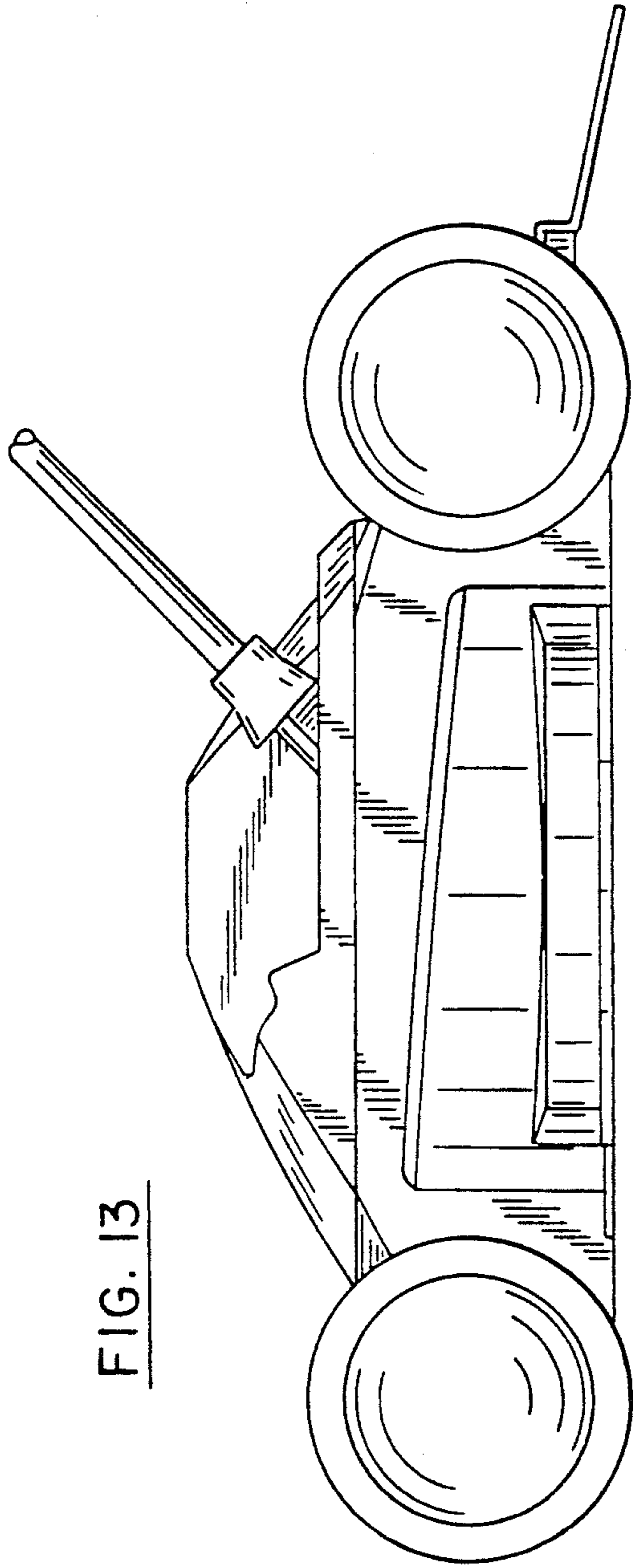


FIG. 14

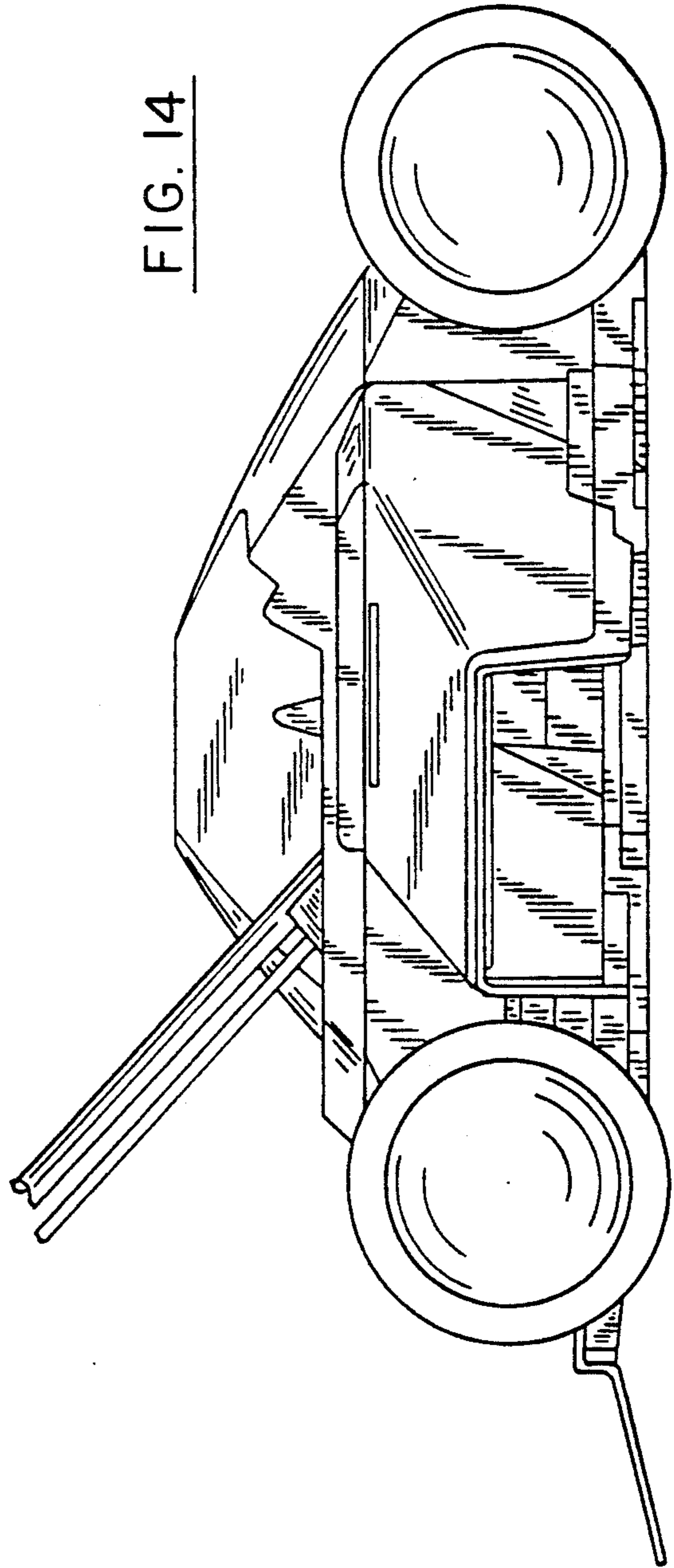


FIG. 15

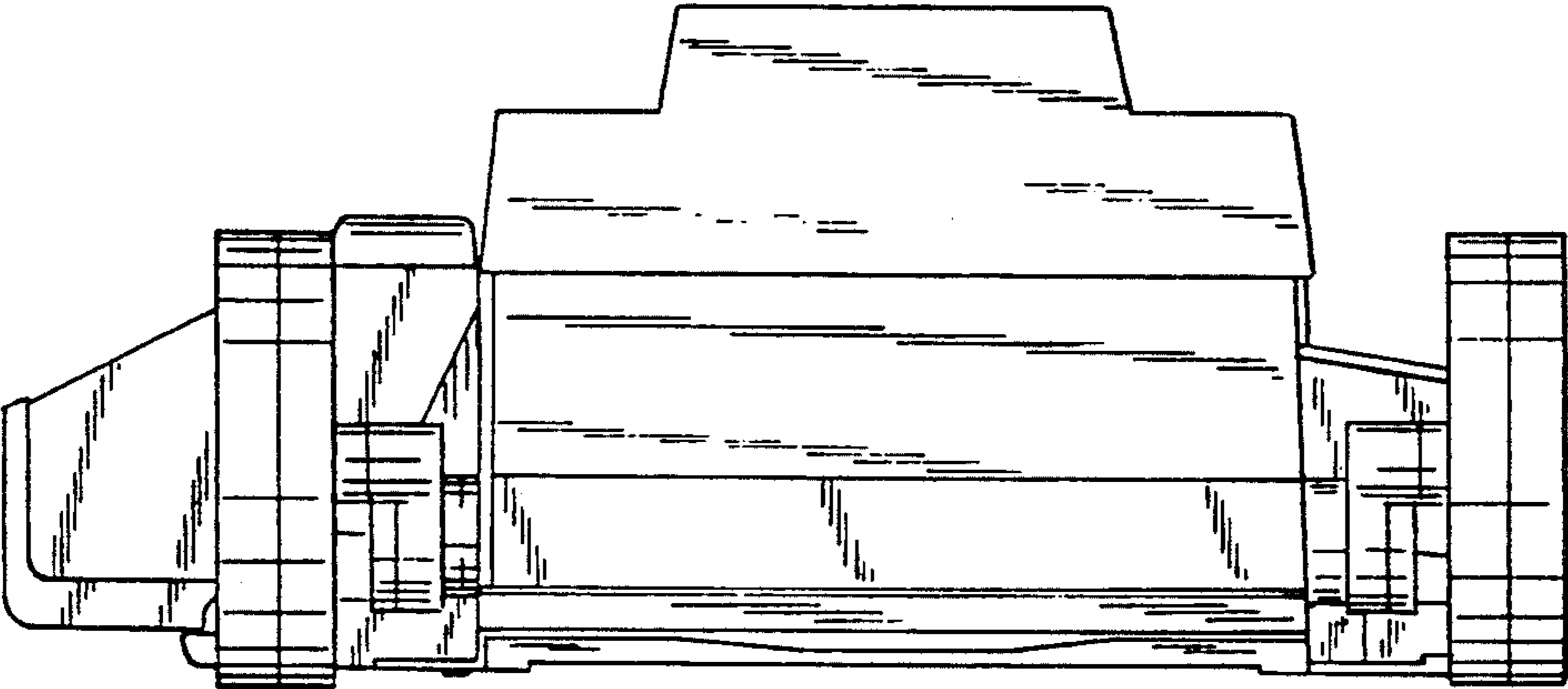
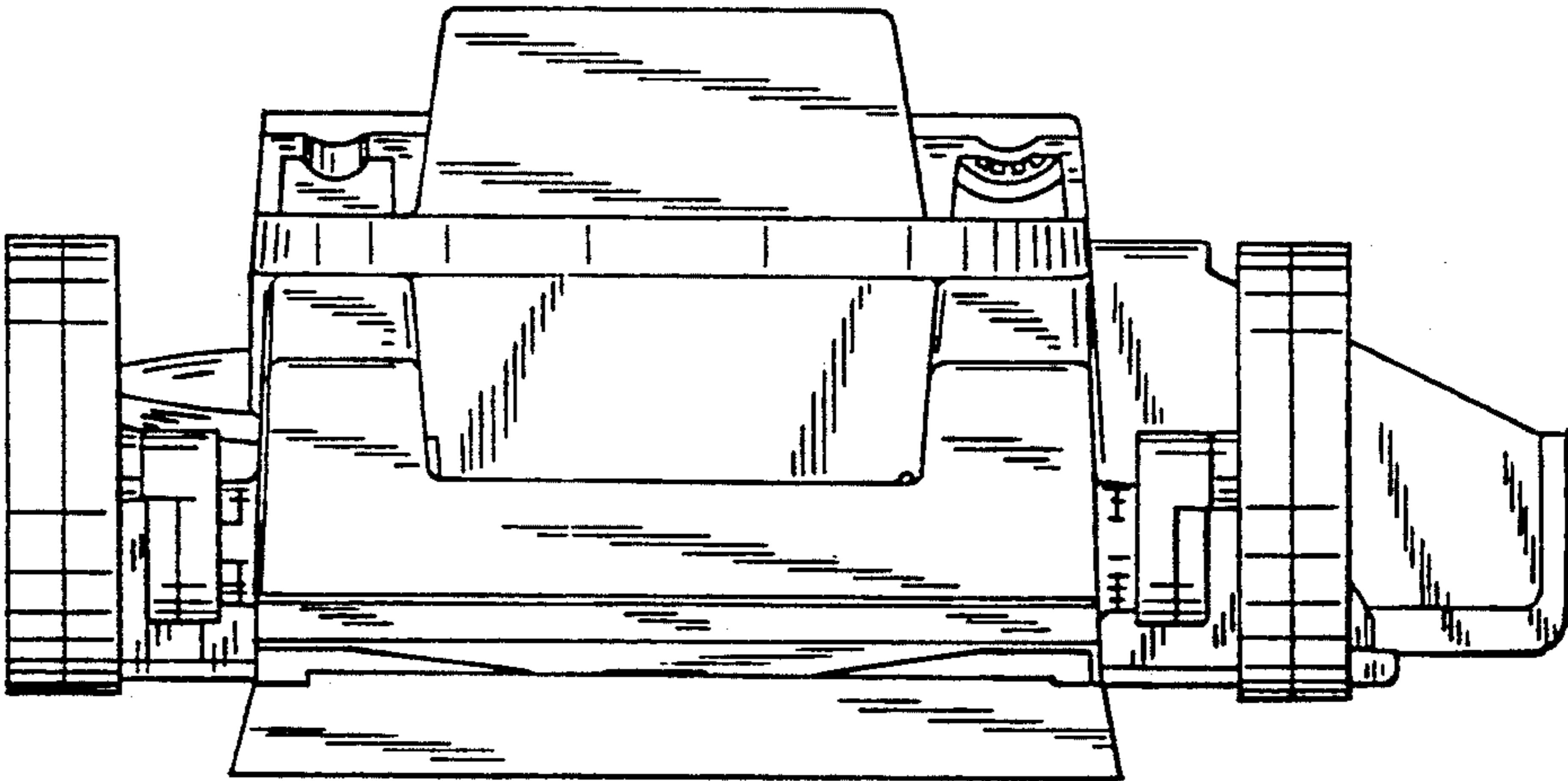


FIG. 16



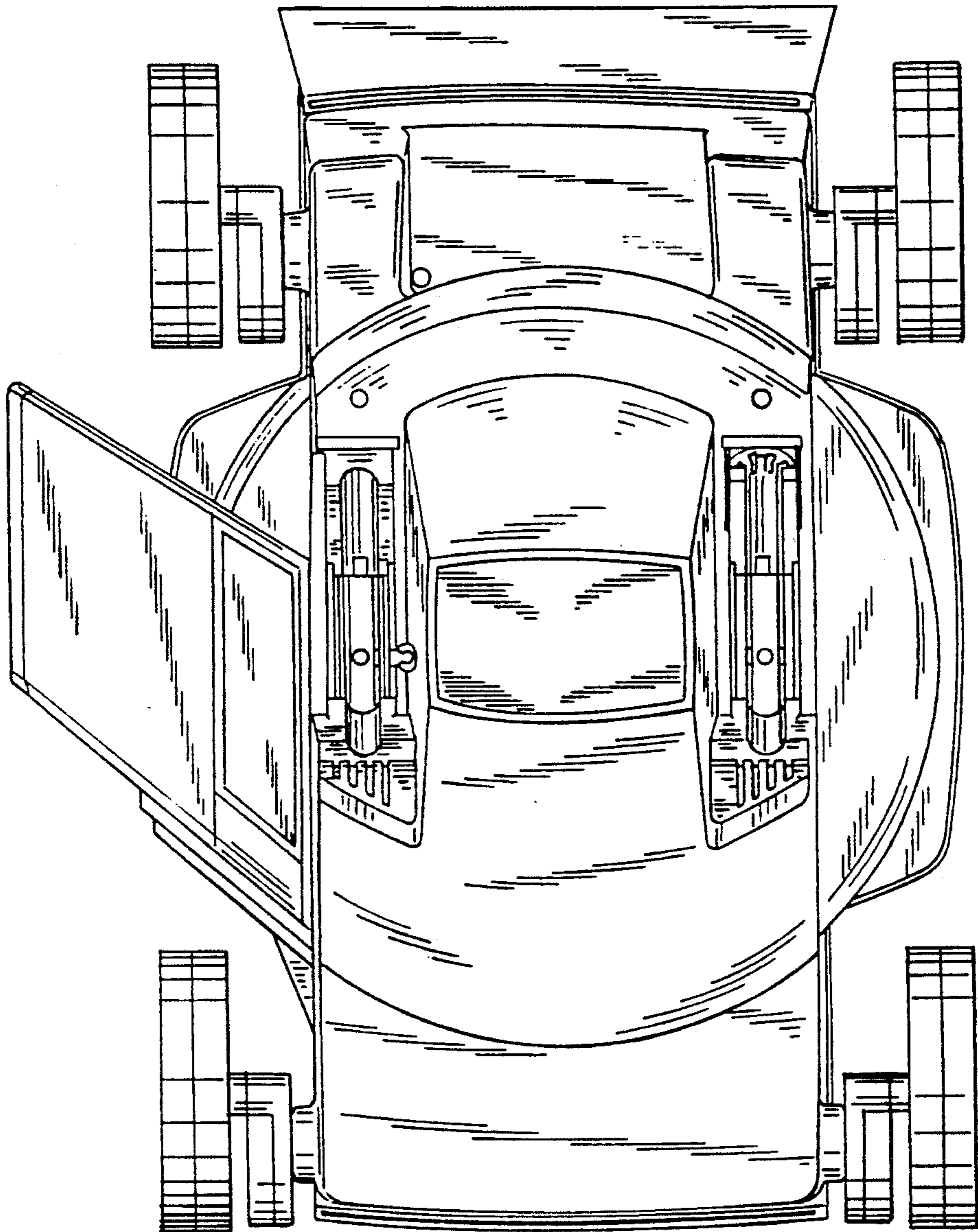
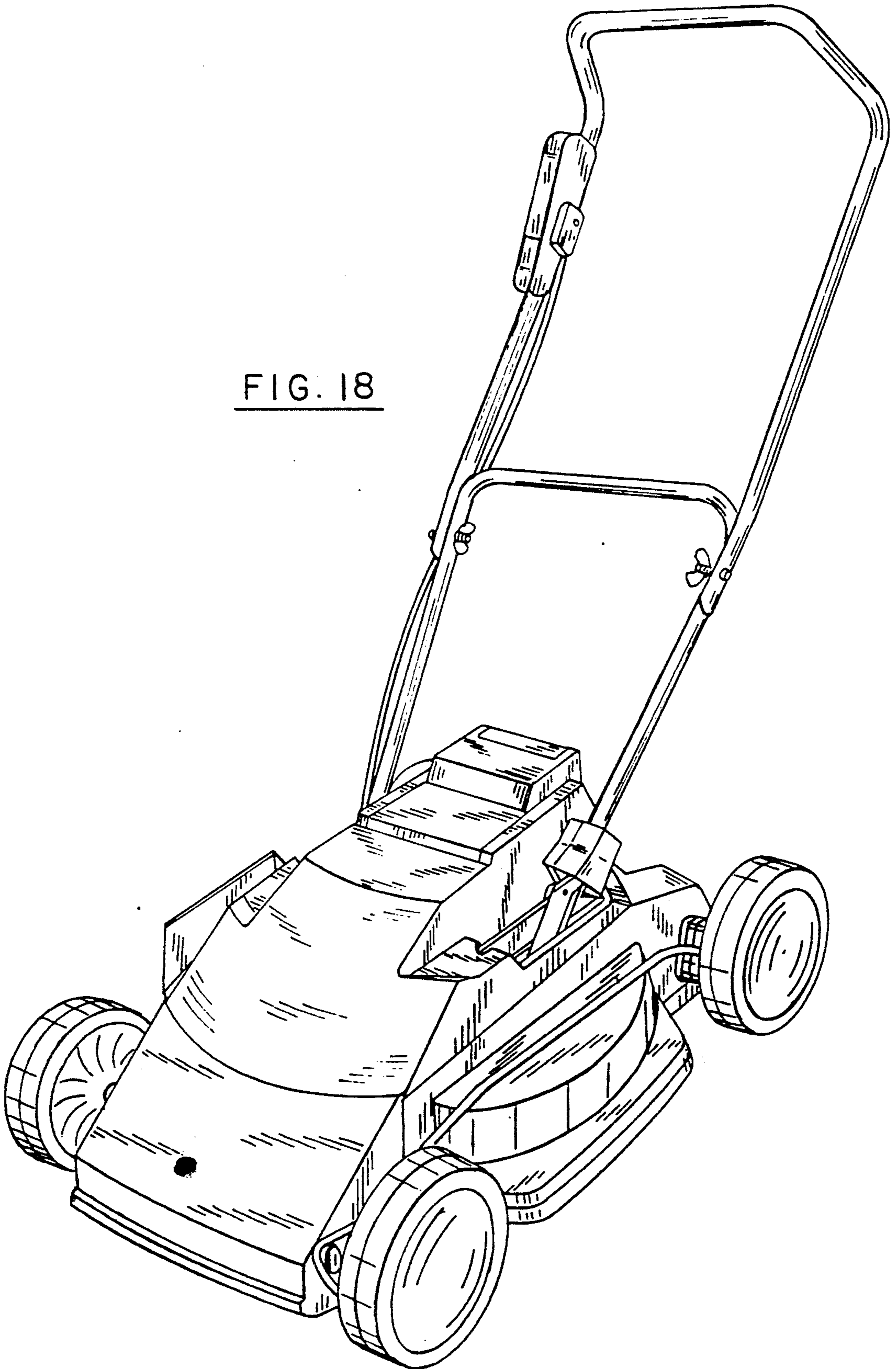


FIG. 17

FIG. 18



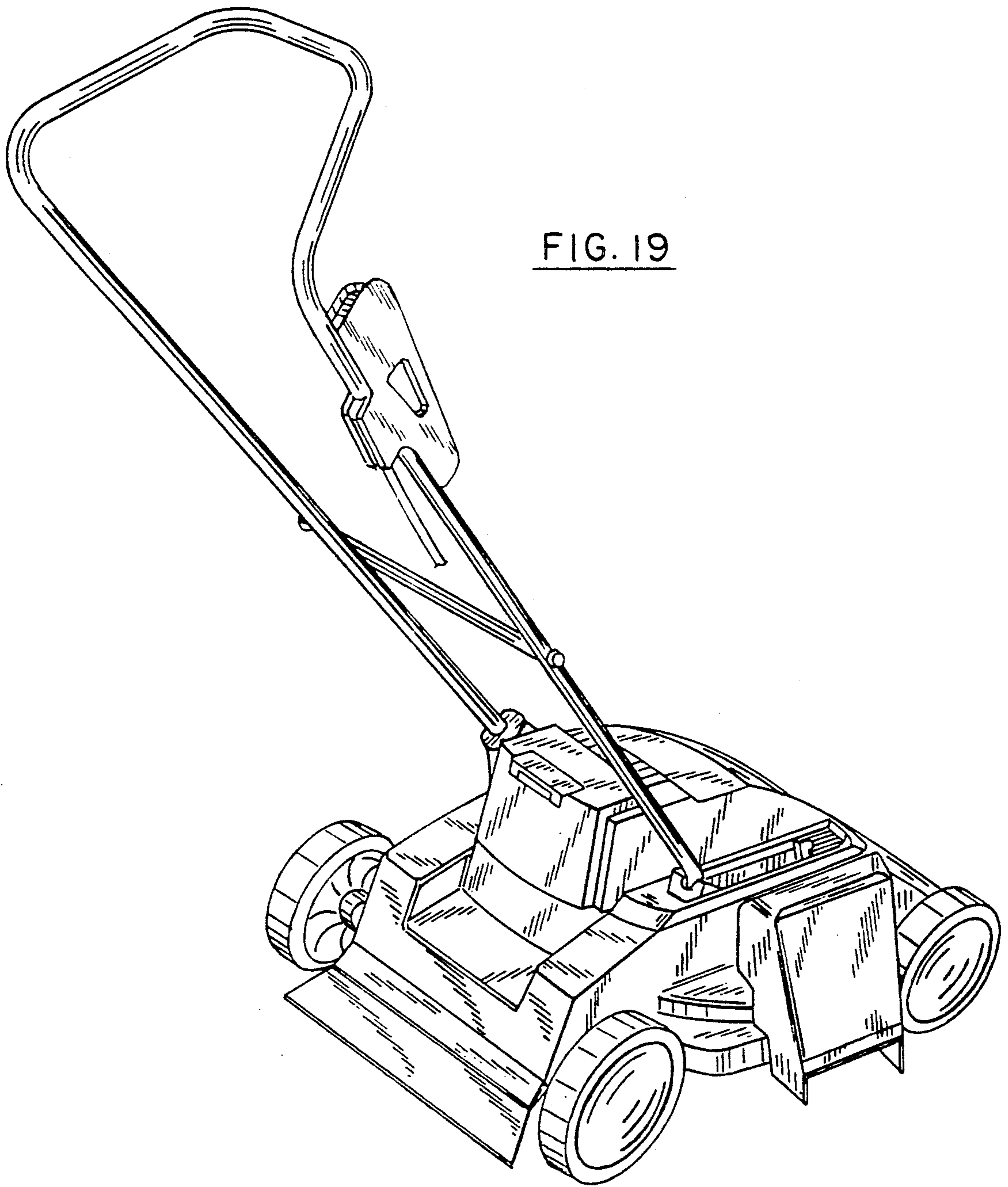


FIG. 20

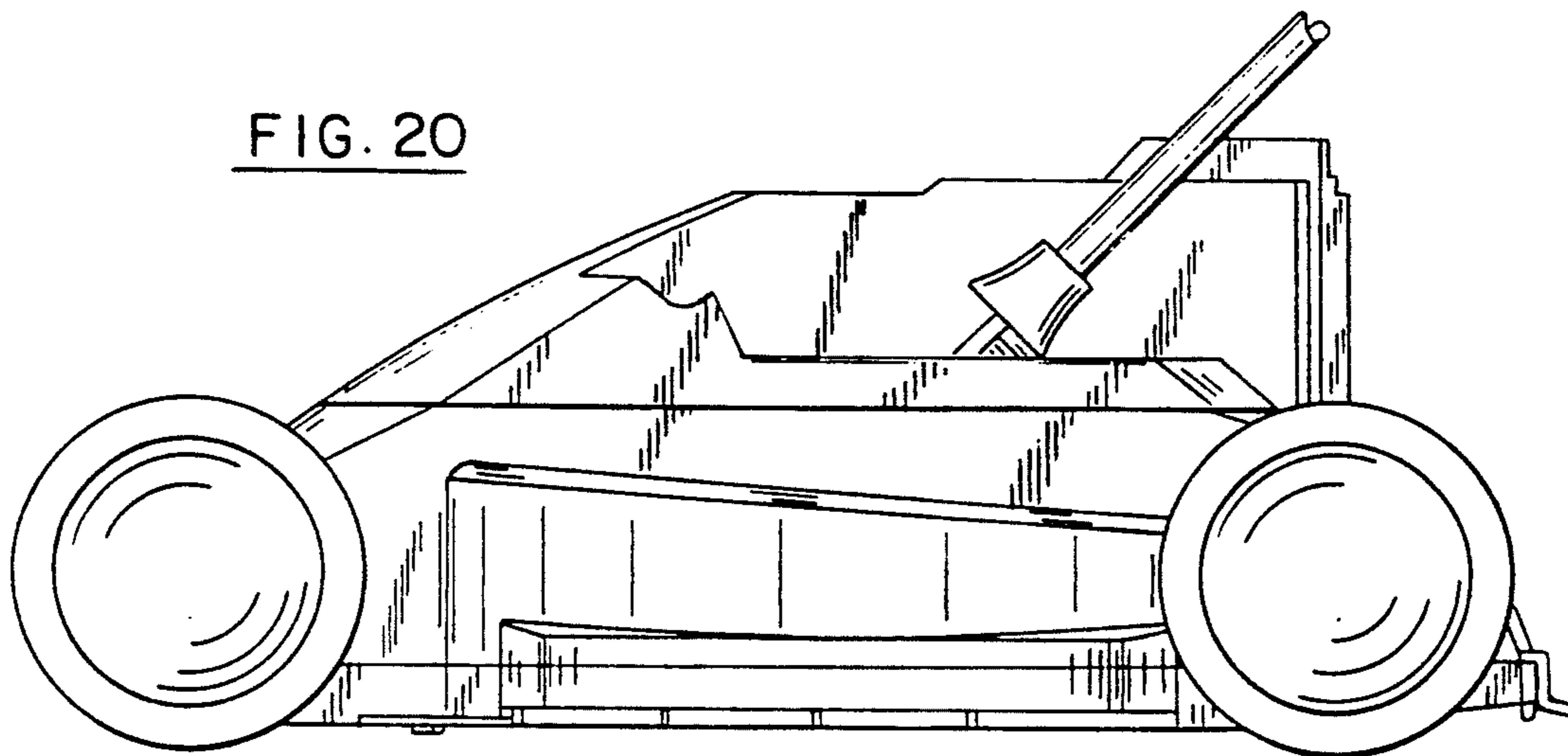


FIG. 21

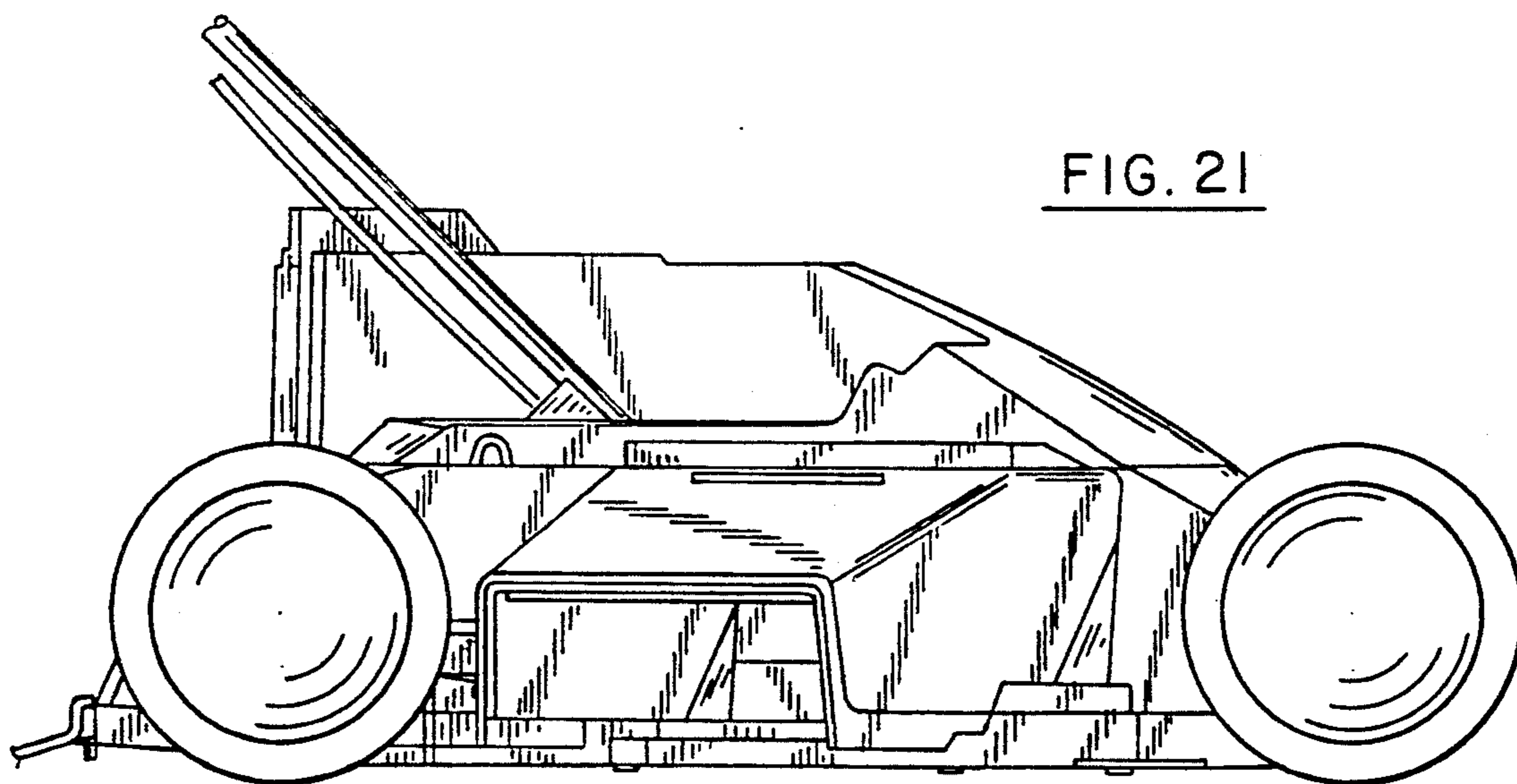




FIG. 22

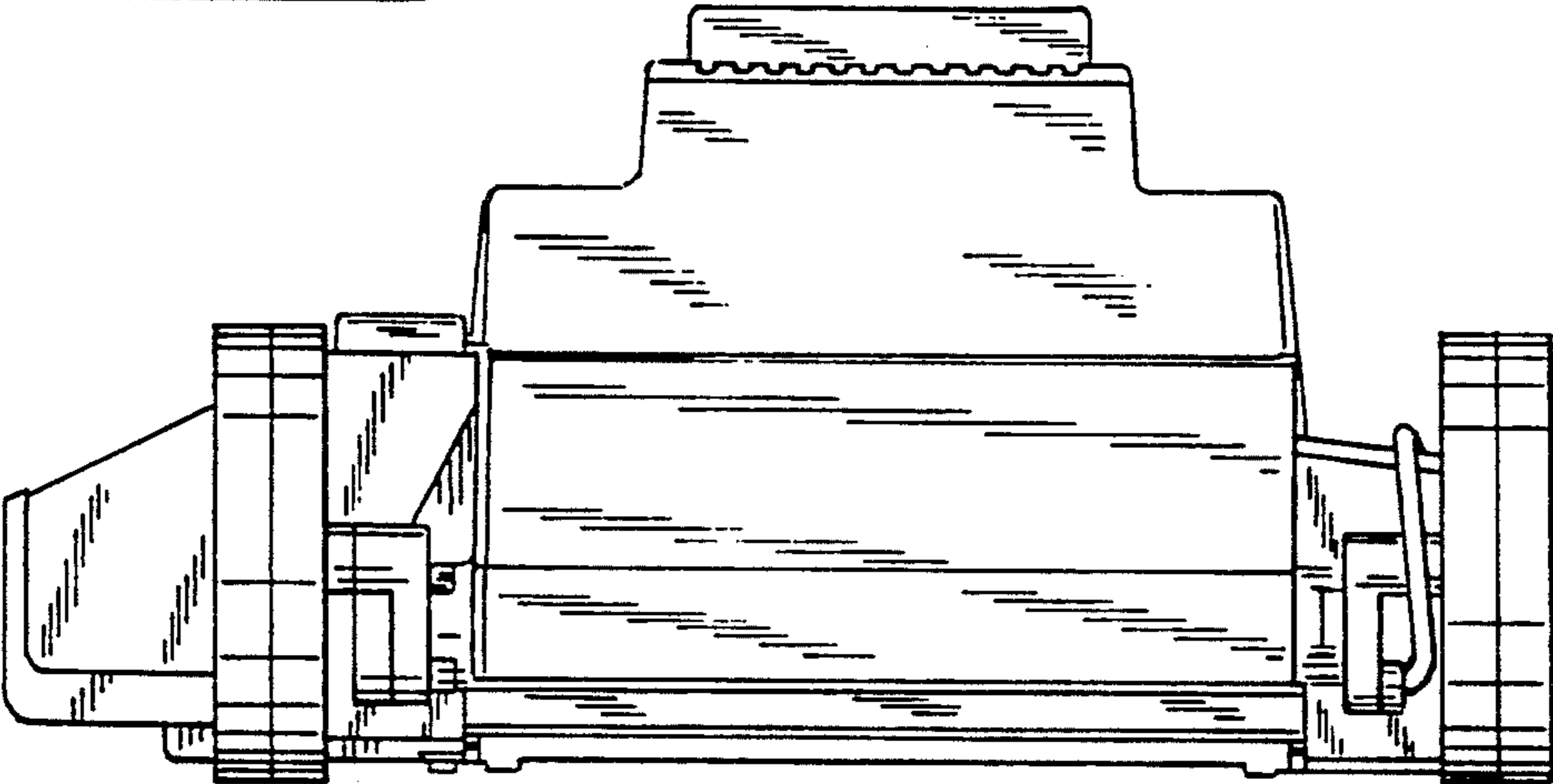


FIG. 23

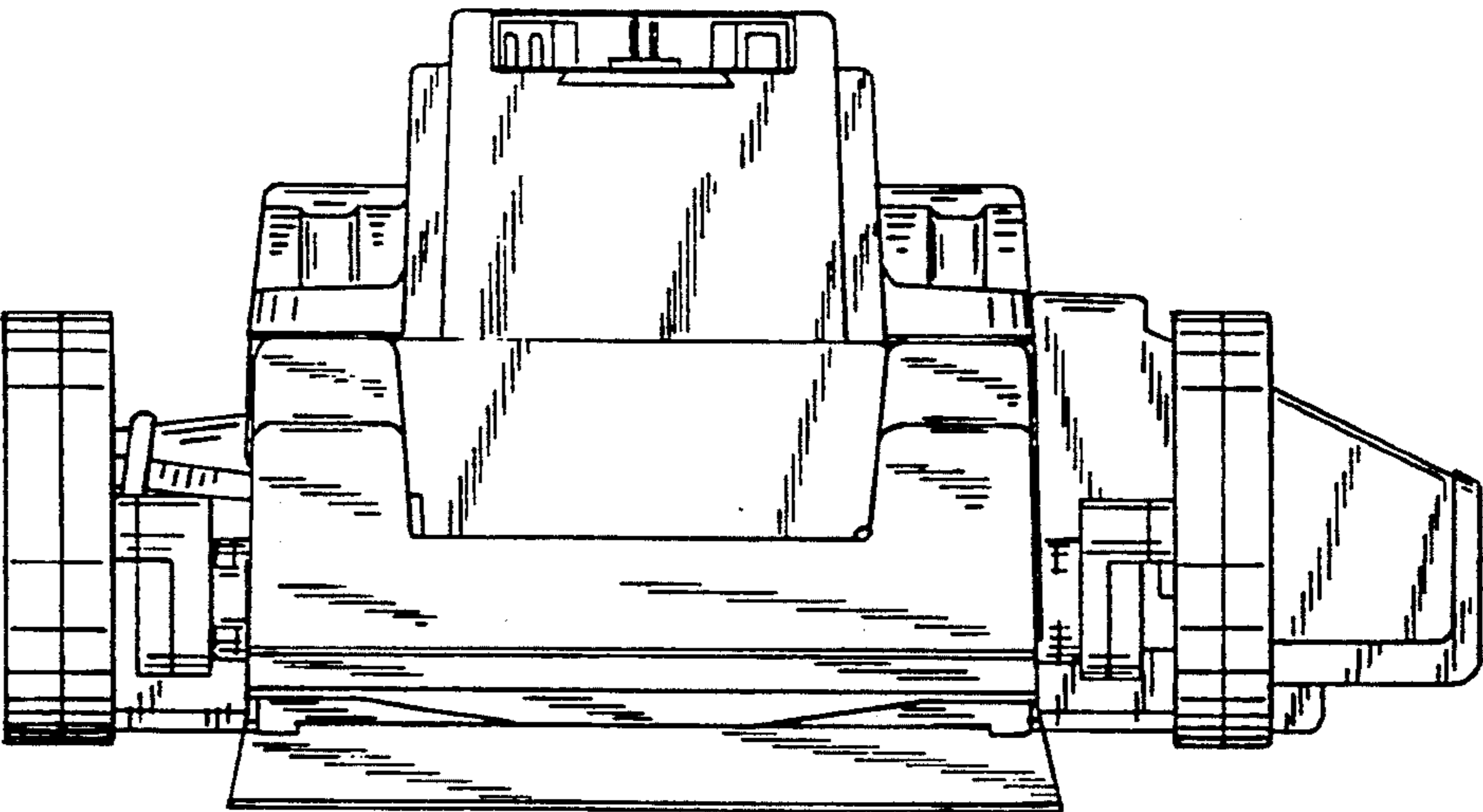


FIG. 24

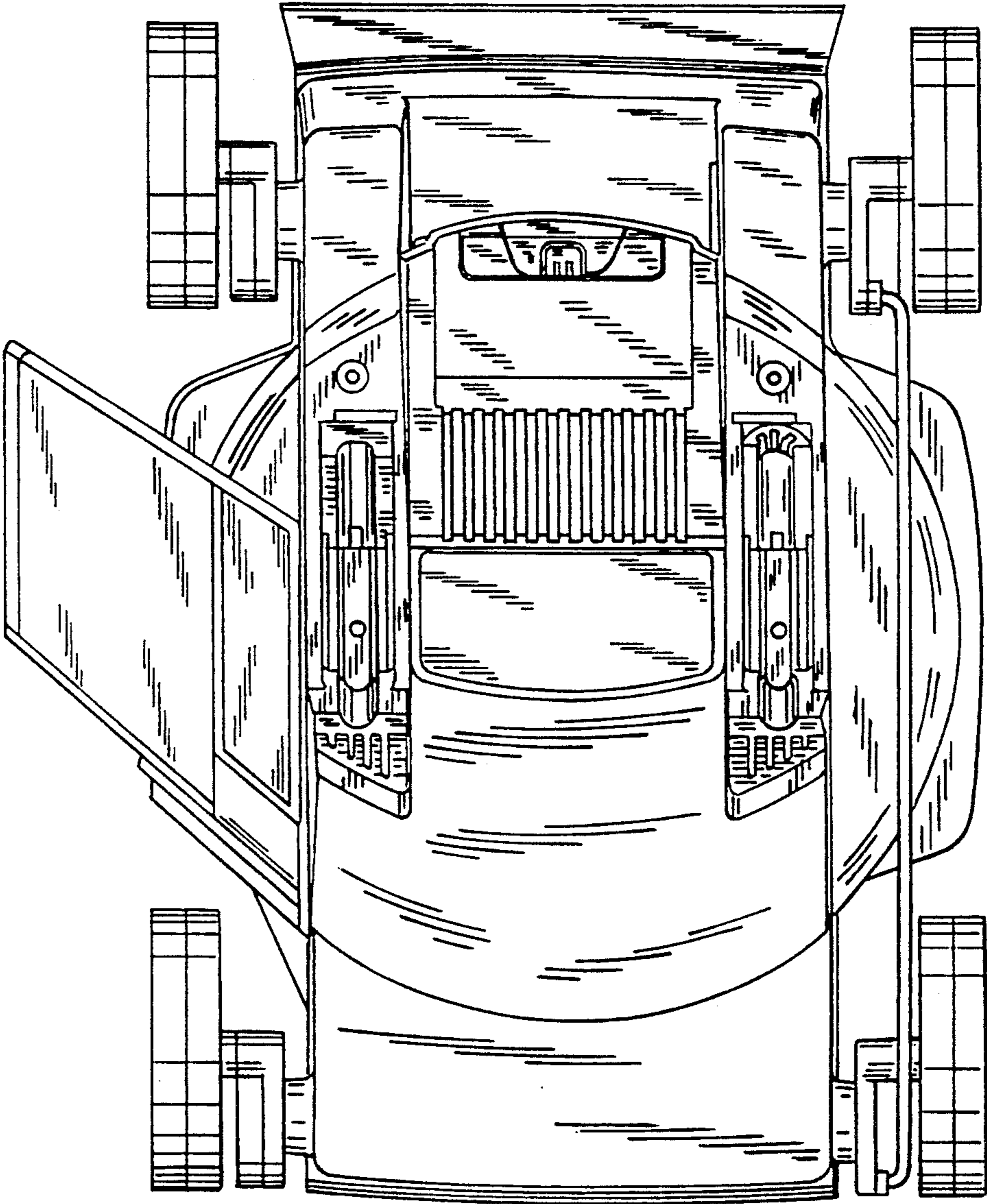


FIG. 25

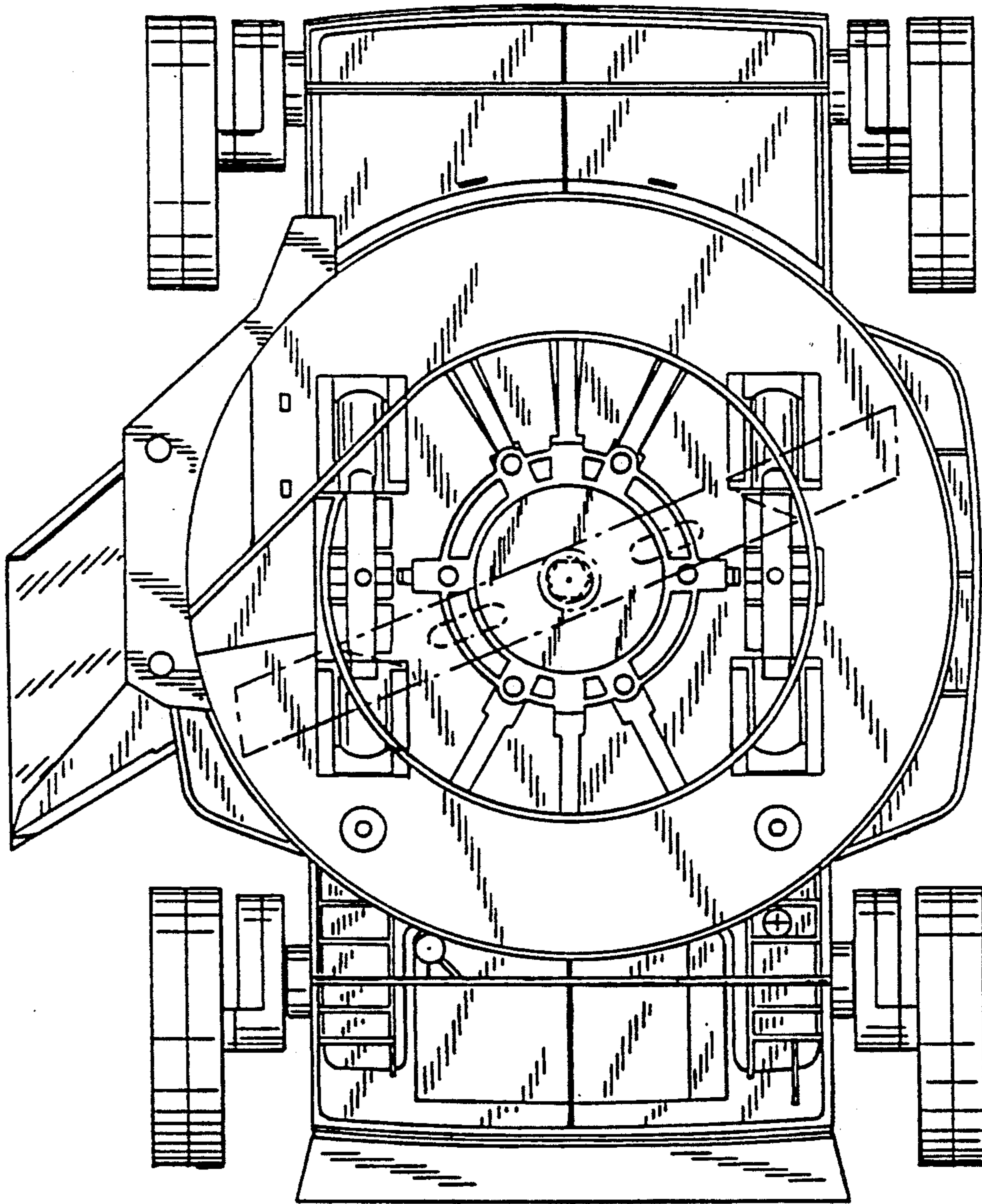


FIG. 26

