



US00D330208S

**United States Patent** [19]  
**Hawley**

[11] **Patent Number: Des. 330,208**  
[45] **Date of Patent: \*\* Oct. 13, 1992**

- [54] **SHAFT HOUSING WITH INTEGRAL TROUGH SEAL**
- [75] **Inventor: Erwin T. Hawley, Indianapolis, Ind.**
- [73] **Assignee: Rexnord Corporation, Milwaukee, Wis.**
- [\*\*] **Term: 14 Years**
- [21] **Appl. No.: 262,001**
- [22] **Filed: Oct. 24, 1988**
- [52] **U.S. Cl. .... D15/143**
- [58] **Field of Search ..... D15/143; 277/37; 384/478, 479, 480**

- [56] **References Cited**
- U.S. PATENT DOCUMENTS**
- D. 245,366 8/1977 Berglund ..... D15/143
- 1,161,465 11/1915 Foley ..... 384/478
- 1,978,739 10/1934 Brittain, Jr. .... 384/478
- 1,991,077 2/1935 Brittain, Jr. .... 384/480
- 2,481,430 9/1949 Koller ..... 384/479 X
- 2,688,520 9/1954 Covington ..... 384/479
- 3,460,842 8/1969 Pointer et al. .... 277/2
- 3,477,847 6/1969 Stansell et al. .... 384/478

**FOREIGN PATENT DOCUMENTS**

1203816 9/1970 United Kingdom .

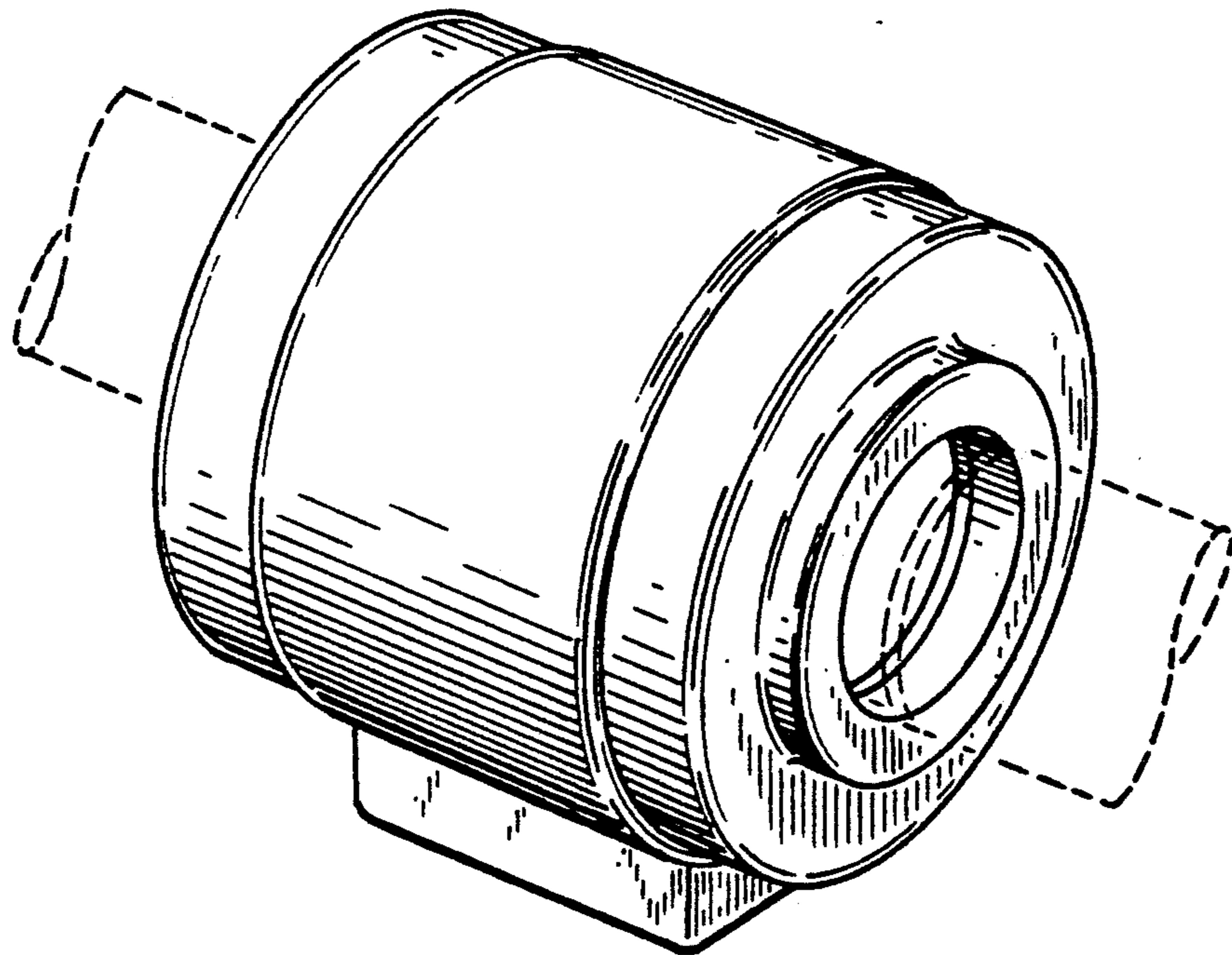
*Primary Examiner*—Donald P. Walsh  
*Assistant Examiner*—Antoine D. Davis  
*Attorney, Agent, or Firm*—Michael, Best & Friedrich

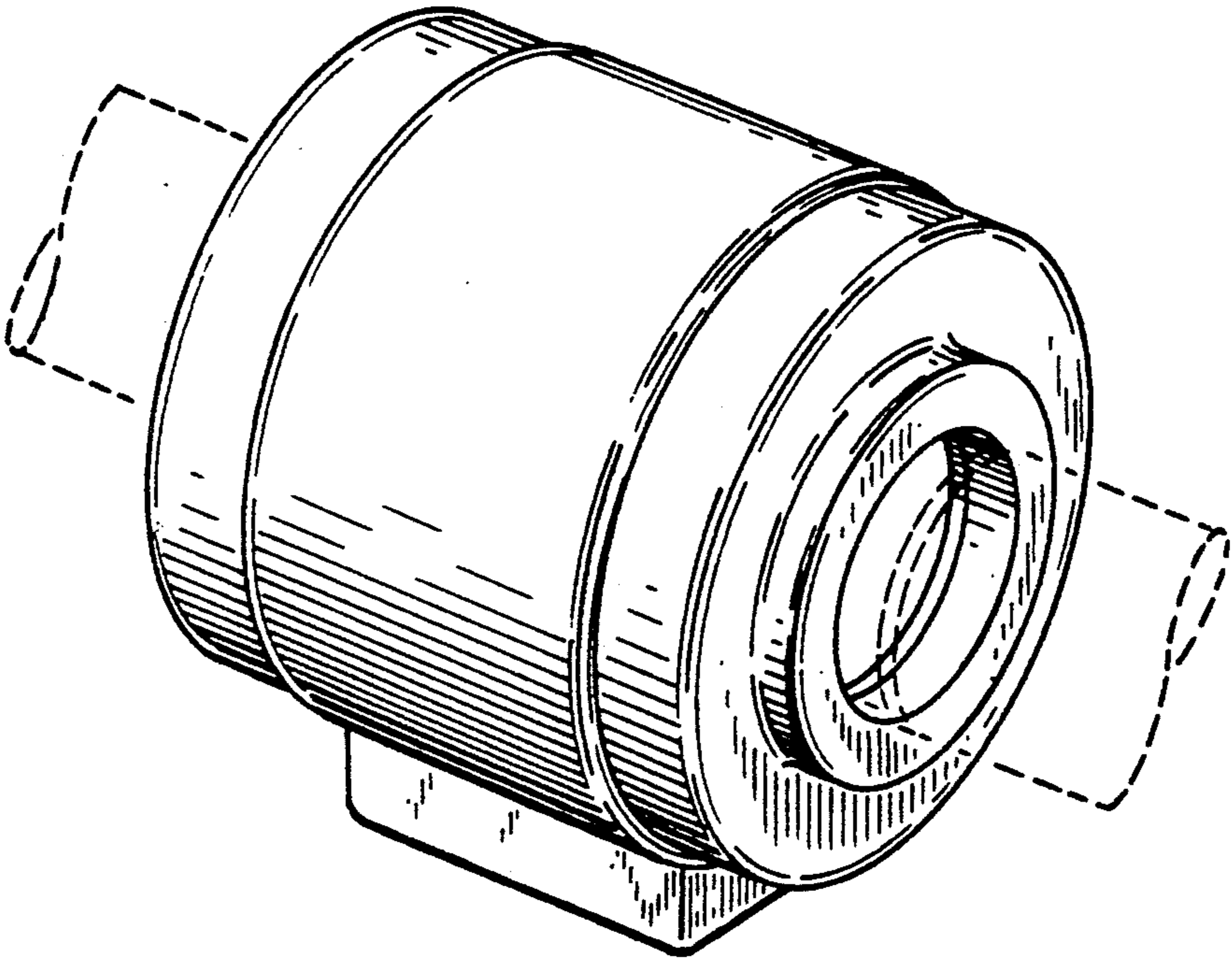
[57] **CLAIM**

The ornamental design for a shaft housing with integral trough seal, as shown and described.

**DESCRIPTION**

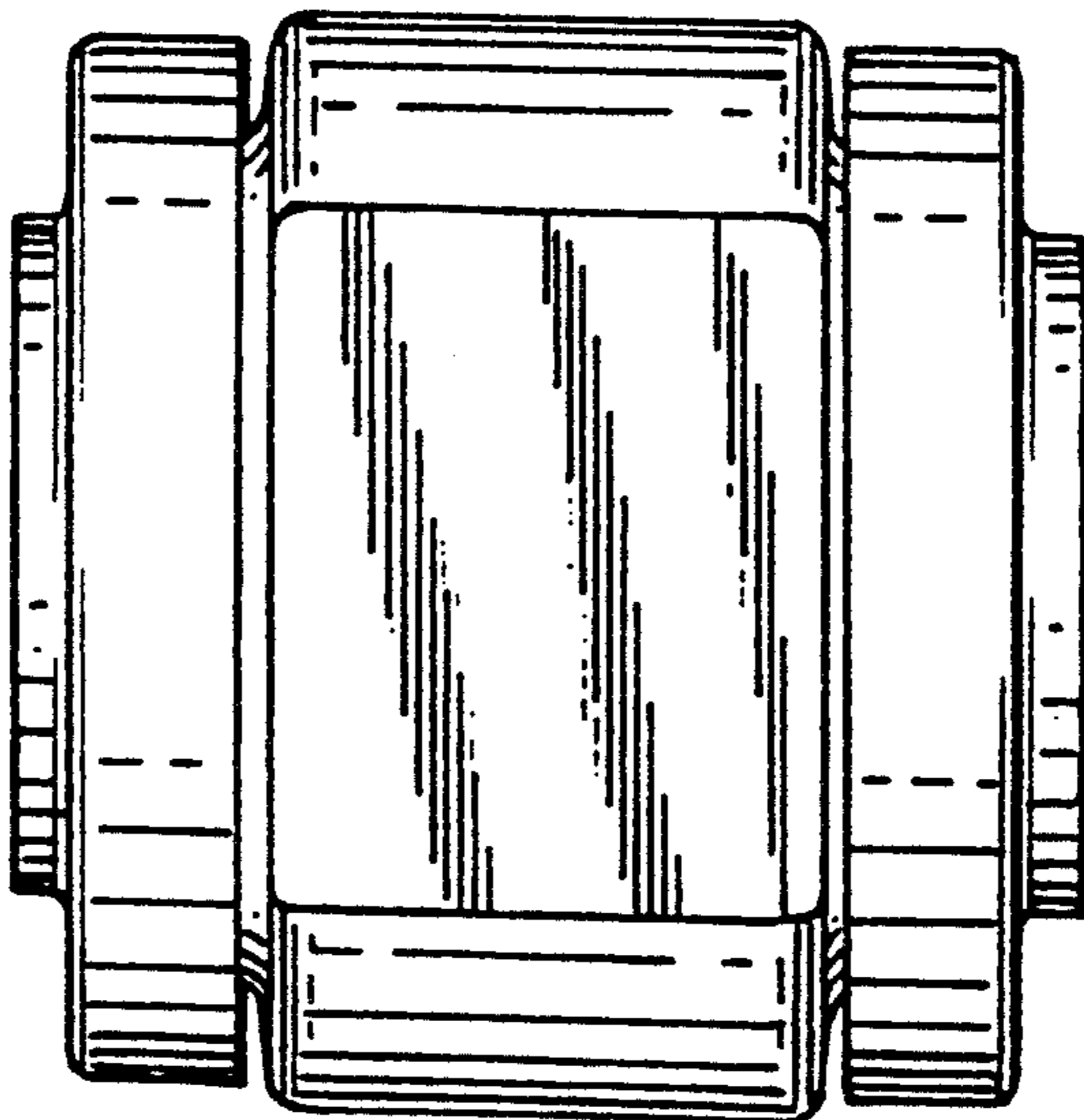
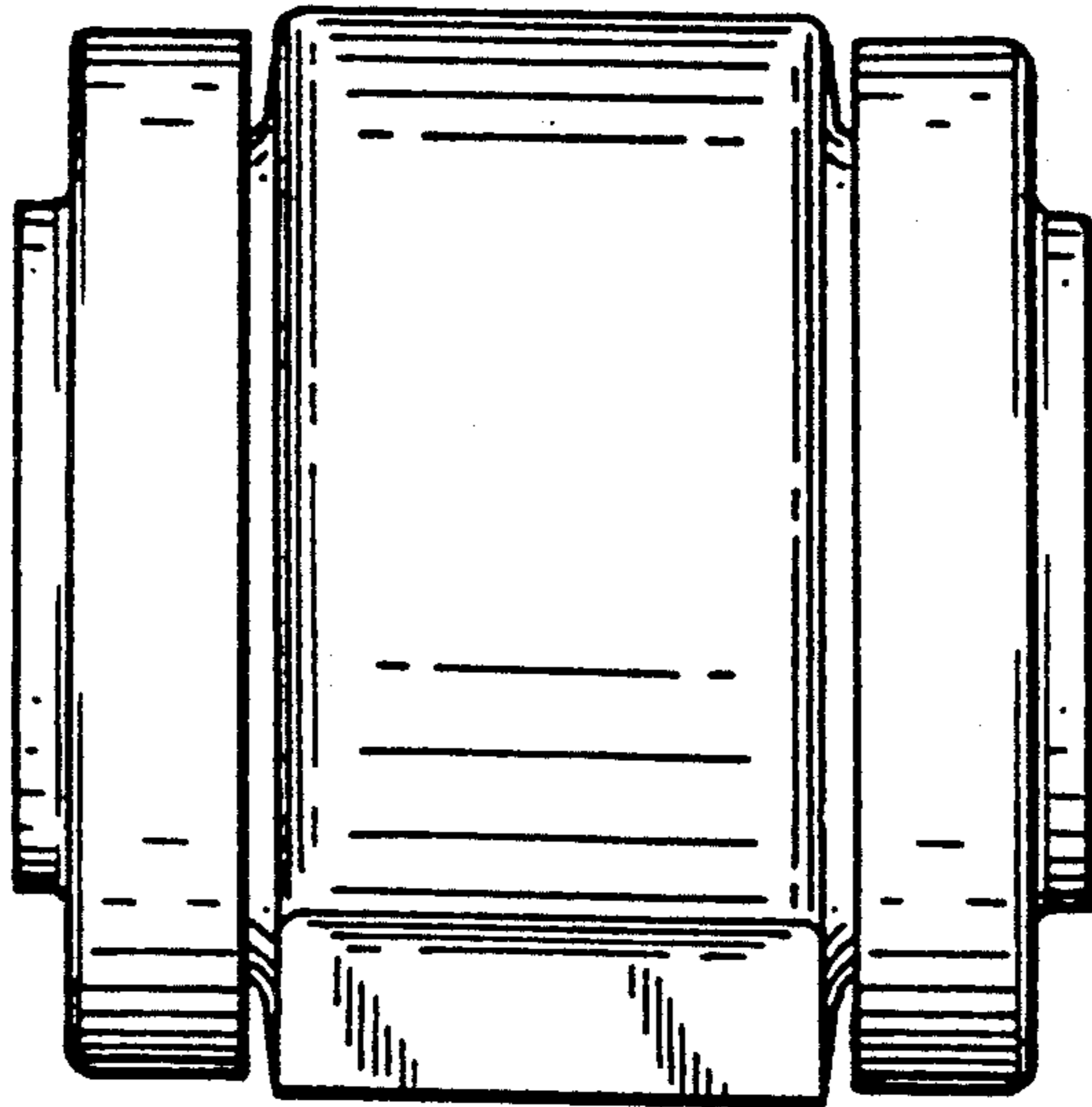
FIG. 1 is a perspective view of a shaft housing with integral tough seal showing my new design;  
 FIG. 2 is a typical side elevational view;  
 FIG. 3 is a bottom plan view;  
 FIG. 4 is a top plan view;  
 FIG. 5 is a left side elevational view;  
 FIG. 6 is a typical side elevational view;  
 FIG. 7 is a right side elevational view;  
 FIG. 8 is a typical side elevational view of a second embodiment showing my new design of FIGS. 1-7;  
 FIG. 9 is a top plan view;  
 FIG. 10 is a bottom plan view;  
 FIG. 11 is a left side elevational view; and,  
 FIG. 12 is a right side elevational view thereof.  
 The broken line showing of a pipe element is for environmental purposes only and form no part of the claimed design.





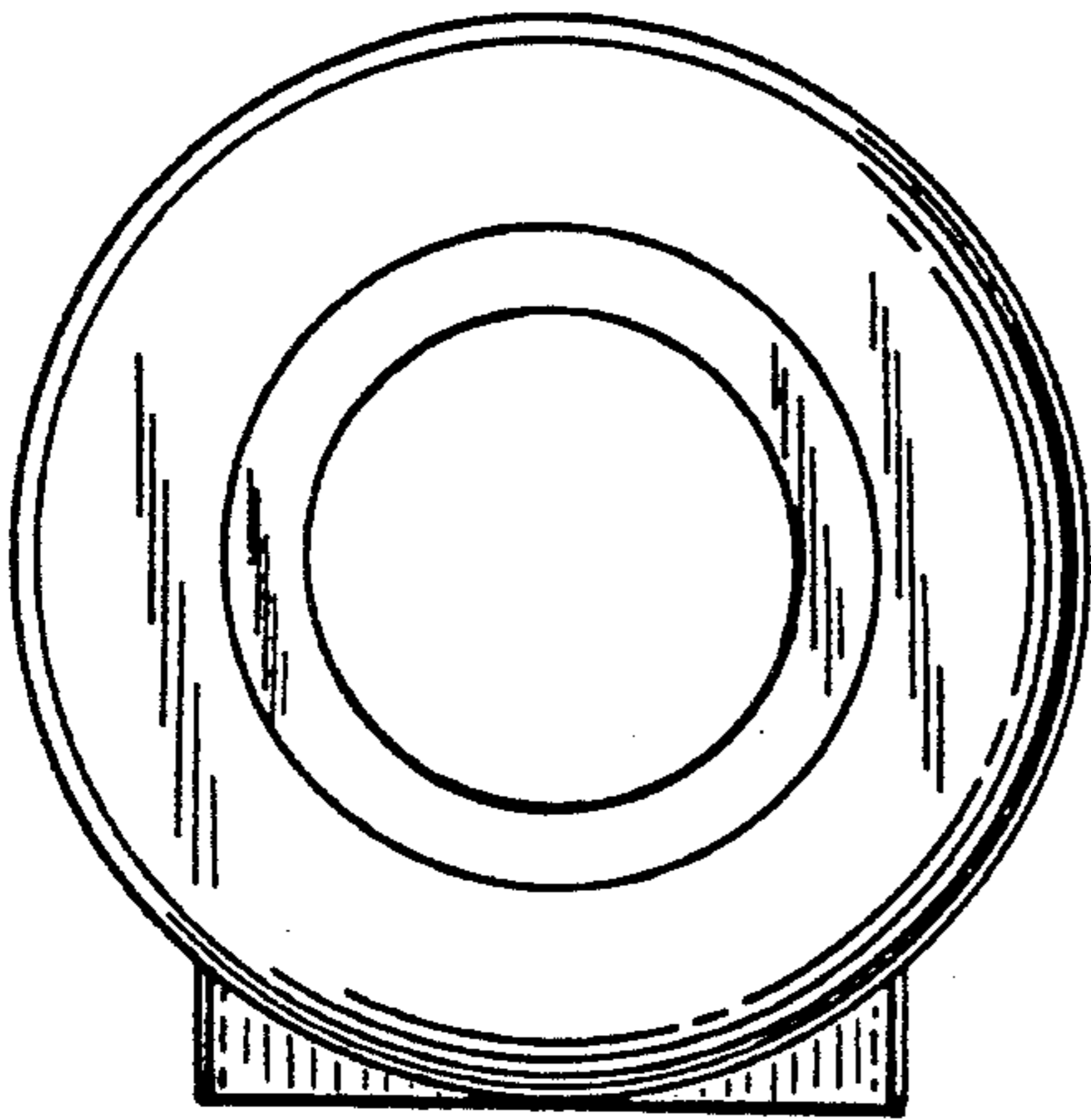
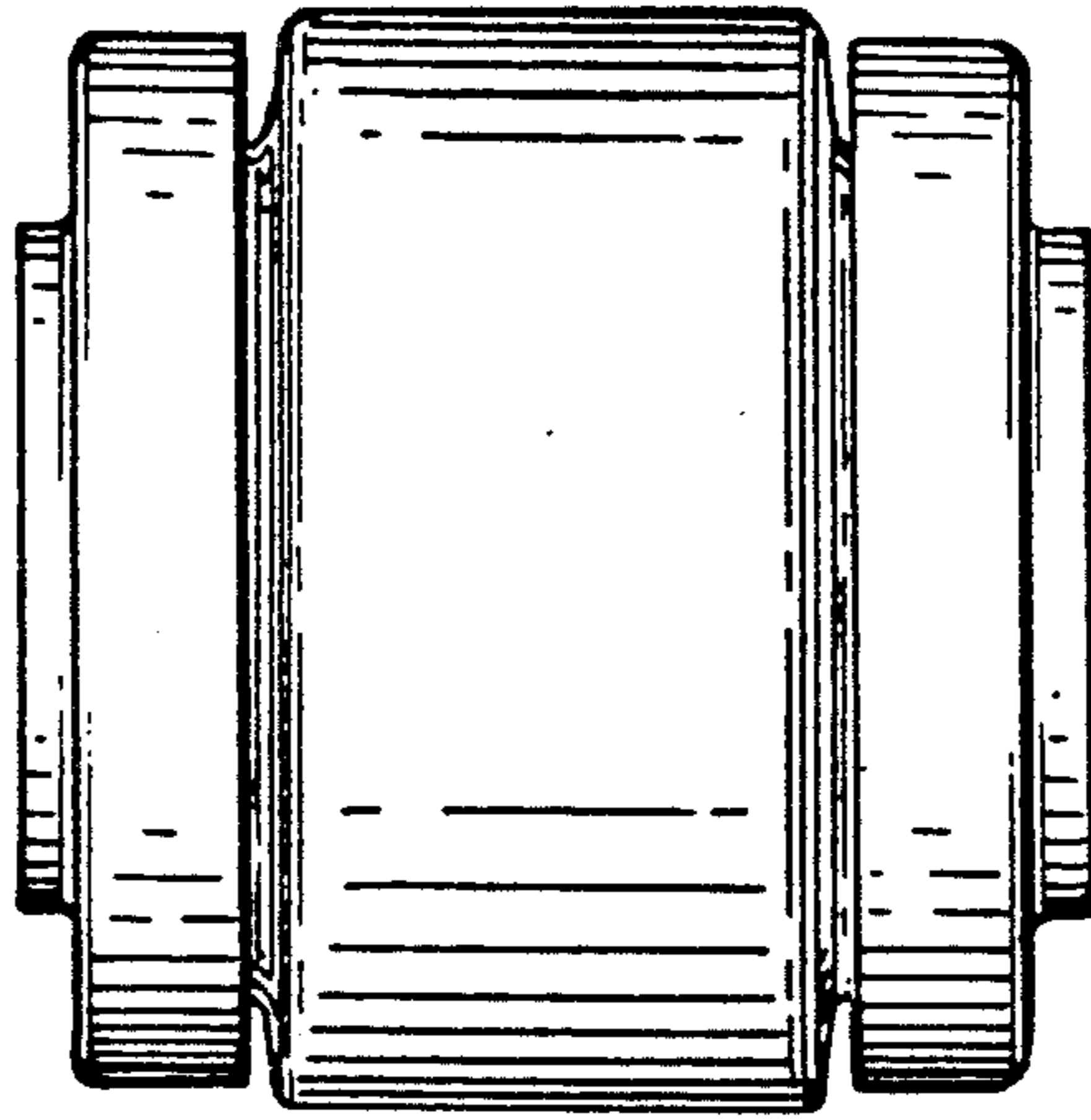
*FIG. 1*

*FIG. 2*

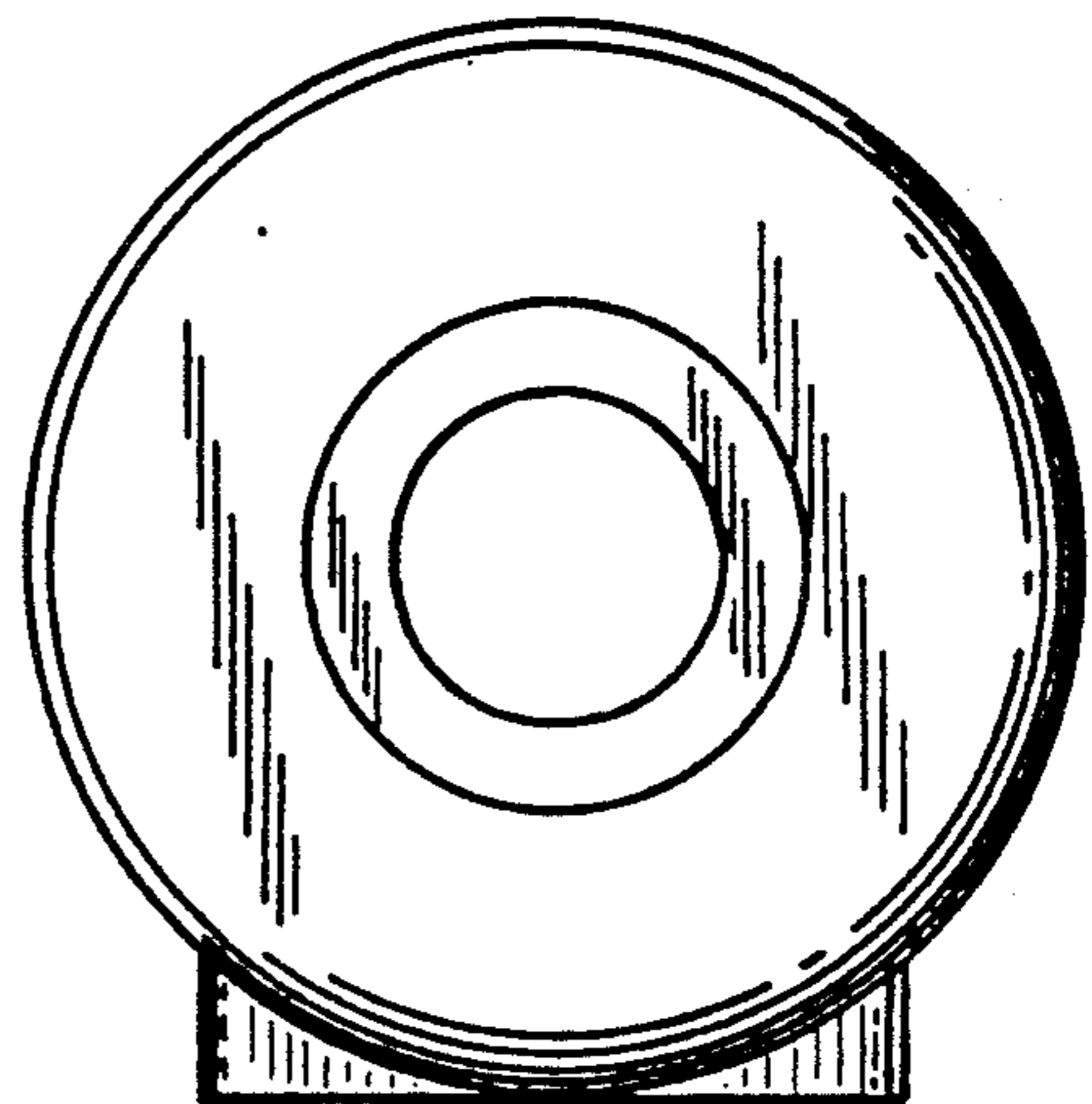


*FIG. 3*

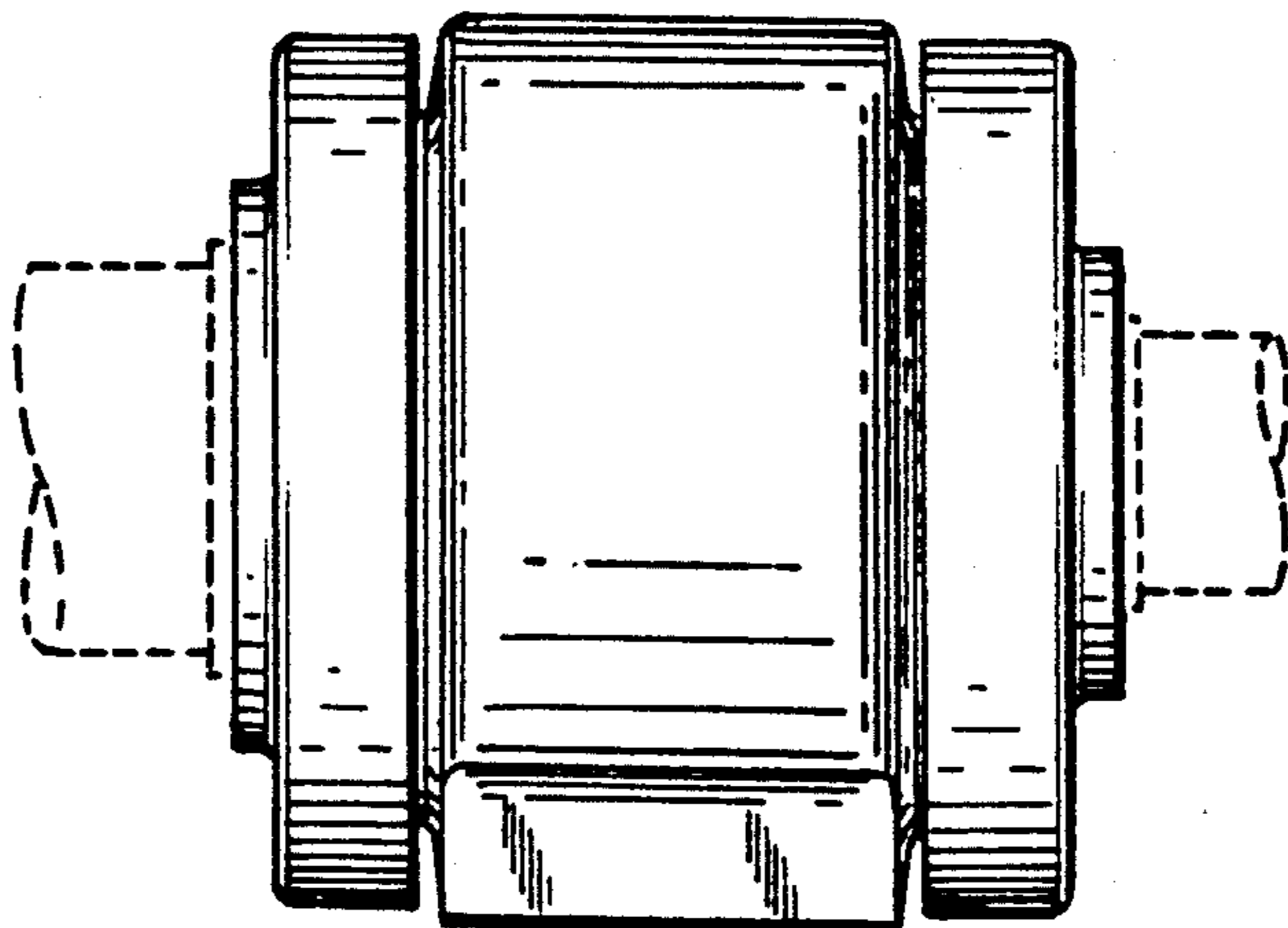
*FIG. 4*



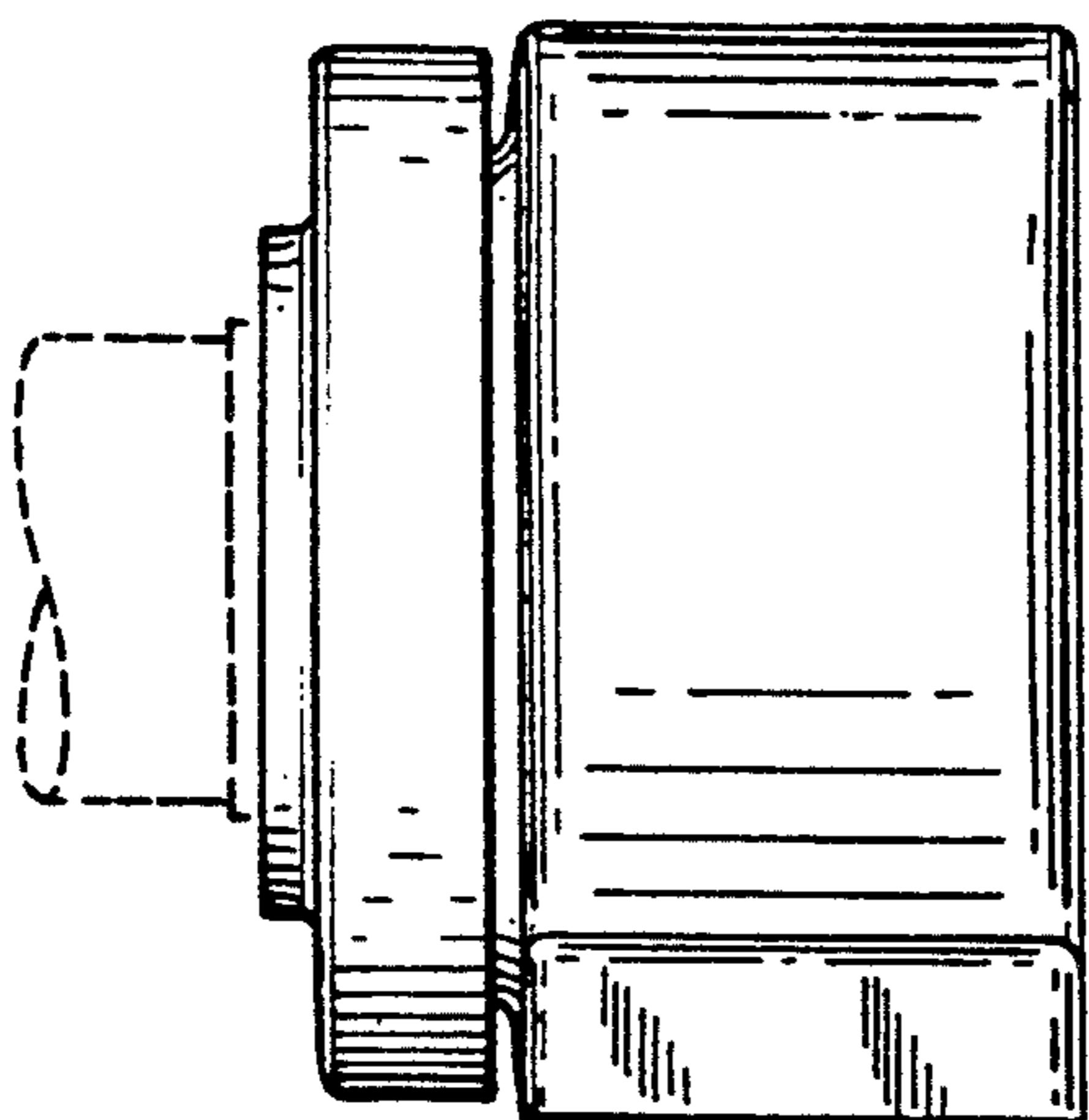
*FIG. 5*



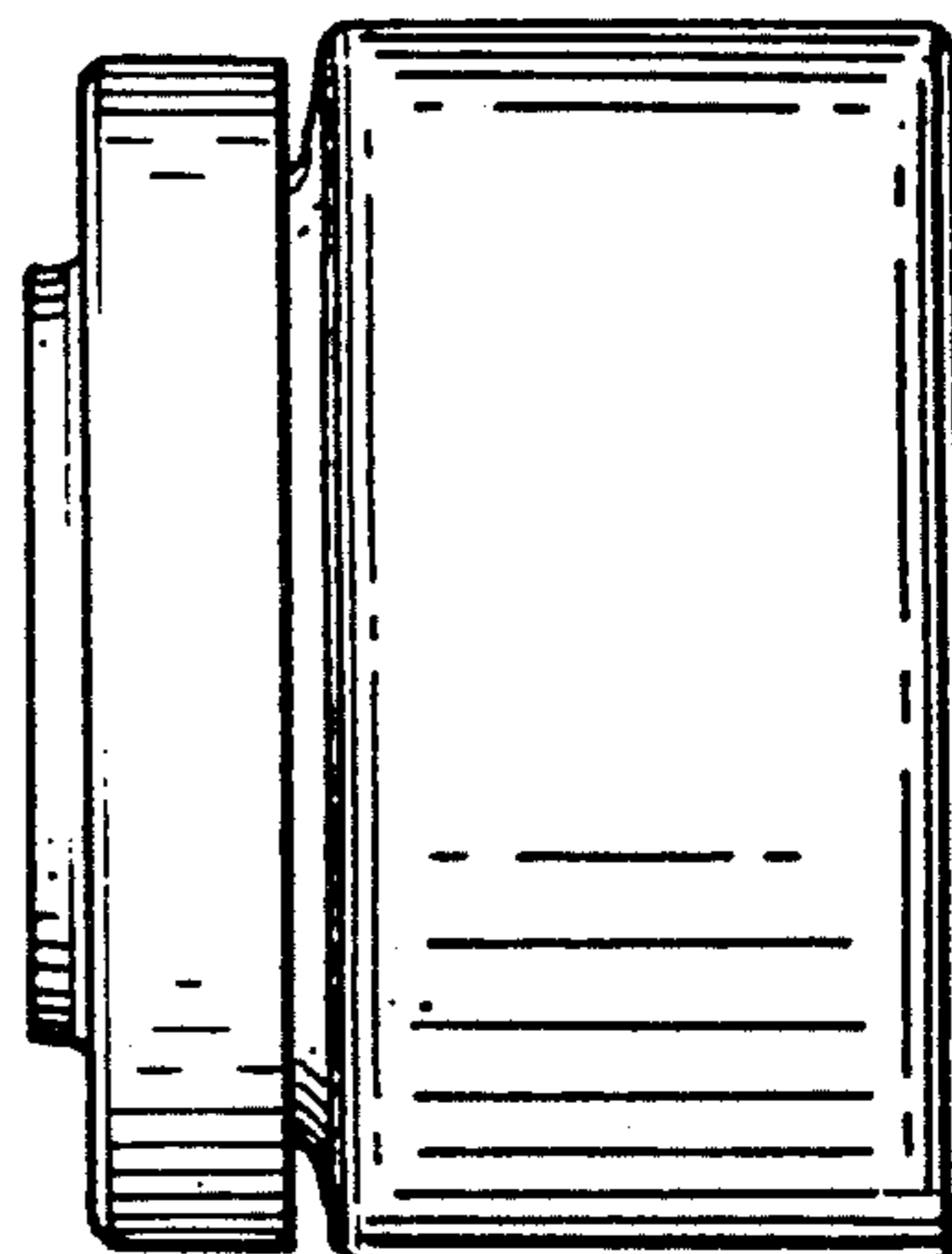
*FIG. 7*



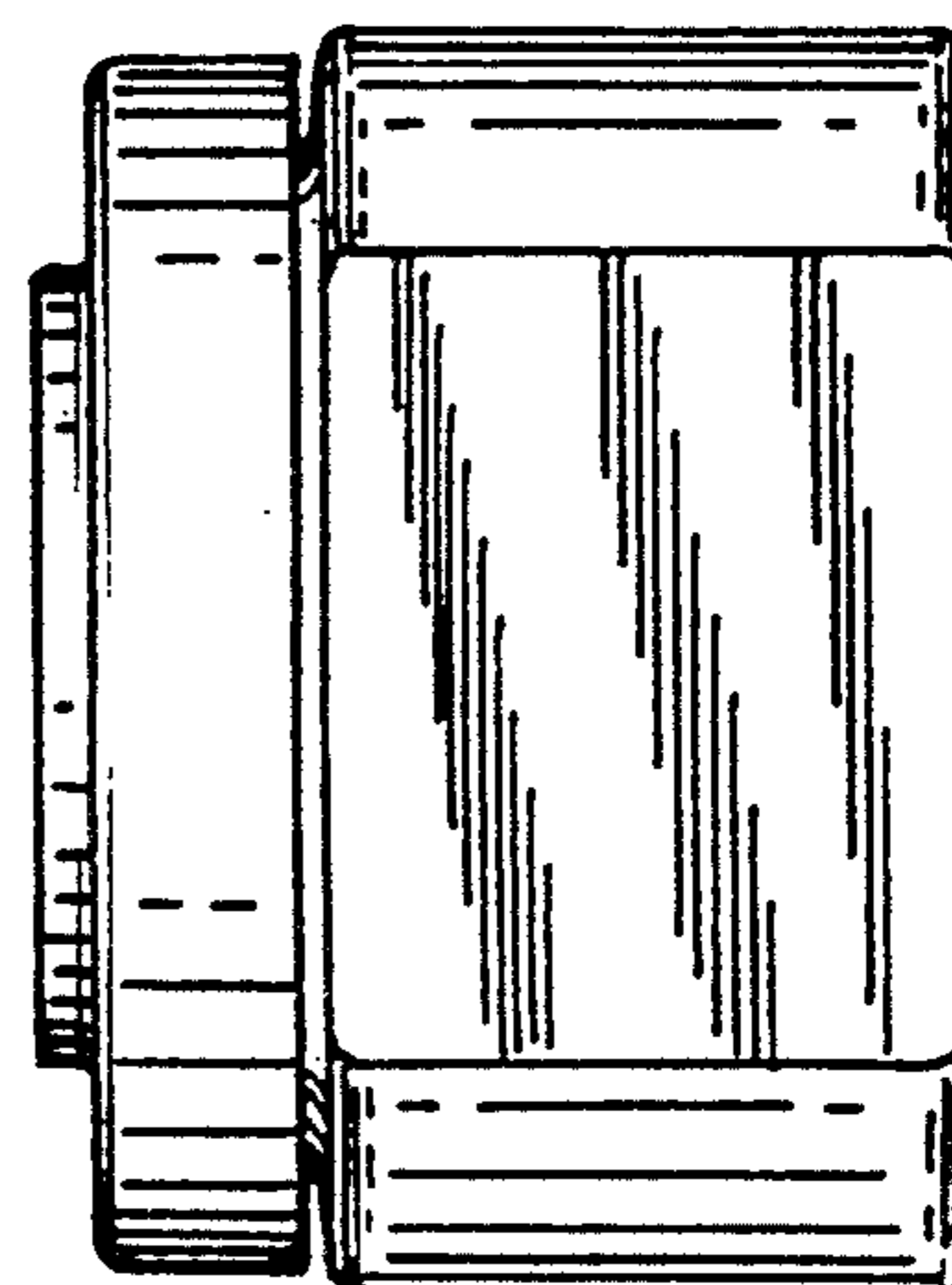
*FIG. 6*



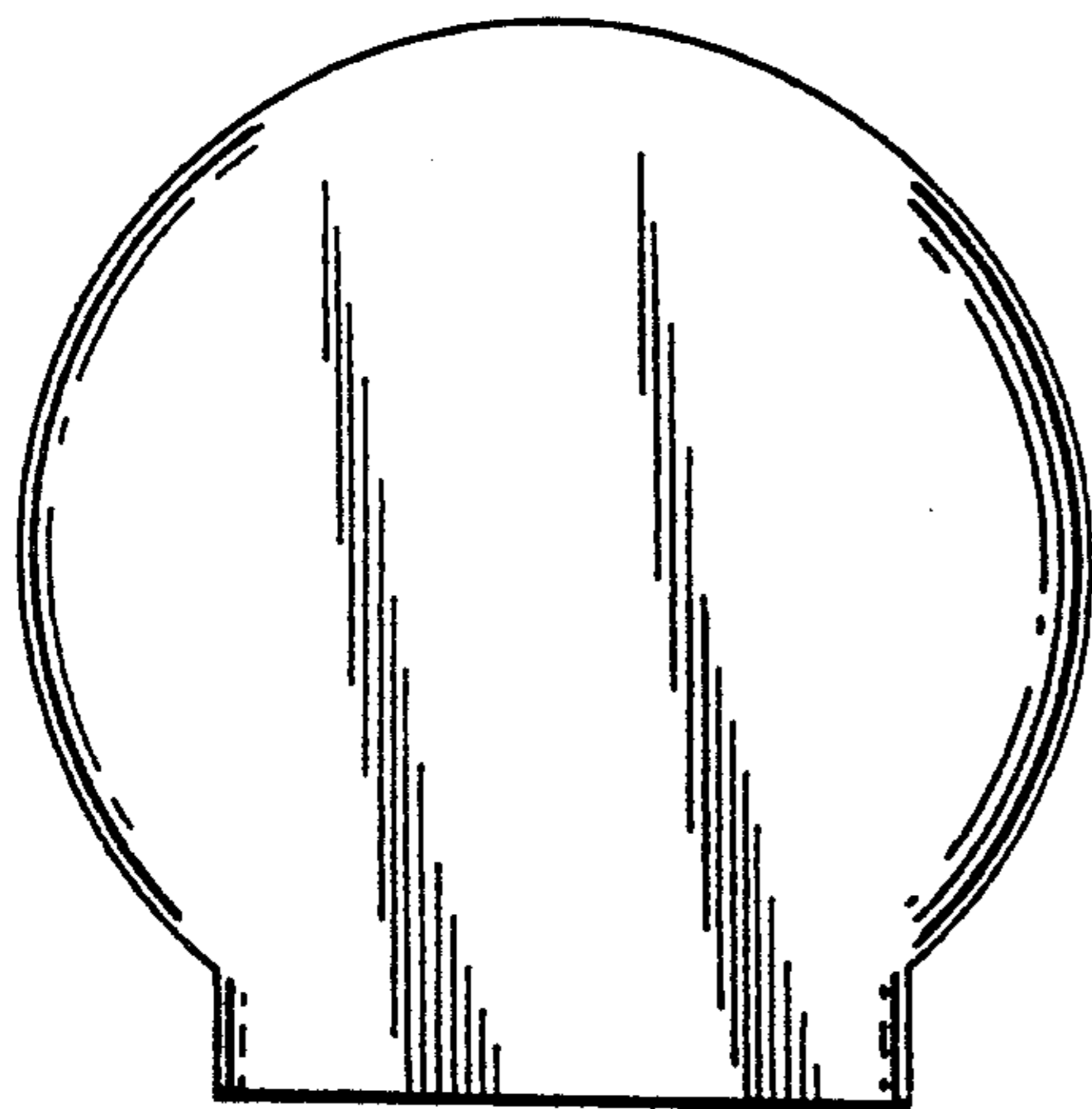
*FIG. 8*



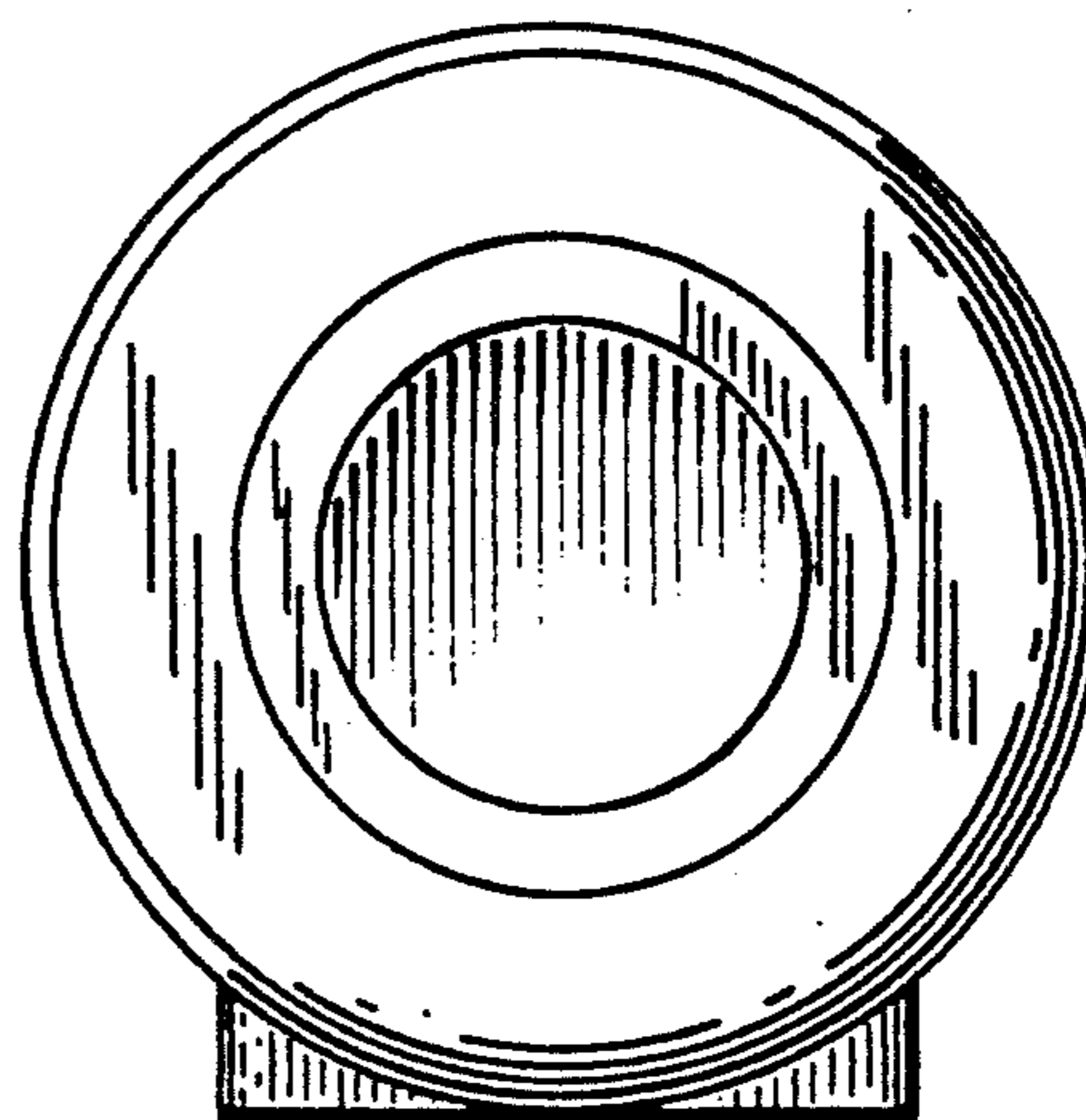
*FIG. 9*



*FIG. 10*



*FIG. 11*



*FIG. 12*