



US00D330207S

United States Patent [19]

Andrews

[11] Patent Number: **Des. 330,207**

[45] Date of Patent: **** Oct. 13, 1992**

[54] **ADJUSTABLE HEAD DRILL SOCKET**

4,896,892 1/1990 Andrews .

[75] Inventor: **Edward A. Andrews**, Bloomfield Hills, Mich.

FOREIGN PATENT DOCUMENTS

[73] Assignee: **McKlancy Corporation**, Sterling Heights, Mich.

2831660 3/1979 Fed. Rep. of Germany .
8101761 4/1981 Netherlands .
2198374A 6/1988 United Kingdom .
2214453 9/1989 United Kingdom 279/1 A

[**] Term: **14 Years**

Primary Examiner—Donald P. Walsh
Assistant Examiner—Antoine D. Davis
Attorney, Agent, or Firm—Harness, Dickey & Pierce

[21] Appl. No.: **431,326**

[22] Filed: **Nov. 3, 1989**

[57] CLAIM

[52] U.S. Cl. **D15/140**

The ornamental design for an adjustable head drill socket, as shown and described.

[58] Field of Search **D15/140; D8/29, 70; 279/1 A; 408/239 A, 239 R**

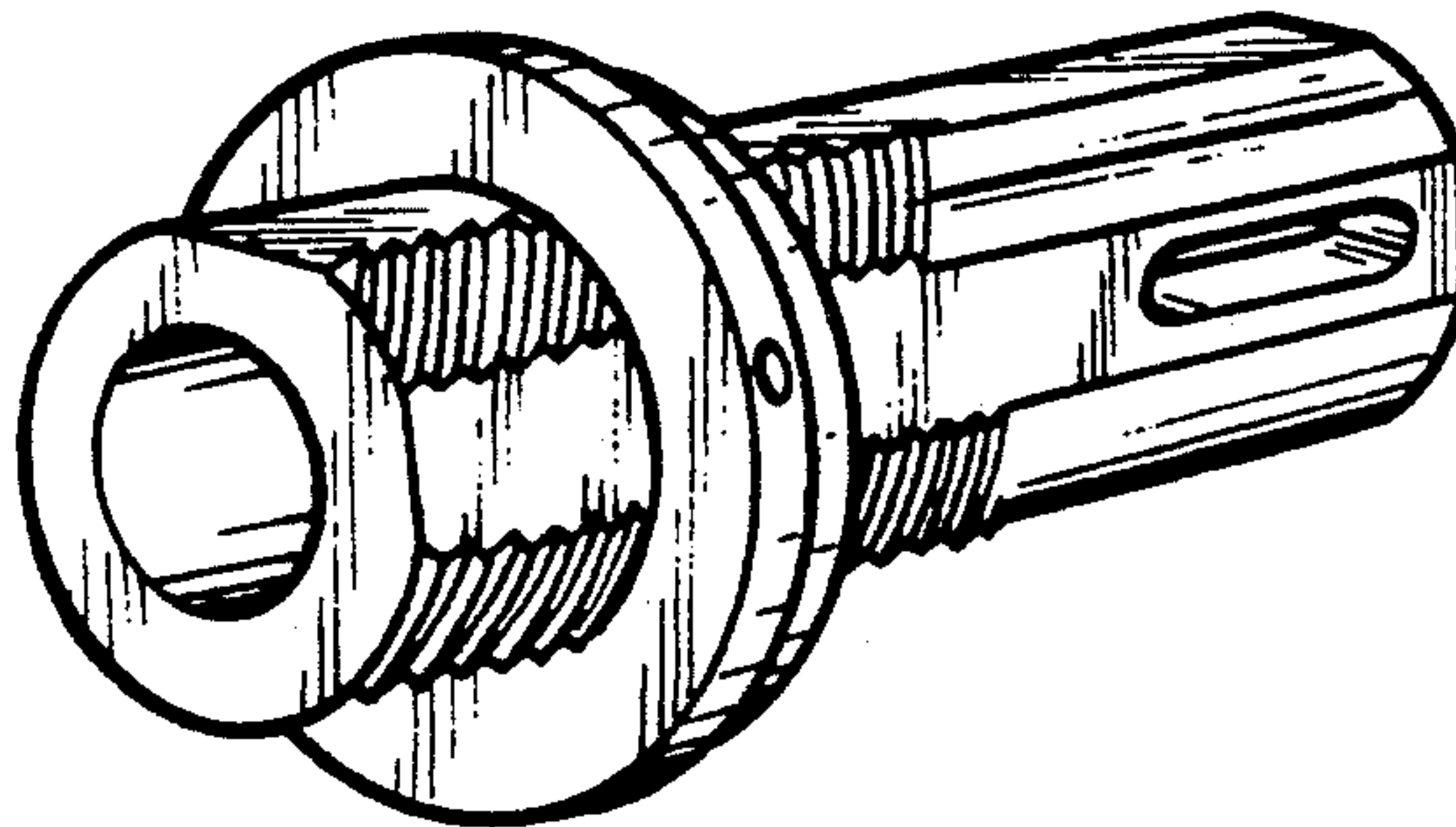
DESCRIPTION

[56] References Cited

U.S. PATENT DOCUMENTS

- D. 244,279 5/1977 Ponemon 279/1 A X
- D. 271,977 12/1983 Baker D15/140
- D. 289,405 4/1987 Nyström D15/140
- D. 293,798 1/1988 Johnson D15/140
- D. 296,559 7/1988 Drabinski D15/140
- 1,645,948 10/1927 Galloway et al. .
- 1,765,362 6/1930 Berry .
- 2,432,860 12/1947 Clatfelter .
- 2,676,809 4/1954 Smith .
- 2,938,698 5/1960 Johnson .
- 2,998,258 8/1961 Ambrose .
- 3,160,420 12/1964 Simpson 279/1 A X
- 3,507,508 4/1970 Andrews .
- 3,691,883 9/1972 Ingram .
- 4,477,095 10/1984 Atkinson, III .

FIG. 1 is a front perspective view of an adjustable head drill socket showing my new design;
 FIG. 2 is a left side elevational view;
 FIG. 3 is a front elevational view;
 FIG. 4 is a rear elevational view;
 FIG. 5 is a right side perspective view;
 FIG. 6 is a cross-sectional view of line 6—6 of FIG. 3;
 FIG. 7 is a front elevational view of a second embodiment showing my new design of FIGS. 1-6 shown with acme threading;
 FIG. 8 is a front perspective view;
 FIG. 9 is a front elevational view;
 FIG. 10 is a typical side elevational view; and,
 FIG. 11 is a right side elevational view thereof.
 FIGS. 1, 2, 5, 7, 8 and 11 have been drawn on an enlarged scale with respect to FIGS. 3, 4, 6, 9 and 10.



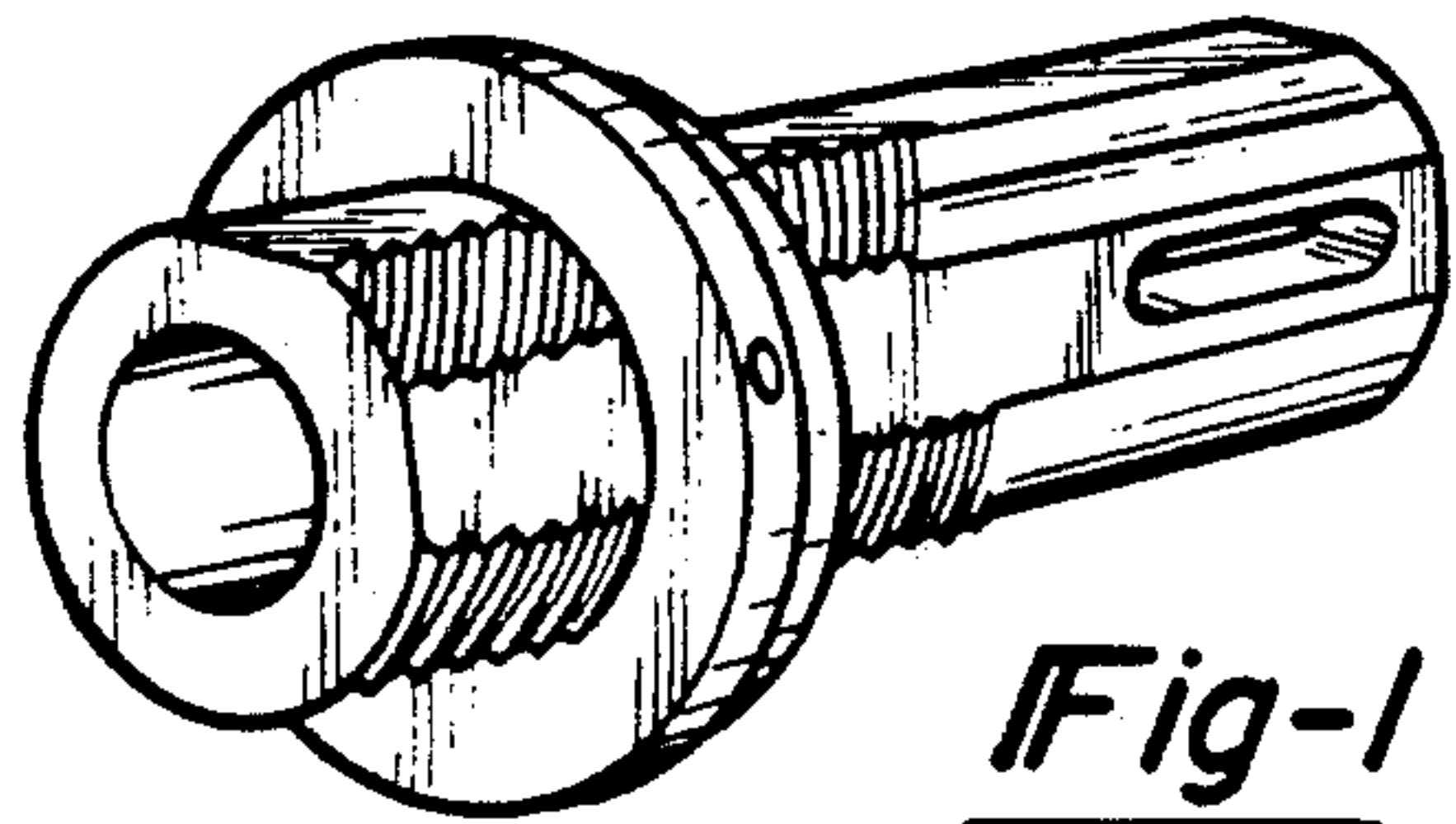


Fig-1

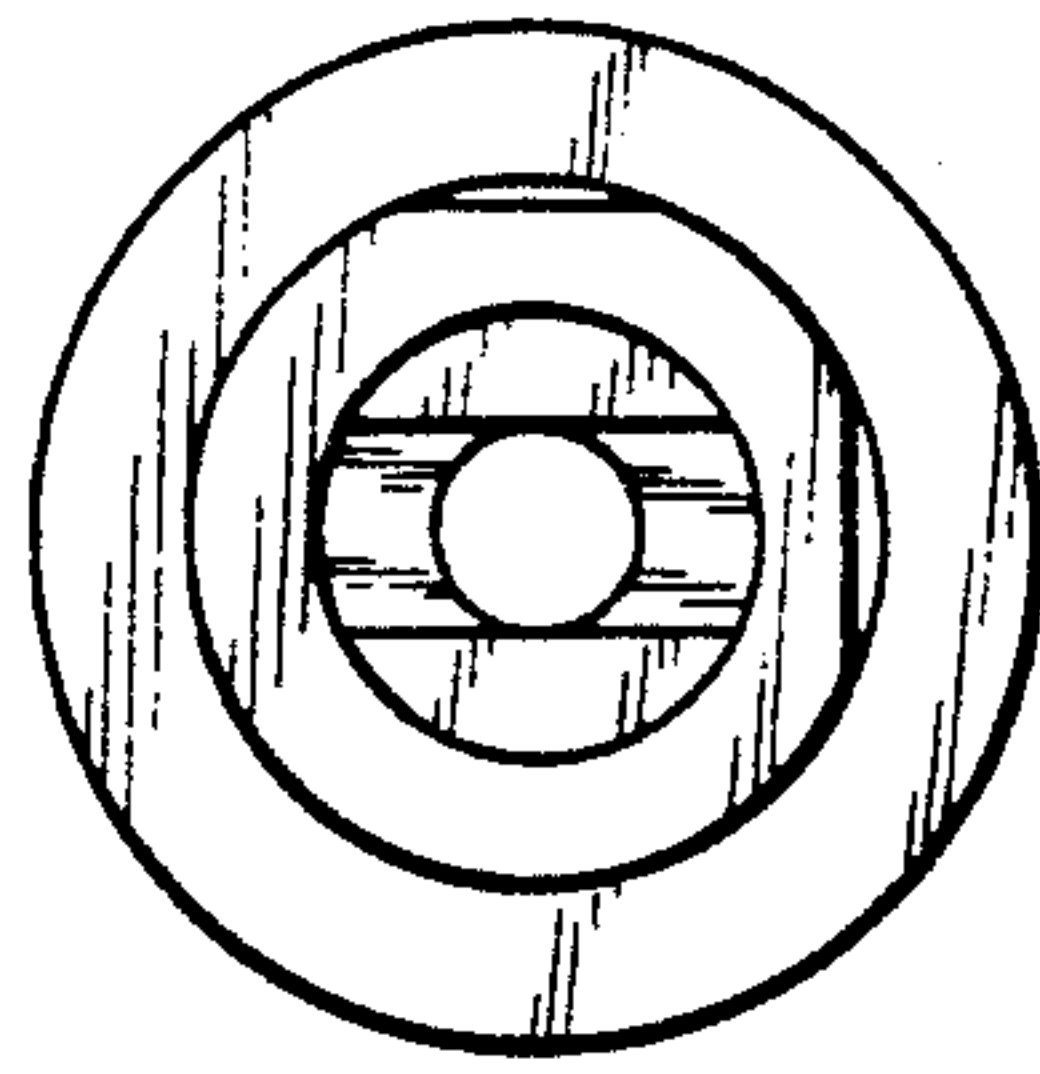


Fig-2

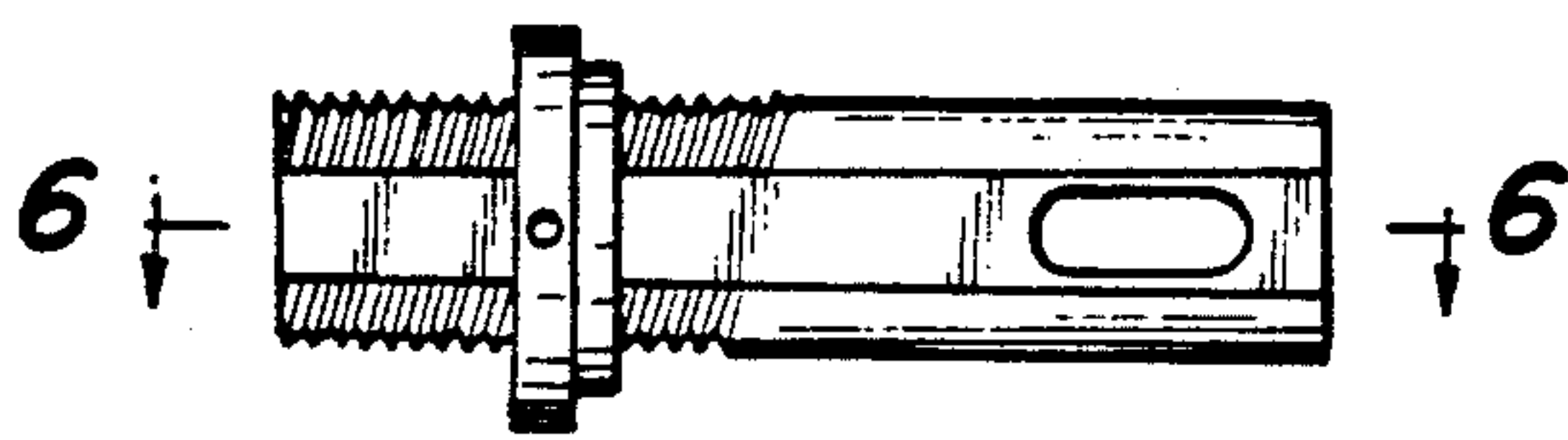


Fig-3

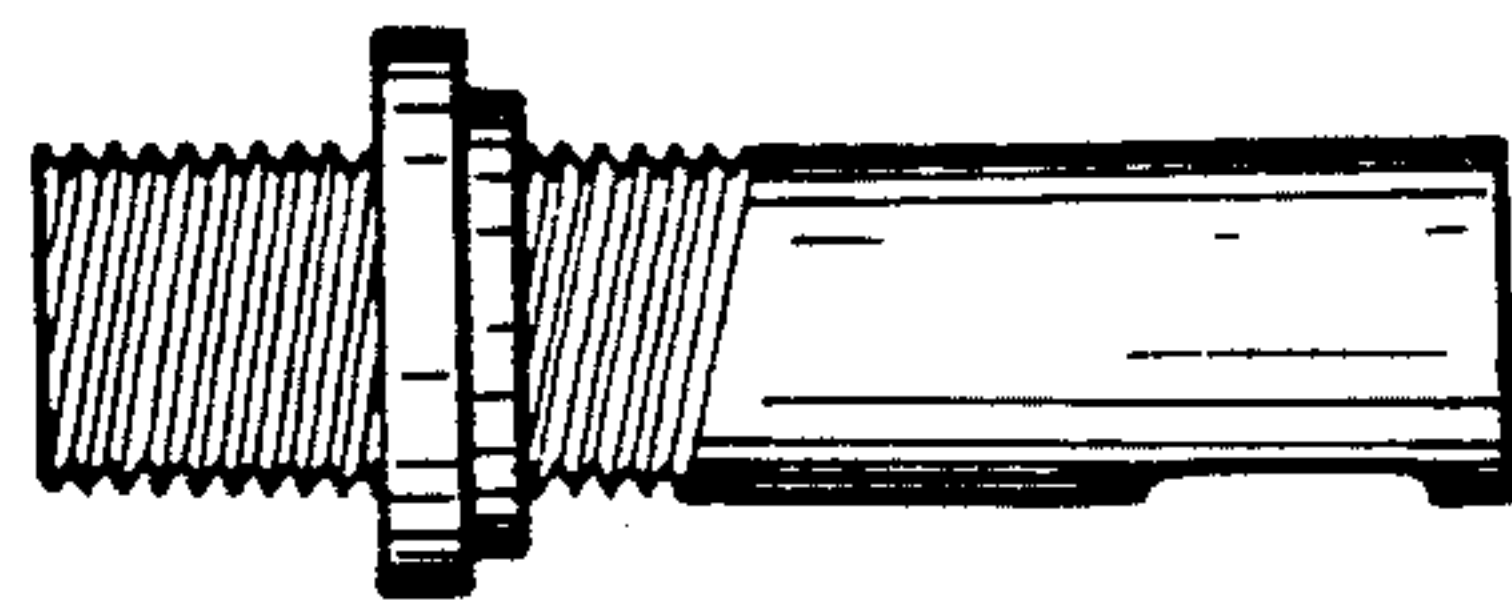


Fig-4

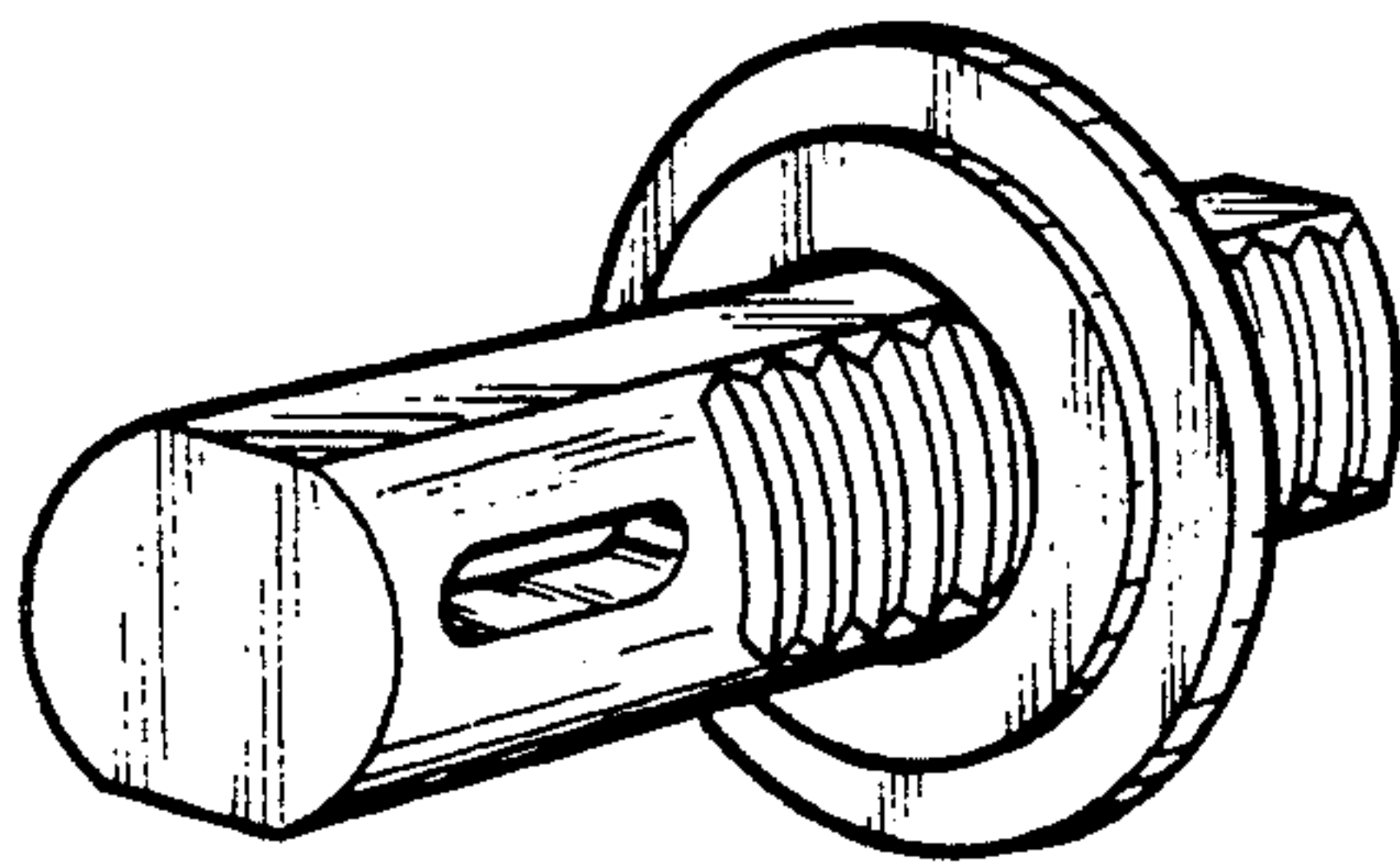


Fig-5

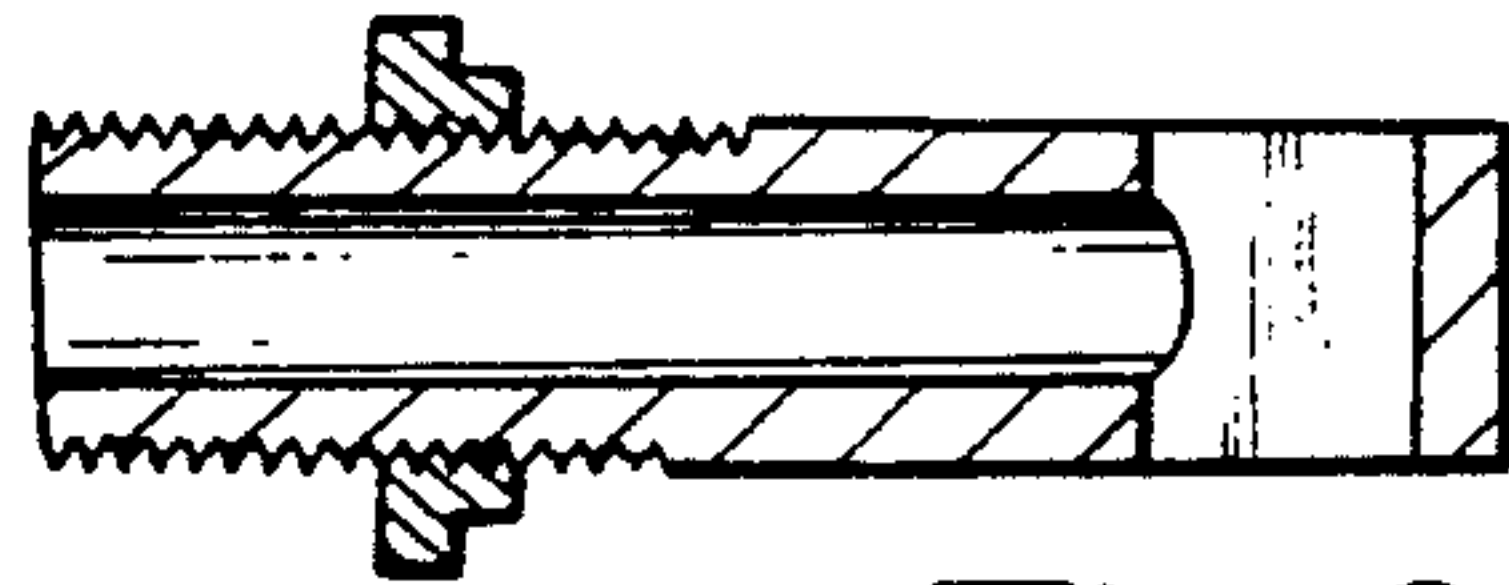


Fig-6

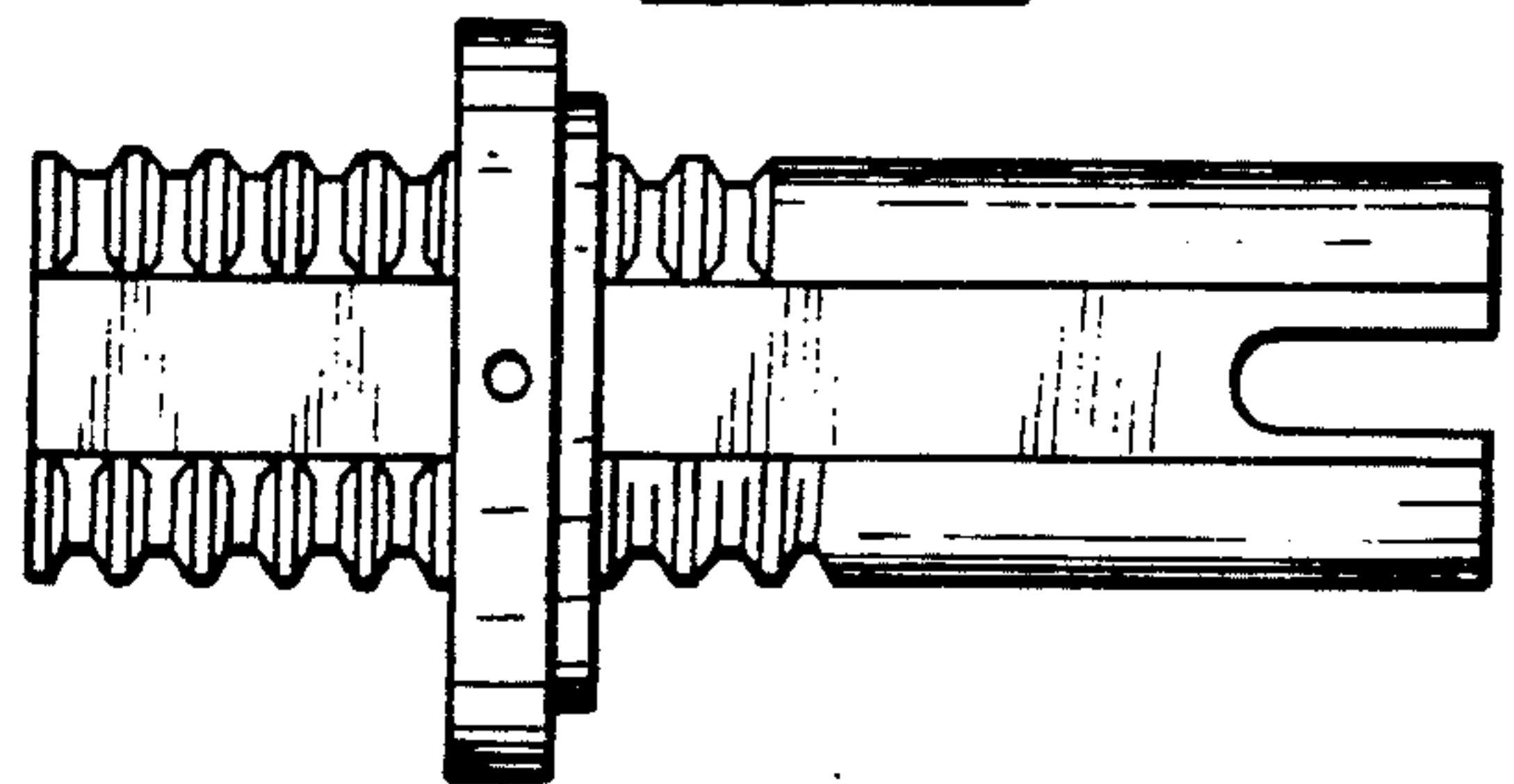


Fig-7

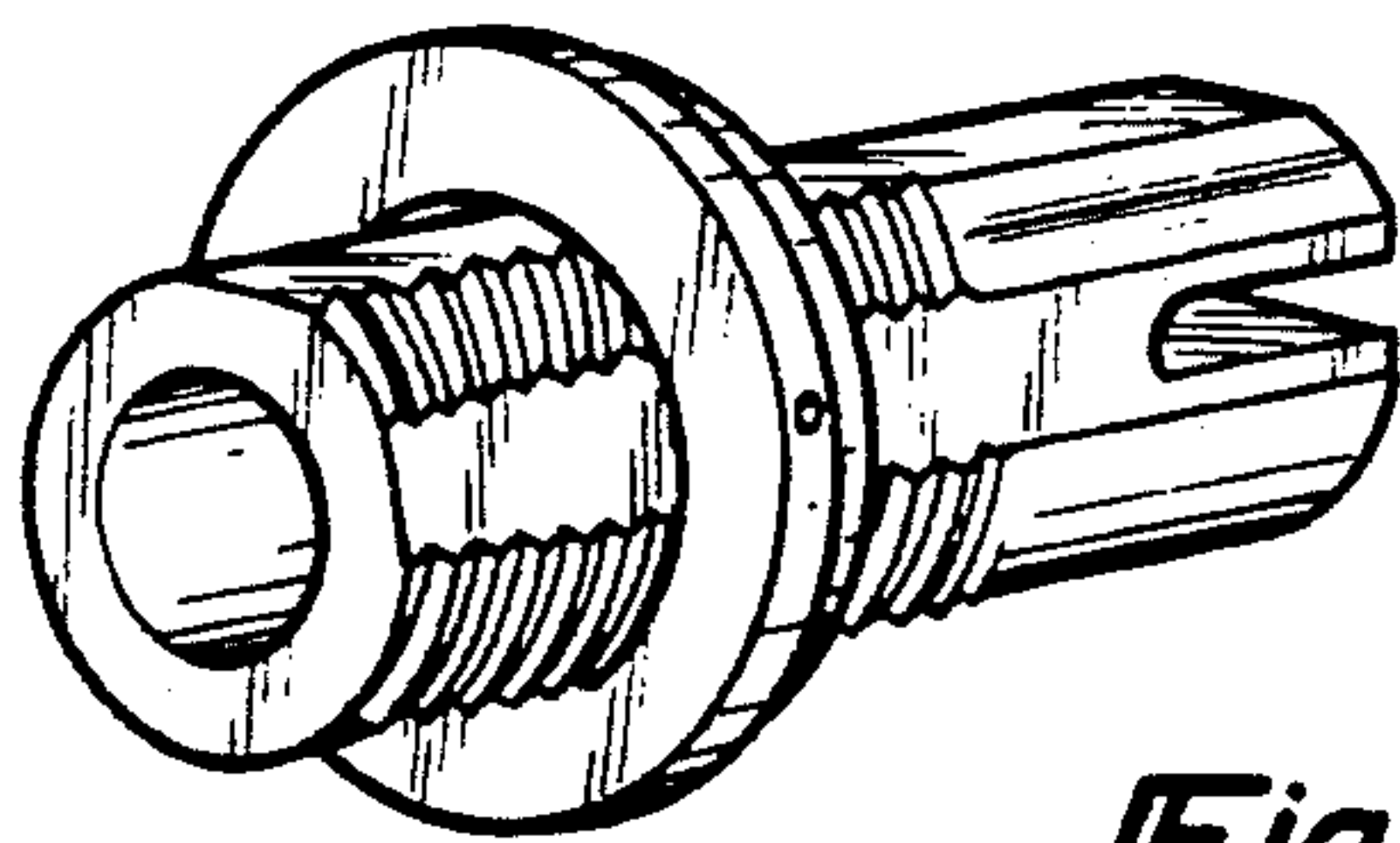


Fig-8

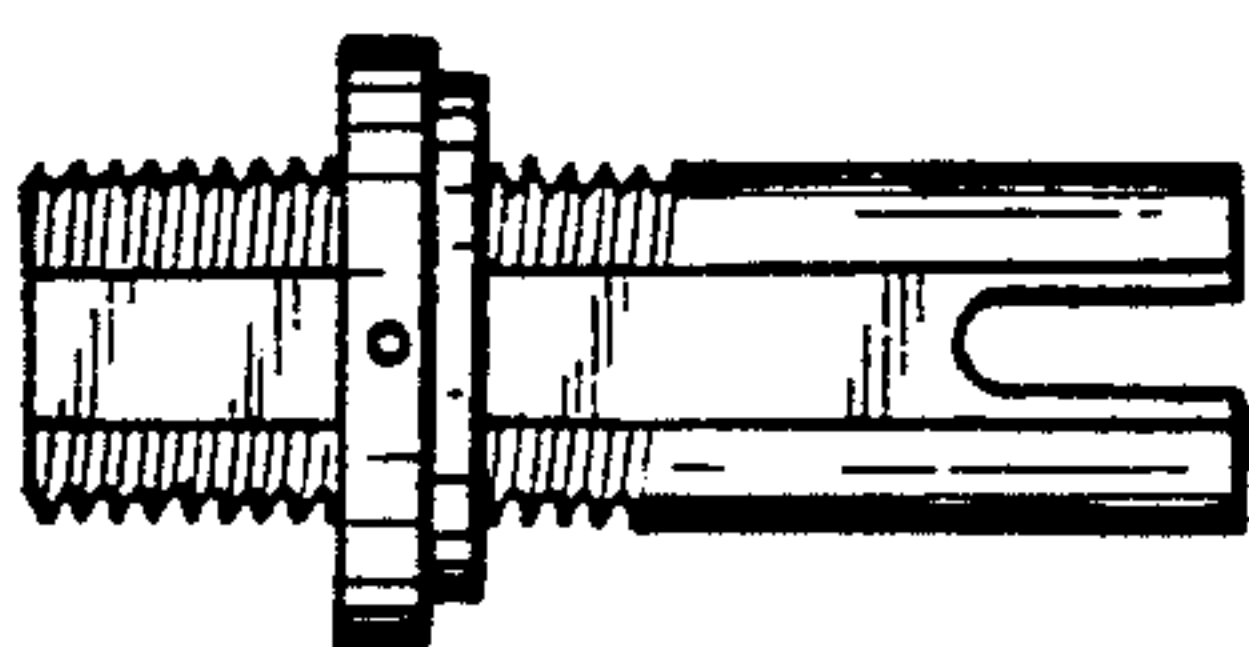


Fig-9

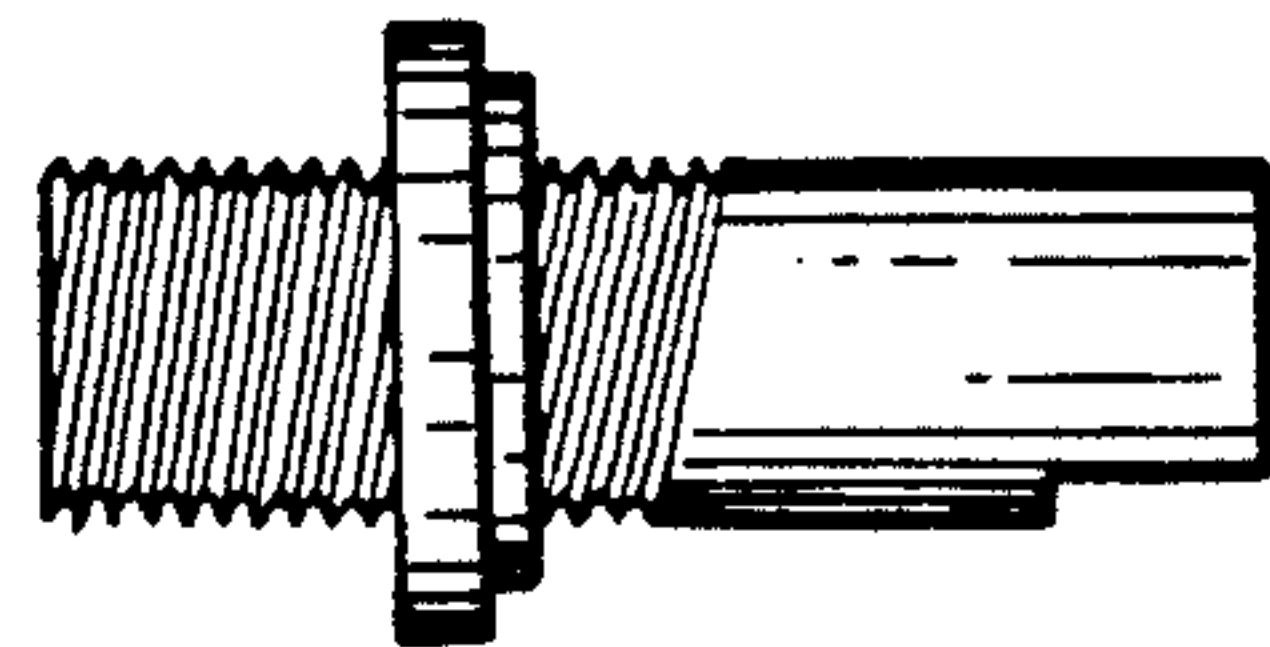


Fig-10

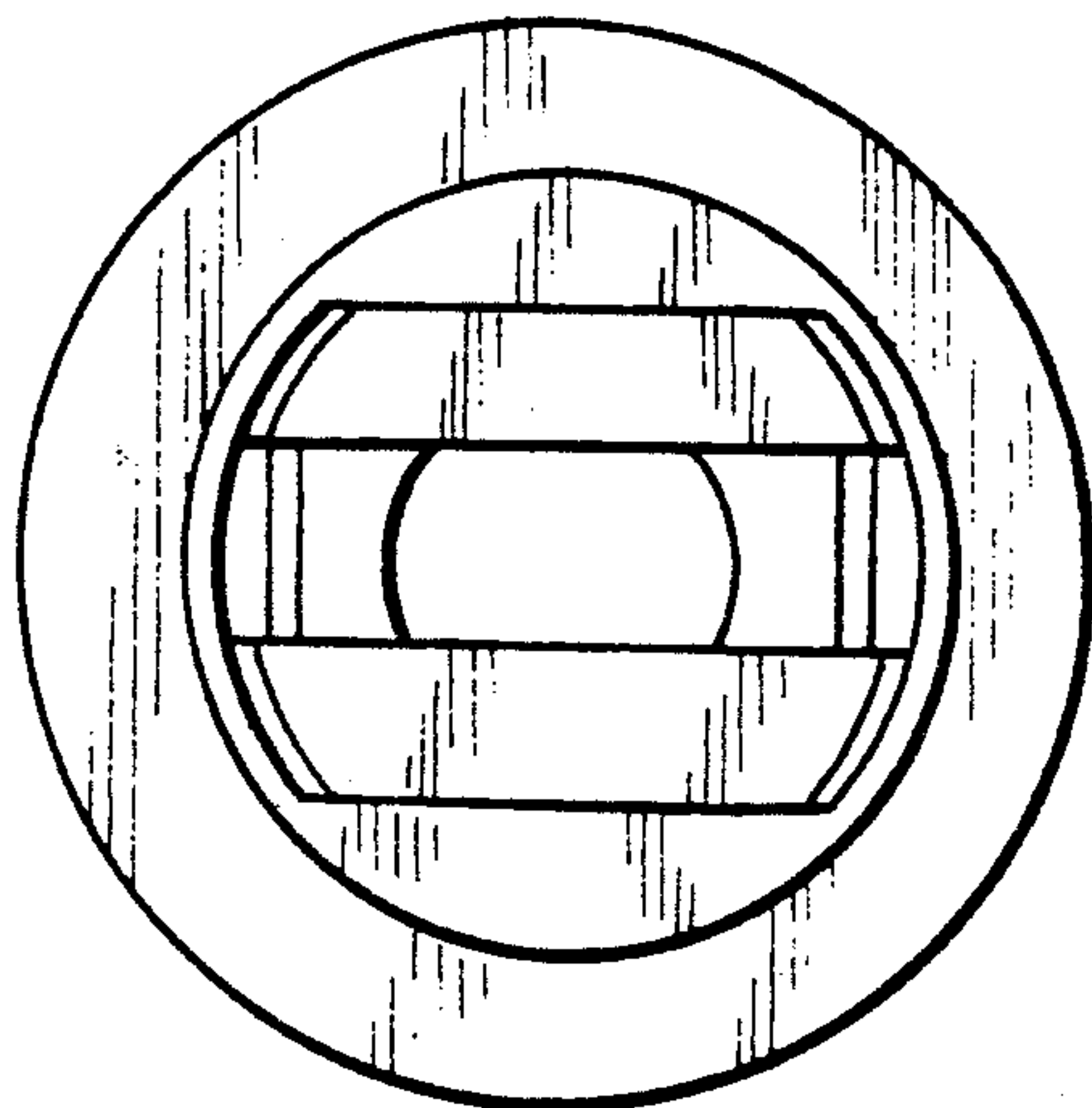


Fig-11