



US00D330205S

United States Patent [19]

Sakaoka

[11] Patent Number: **Des. 330,205**

[45] Date of Patent: **** Oct. 13, 1992**

[54] **BURR EXTRACTING INSTRUMENT**

4,265,575 5/1981 Erhardt et al. 409/8

[75] Inventor: **Kazuhiko Sakaoka, Kobe, Japan**

FOREIGN PATENT DOCUMENTS

[73] Assignee: **Hanshin Koki Kabushiki Kaisha, Kobe, Japan**

651464 2/1985 Japan .

[**] Term: **14 Years**

Primary Examiner—Donald P. Walsh
Assistant Examiner—Antoine D. Davis
Attorney, Agent, or Firm—Peter K. Kontler

[21] Appl. No.: **553,948**

[57] CLAIM

[22] Filed: **Jul. 16, 1990**

The ornamental design for a burr extracting instrument, as shown and described.

[52] U.S. Cl. **D15/124; D15/125**

[58] Field of Search **D15/124, 125, 126, 199; 409/8, 9, 163**

DESCRIPTION

[56] References Cited

U.S. PATENT DOCUMENTS

D. 276,915	12/1984	Wilbourn	D15/124
2,668,480	2/1954	Christman	409/9
2,976,772	3/1961	Straw	409/8
3,426,485	2/1969	Yamaoka	409/9 X

FIG. 1 is a perspective view of a burr extracting instrument showing my new design; FIG. 2 is a front elevational view; FIG. 3 is a top plan view; FIG. 4 is a rear elevational view; FIG. 5 is a bottom plan view; FIG. 6 is a right side elevational view; and, FIG. 7 is a left side elevational view thereof.

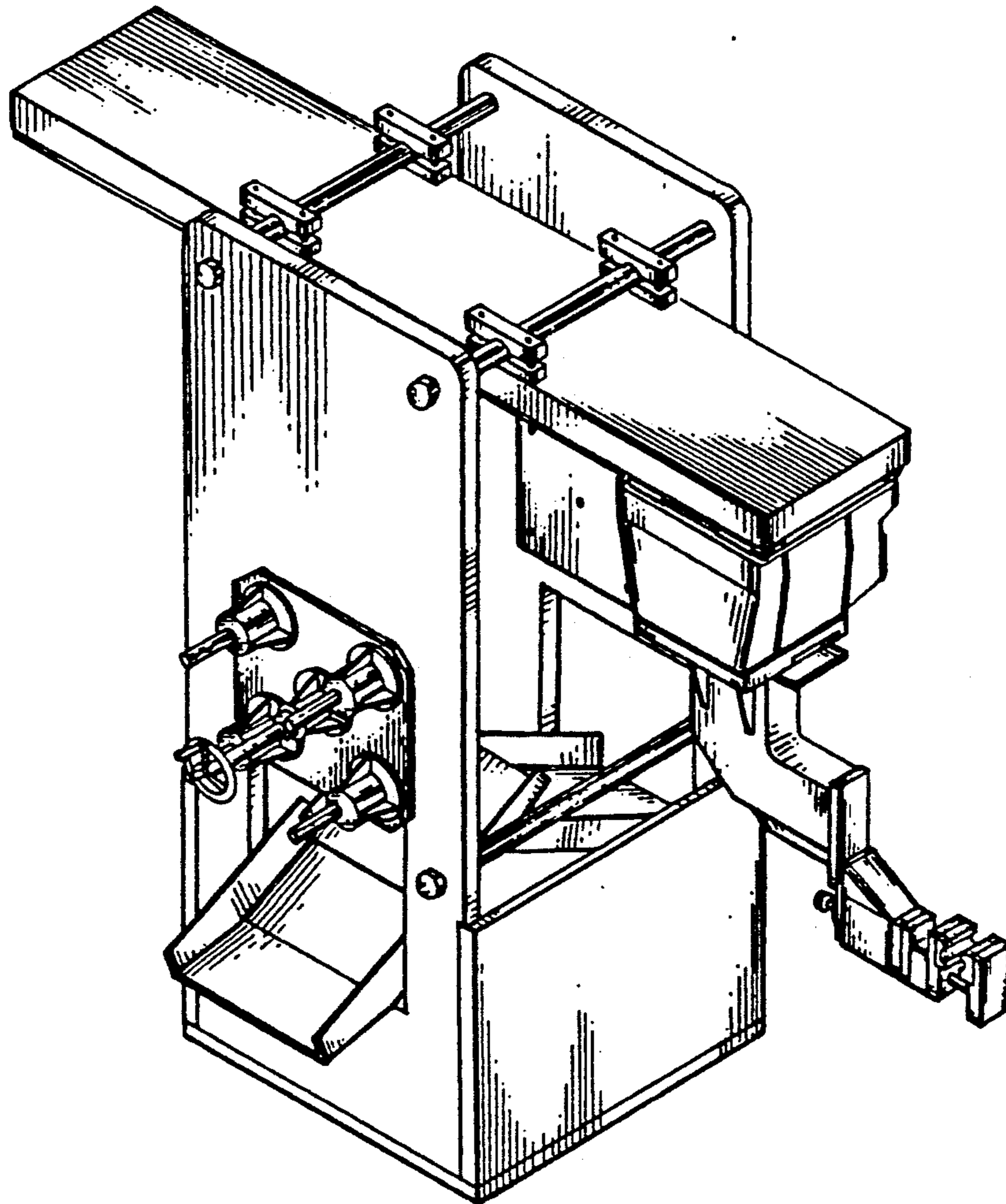


FIG. 1

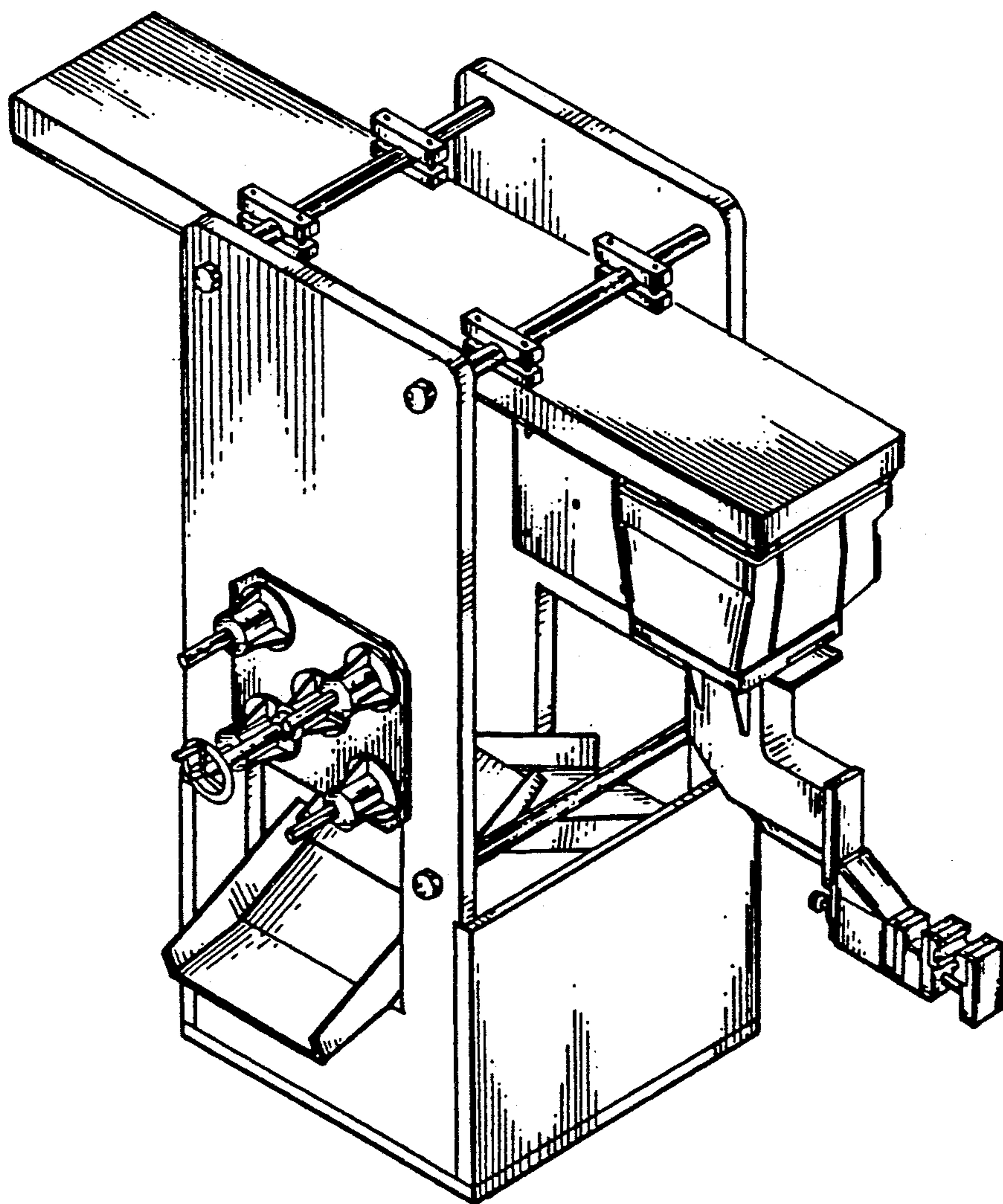


FIG. 2

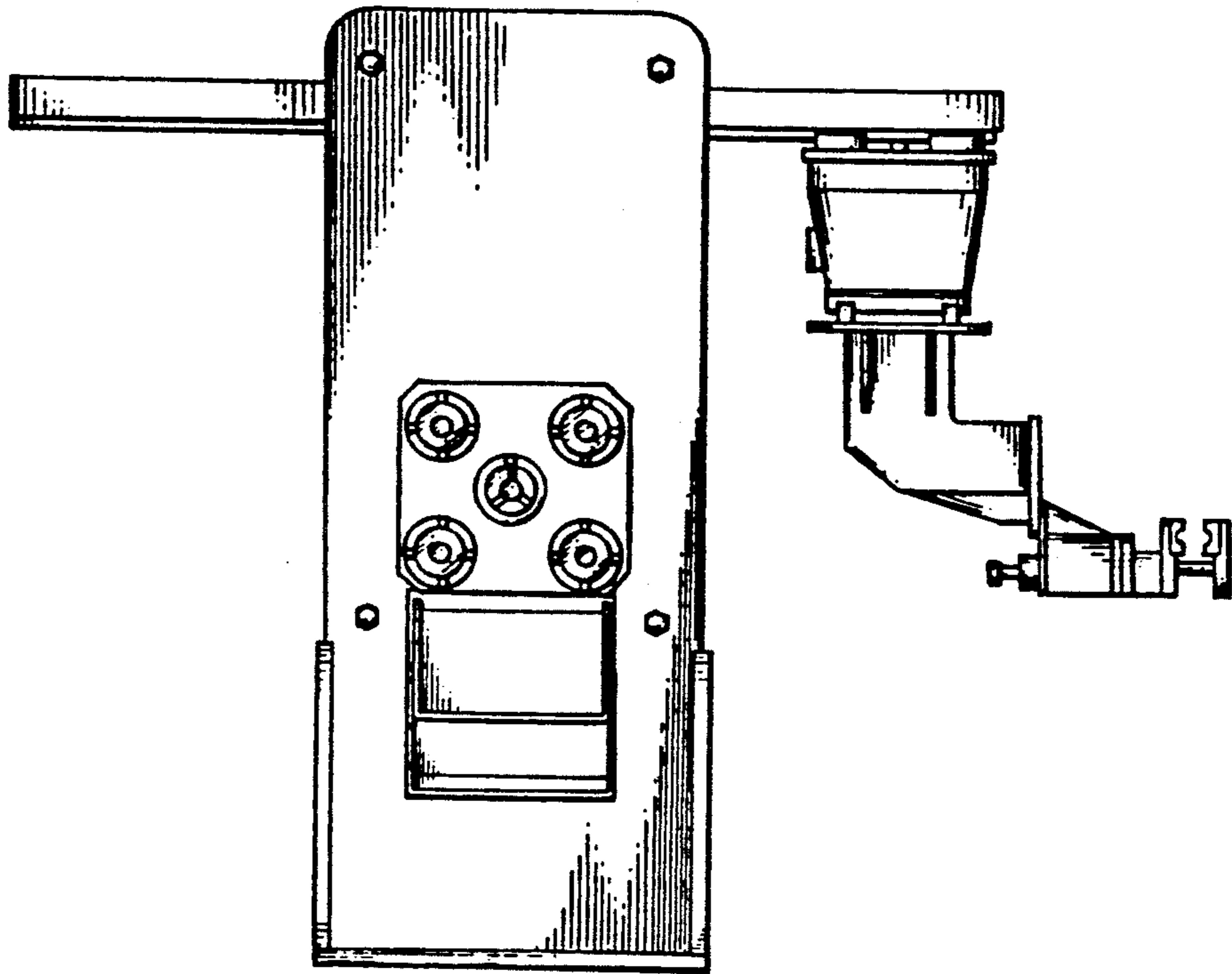


FIG. 3

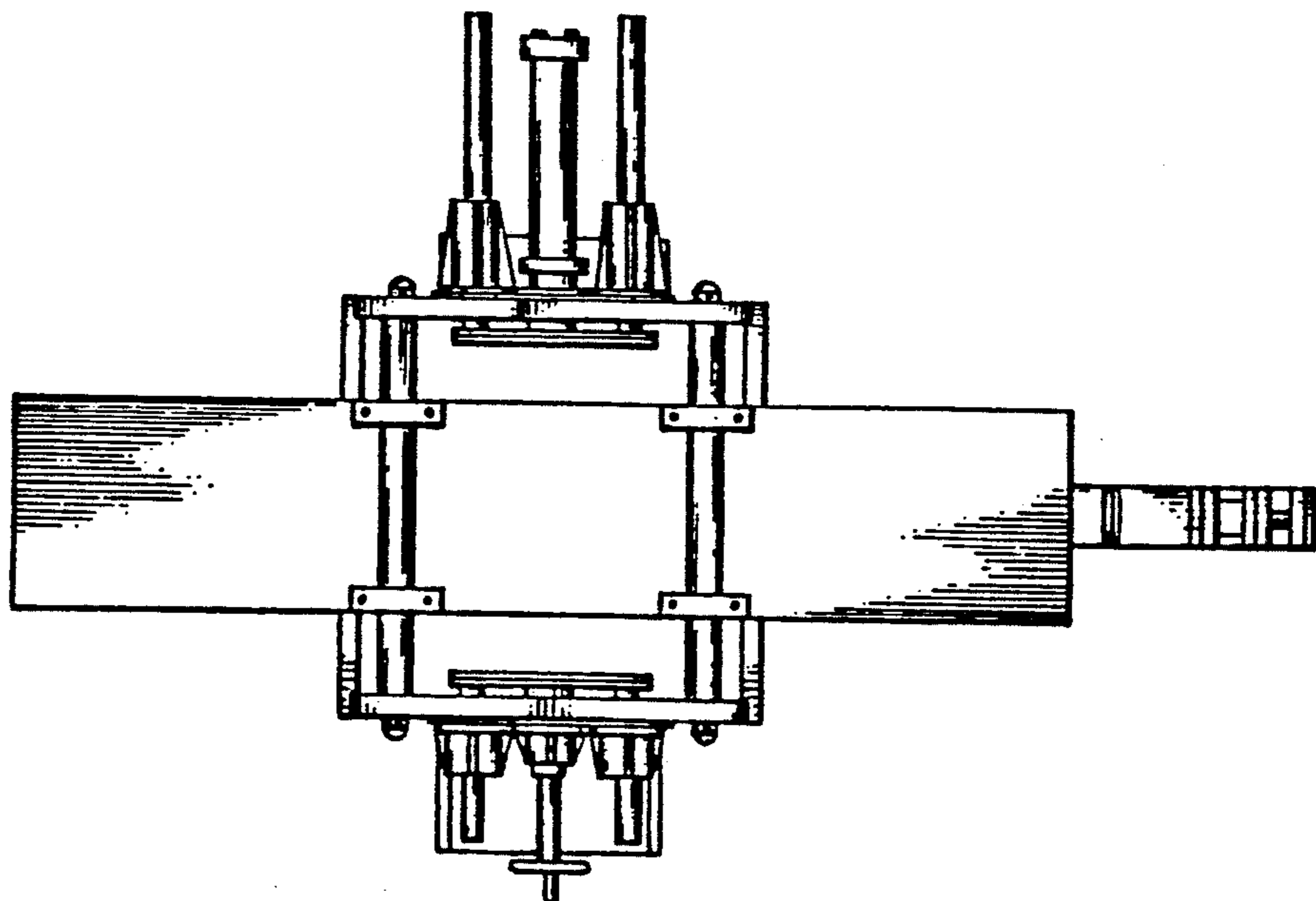


FIG. 4

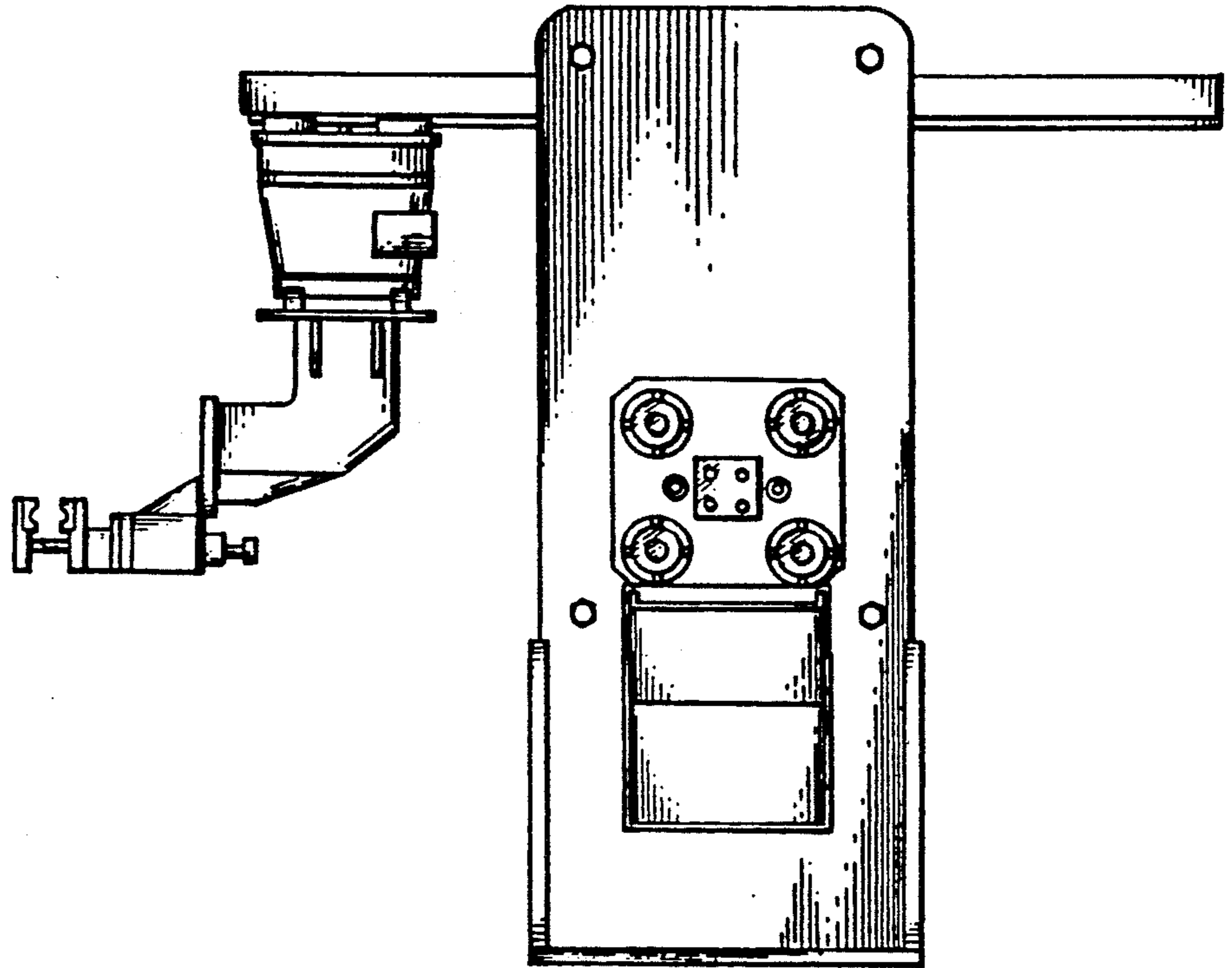


FIG. 5

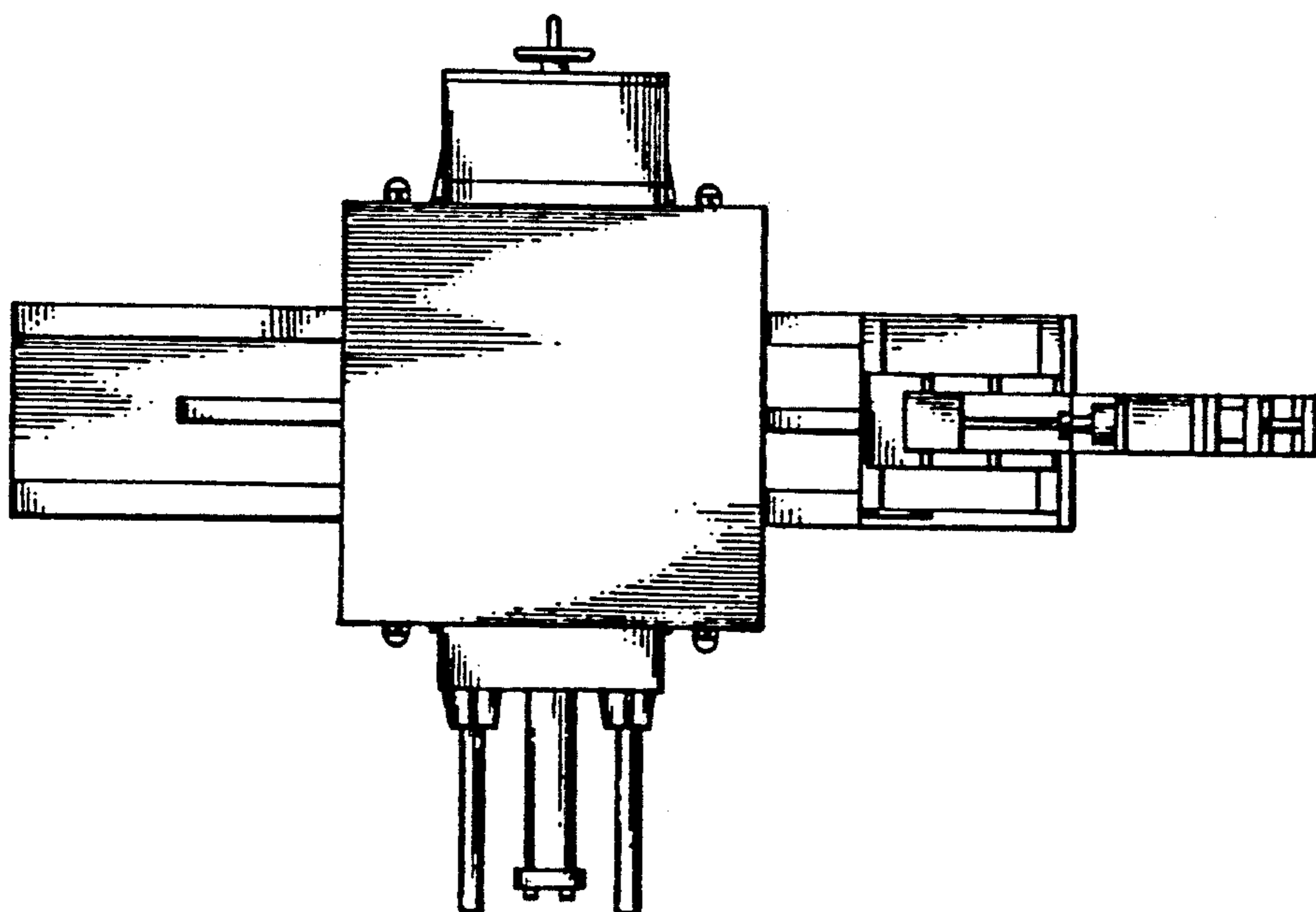


FIG. 7

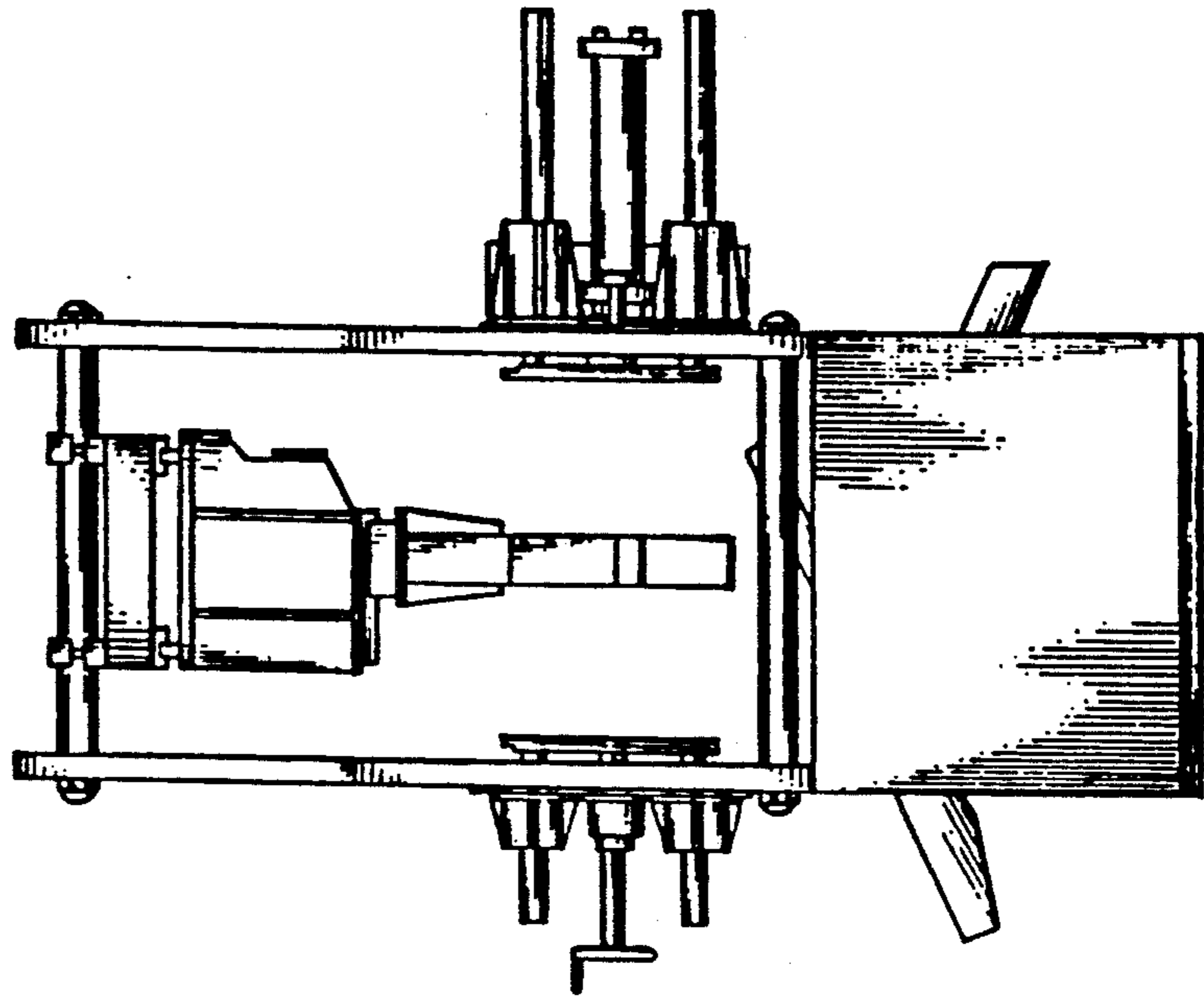


FIG. 6

