



US00D330198S

United States Patent [19]

[11] Patent Number: **Des. 330,198**

Lajara et al.

[45] Date of Patent: **** Oct. 13, 1992**

[54] **REMOVABLE PERIPHERAL MODULE FOR AN ELECTRONIC PERIPHERAL**

D. 308,052	5/1990	Darden et al.	D14/109
D. 310,354	9/1990	Moriconi et al.	D14/109
D. 311,737	10/1990	Westwood et al.	D14/114
D. 323,321	1/1992	Kline et al.	D14/109

[75] Inventors: **Robert Lajara; Vincent P. Hileman,** both of San Jose; **William K. Szaroletta,** Cupertino, all of Calif.

Primary Examiner—Wallace R. Burke
Assistant Examiner—Freda S. Nunn
Attorney, Agent, or Firm—Blakely Sokoloff Taylor & Zafman

[73] Assignee: **Sun Microsystems, Inc.,** Mountain View, Calif.

[**] Term: **14 Years**

[57] **CLAIM**

[21] Appl. No.: **595,022**

The ornamental design for a removable module for an electronic peripheral, as shown and described.

[22] Filed: **Oct. 10, 1990**

DESCRIPTION

[52] U.S. Cl. **D14/114; D14/107**

[58] Field of Search **D14/100, 107, 114; D13/110, 123, 147; 200/5 R; 361/380, 390-395; 379/67, 93, 100, 102**

FIG. 1 is an enlarged top front and right side perspective view of a removable module for an electronic peripheral showing our new design; FIG. 2 is a front elevational view thereof; FIG. 3 is a top plan view thereof; FIG. 4 is a right side elevational view thereof the left side being identical in appearance; FIG. 5 is a bottom plan view thereof; and, FIG. 6 is a rear elevational view thereof. The circular pattern is partially shown in the views for ease of illustration and it being understood to continue across the entire surface where indicated.

[56] **References Cited**

U.S. PATENT DOCUMENTS

D. 257,345	10/1980	Levy	D14/114 X
D. 268,931	5/1983	Ellis et al.	D14/107
D. 282,260	1/1986	Carlson et al.	D14/100 X
D. 286,053	10/1986	McDaniel et al.	D14/114
D. 303,524	9/1989	Siegner et al.	D14/114

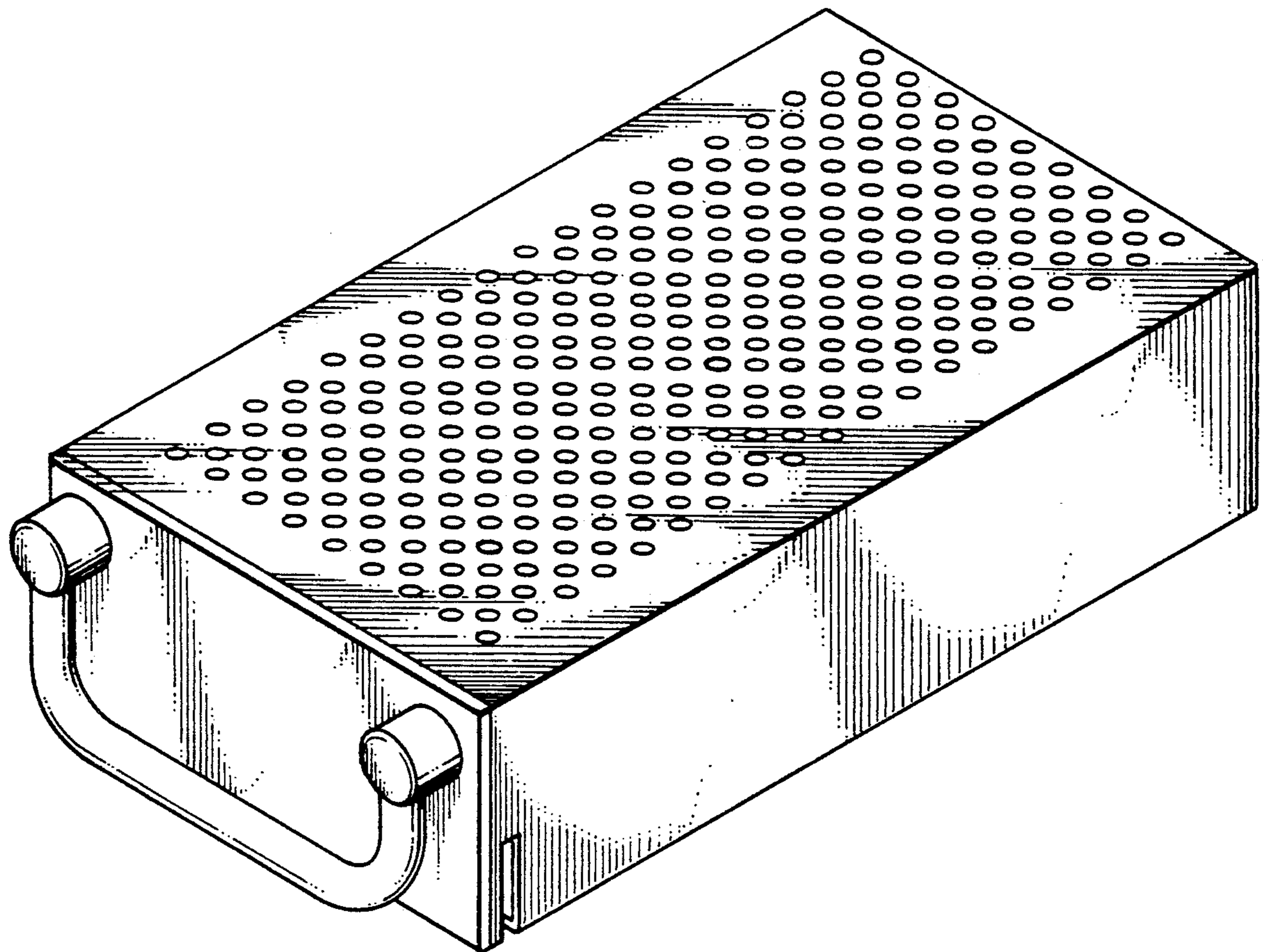


FIG. 1

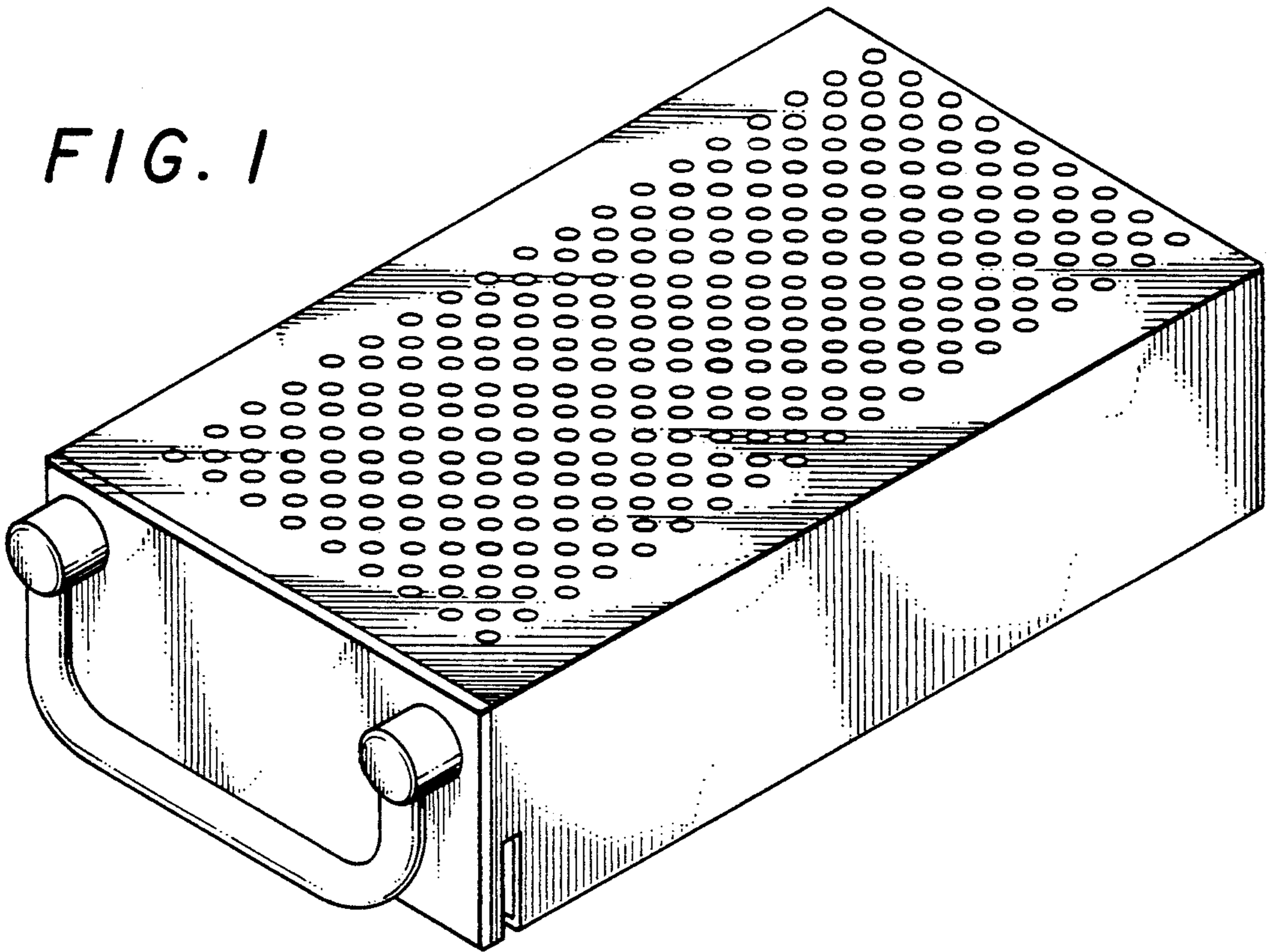


FIG. 2

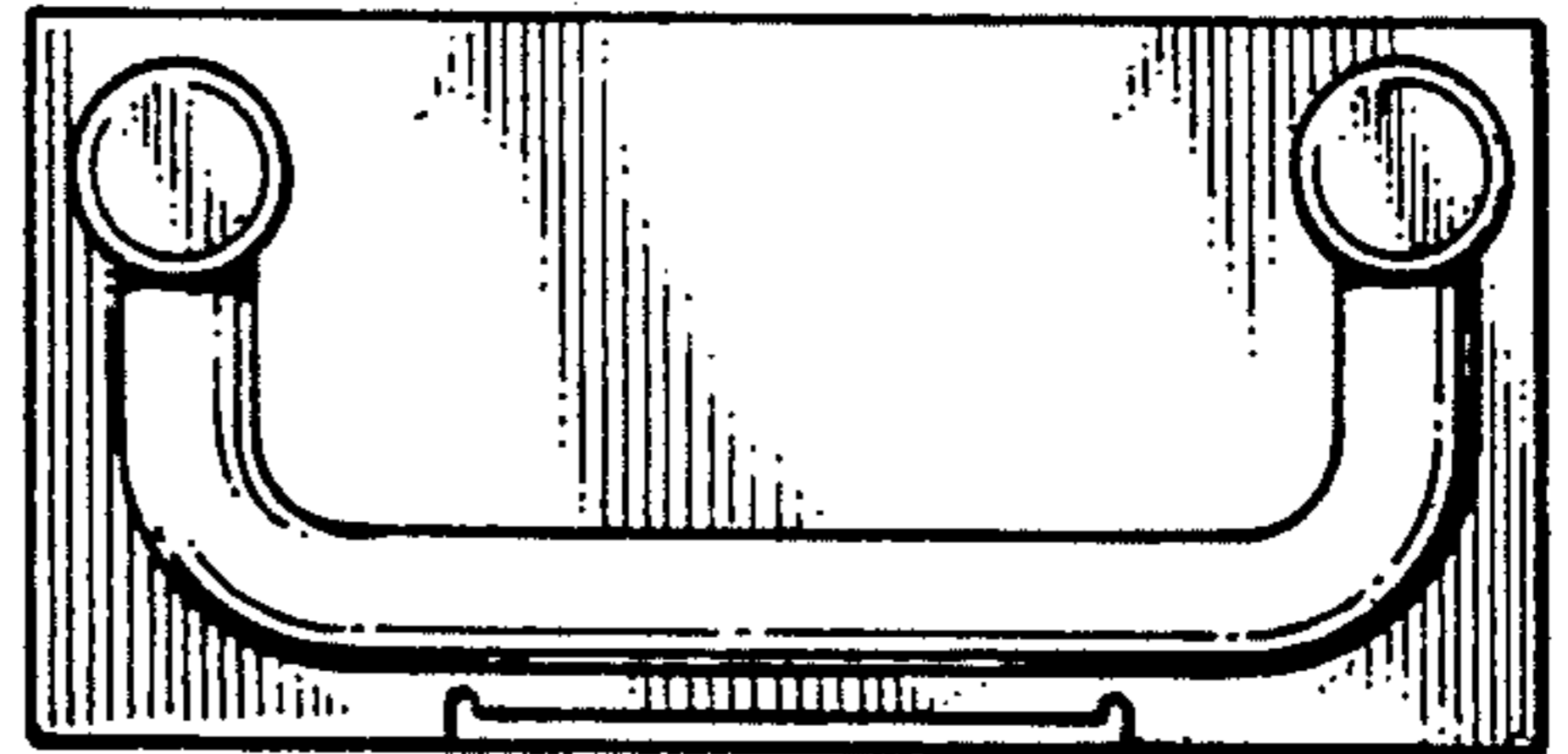
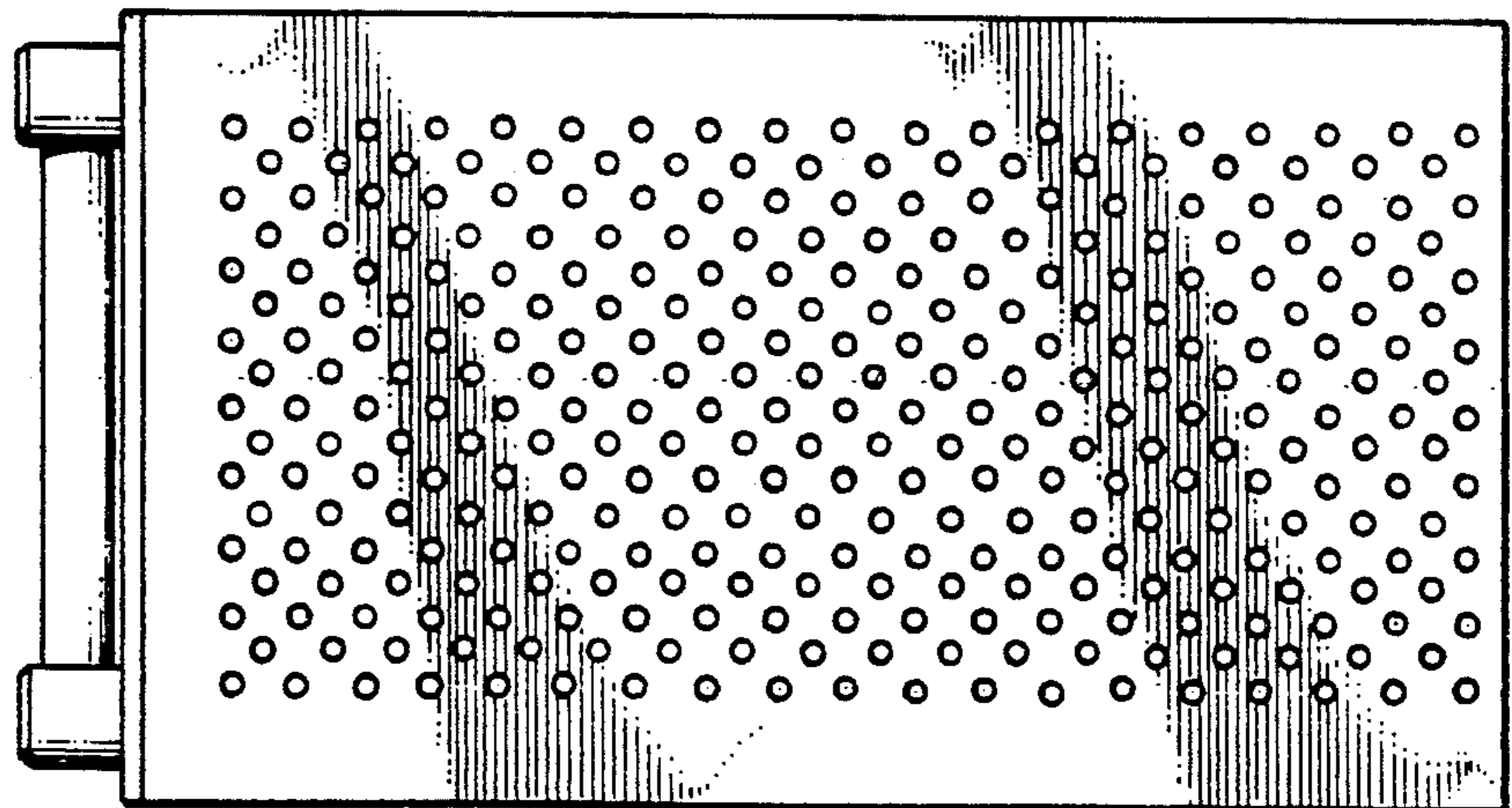


FIG. 3



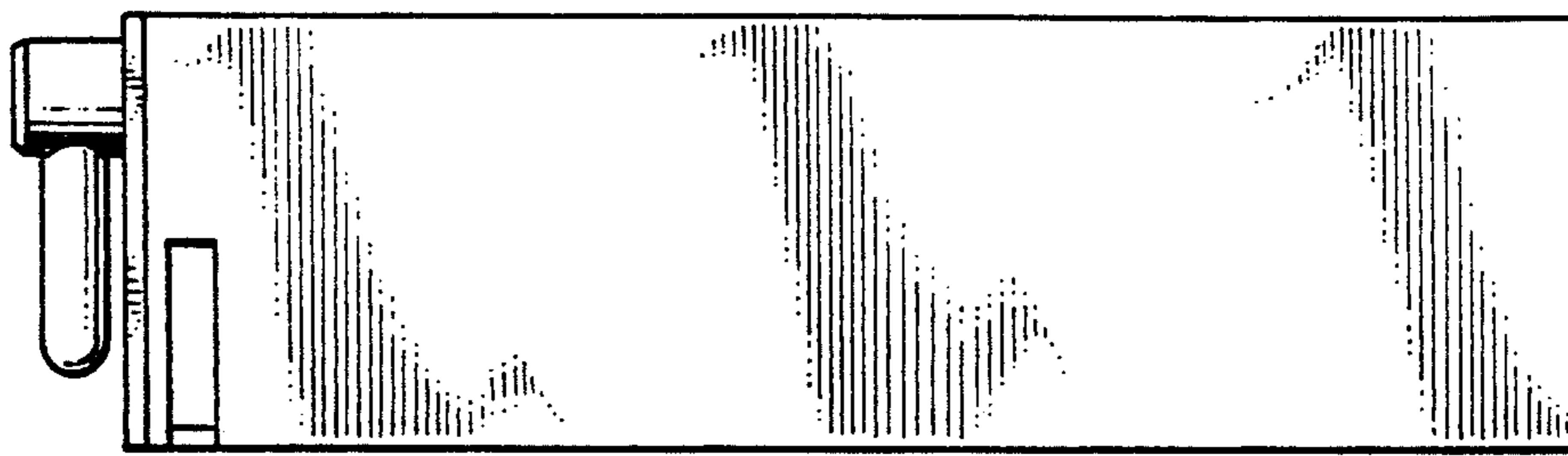


FIG. 4

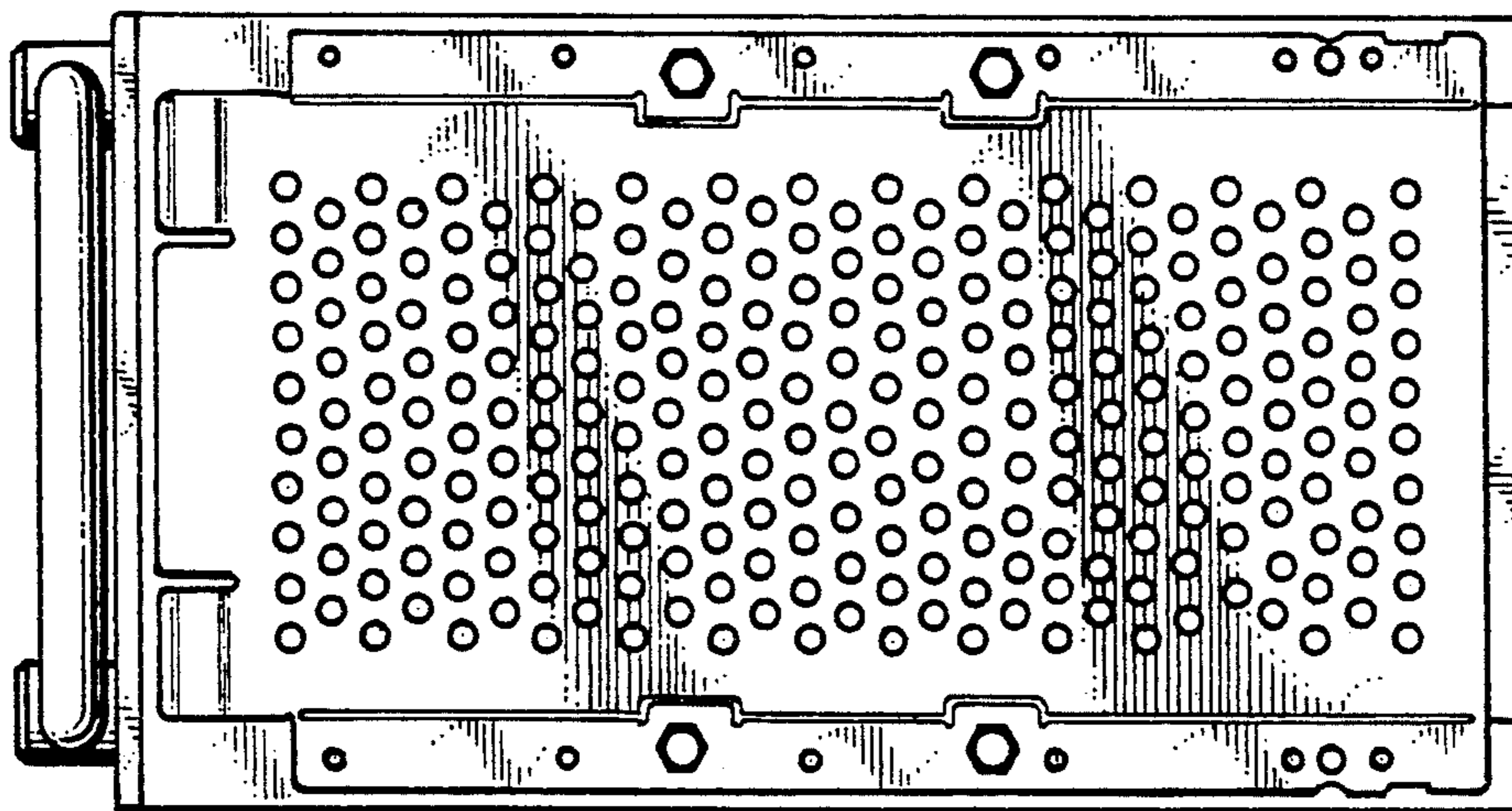


FIG. 5

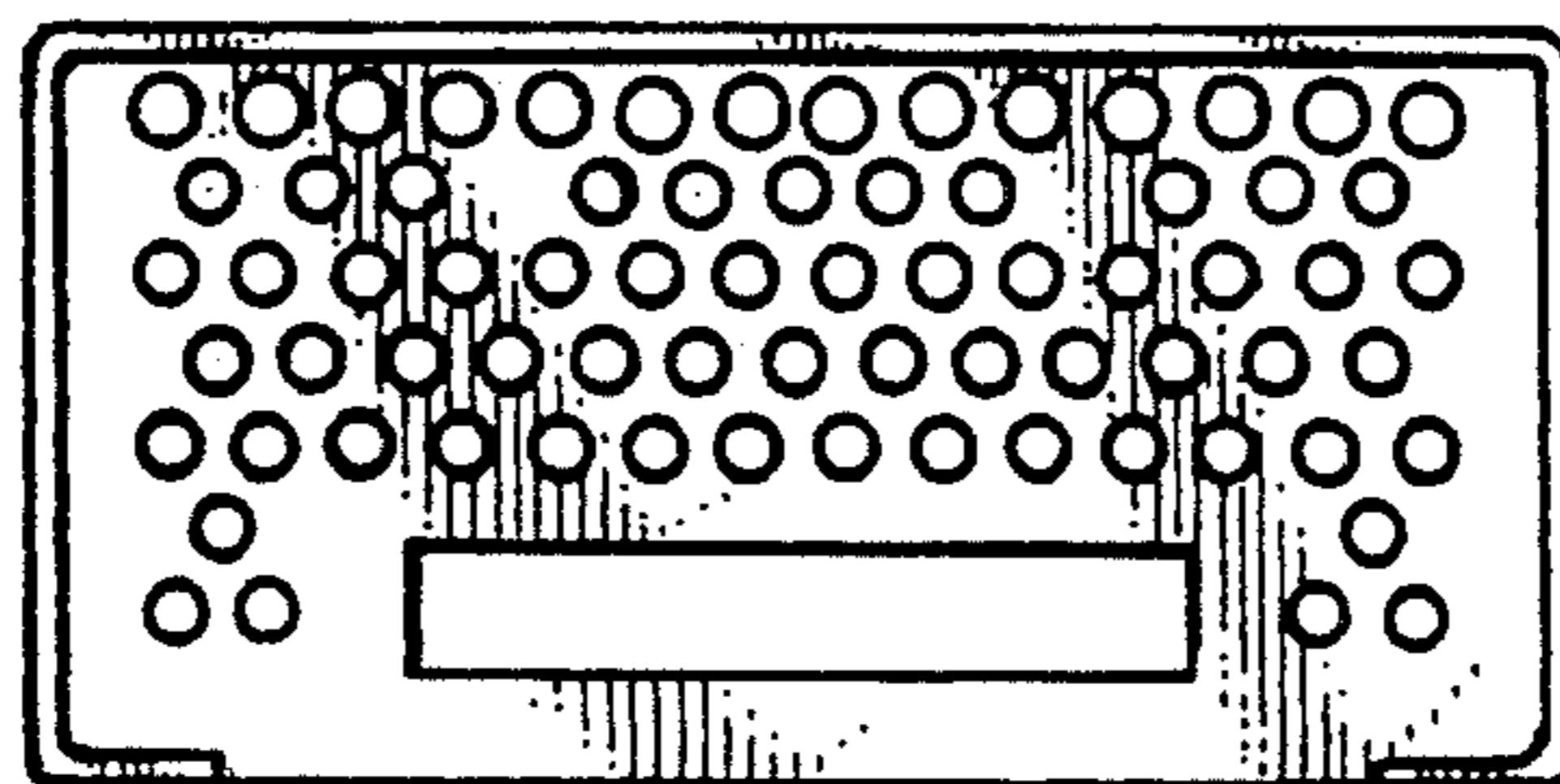


FIG. 6

UNITED STATES PATENT AND TRADEMARK OFFICE
CERTIFICATE OF CORRECTION

PATENT NO. : Des. 330,198

DATED : October 13, 1992

INVENTOR(S) : Robert Lajara, et al

It is certified that error appears in the above-identified patent and that said Letters Patent is hereby corrected as shown below:

On the title page, Item [54]: Title should read;

--Removable Module For an Electronic Peripheral--.

Signed and Sealed this
Fifteenth Day of February, 1994

Attest:



BRUCE LEHMAN

Attesting Officer

Commissioner of Patents and Trademarks