



US00D330186S

United States Patent [19]

[11] Patent Number: **Des. 330,186**

May et al.

[45] Date of Patent: **** Oct. 13, 1992**

- [54] **WHEELCHAIR WHEEL RIM**
- [75] Inventors: **Joseph R. May, Chatham; Walter H. W. Marsh, Scotch Plains, both of N.J.**
- [73] Assignee: **Allied-Signal Inc., Morris Township, Morris County, N.J.**
- [**] Term: **14 Years**
- [21] Appl. No.: **718,161**
- [22] Filed: **Jun. 19, 1991**
- [52] U.S. Cl. **D12/205; D12/133**
- [58] Field of Search **D12/133, 211, 128, 131, D12/205; 301/65, 105 B; 280/304.1, 250.1**

- D. 249,787 10/1978 Tanaka D12/205
- D. 304,815 11/1989 Jones D12/133
- 1,544,242 6/1925 Lavery 301/65
- 4,280,736 7/1981 Raudman 301/65

Primary Examiner—Kay H. Chin
Attorney, Agent, or Firm—Roger H. Criss; Michael U. Lee

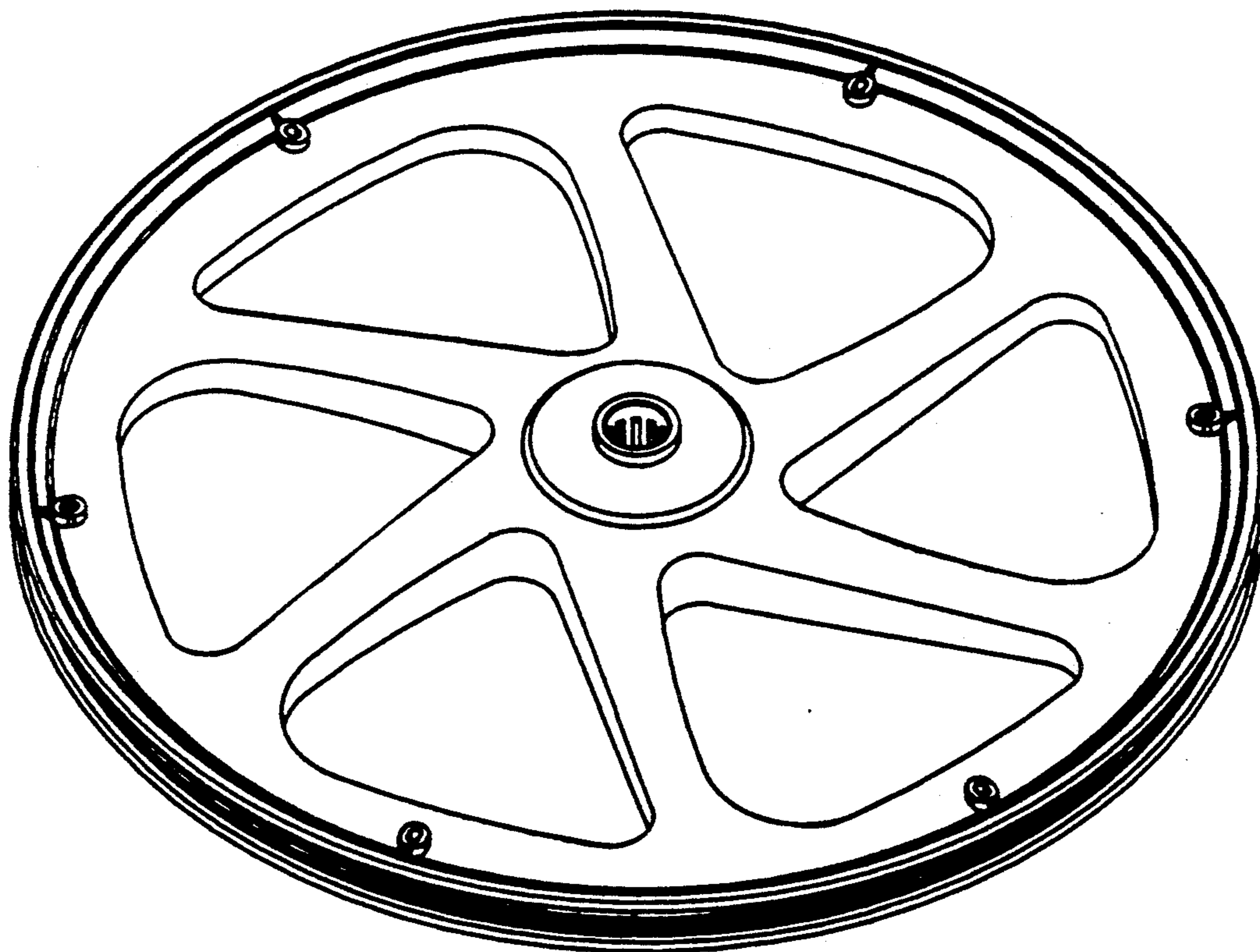
[57] CLAIM

The ornamental design for a wheelchair wheel rim, as shown and described.

DESCRIPTION

FIG. 1 is a front elevational view of a wheelchair wheel-rim showing our new design; FIG. 2 is a side elevational view thereof, the opposite side elevational view being a mirror image of that shown; FIG. 3 is a top perspective view thereof; and, FIG. 4 is a bottom perspective view thereof.

- [56] **References Cited**
- U.S. PATENT DOCUMENTS**
- D. 243,169 1/1977 Suzuki et al. D12/211



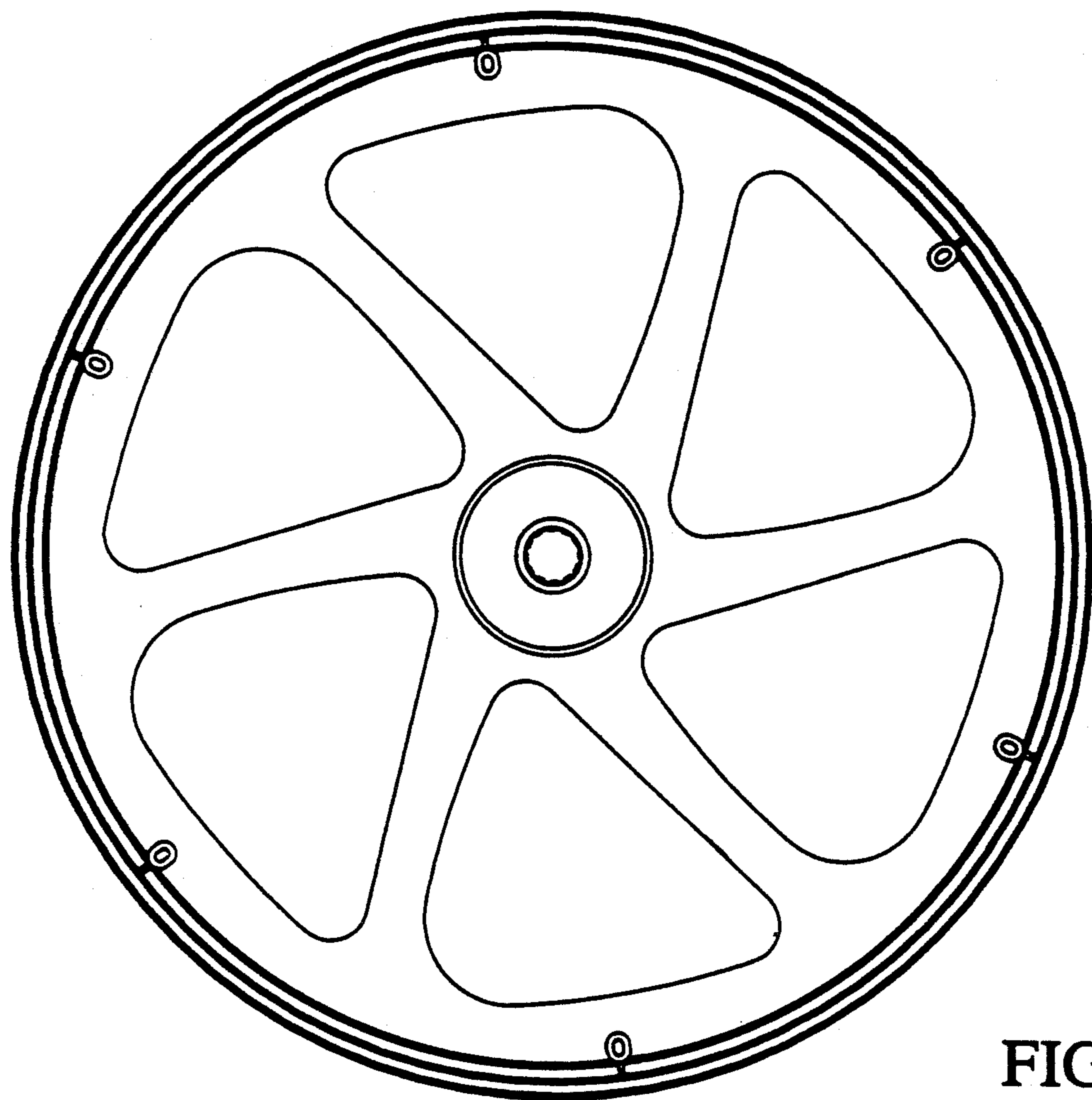


FIG. 1



FIG. 2

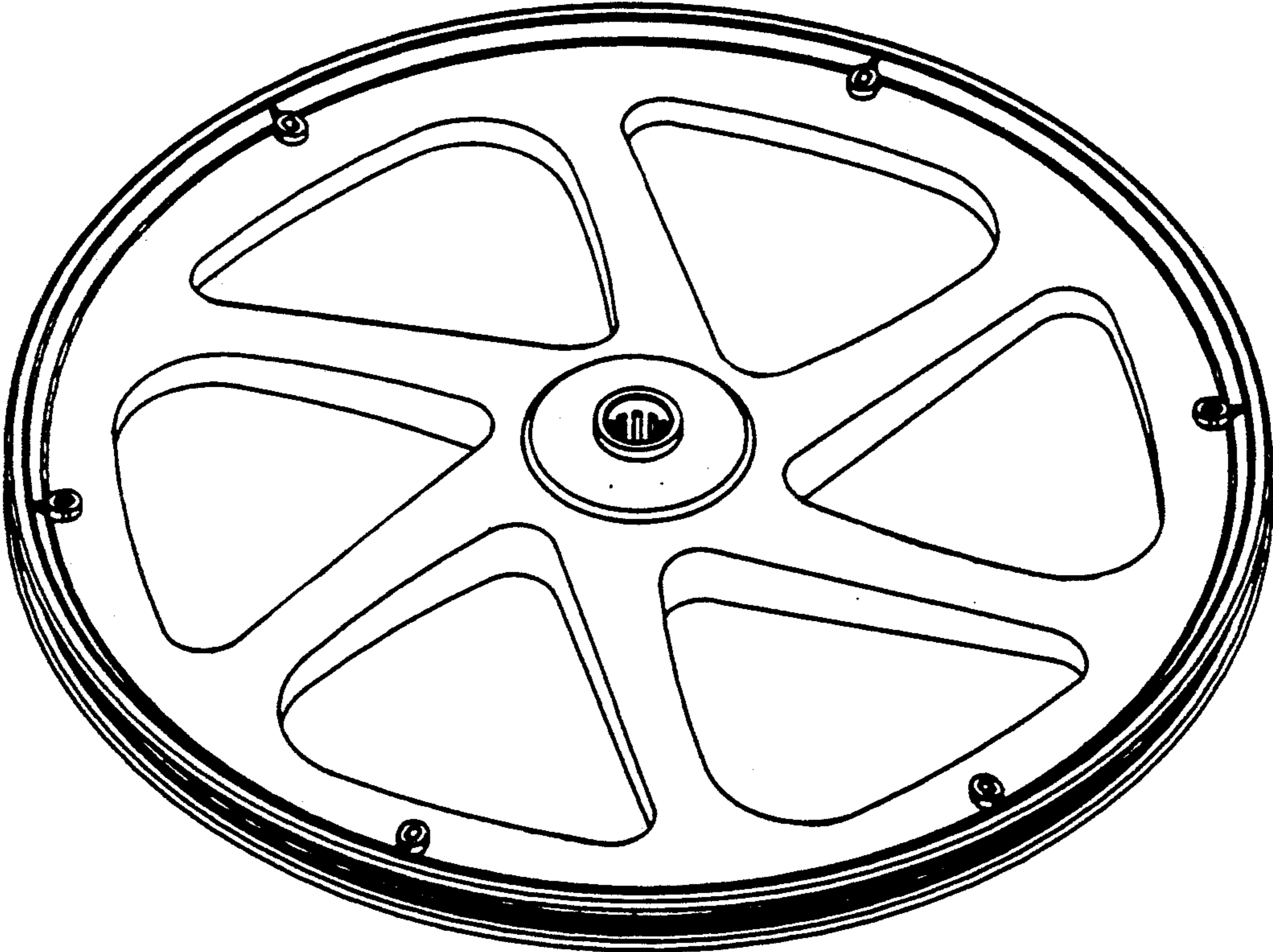


FIG. 3

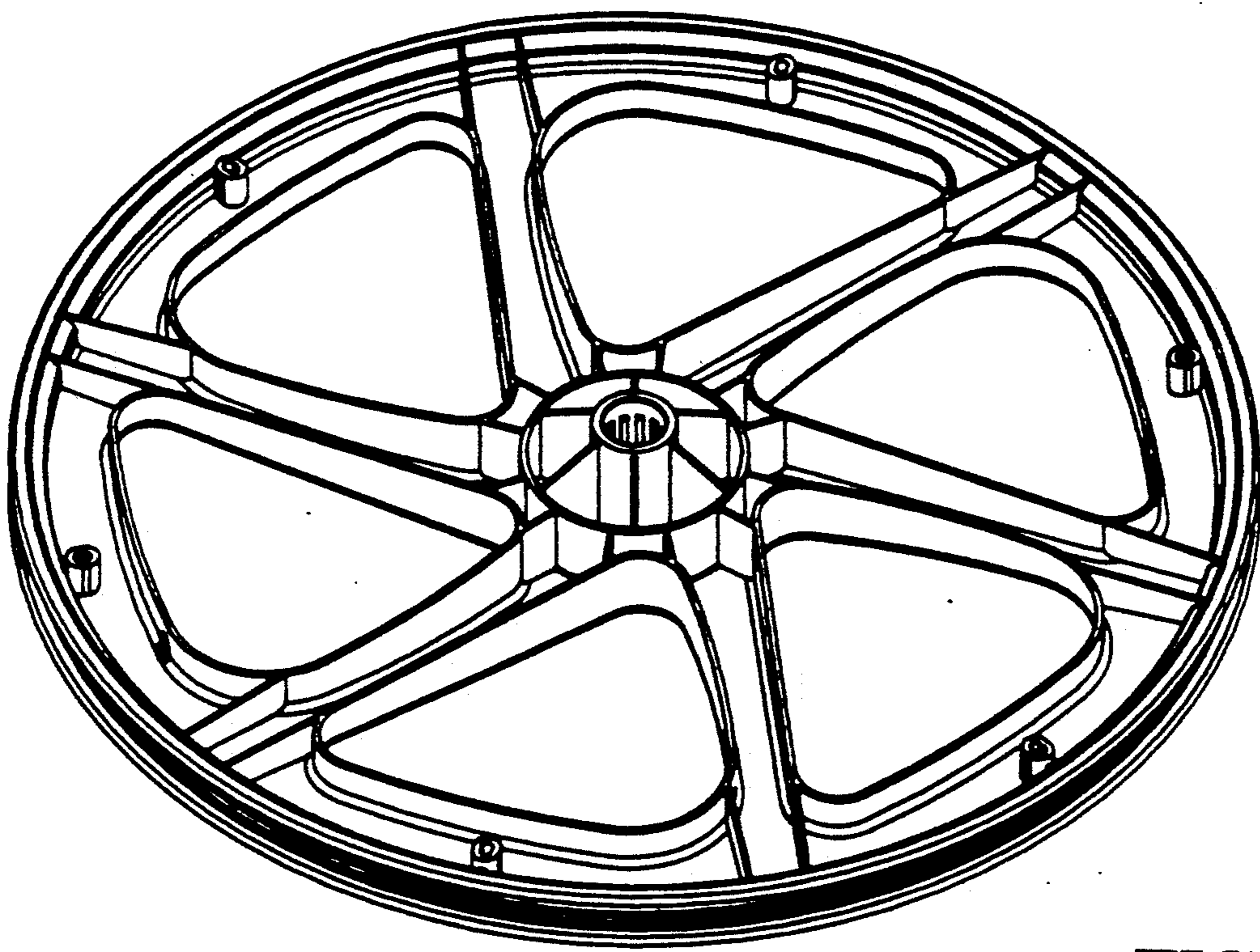


FIG. 4