



US00D330182S

# United States Patent [19]

[11] Patent Number: **Des. 330,182**

Jones

[45] Date of Patent: **\*\* Oct. 13, 1992**

[54] **TRUCK MOUNTABLE CAMPER REAR WALL**

### FOREIGN PATENT DOCUMENTS

2218384 11/1989 United Kingdom ..... 296/26

[76] Inventor: **Bruce W. Jones, N. 7422 Sutherlin, Spokane, Wash. 99208**

*Primary Examiner*—James M. Gandy  
*Attorney, Agent, or Firm*—Wells, St. John, Roberts, Gregory & Matkin

[\*\*] Term: **14 Years**

### [57] CLAIM

[21] Appl. No.: **655,097**

The ornamental design for a truck mountable camper rear wall, as shown and described.

[22] Filed: **Feb. 14, 1991**

### DESCRIPTION

[52] U.S. Cl. .... **D12/156**

[58] Field of Search ..... **D12/156; 296/164, 26, 296/197**

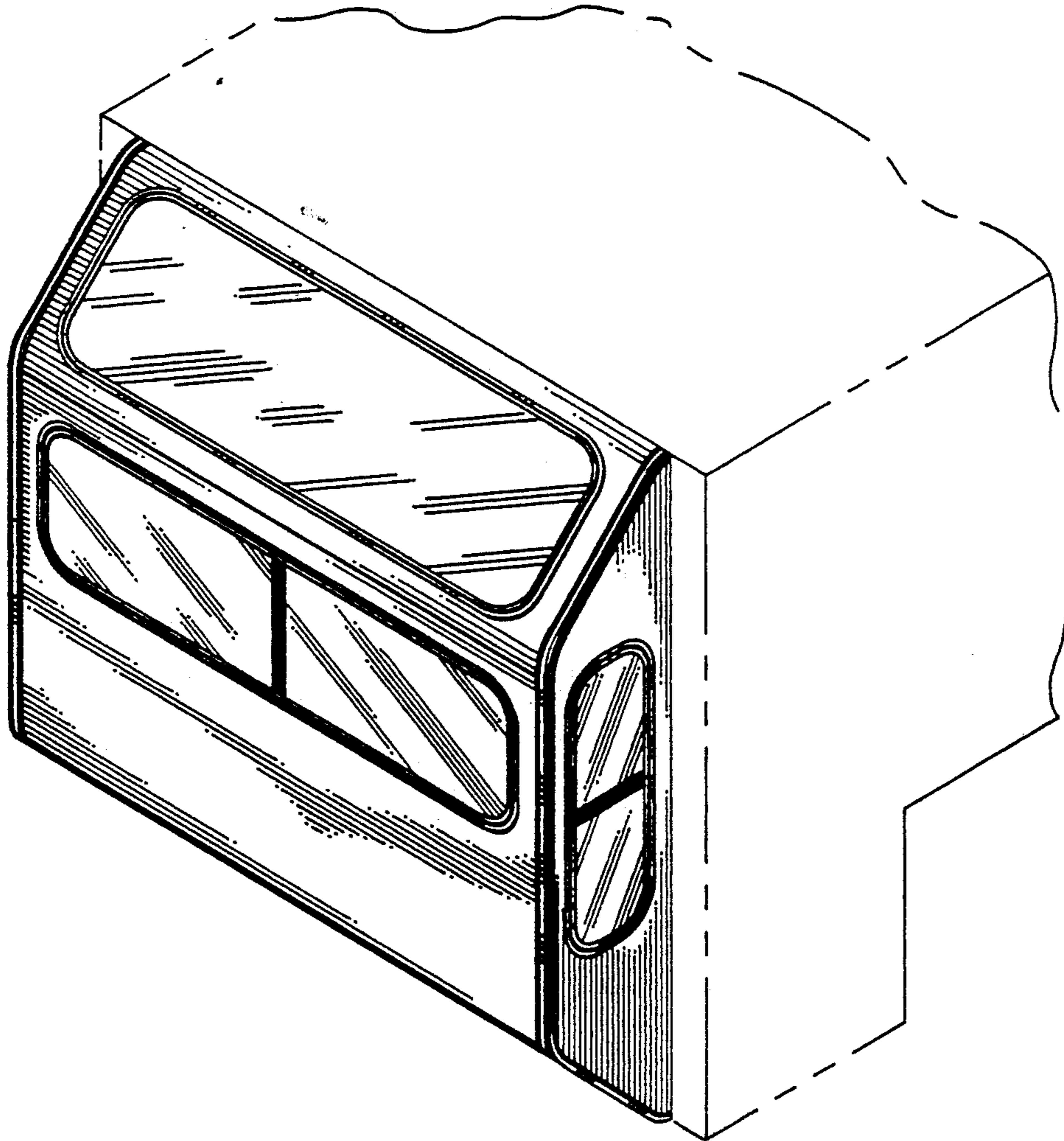
FIG. 1 is a perspective view of a truck mountable camper rear wall showing my new design; FIG. 2 is a right side elevation view thereof; FIG. 3 is a left side elevation view thereof; FIG. 4 is a rear elevation view thereof; FIG. 5 is a top plan view thereof; and, FIG. 6 is a bottom plan view thereof.

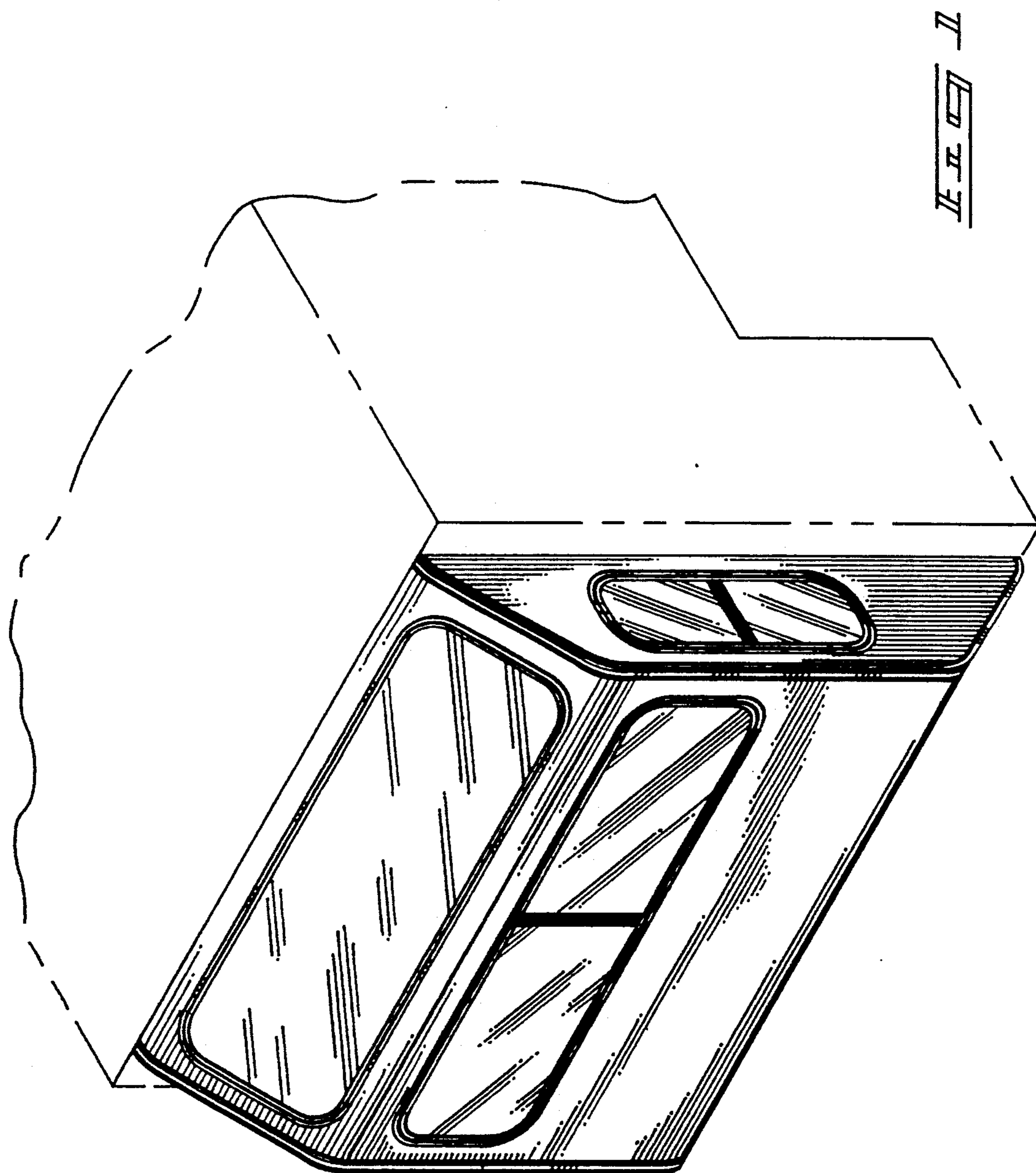
### [56] References Cited

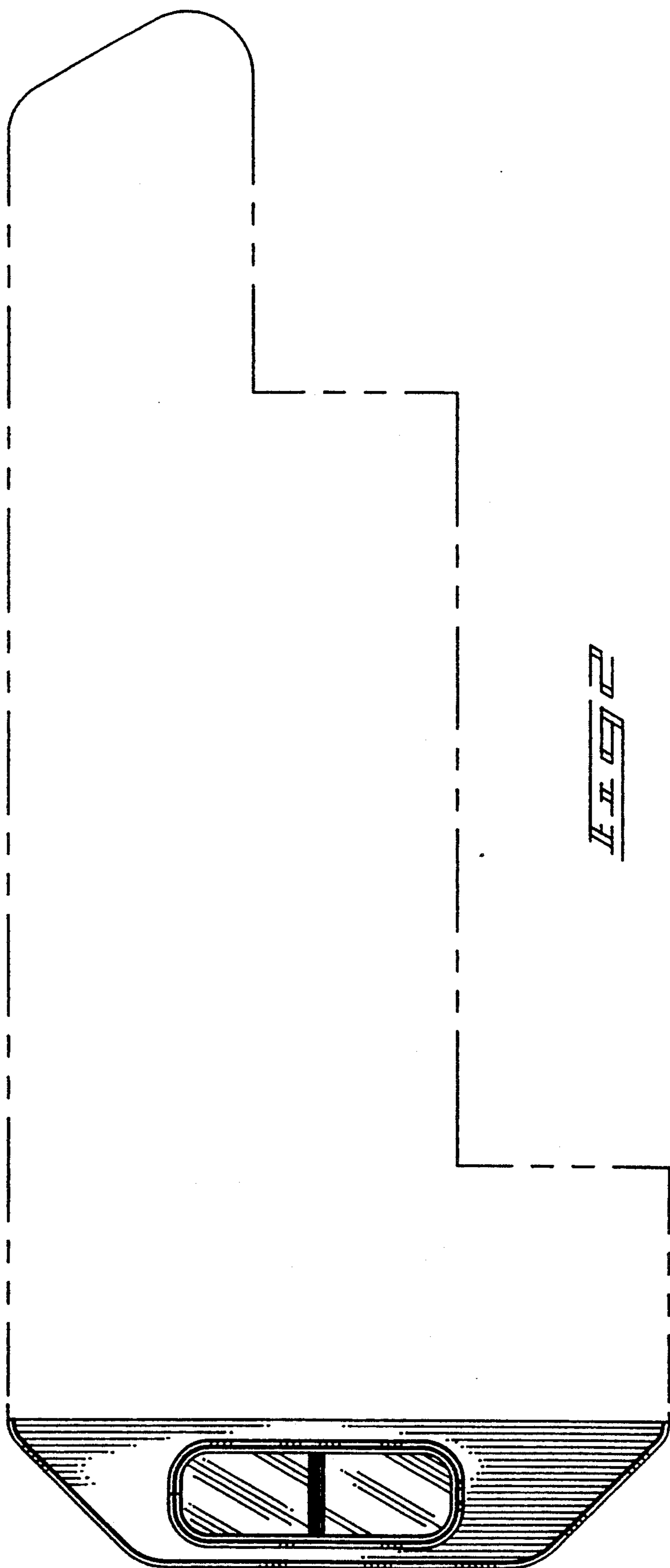
#### U.S. PATENT DOCUMENTS

D. 238,352	1/1976	Dissman et al. ....	D12/156
3,887,226	6/1975	Hart .....	296/26
4,960,299	10/1990	Steadman .....	296/26
5,011,216	4/1991	Baughman .....	296/26

The broken line showing of the forward portions of a camper is for illustrative purposes only and forms no part of the claimed design.







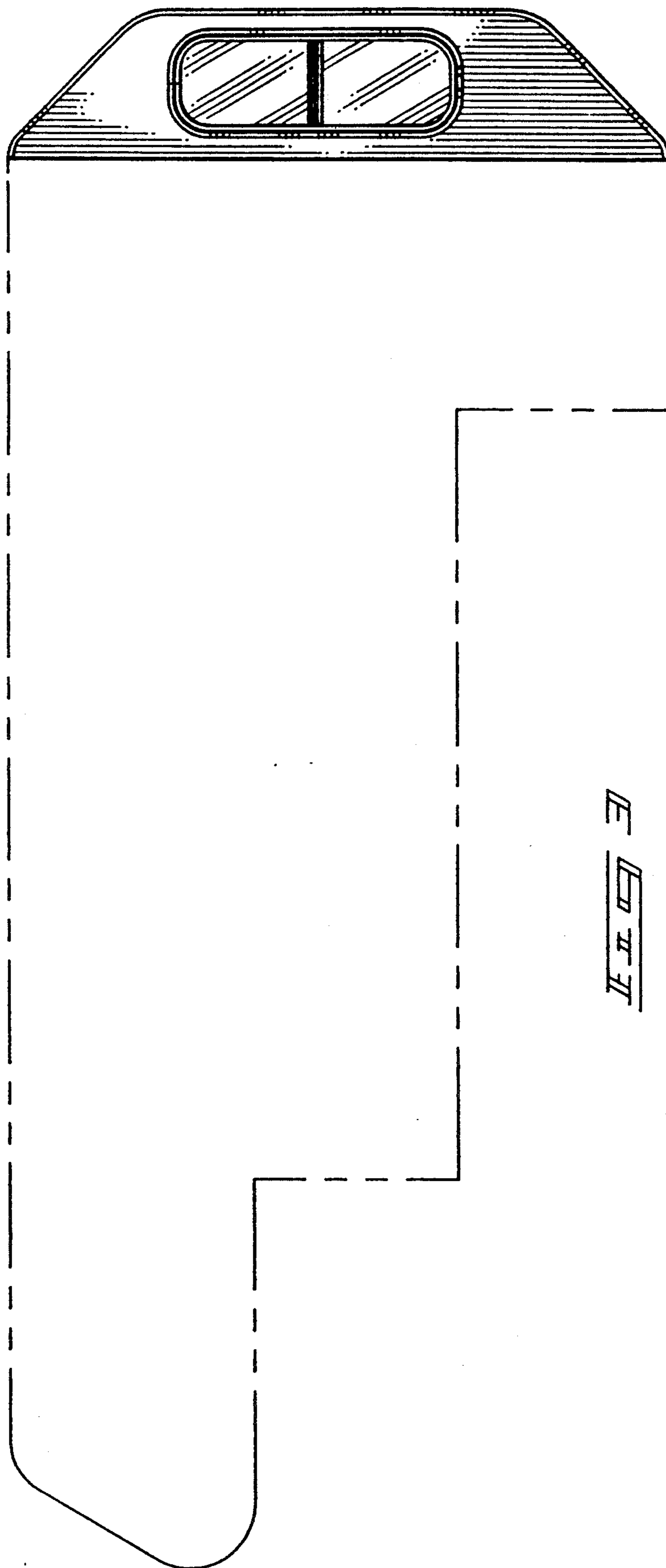
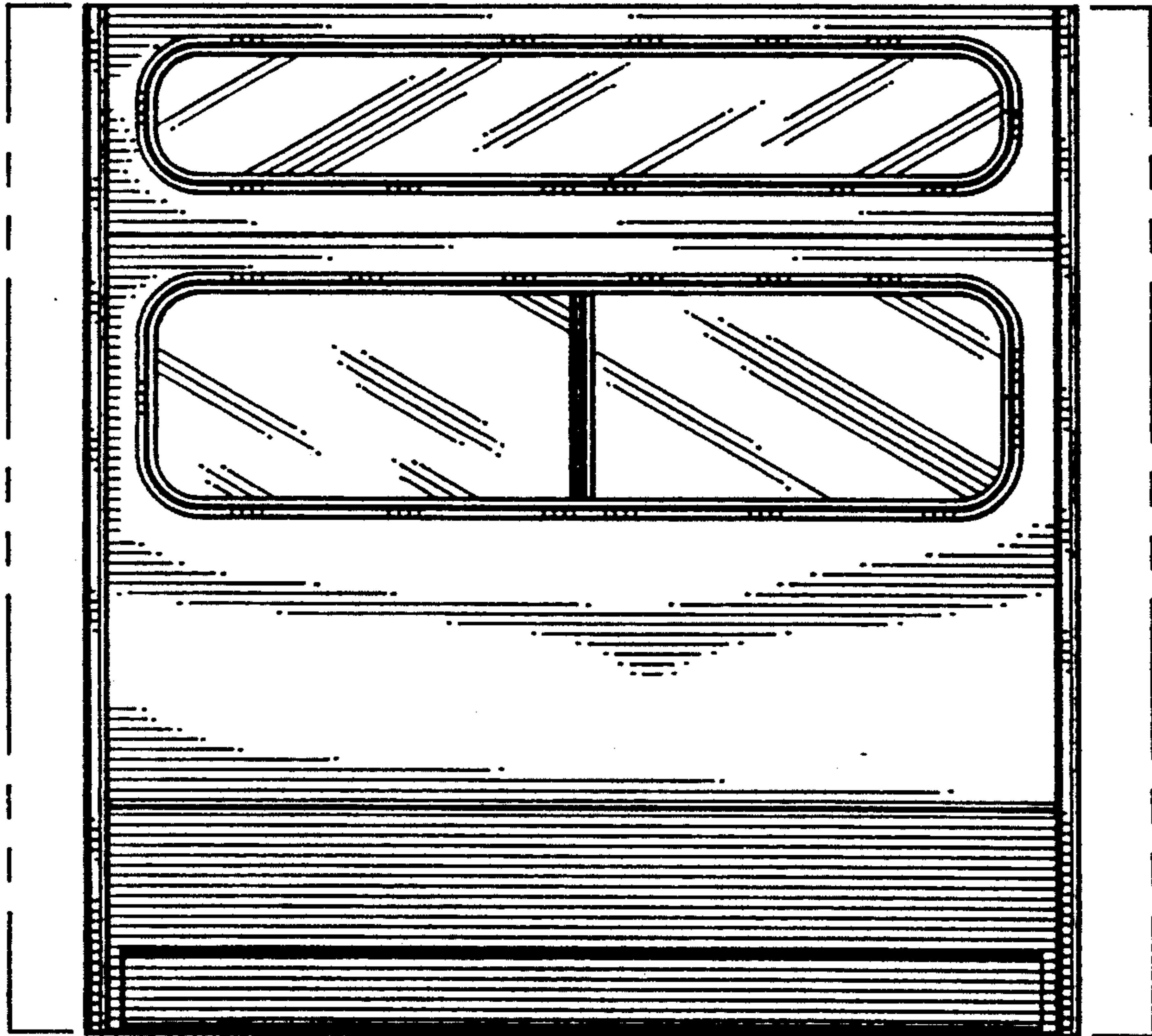


FIG. 3



*Fig. 4*

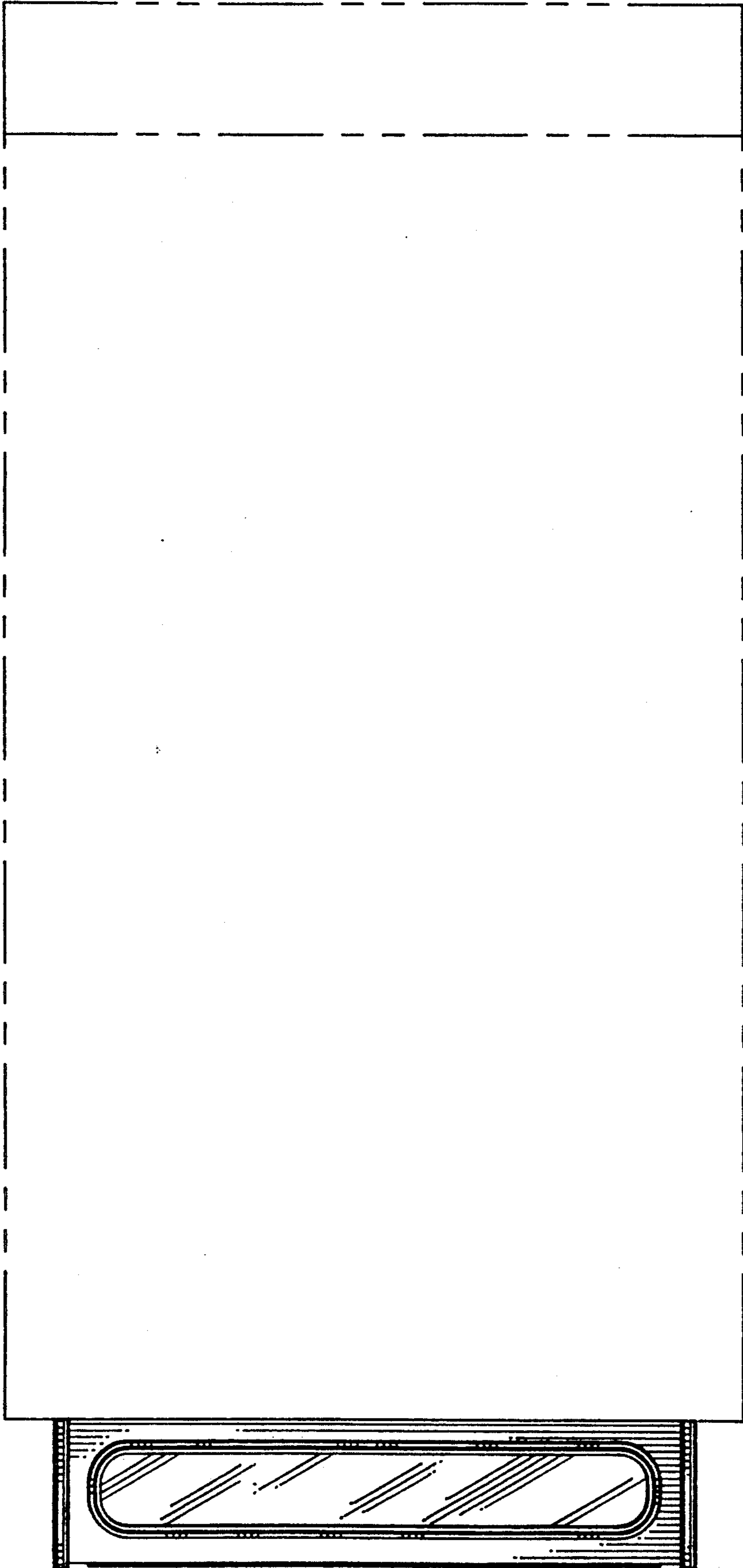


FIG. 5

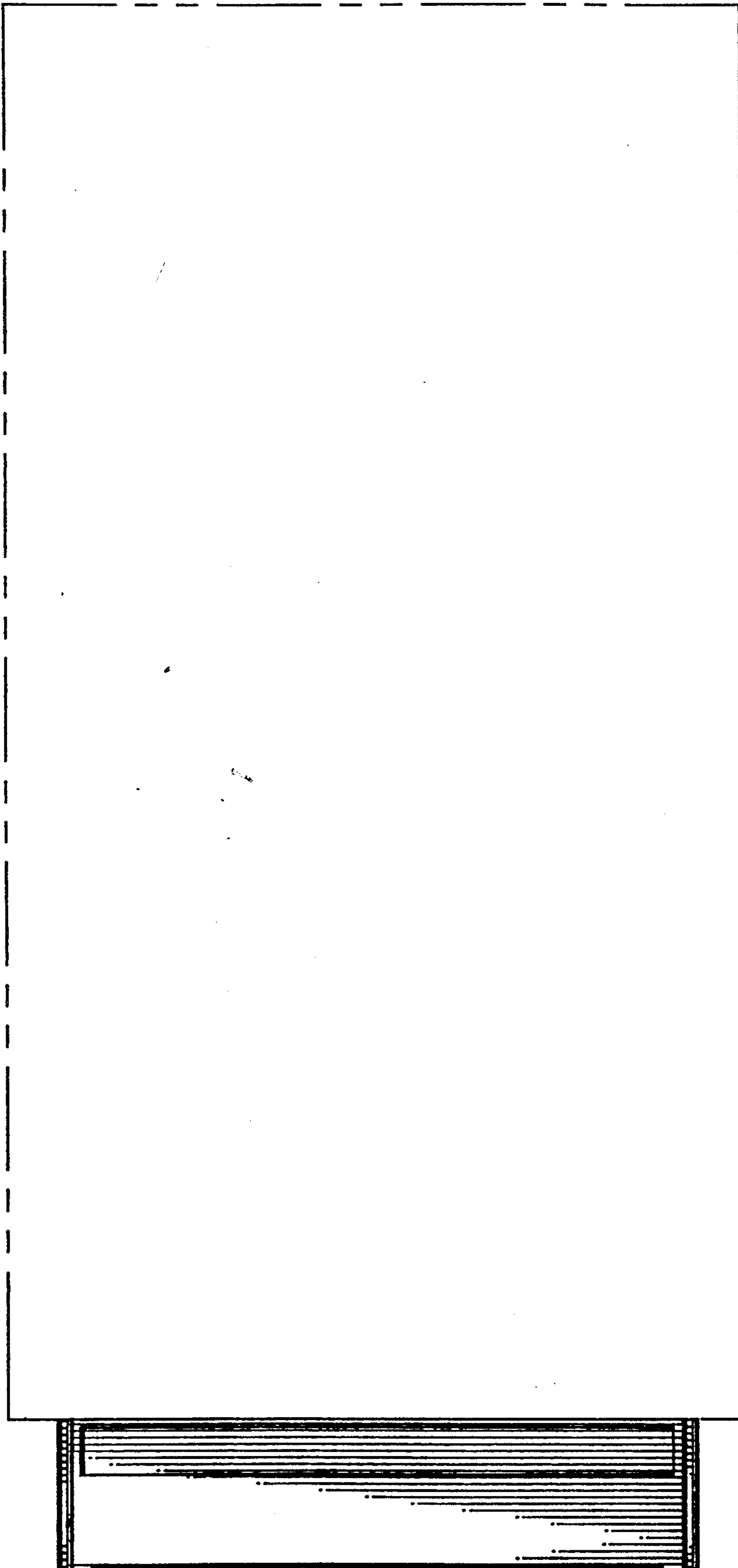


FIG. 6