



US00D330180S

# United States Patent [19]

[11] Patent Number: **Des. 330,180**

Daves

[45] Date of Patent: **\*\* Oct. 13, 1992**

## [54] STORAGE KIT FOR CARGO LOAD LOCKS

## [57] CLAIM

[76] Inventor: **James W. Daves**, 1108 Monique Ave., Bakersfield, Calif. 93307

The ornamental design for a storage kit for cargo load locks, as shown and described.

[\*\*] Term: **14 Years**

## DESCRIPTION

[21] Appl. No.: **529,266**

FIG. 1 is a perspective view of a storage kit for cargo load locks showing my new design, it being understood that the broken lines are for illustrative purposes only and forms no part of the claimed design;

[22] Filed: **May 29, 1990**

FIG. 2 is a perspective view of the first component thereof;

[52] U.S. Cl. .... **D12/155**

FIG. 3 is a perspective view of the second component thereof;

[58] Field of Search ..... **D12/155; 224/42.25; 211/8, 60.1, 70.6; 248/200.1, 251**

FIG. 4 is a front elevation view of the first component thereof;

## [56] References Cited

### U.S. PATENT DOCUMENTS

|           |         |               |             |
|-----------|---------|---------------|-------------|
| 4,056,220 | 11/1977 | Trimble       | 224/42.45 R |
| 4,768,690 | 9/1988  | Stoutenberg   | 224/42.45 R |
| 5,007,568 | 4/1991  | Da Vault      | 224/42.45 R |
| 5,052,601 | 10/1991 | Carter et al. | 224/42.41   |

FIG. 5 is a left side elevation view of the first component thereof;

FIG. 6 is a right side elevation view of the first component thereof;

### FOREIGN PATENT DOCUMENTS

|          |         |                |             |
|----------|---------|----------------|-------------|
| 0221668  | 7/1968  | Sweden         | 224/42.45 R |
| 22311543 | 11/1991 | United Kingdom | 224/42.45 R |

FIG. 7 is a bottom plan view of the first component thereof;

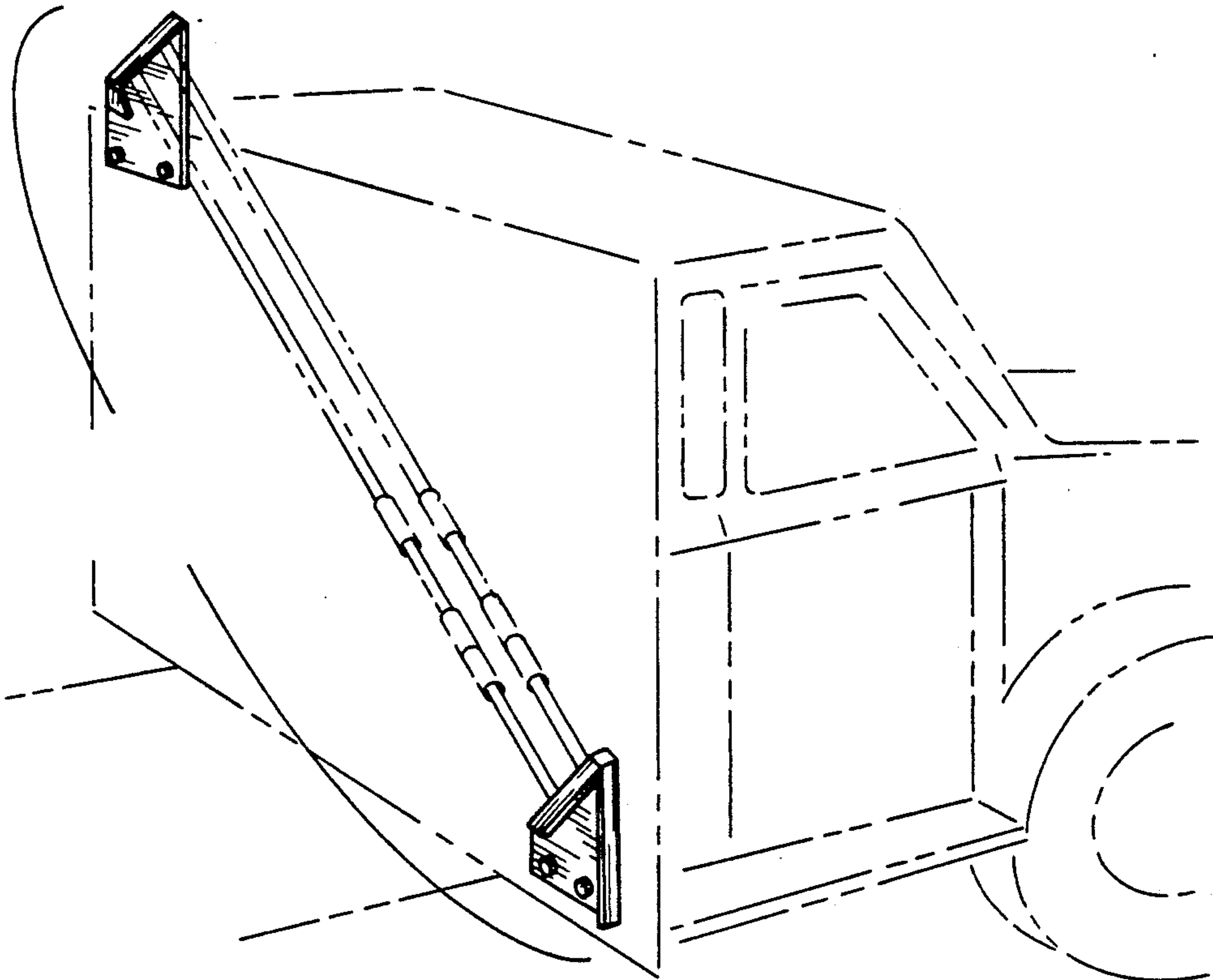
FIG. 8 is a front elevation view of the second component thereof;

FIG. 9 is a right side elevation view of the second component thereof;

*Primary Examiner*—Wallace R. Burke  
*Assistant Examiner*—Melody Brown  
*Attorney, Agent, or Firm*—Richard C. Litman

FIG. 10 is a left side elevation view of the second component thereof; and,

FIG. 11 is a bottom plan view of the second component thereof.



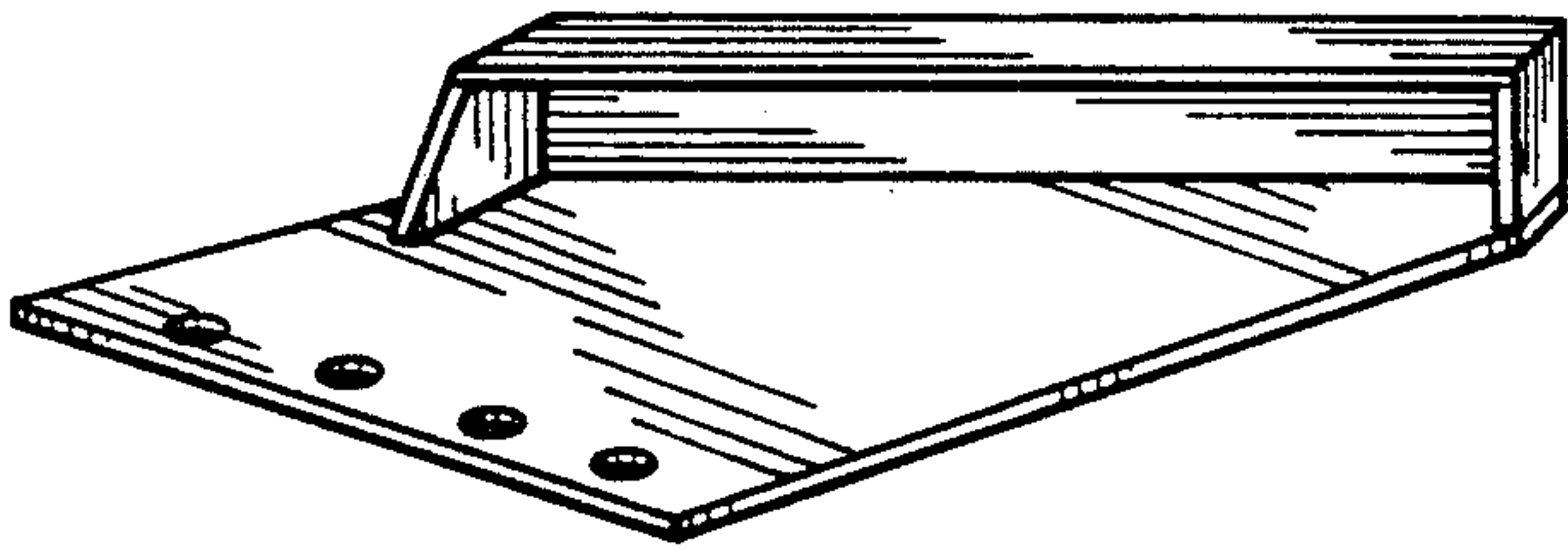
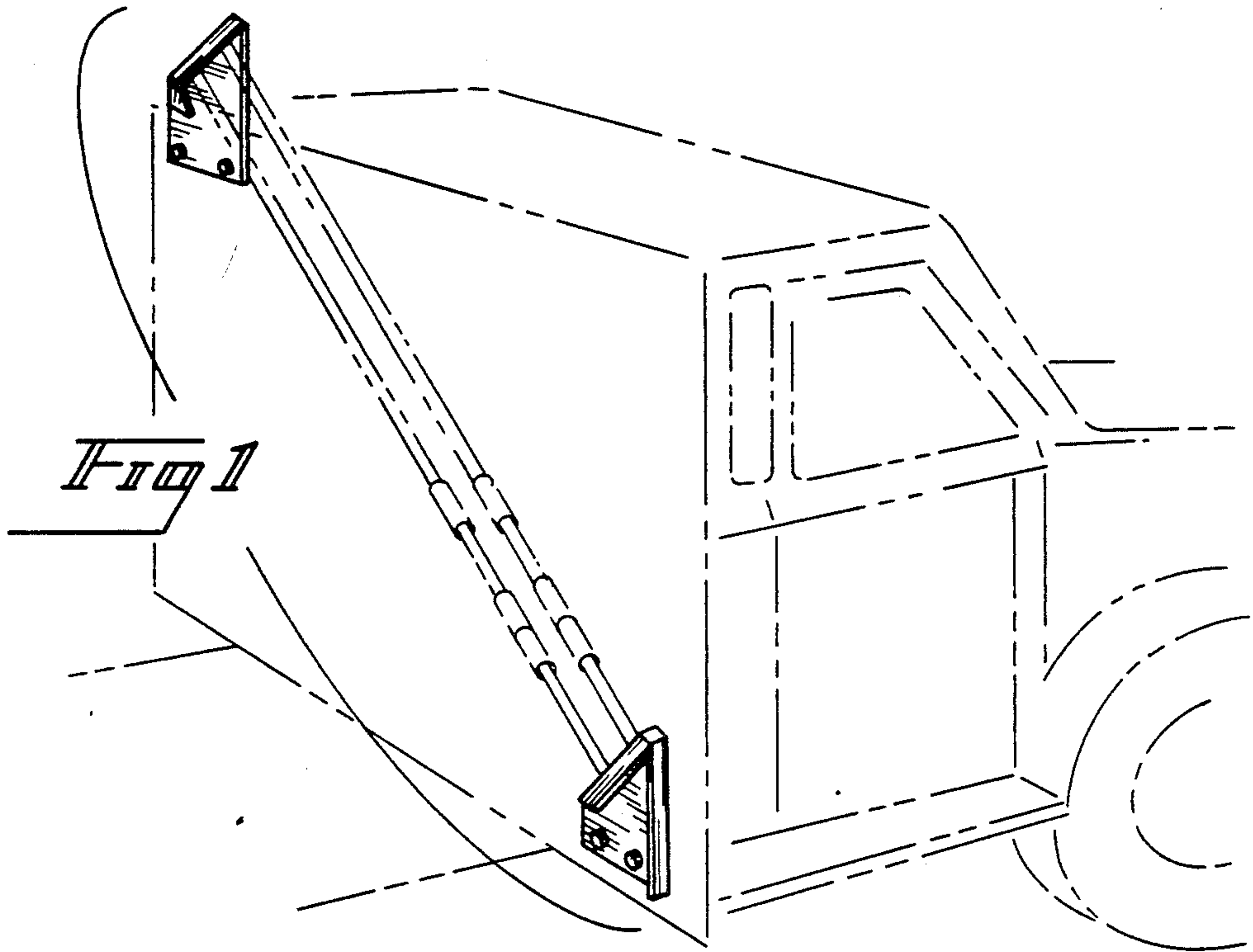
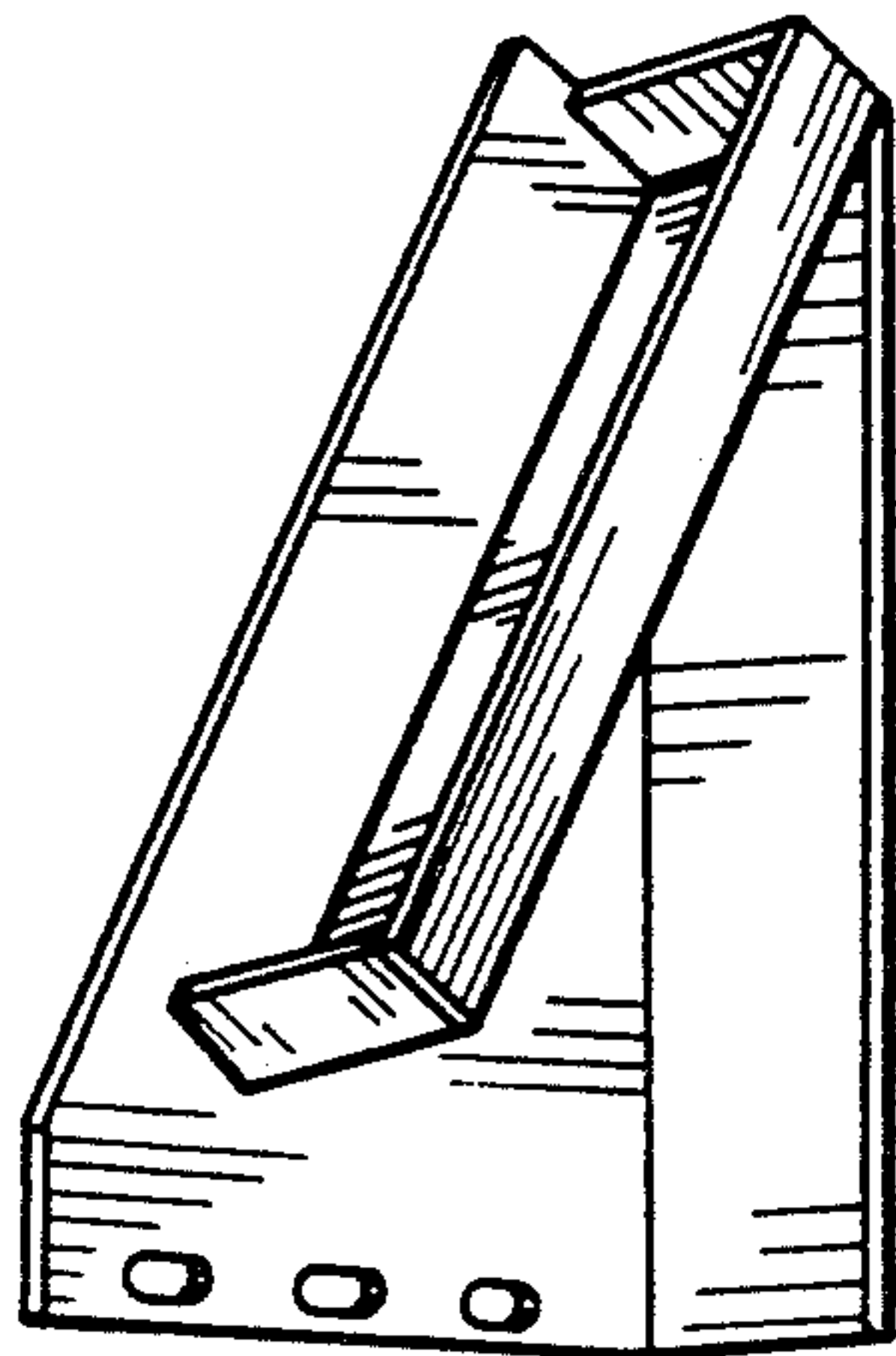


Fig 3



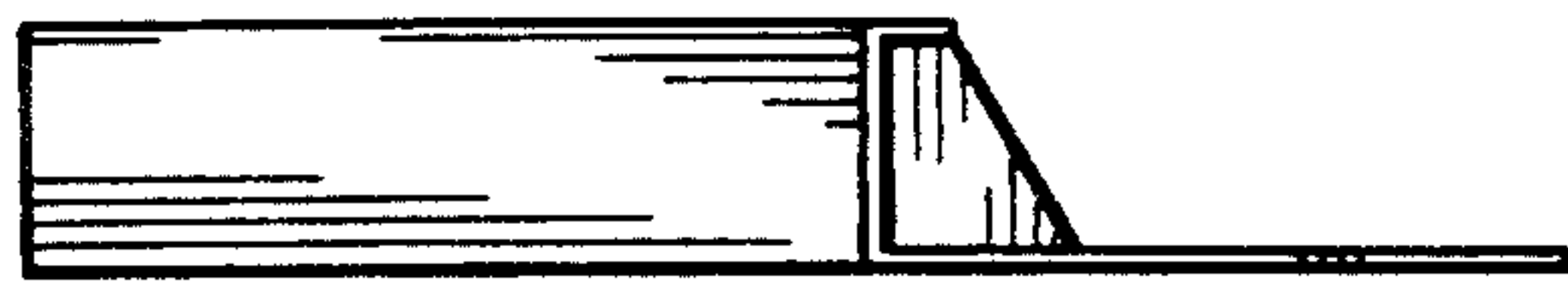


Fig 5



Fig 6

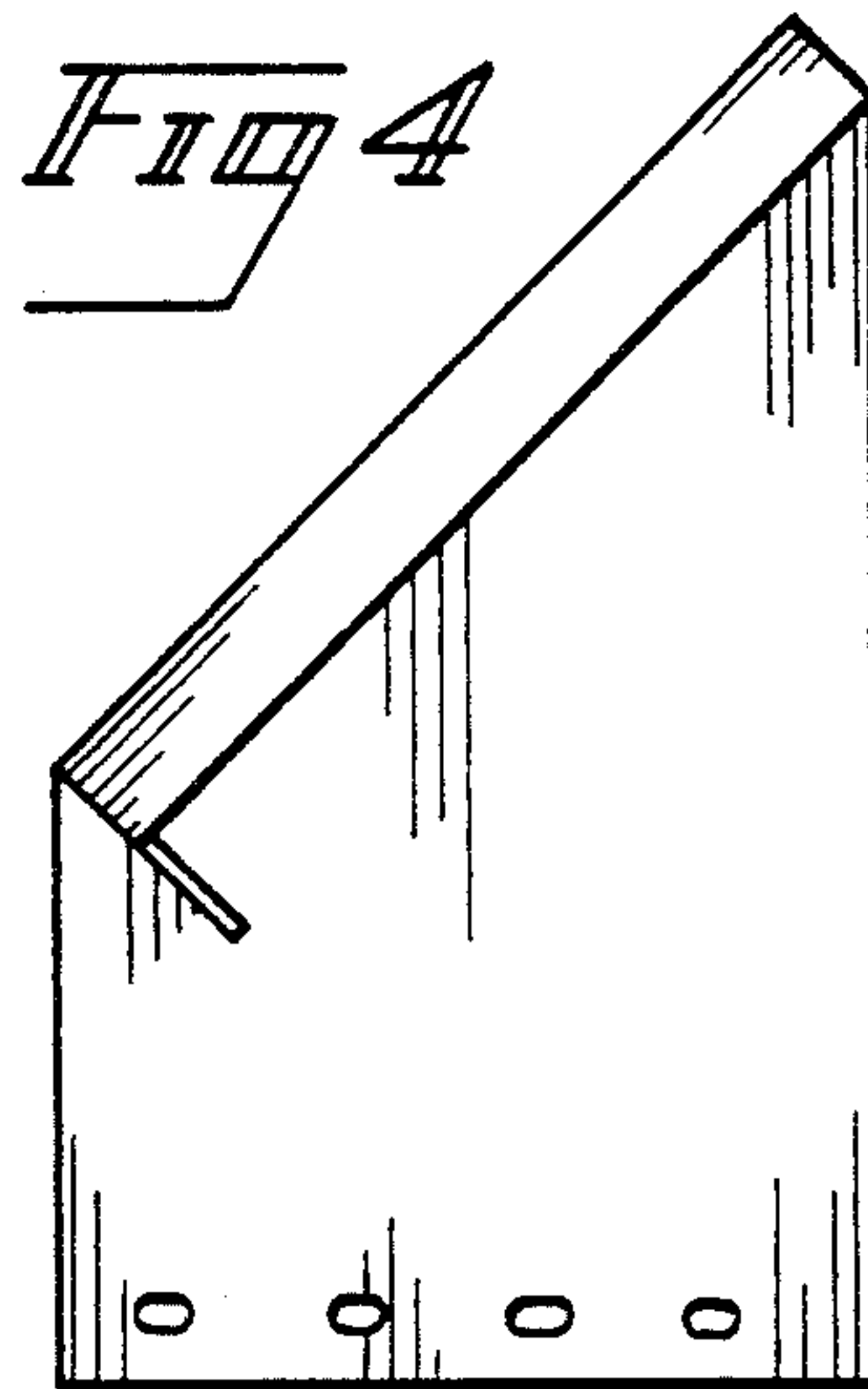


Fig 4



Fig 7

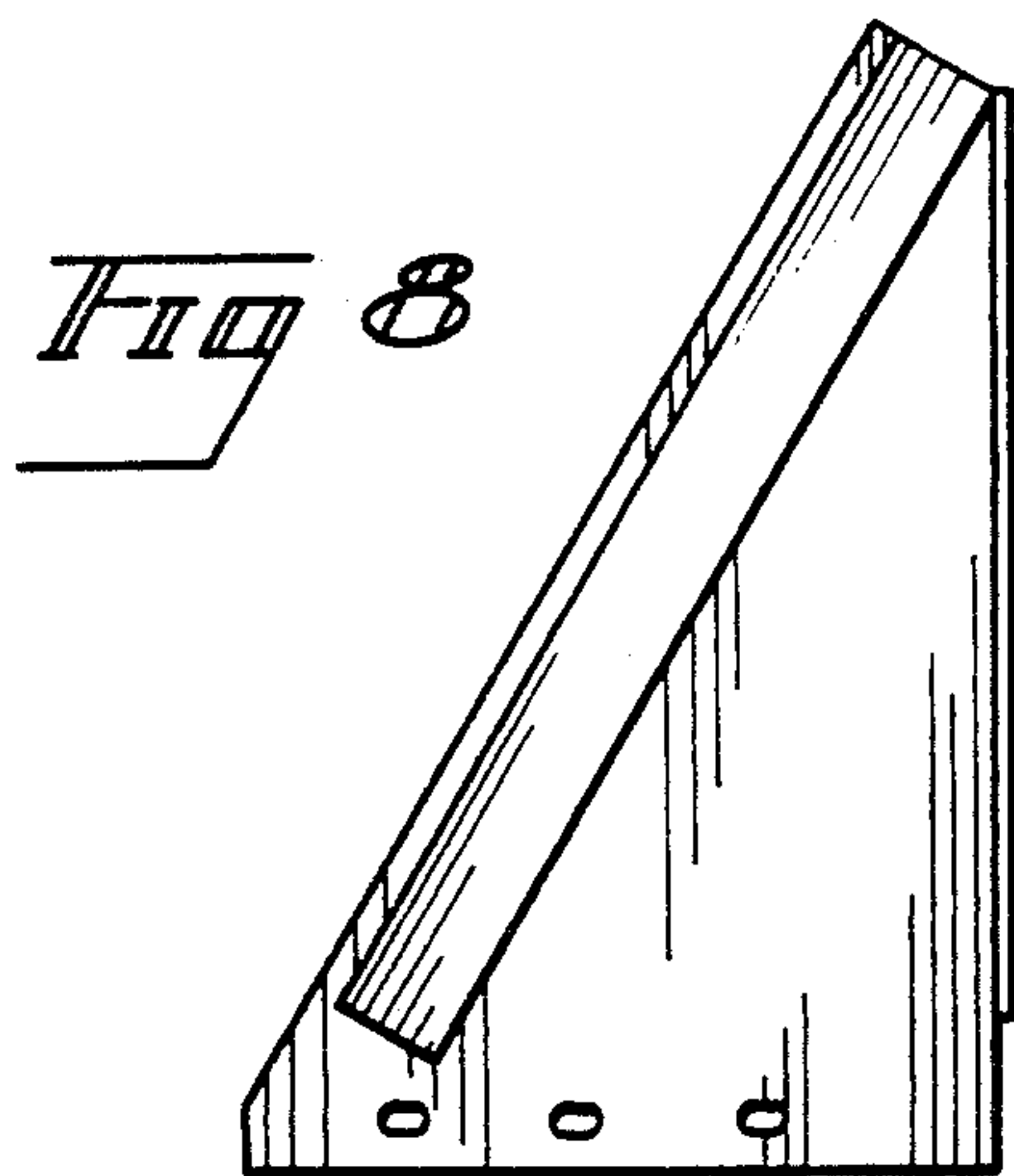


Fig 8

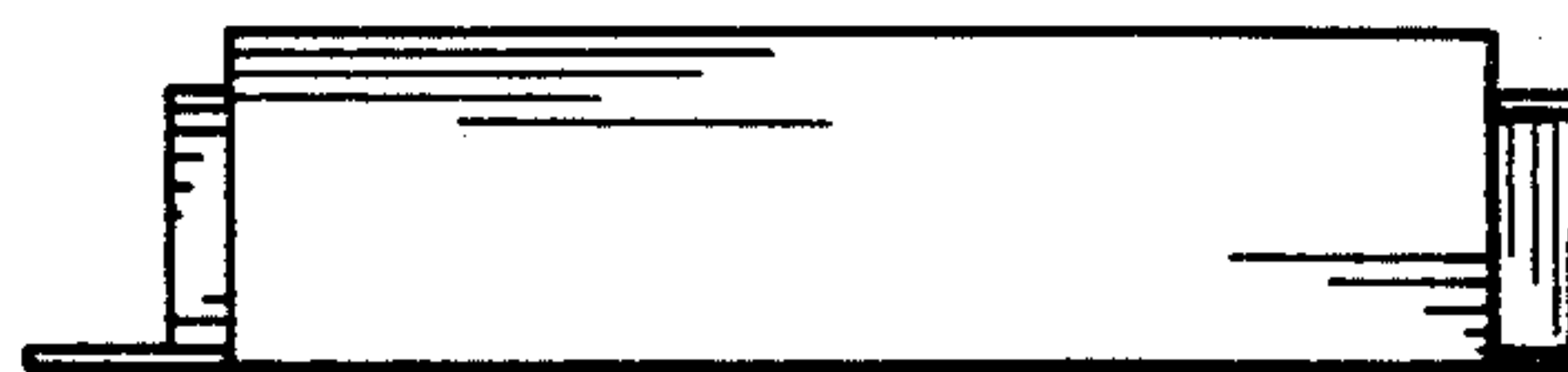


Fig 9

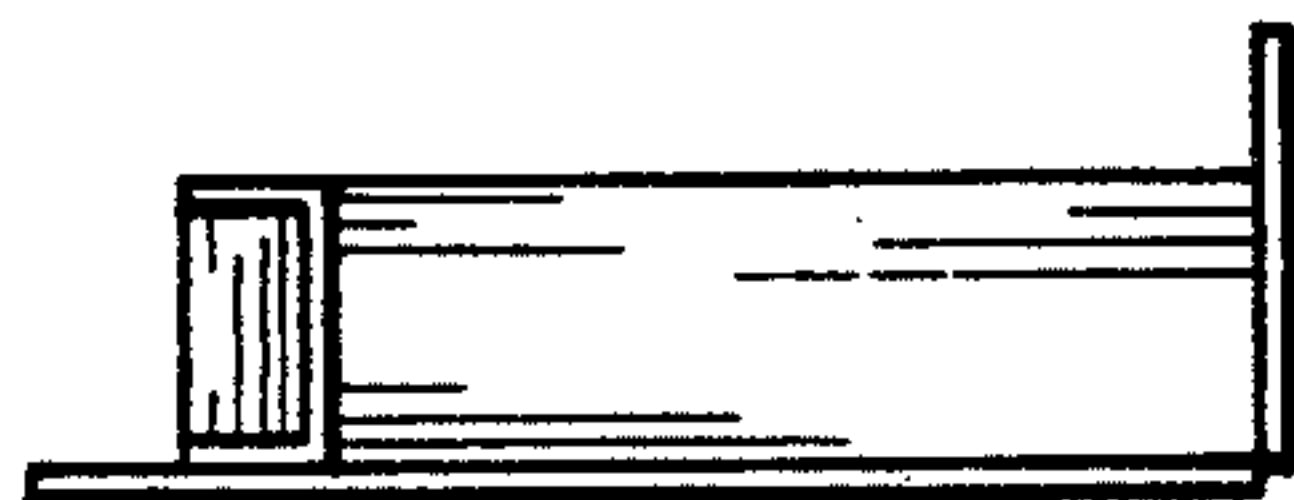


Fig 11

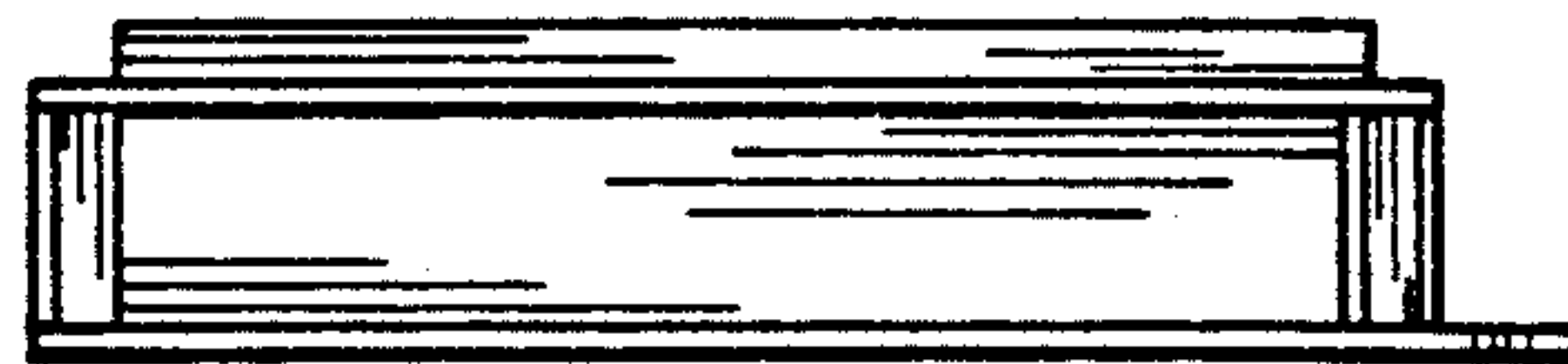


Fig 10