



US00D330178S

United States Patent [19]

[11] Patent Number: **Des. 330,178**

Trigger

[45] Date of Patent: **** Oct. 13, 1992**

[54] **ARTICLE CARRIER FOR A STROLLER**

4,974,760 12/1990 Miller 224/42.46 R

[76] Inventor: **Joyce A. Trigger**, 1450 Medfield Ave., Baltimore, Md. 21211

Primary Examiner—Kay H. Chin
Attorney, Agent, or Firm—Walter G. Finch

[**] Term: **14 Years**

[57] **CLAIM**

[21] Appl. No.: **659,121**

The ornamental design for an article carrier for a stroller, as shown and described.

[22] Filed: **Feb. 22, 1991**

[52] U.S. Cl. **D12/133; D3/30.1**

DESCRIPTION

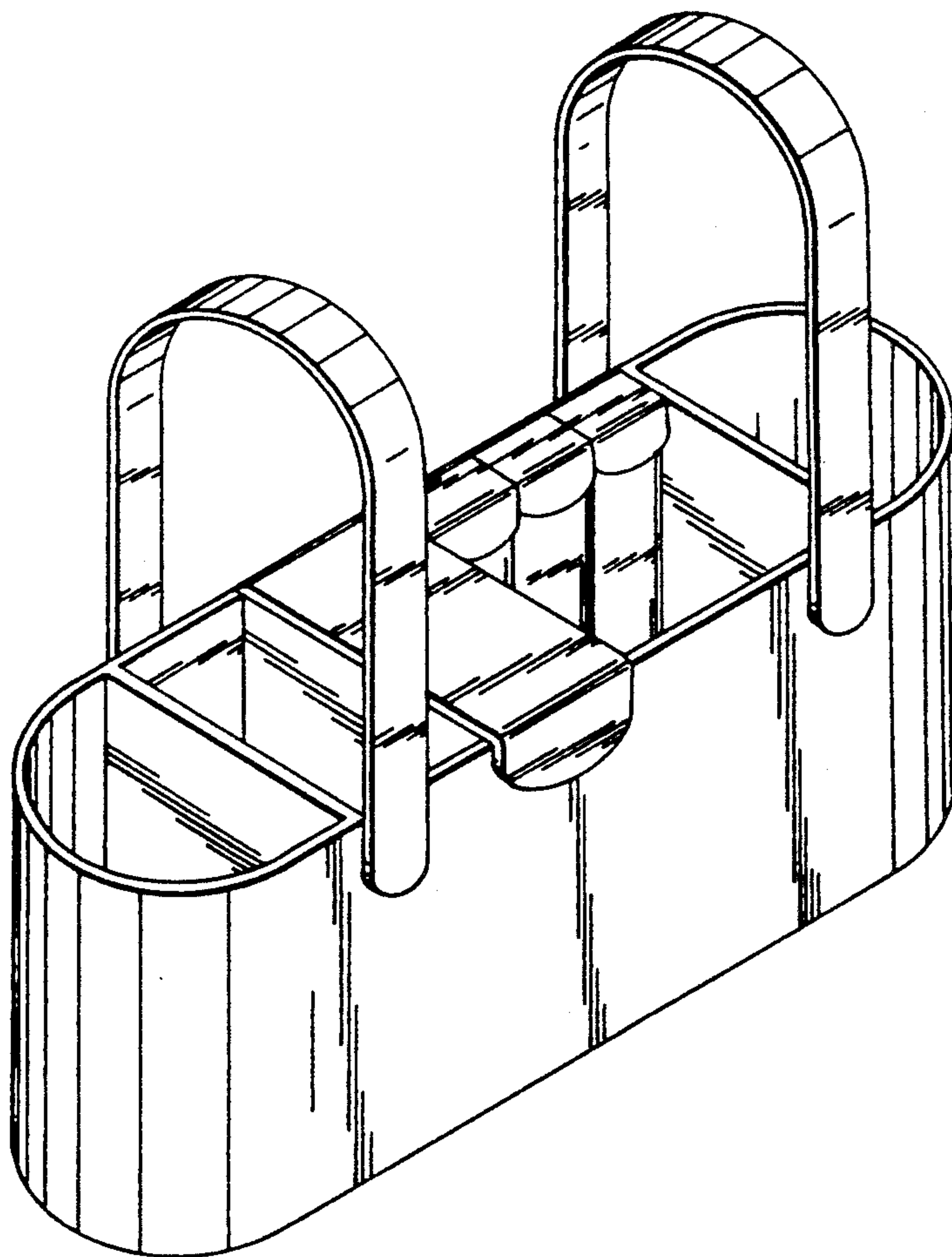
[58] Field of Search **D12/128, 130, 133; 224/42.46 R, 42.45 R; D3/30.1, 10; D7/605, 629**

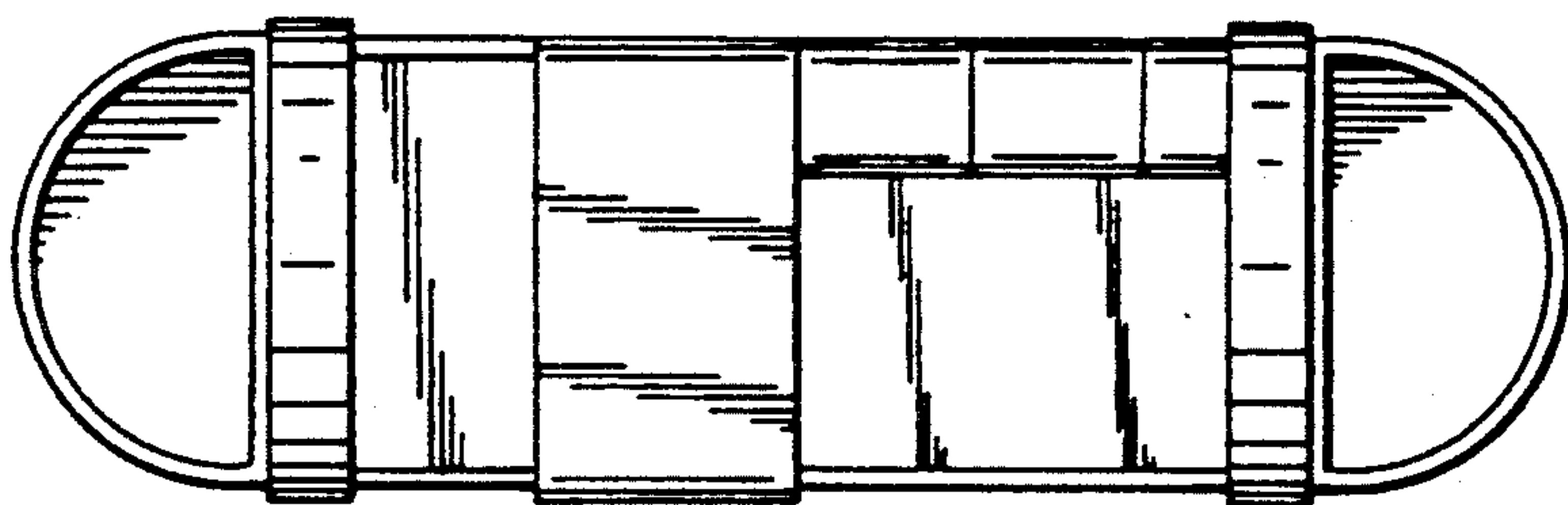
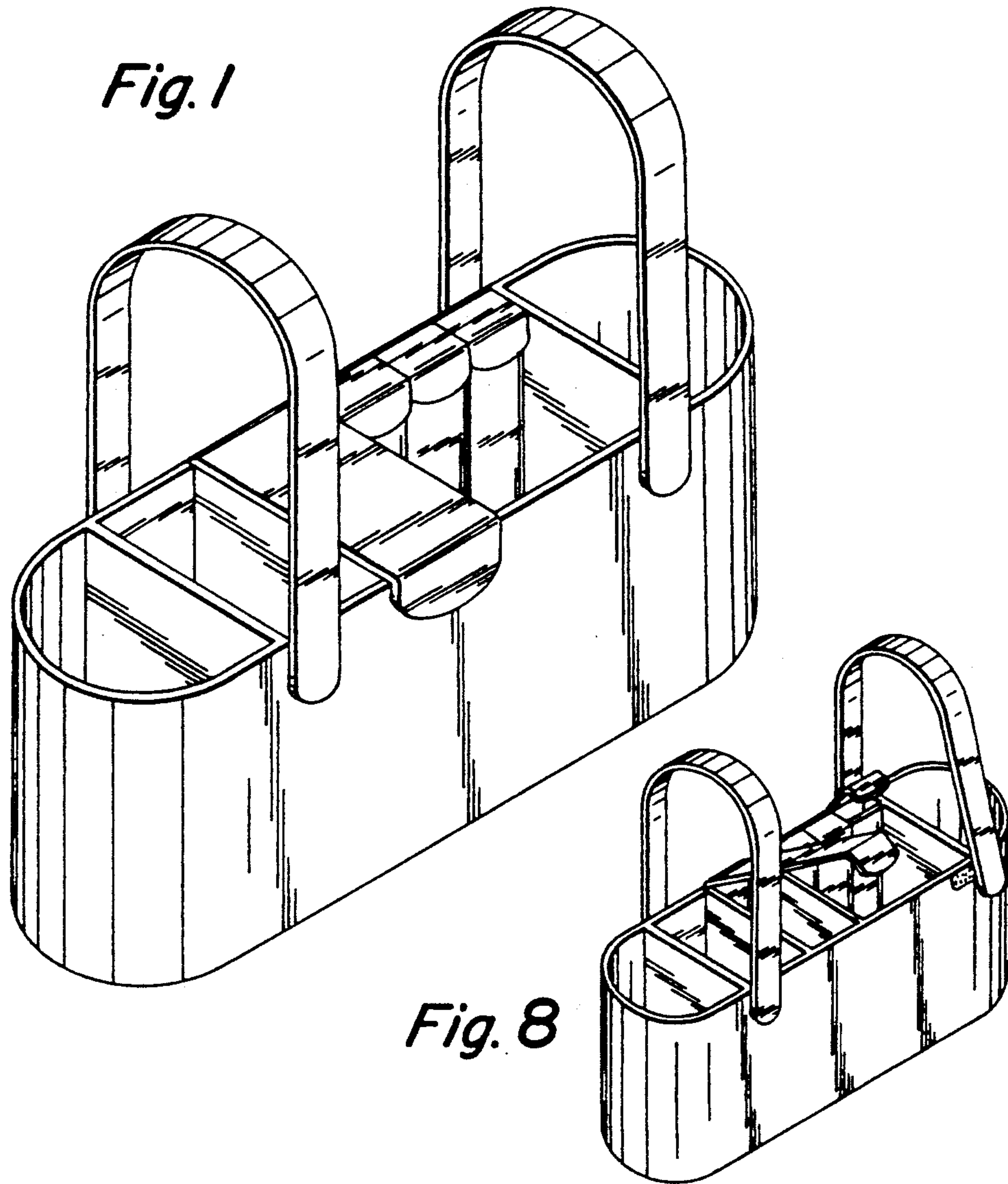
FIG. 1 is a top perspective view of an article carrier for a stroller showing my new design;
FIG. 2 is a top plan view thereof;
FIG. 3 is a left side elevational view thereof;
FIG. 4 is a right side elevational view thereof;
FIG. 5 is a front elevational view thereof;
FIG. 6 is a rear elevational view thereof;
FIG. 7 is a bottom plan view thereof; and,
FIG. 8 is a top perspective view thereof with two lids of the compartments in an open condition.

[56] References Cited

U.S. PATENT DOCUMENTS

D. 324,504	3/1992	Olsen	D12/130
4,184,618	1/1980	Jones	D3/30.1
4,577,903	3/1986	Wells	224/42.46 R
4,676,416	6/1987	Harmon	224/42.46 R





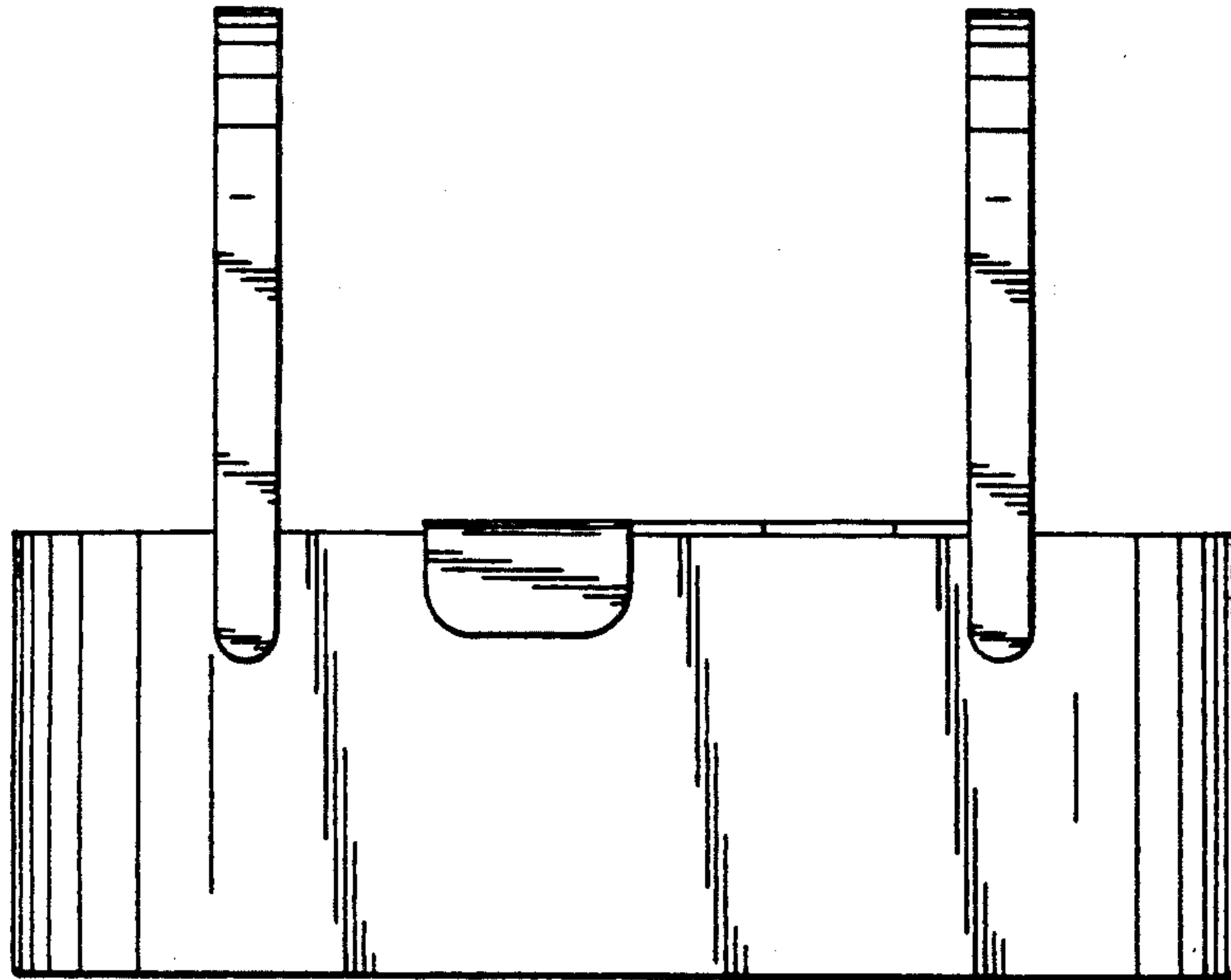


Fig. 3

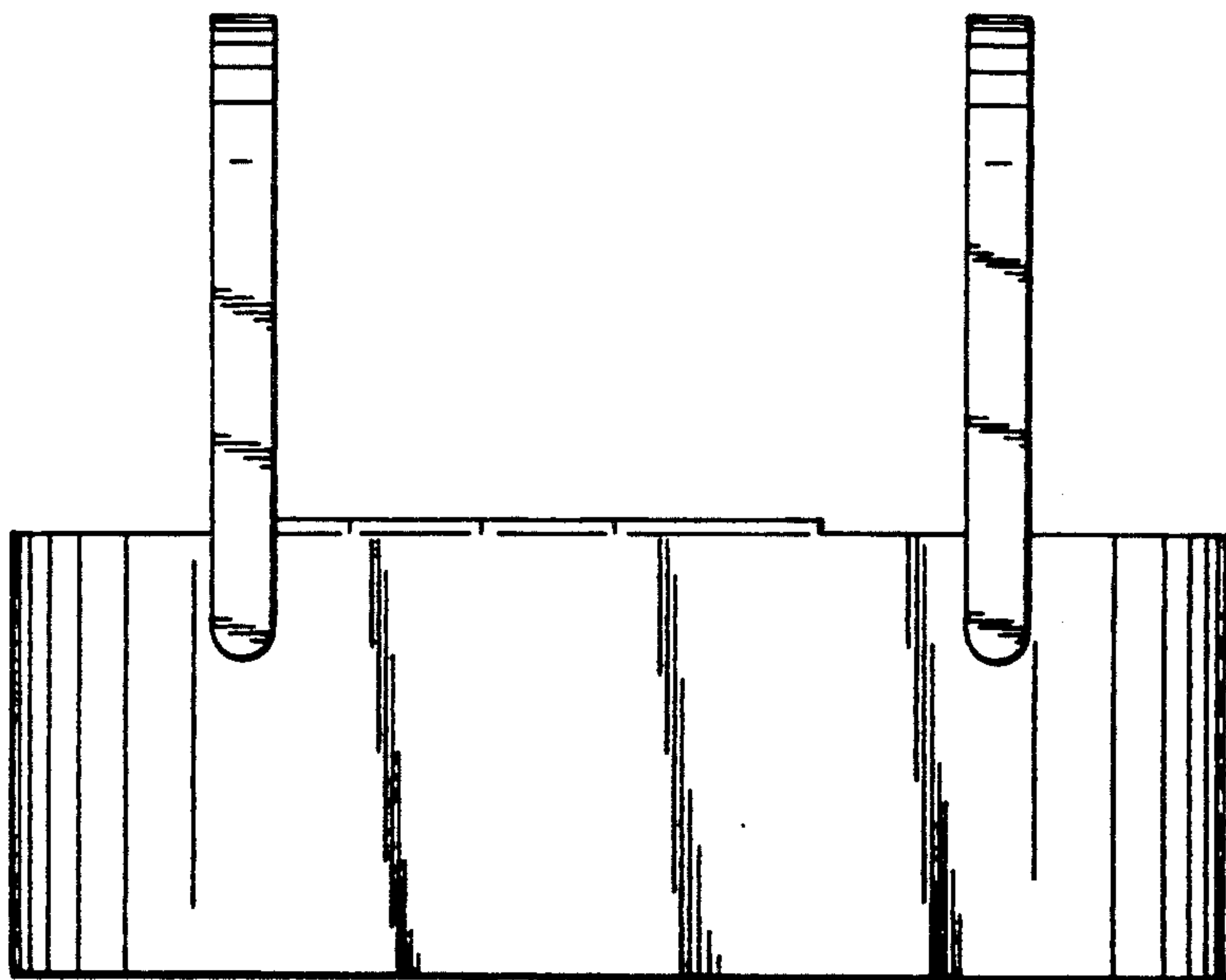


Fig. 4

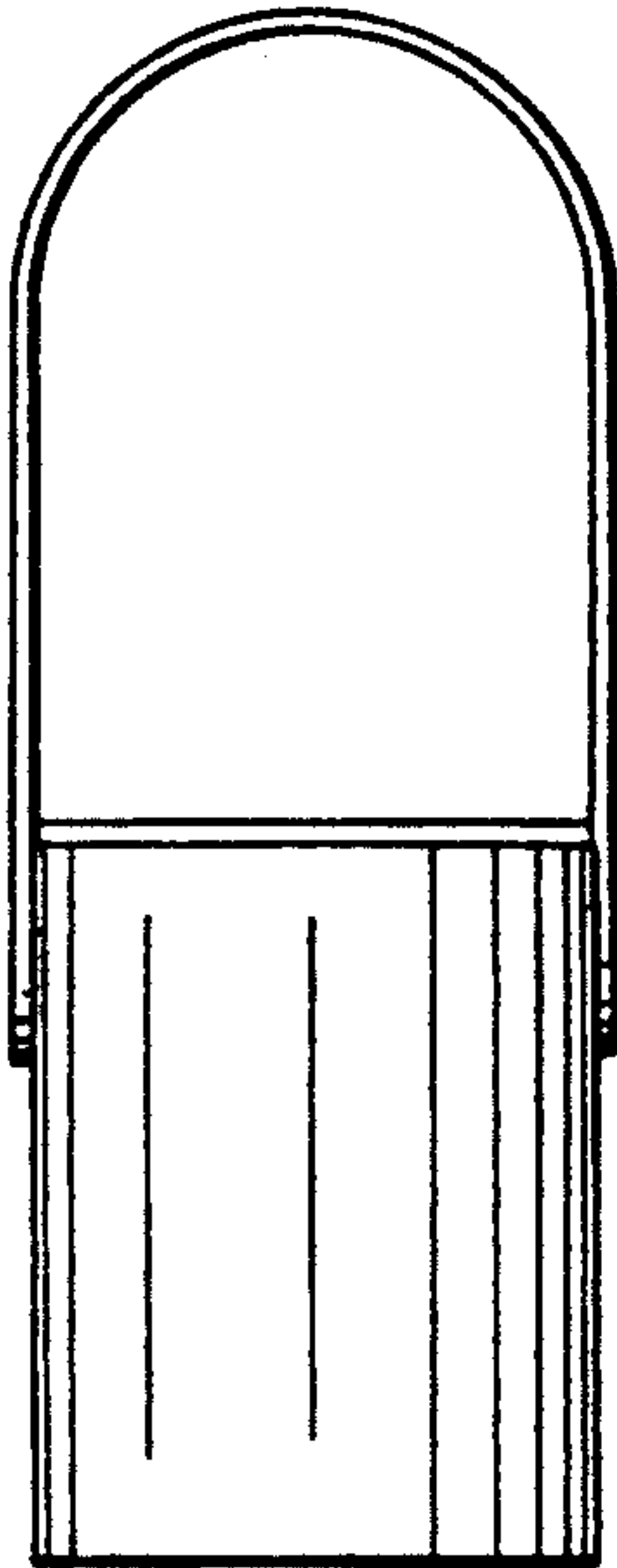


Fig. 5

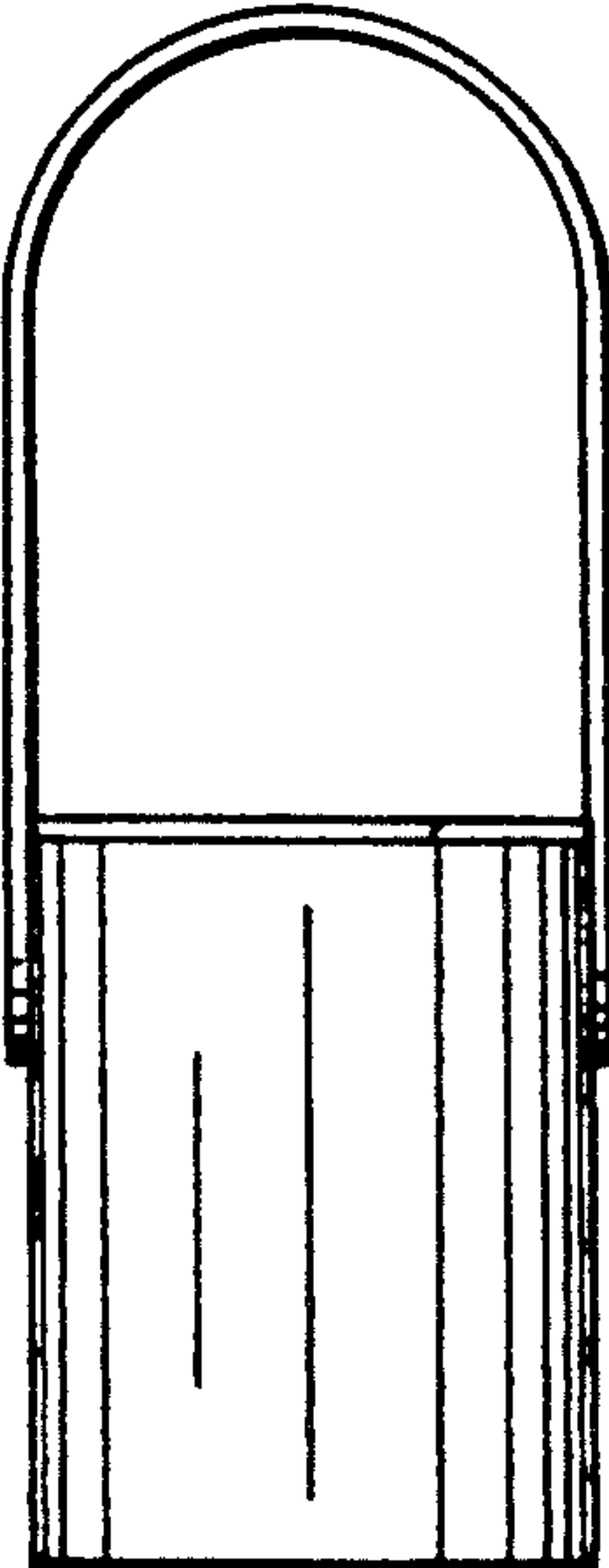


Fig. 6

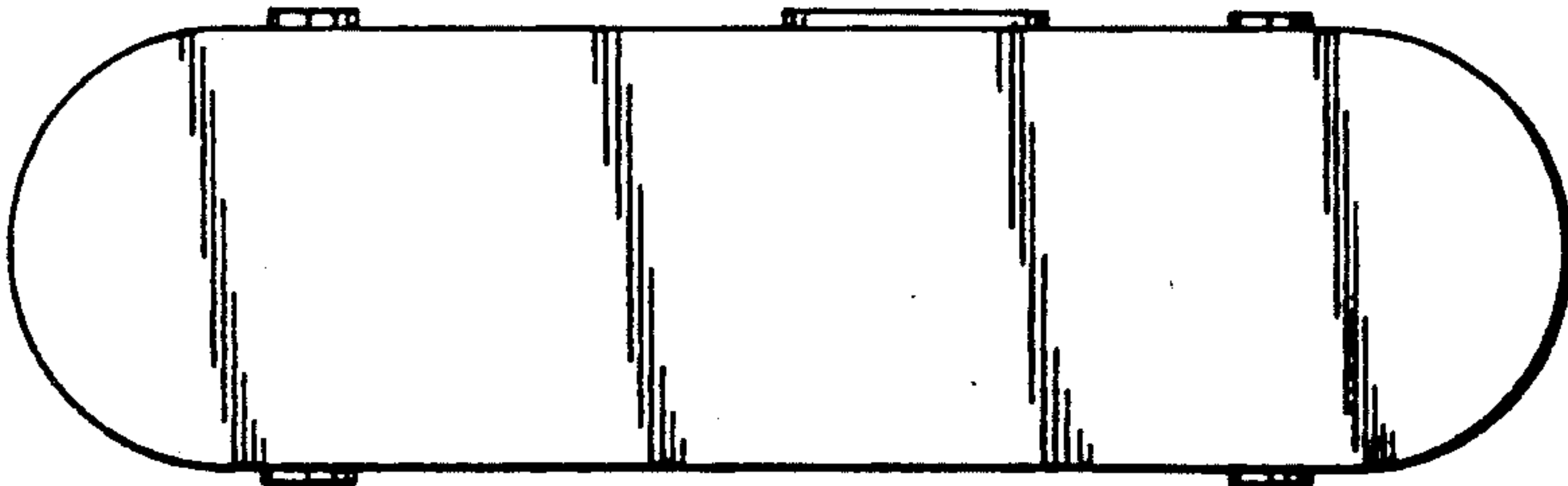


Fig. 7