



US00D330177S

United States Patent [19]

[11] Patent Number: **Des. 330,177**

Shetter

[45] Date of Patent: **** Oct. 13, 1992**

[54] **RATCHET POWERED WHEELCHAIR**

5,007,655 4/1991 Hanna 280/250.1
5,020,815 6/1991 Harris et al. 280/250.1

[76] Inventor: **Jim Shetter**, 6203 Bermuda Dr.,
Forest Park, Ga. 30050

Primary Examiner—Kay H. Chin
Attorney, Agent, or Firm—Terry M. Gernstein

[**] Term: **14 Years**

[57] **CLAIM**

[21] Appl. No.: **592,866**

The ornamental design for a ratchet powered wheel-
chair, as shown and described.

[22] Filed: **Oct. 4, 1990**

[52] U.S. Cl. **D12/131; D12/128**

[58] Field of Search **D12/131, 128;**
280/250.1, 243, 242.1, 246; 297/DIG. 4

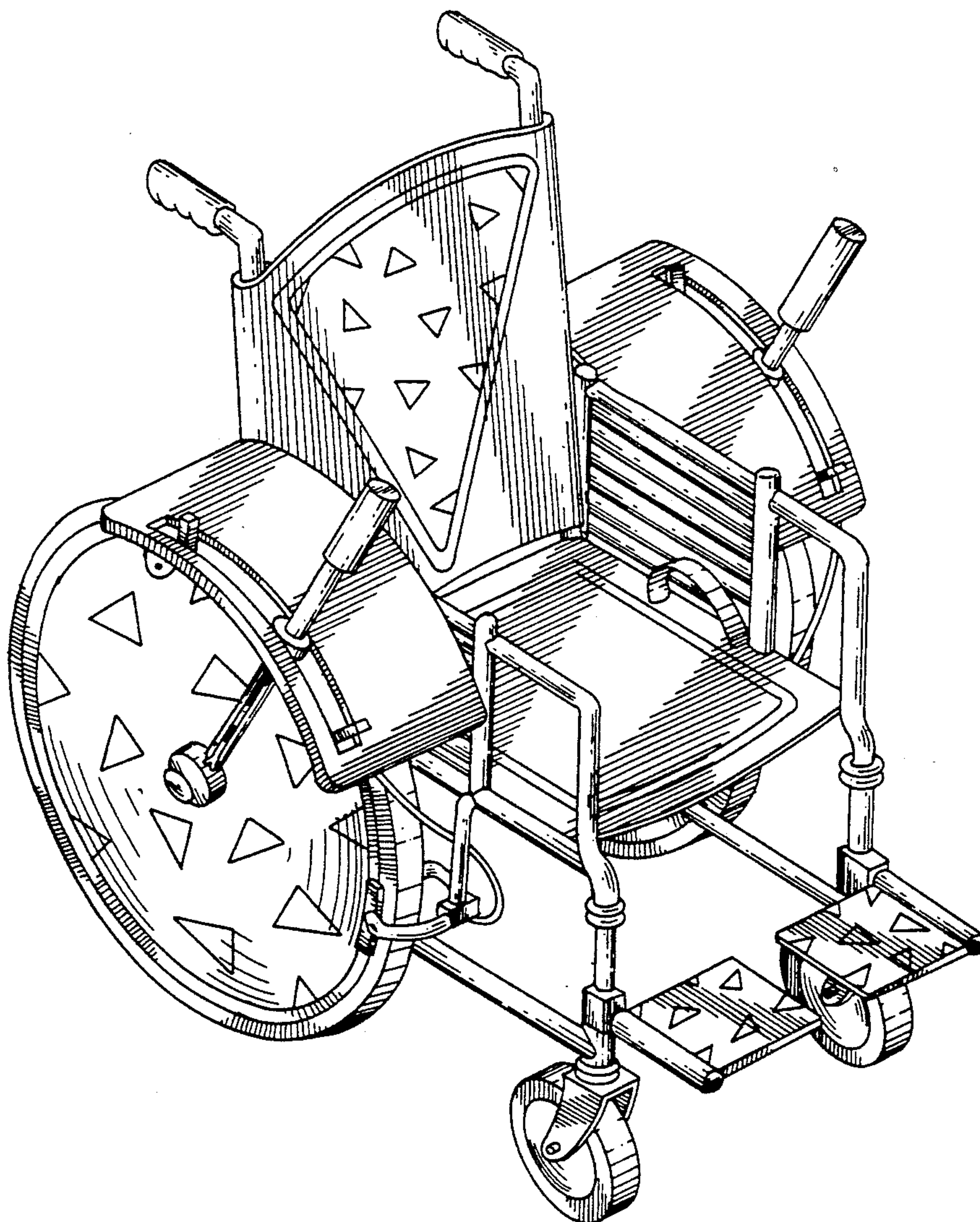
DESCRIPTION

[56] **References Cited**

U.S. PATENT DOCUMENTS

3,666,292	5/1972	Bartos	280/250.1
3,994,509	11/1976	Schaeffer	280/243
4,705,284	11/1987	Stout	280/242 WC
4,762,332	8/1988	Seol	280/242 WC
4,811,964	3/1989	Horn	280/250.1

FIG. 1 is a top and front perspective view of a ratchet powered wheelchair showing my new design;
FIG. 2 is a front elevational view thereof;
FIG. 3 is a rear elevational view thereof;
FIG. 4 is a left side elevational view thereof, the right side elevational view being a mirror image of that shown;
FIG. 5 is a top plan view thereof; and,
FIG. 6 is a bottom plan view thereof.



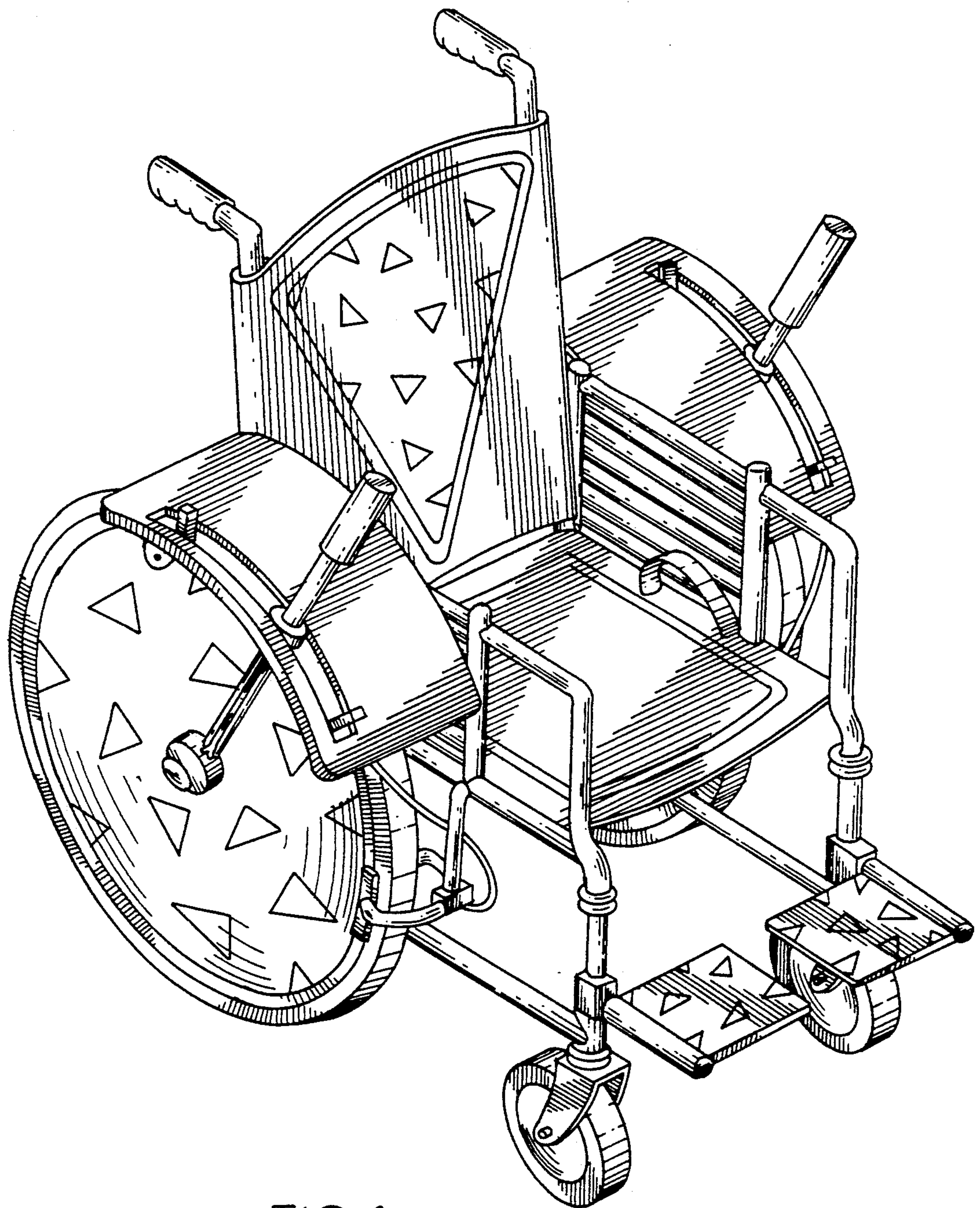


FIG. 1.

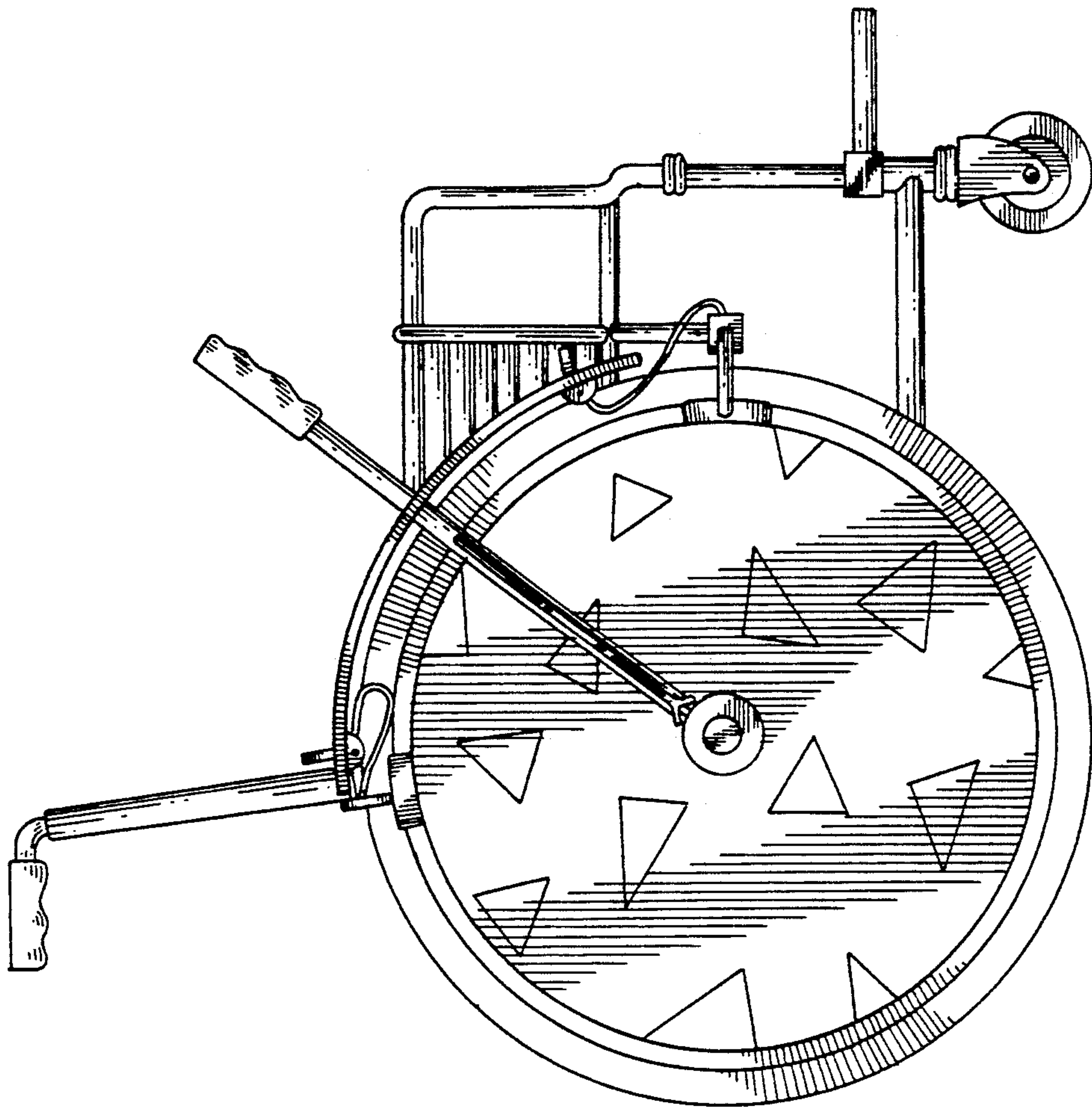


FIG. 4.

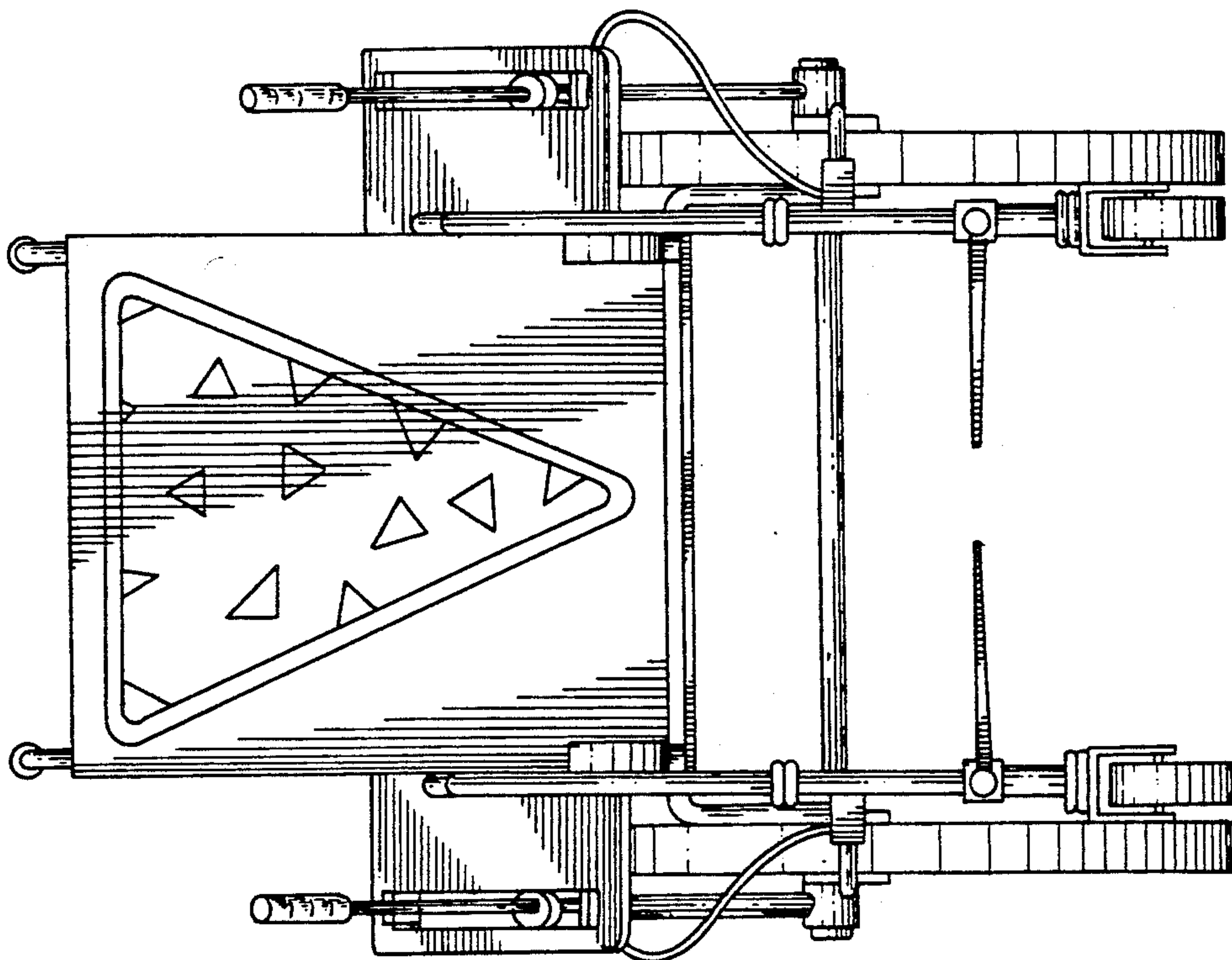


FIG. 2.

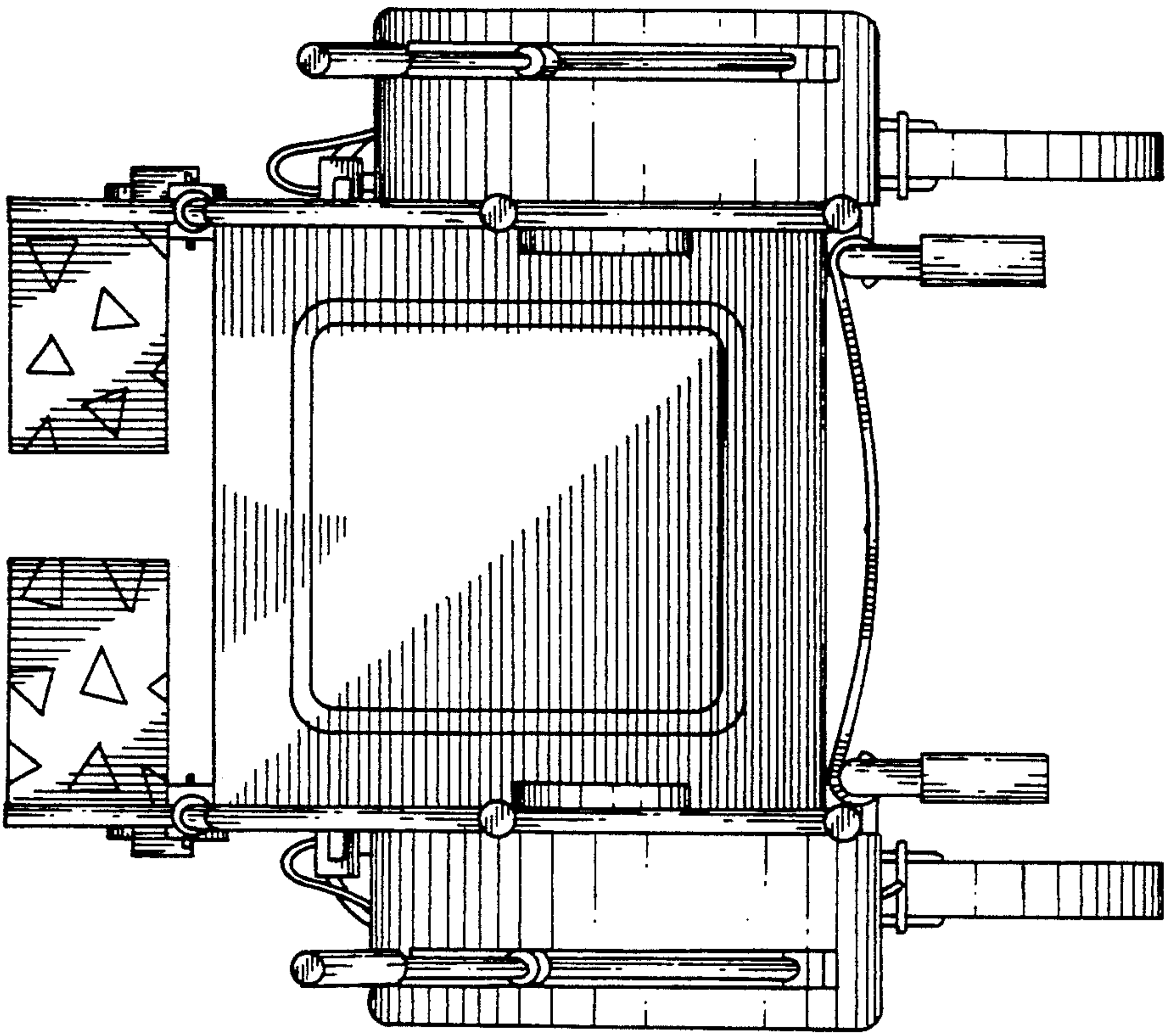


FIG. 5.

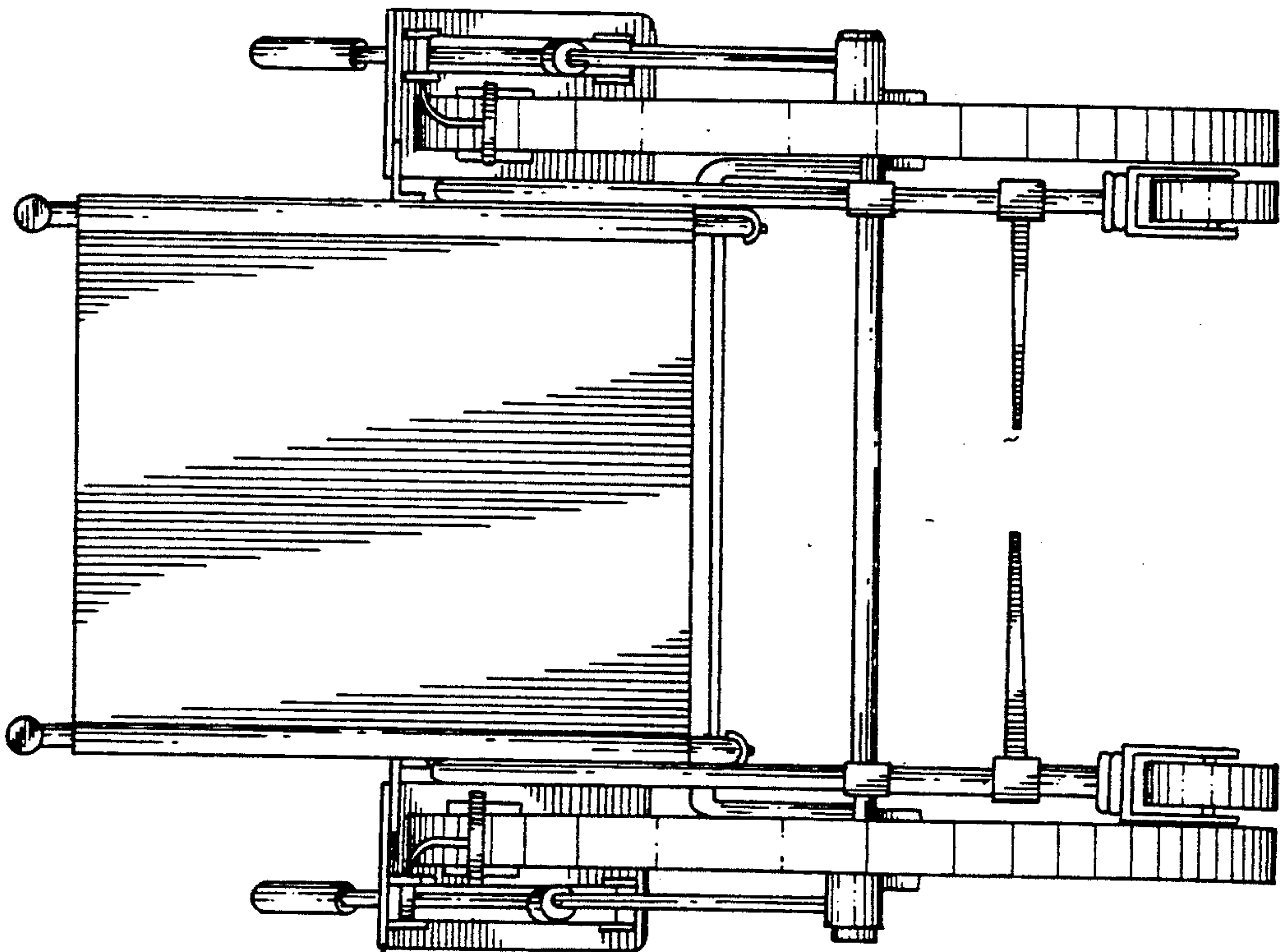


FIG. 3.

FIG. 6.

