



US00D330165S

United States Patent [19]

[11] Patent Number: **Des. 330,165**

Brochu et al.

[45] Date of Patent: **** Oct. 13, 1992**

[54] **CARTON LID**

[75] Inventors: **Simon Brochu, Montreal; Patrick K. O'Donoghue, Longueuil, both of Canada**

[73] Assignee: **Ogilvie Mills Ltd., Canada**

[**] Term: **14 Years**

[21] Appl. No.: **588,458**

[22] Filed: **Sep. 26, 1990**

[30] **Foreign Application Priority Data**

Apr. 20, 1990 [CA] Canada 20-04-90-6

[52] U.S. Cl. **D9/435; D9/452**

[58] Field of Search **D9/435, 452; 220/200, 220/306; 229/5.5, 901**

[56] **References Cited**

U.S. PATENT DOCUMENTS

D. 82,247 10/1930 Campbell D9/435

- D. 239,818 5/1976 Vatne D9/435 X
- D. 254,958 5/1980 Dugan et al. D9/435
- D. 257,939 1/1981 Conti D9/435 X
- D. 260,844 9/1981 Conti D9/435 X
- D. 267,703 1/1983 Chase et al. D9/435

Primary Examiner—Bernard Ansher
Assistant Examiner—Dominic Simone
Attorney, Agent, or Firm—Stevens, Davis, Miller & Mosher

[57] **CLAIM**

The ornamental design for a carton lid, as shown.

DESCRIPTION

FIG. 1 is a top perspective view of a carton lid showing our new design, the carton shown in broken lines for illustrative purposes only;

FIG. 2 is a top perspective view thereof;

FIG. 3 is a top view of the lid;

FIG. 4 is a bottom view of the lid;

FIG. 5 is a side view of the lid; and,

FIG. 6 is an end view of the lid.

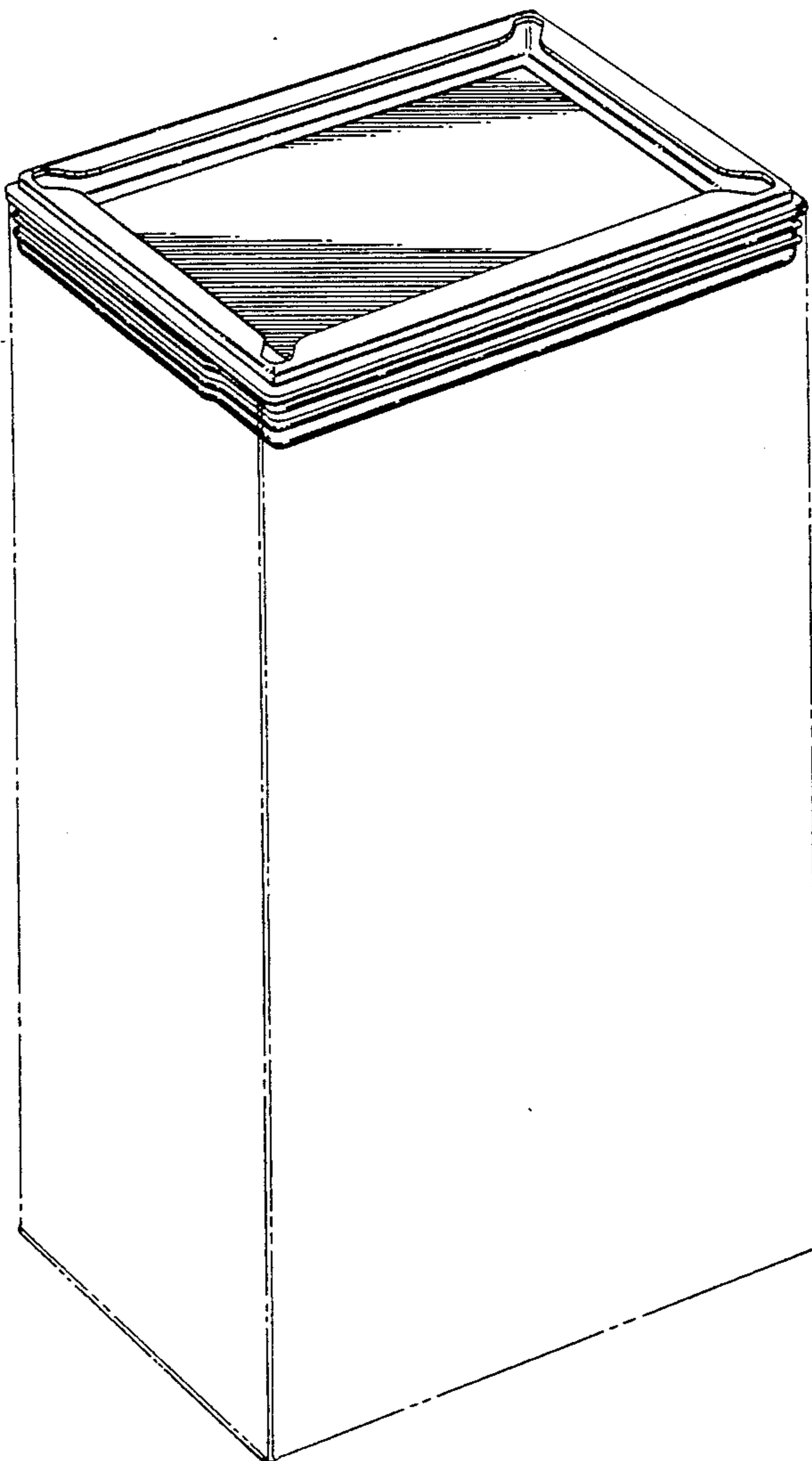


FIG. 1.

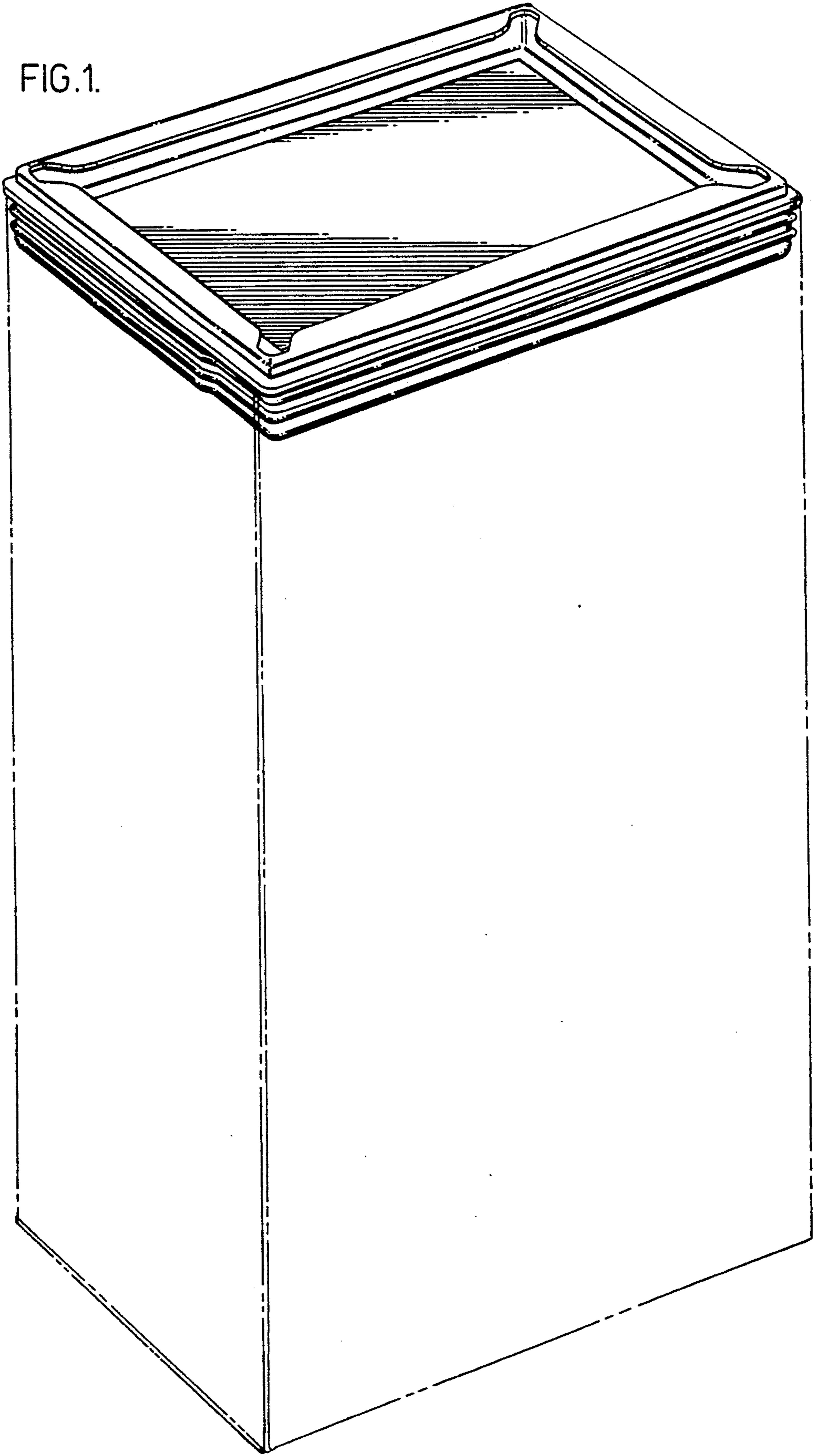


FIG. 2.

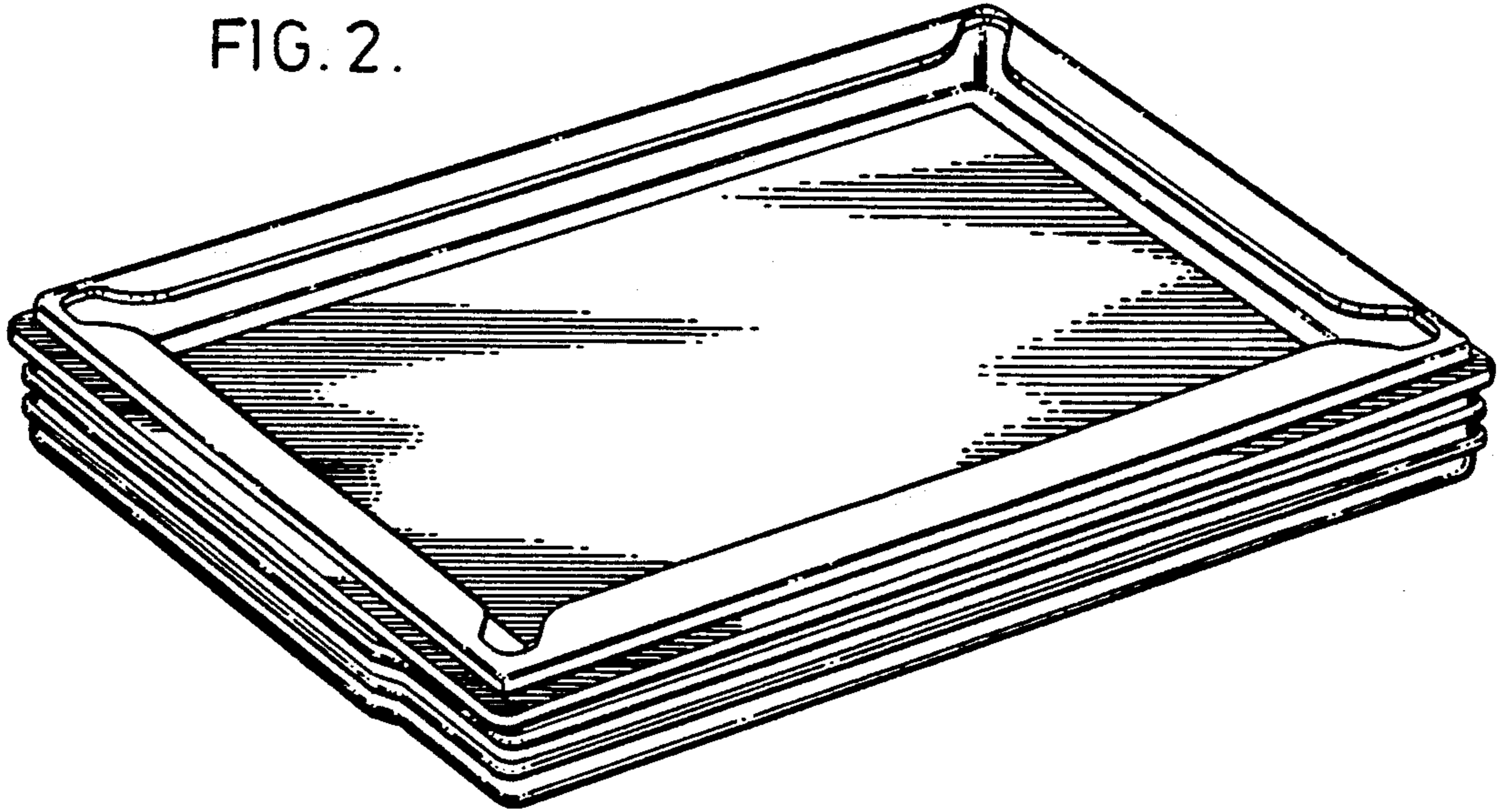


FIG. 3.

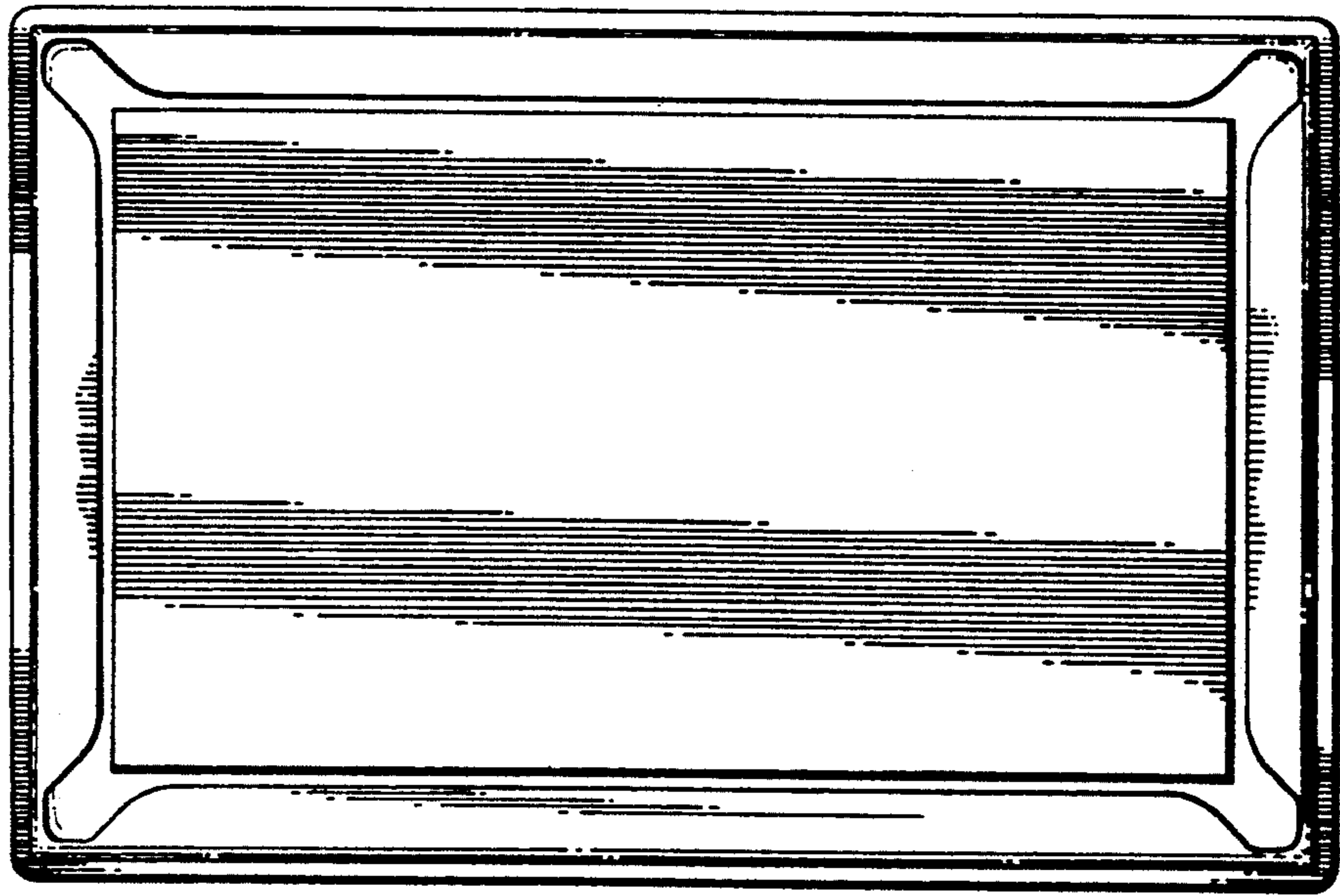


FIG. 4.

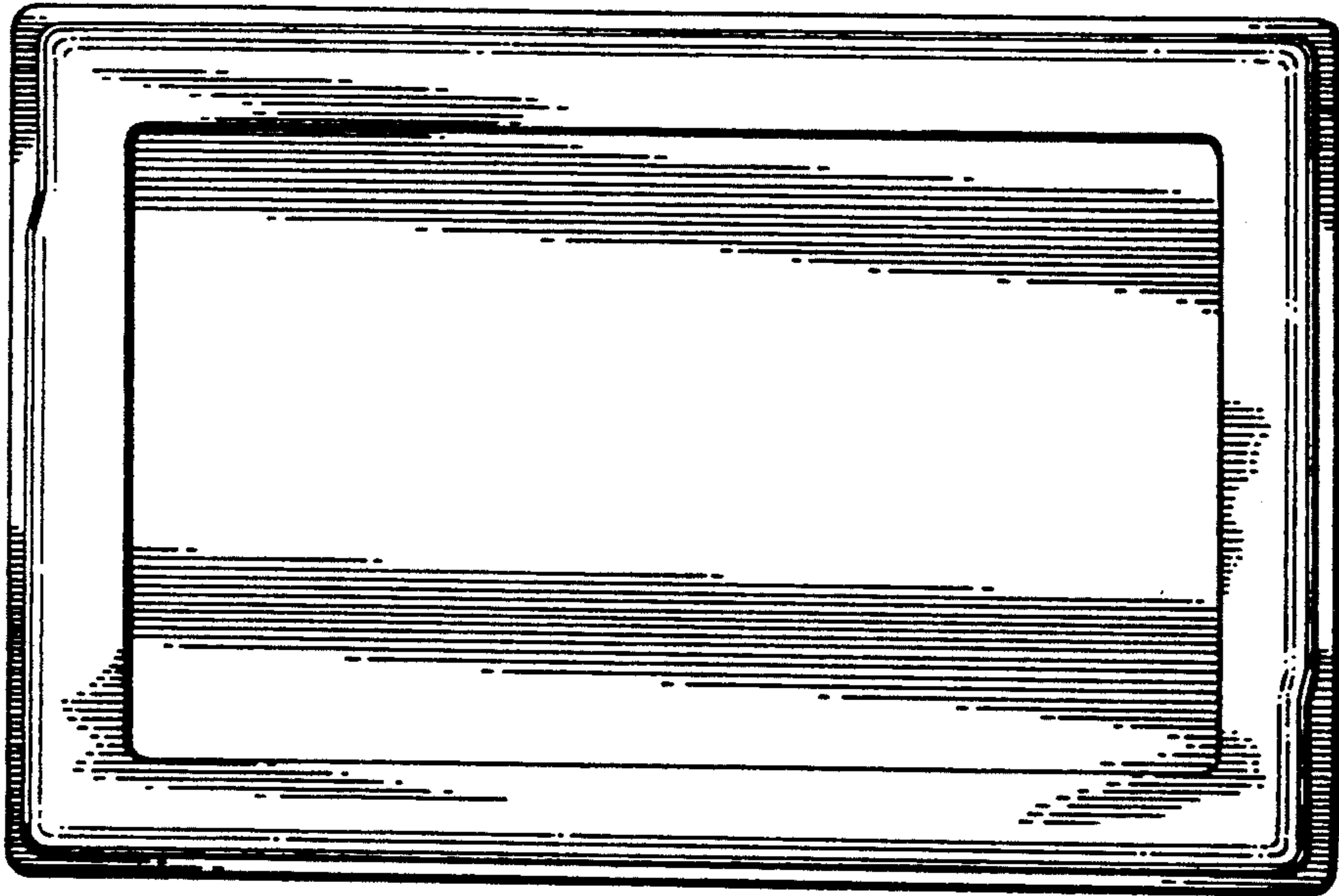


FIG. 5.

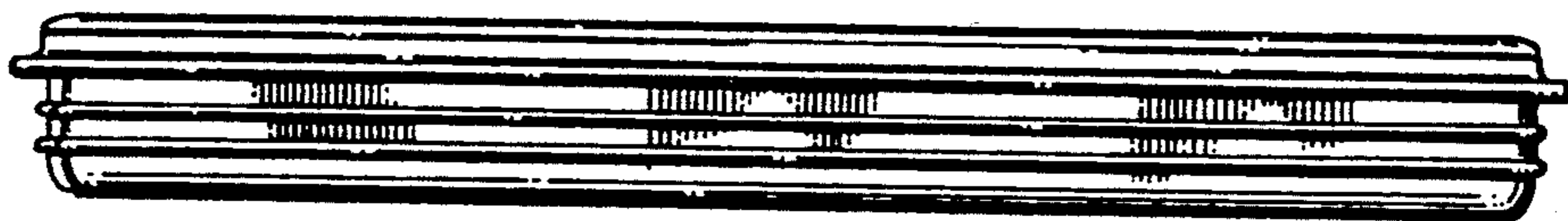


FIG. 6.

